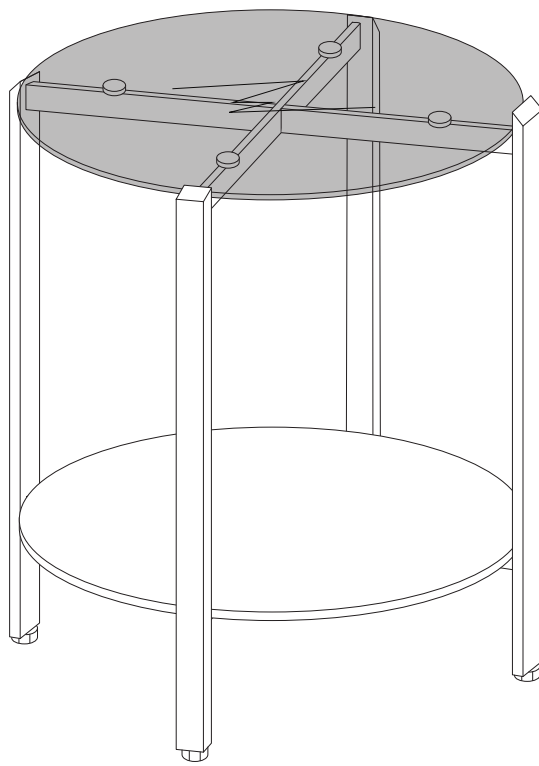


# LOVELL



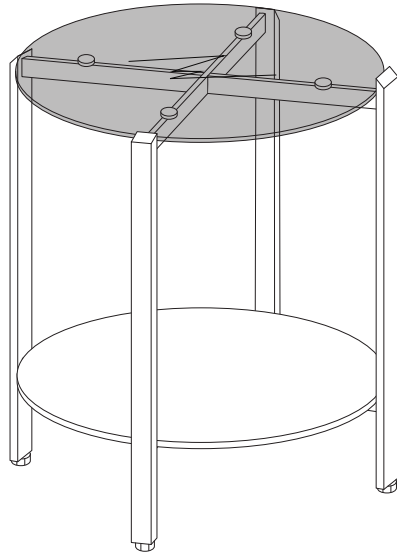


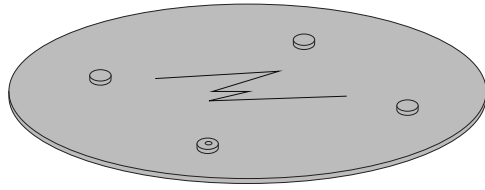
Diagram illustrating assembly steps and safety warnings:

- Step 1:** Shows an L-shaped metal bracket being inserted into a hole. A power drill is shown with a diagonal line through it, indicating that a drill should not be used on this part. A warning triangle with an exclamation mark is positioned above this step.
- Step 2:** Shows a rectangular block being placed on a surface. A power drill is shown with a diagonal line through it, indicating that a drill should not be used on this part. A warning triangle with an exclamation mark is positioned above this step.

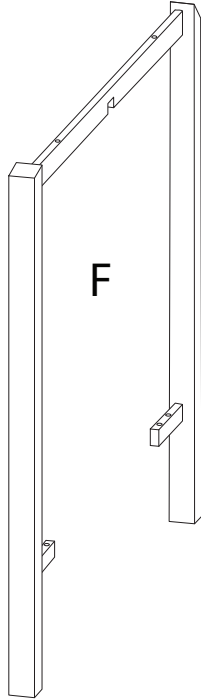
Estimated assembly time: 20'

Number of people required: 2

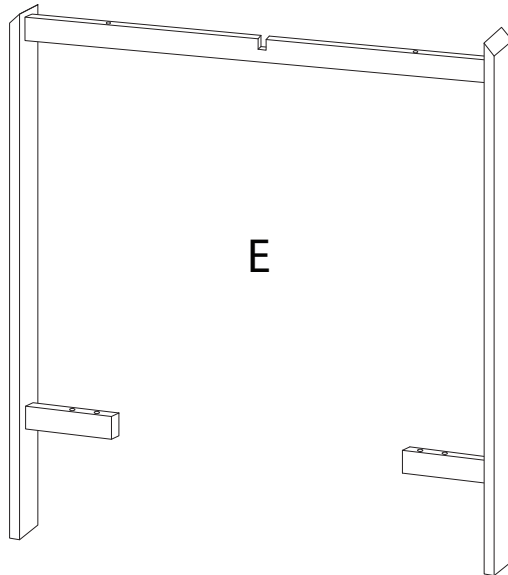
C



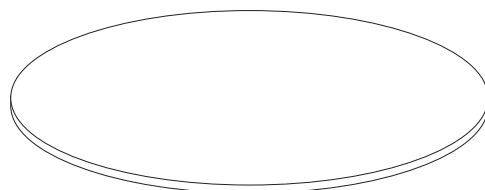
F



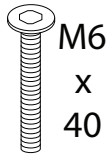
E



D



A



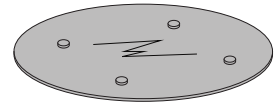
x 8

B



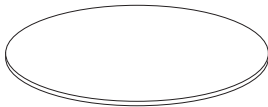
x 1

C



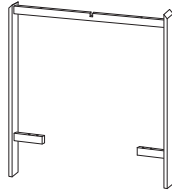
x 1

D



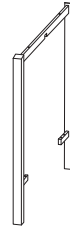
x 1

E



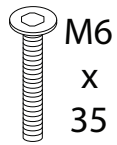
x 1

F



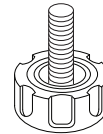
x 1

G



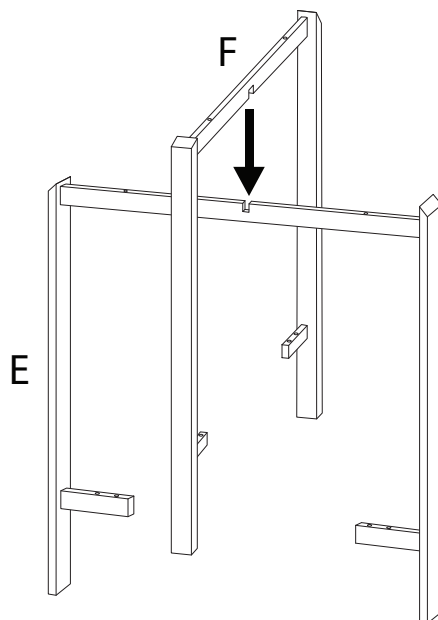
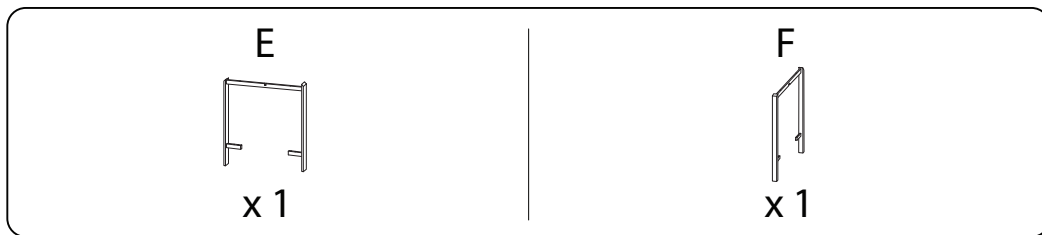
x 4

H

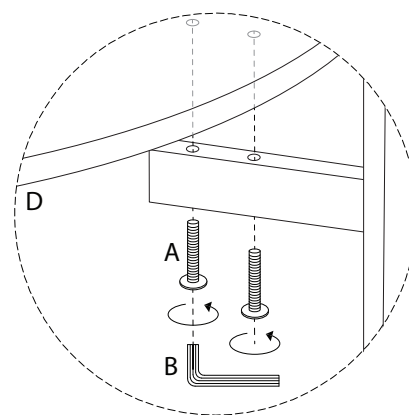
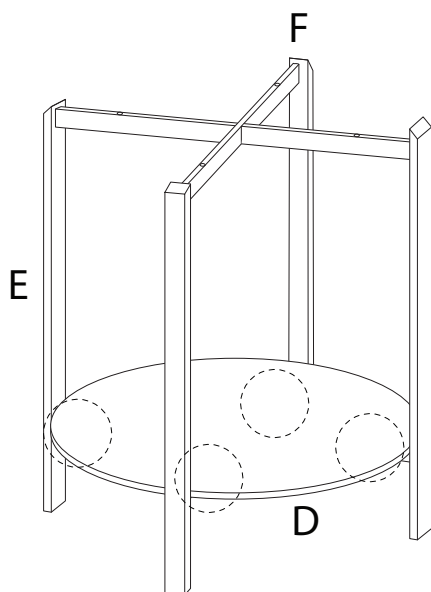
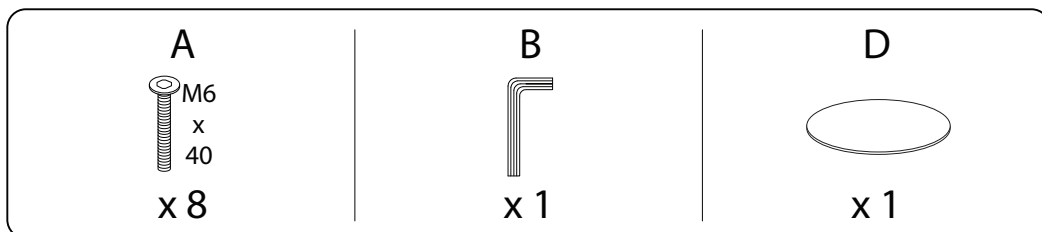


x 4

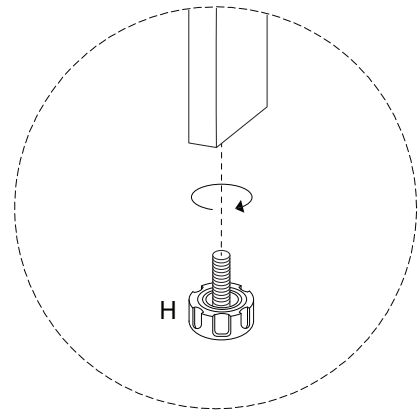
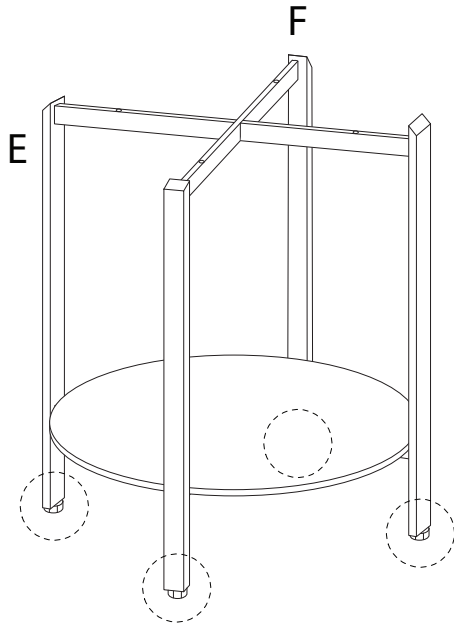
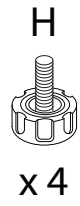
1



2



3



4

