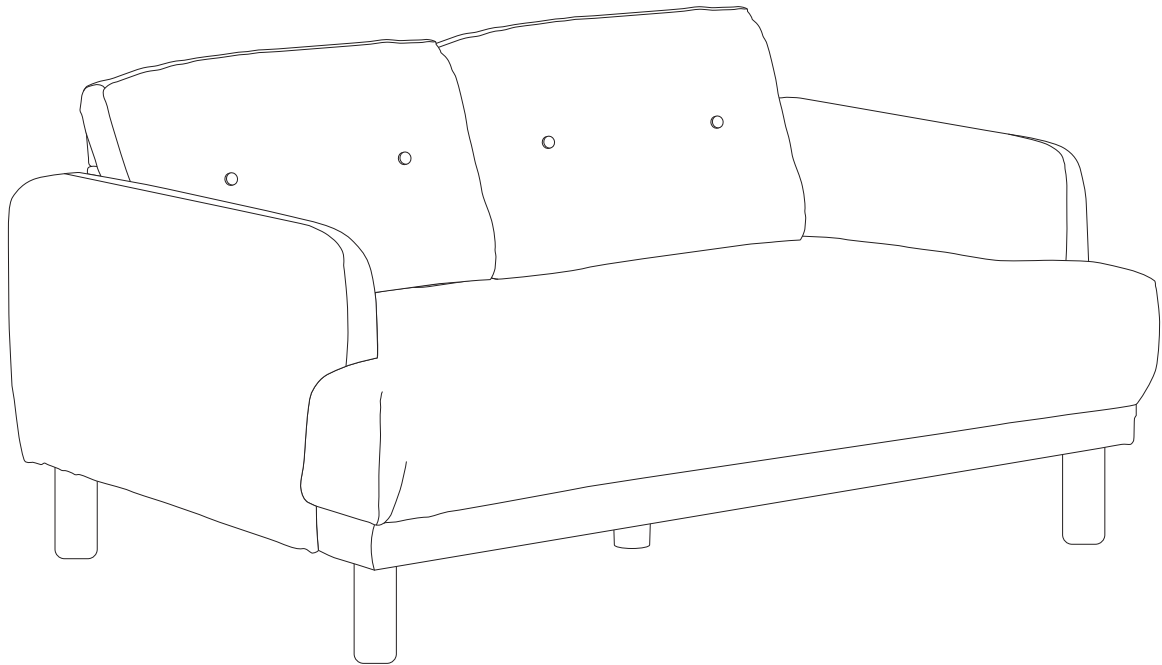
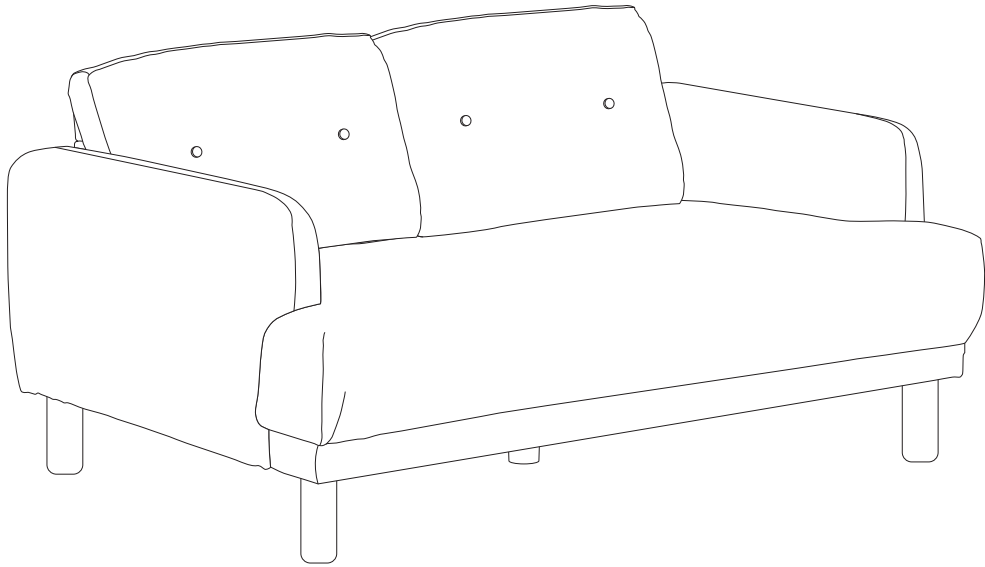
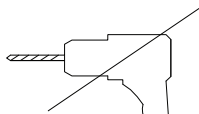

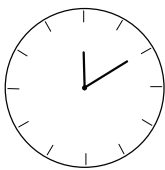
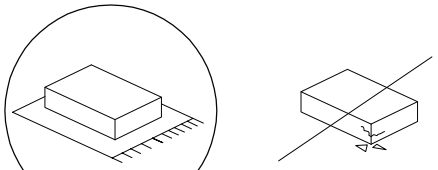


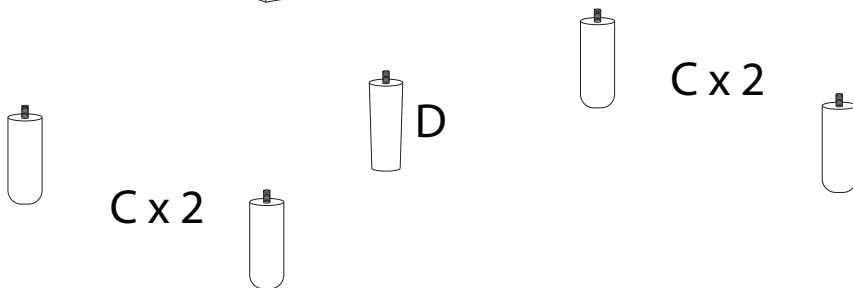
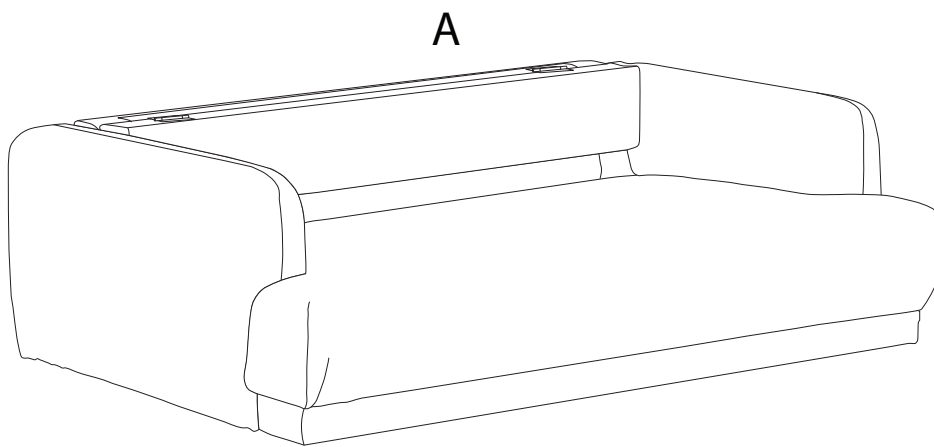
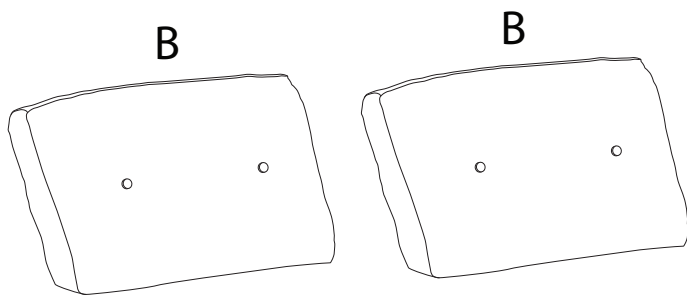


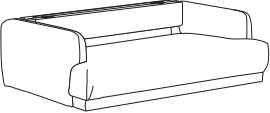
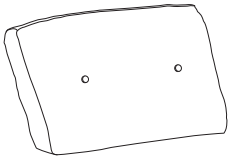


TUVE



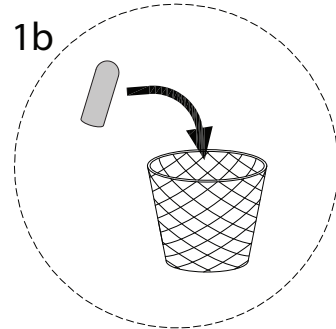
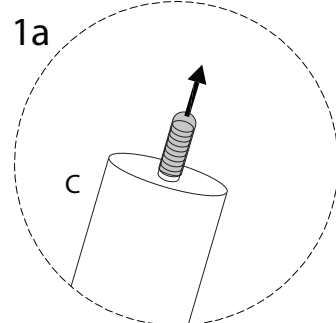
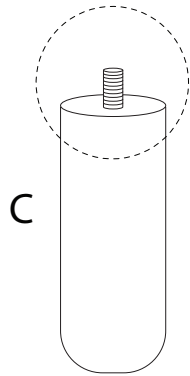


		
		10'
		
		2

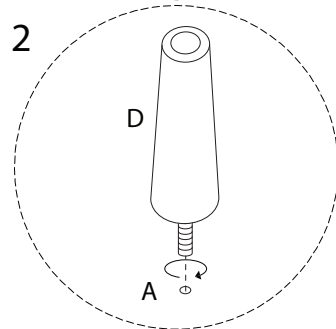
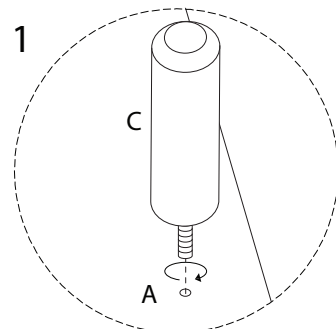
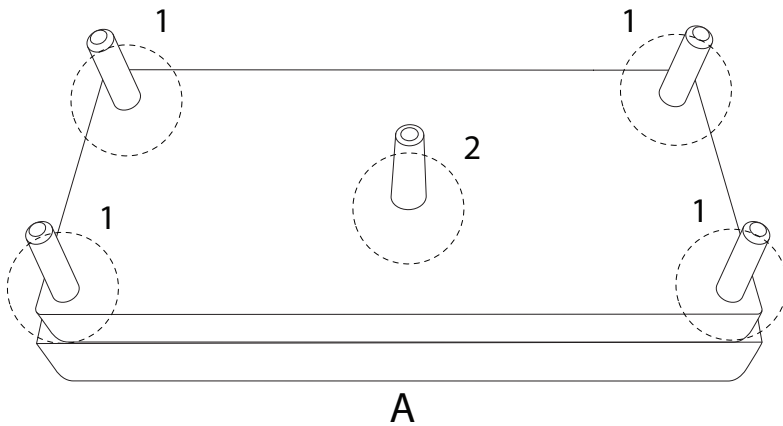
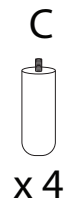
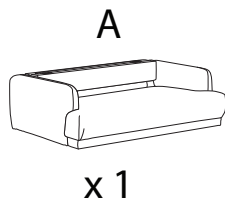


A	B	C	D
			
x 1	x 2	x 4	x 1

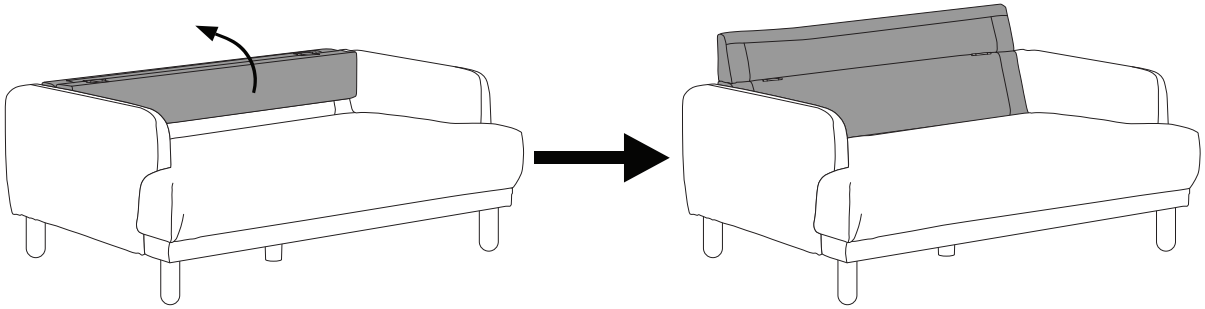
!



1



2



3

