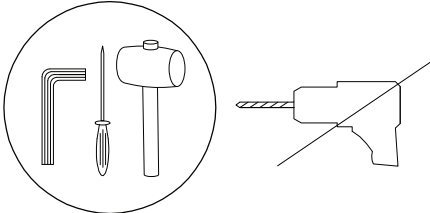

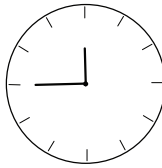
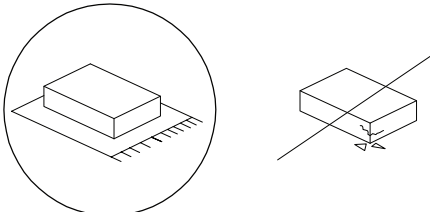




# MINERAL

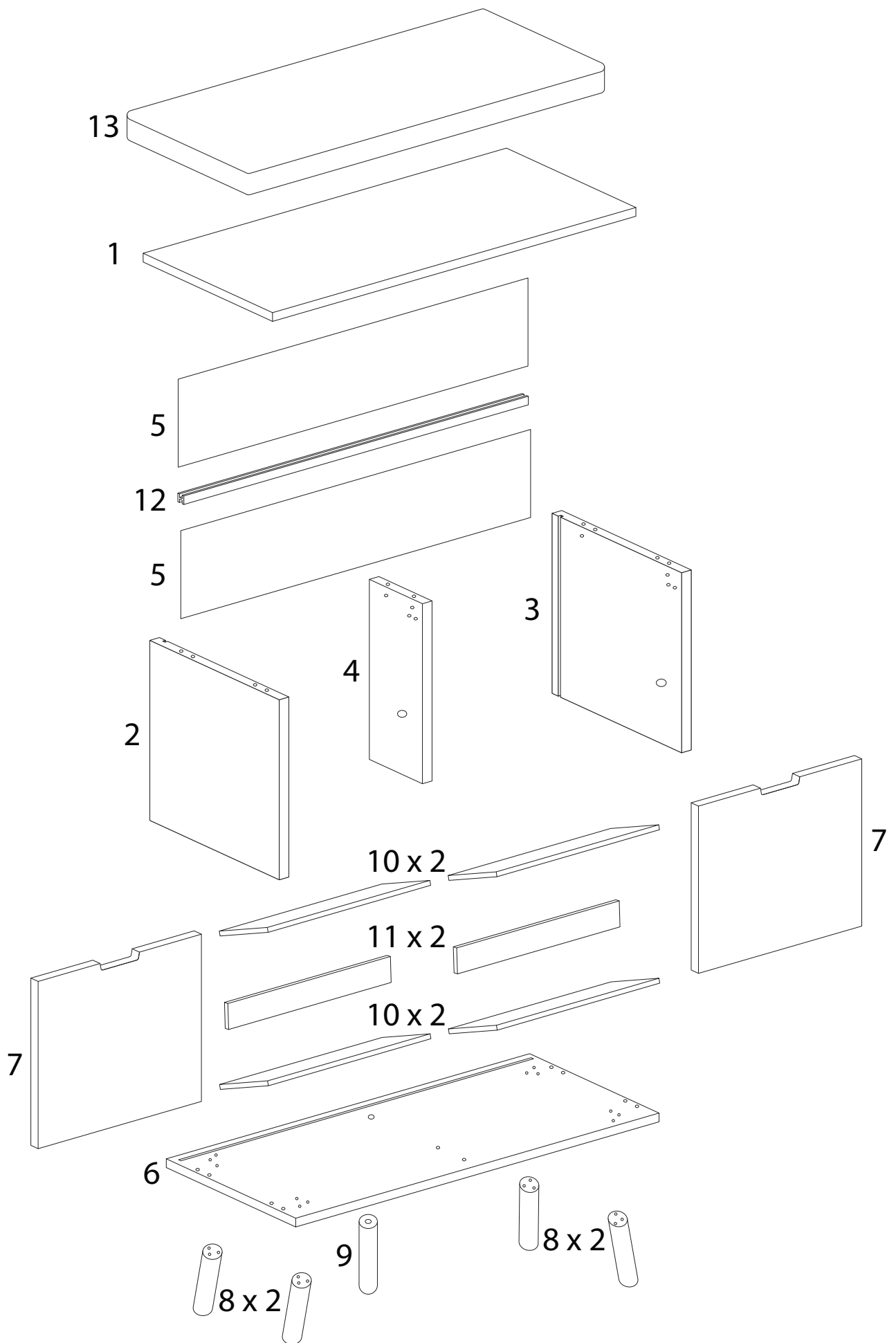




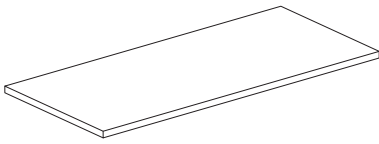
		
		

45'

1

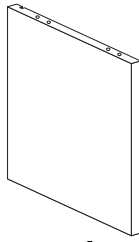


1



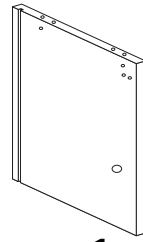
x 1

2



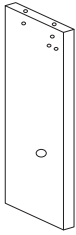
x 1

3



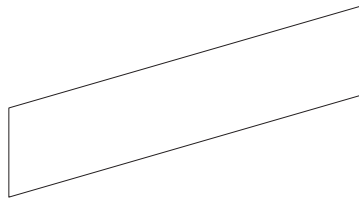
x 1

4



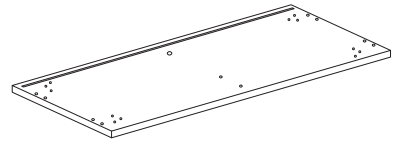
x 1

5



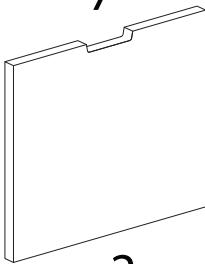
x 2

6



x 1

7



x 2

8



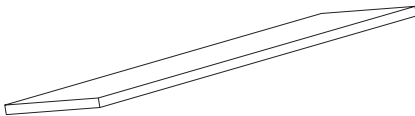
x 4

9



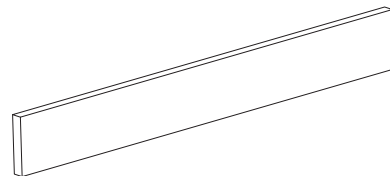
x 1

10



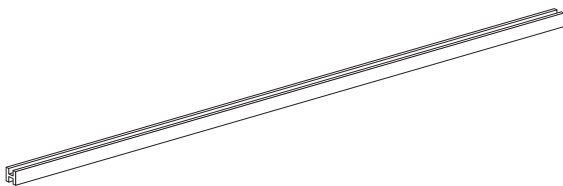
x 4

11



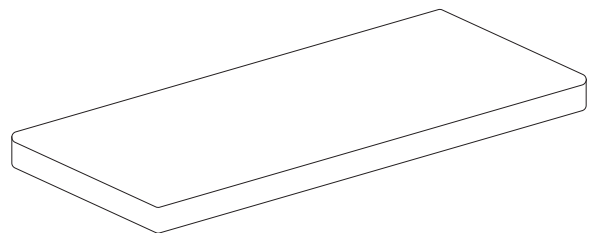
x 2

12



x 1

13



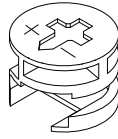
x 1

A



x 6

B



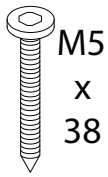
x 6

C



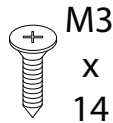
x 8

D



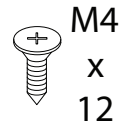
x 18

E



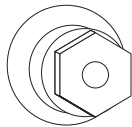
x 12

F



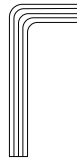
x 4

G



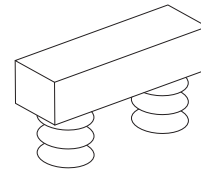
x 4

H



x 1

I<sub>1</sub>



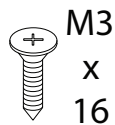
x 4

I<sub>2</sub>



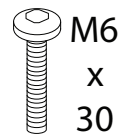
x 4

J



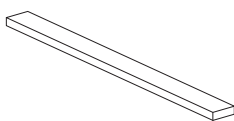
x 12

K



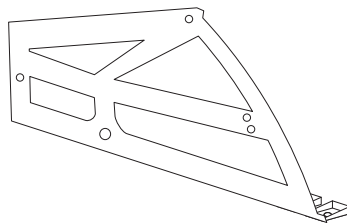
x 1

L



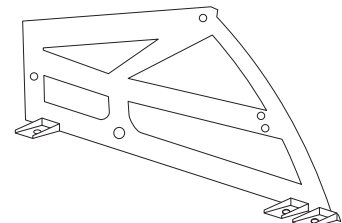
x 3

M



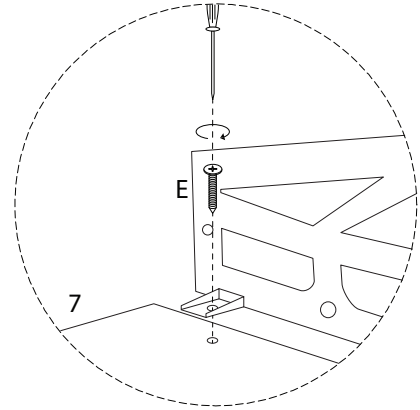
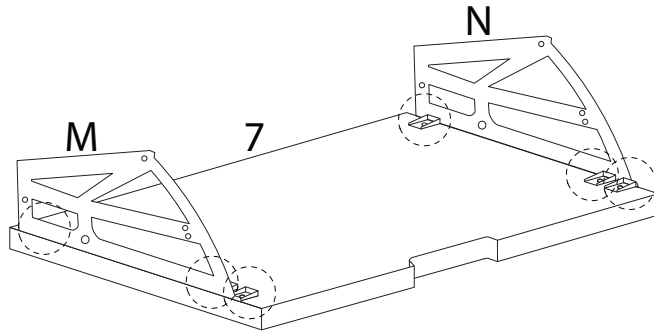
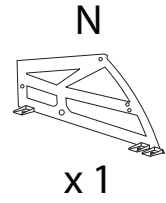
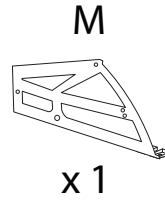
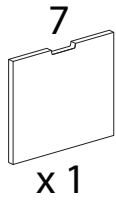
x 2

N

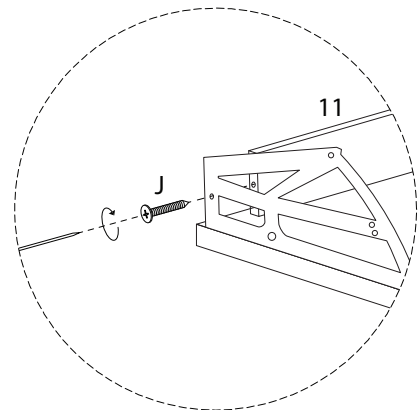
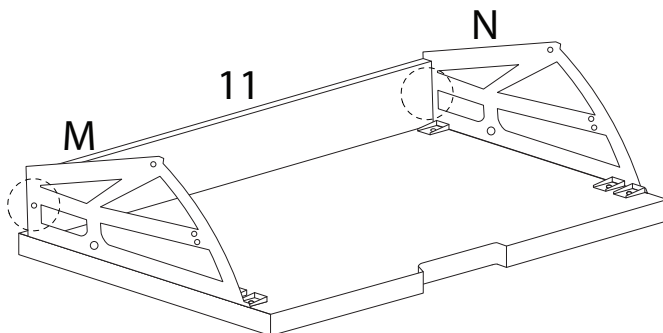
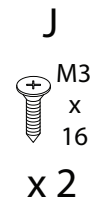
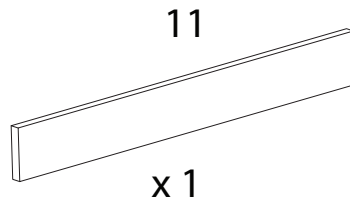


x 2

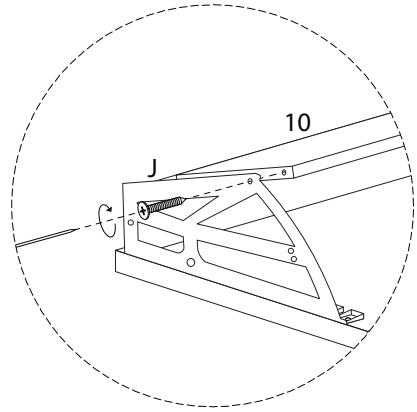
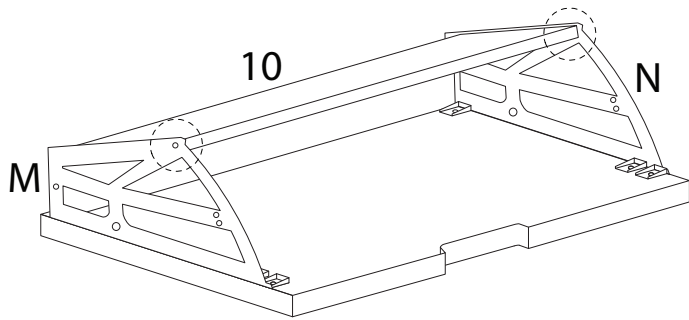
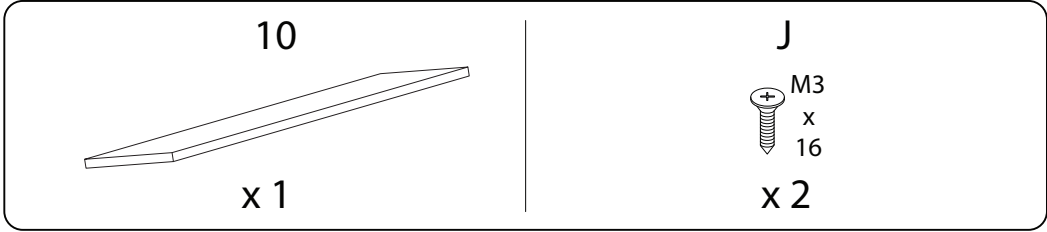
1 x 2



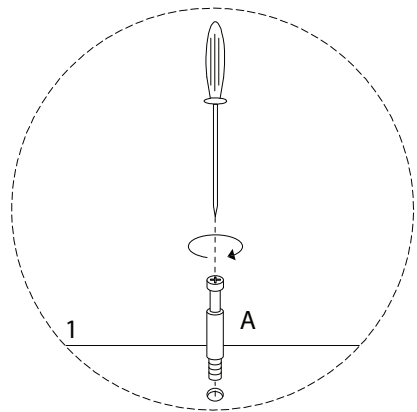
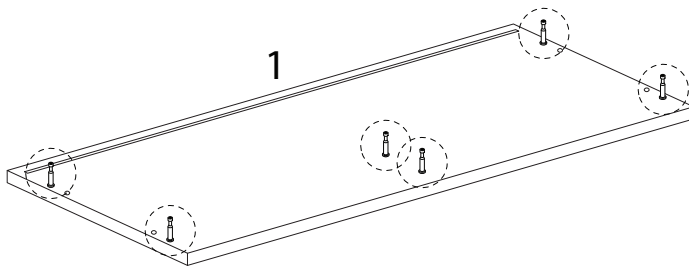
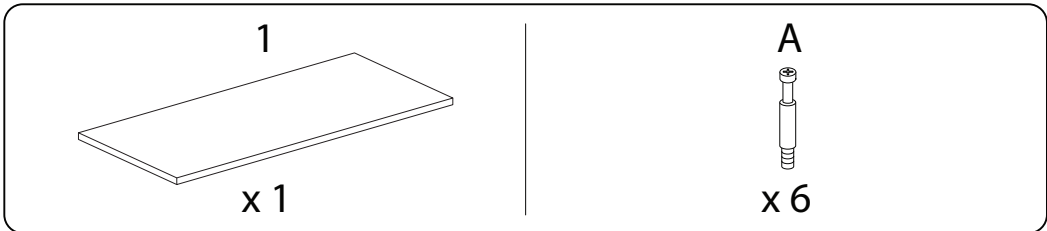
2 x 2



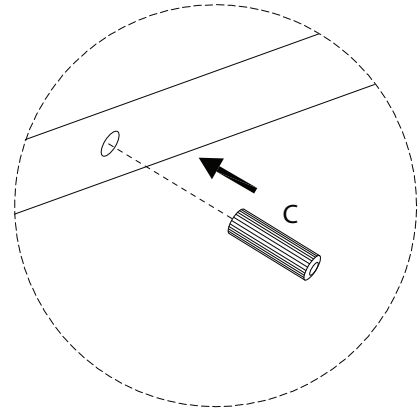
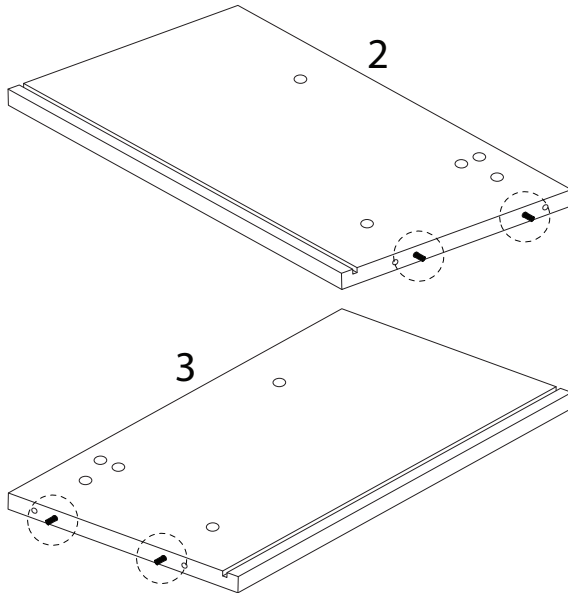
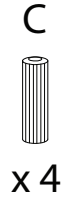
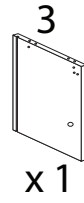
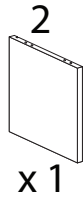
3 x 2



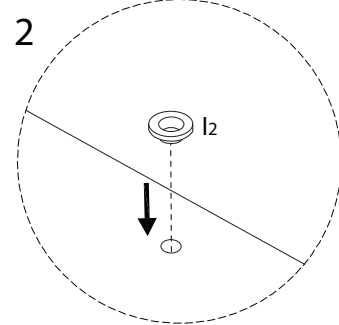
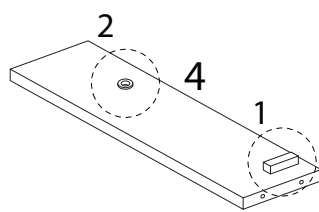
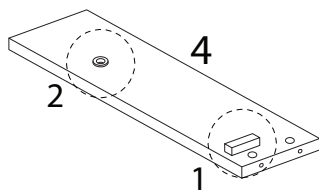
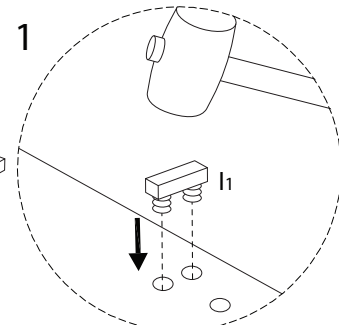
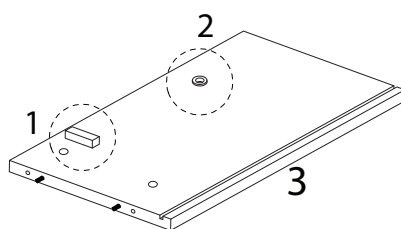
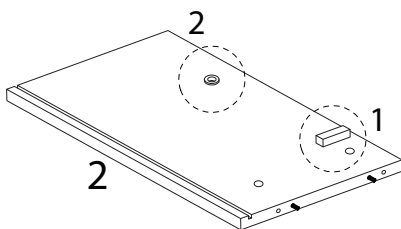
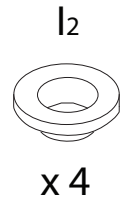
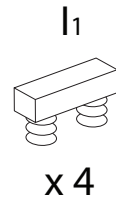
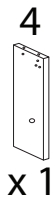
4



5

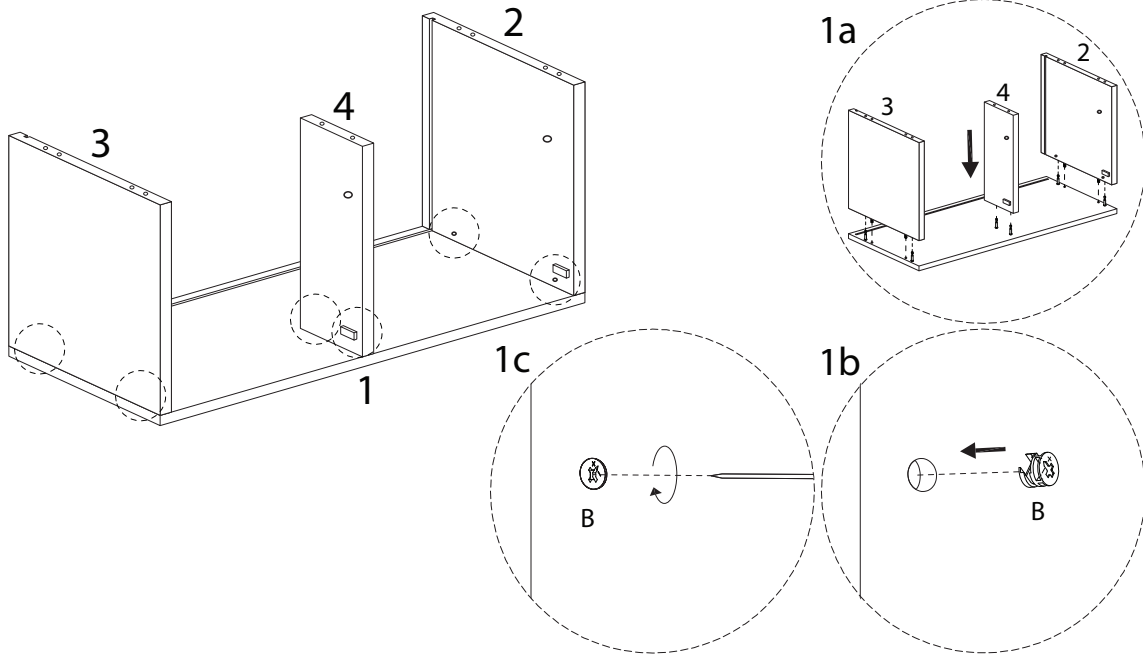


6

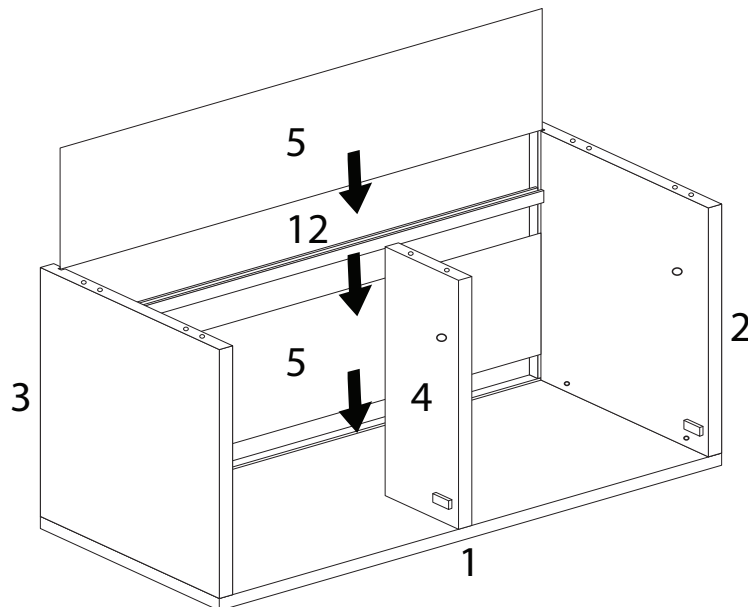
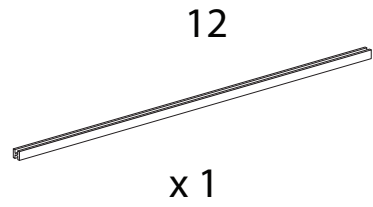
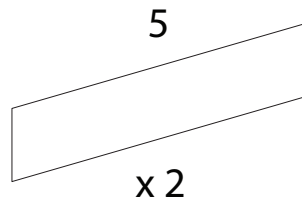




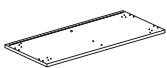
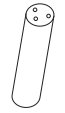

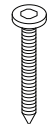
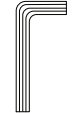
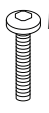
7

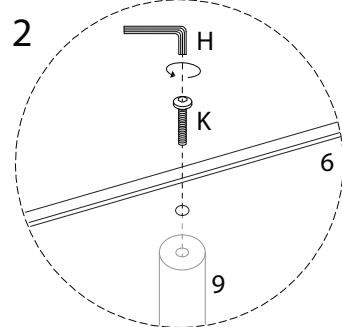
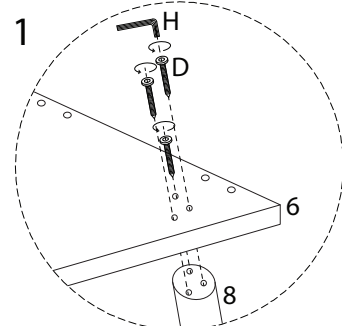
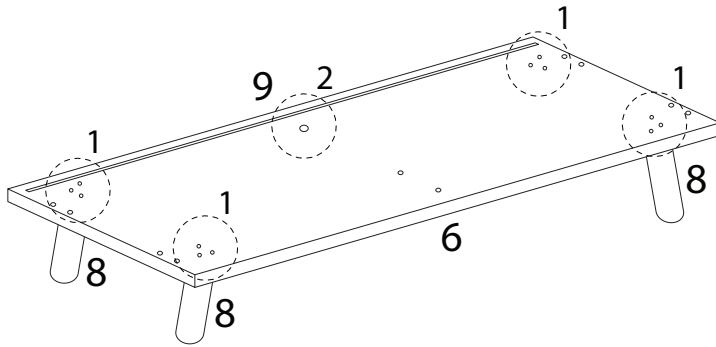


8

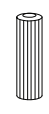


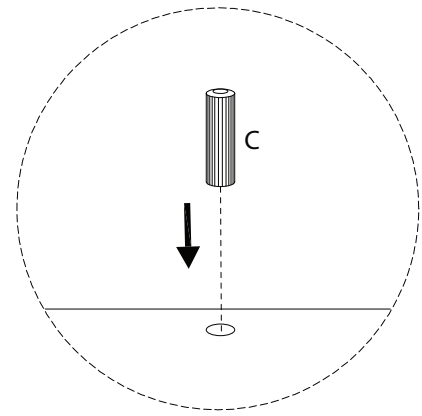
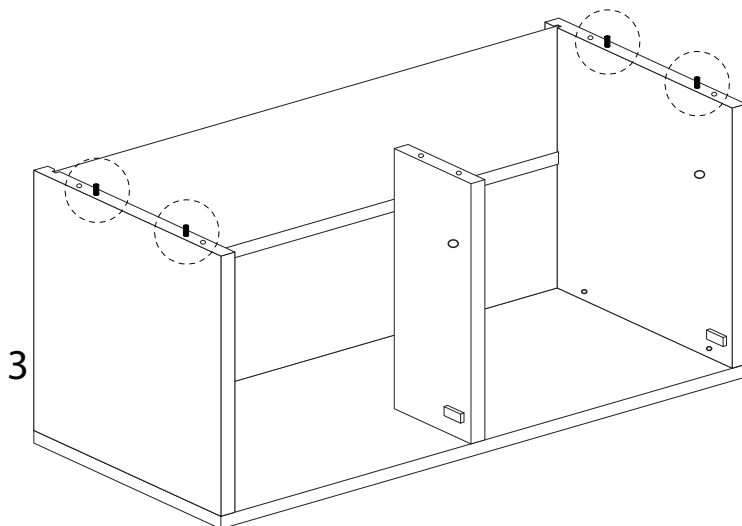
9

<b>6</b>  x 1	<b>8</b>  x 4	<b>9</b>  x 1	<b>D</b> M5 x 38  x 12	<b>H</b>  x 1	<b>K</b> M6 x 30  x 1
------------------------------------------------------------------------------------------------------	------------------------------------------------------------------------------------------------------	------------------------------------------------------------------------------------------------------	---------------------------------------------------------------------------------------------------------------------	--------------------------------------------------------------------------------------------------------	----------------------------------------------------------------------------------------------------------------------

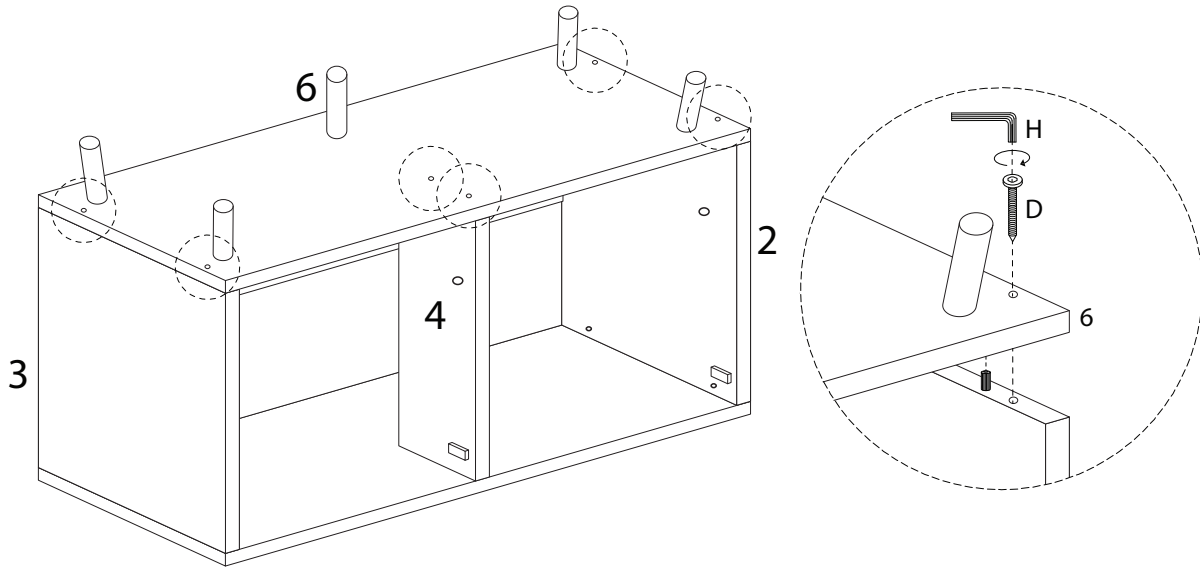
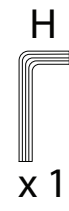
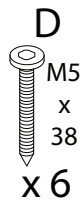


10

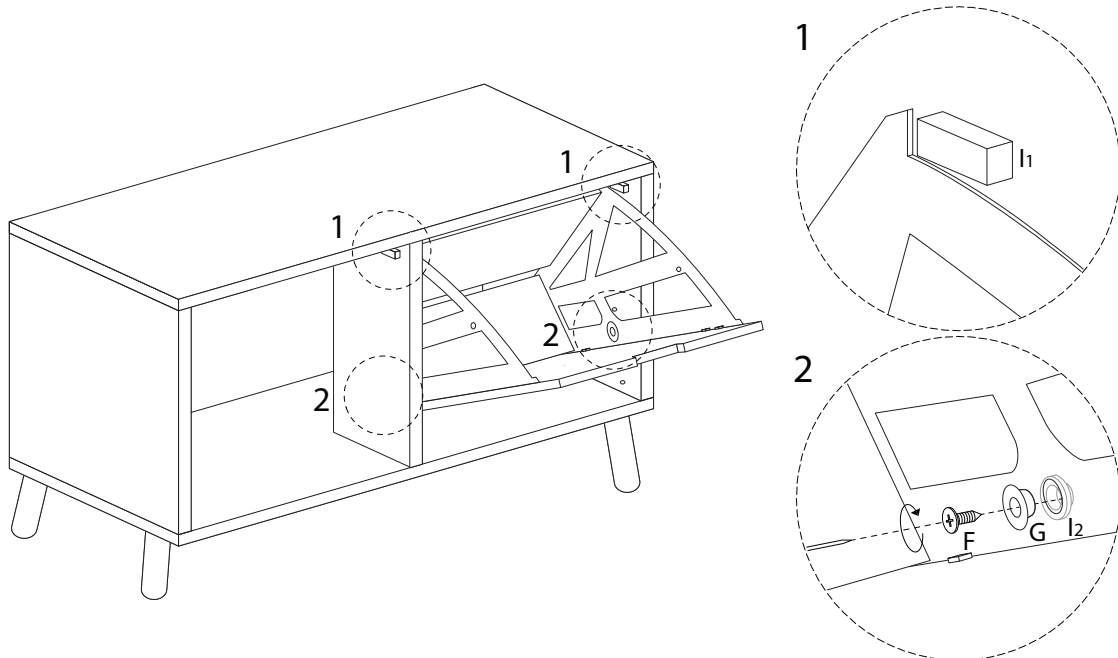
<b>C</b>  x 4
--------------------------------------------------------------------------------------------------------



11

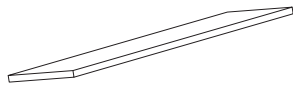


12



13

10

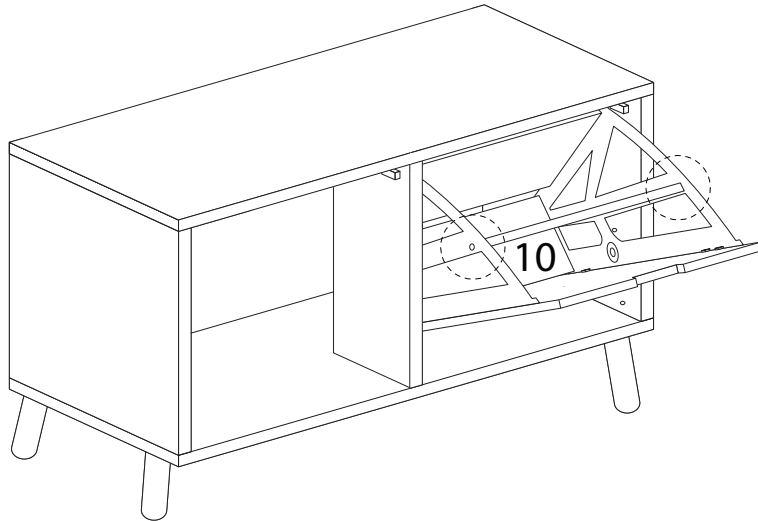


x 1

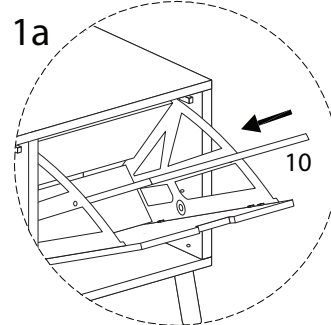
J



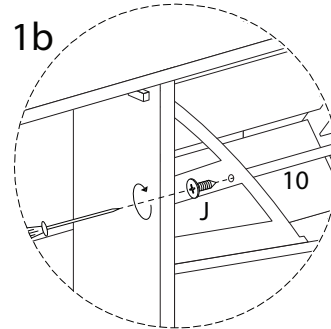
x 2



1a



1b



14

F

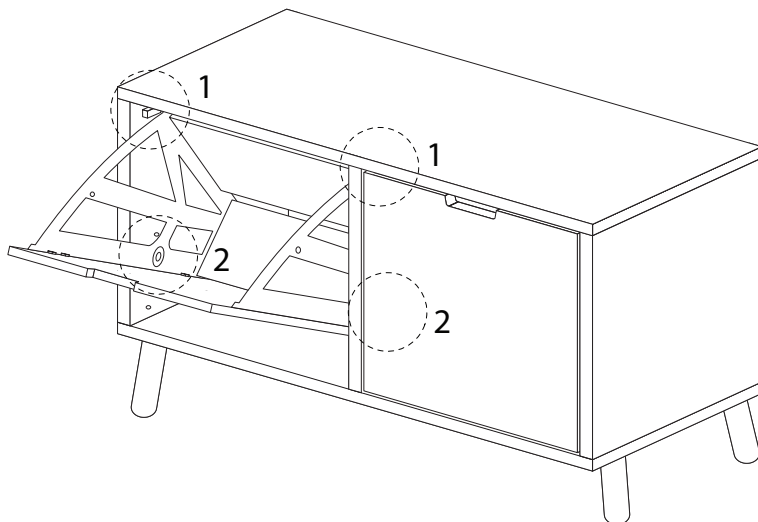


x 2

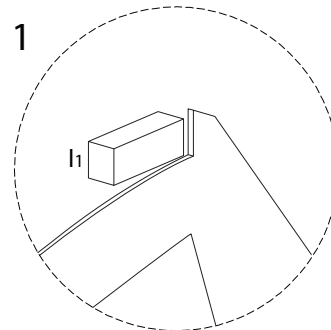
G



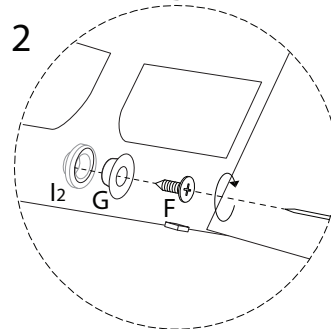
x 2



1

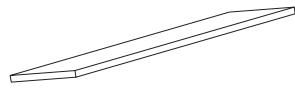


2



15

10

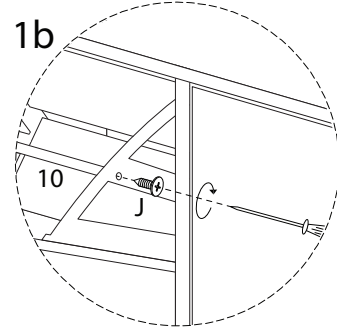
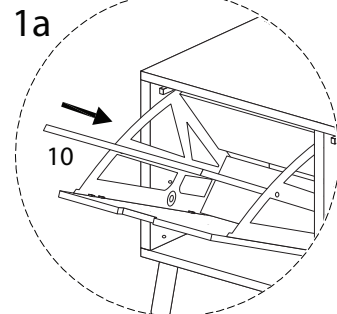
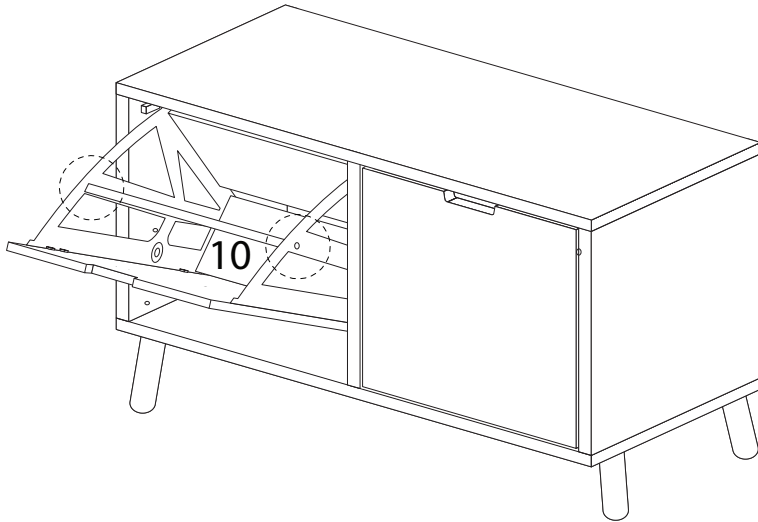


x 1

J

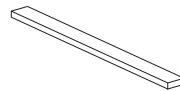


x 2

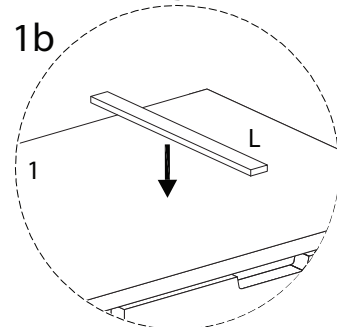
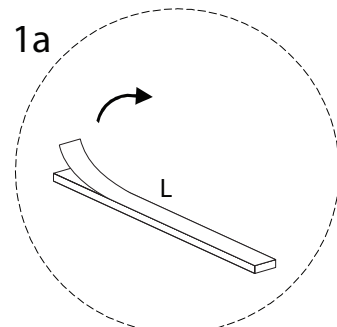
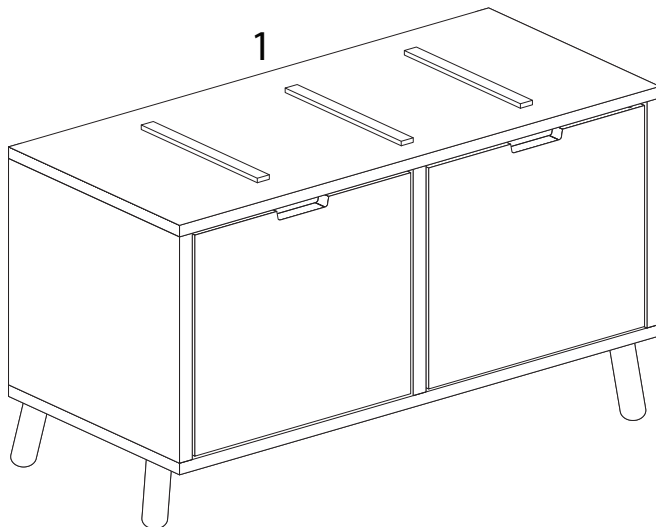


16

L



x 2



17

