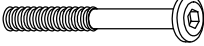

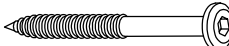
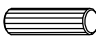


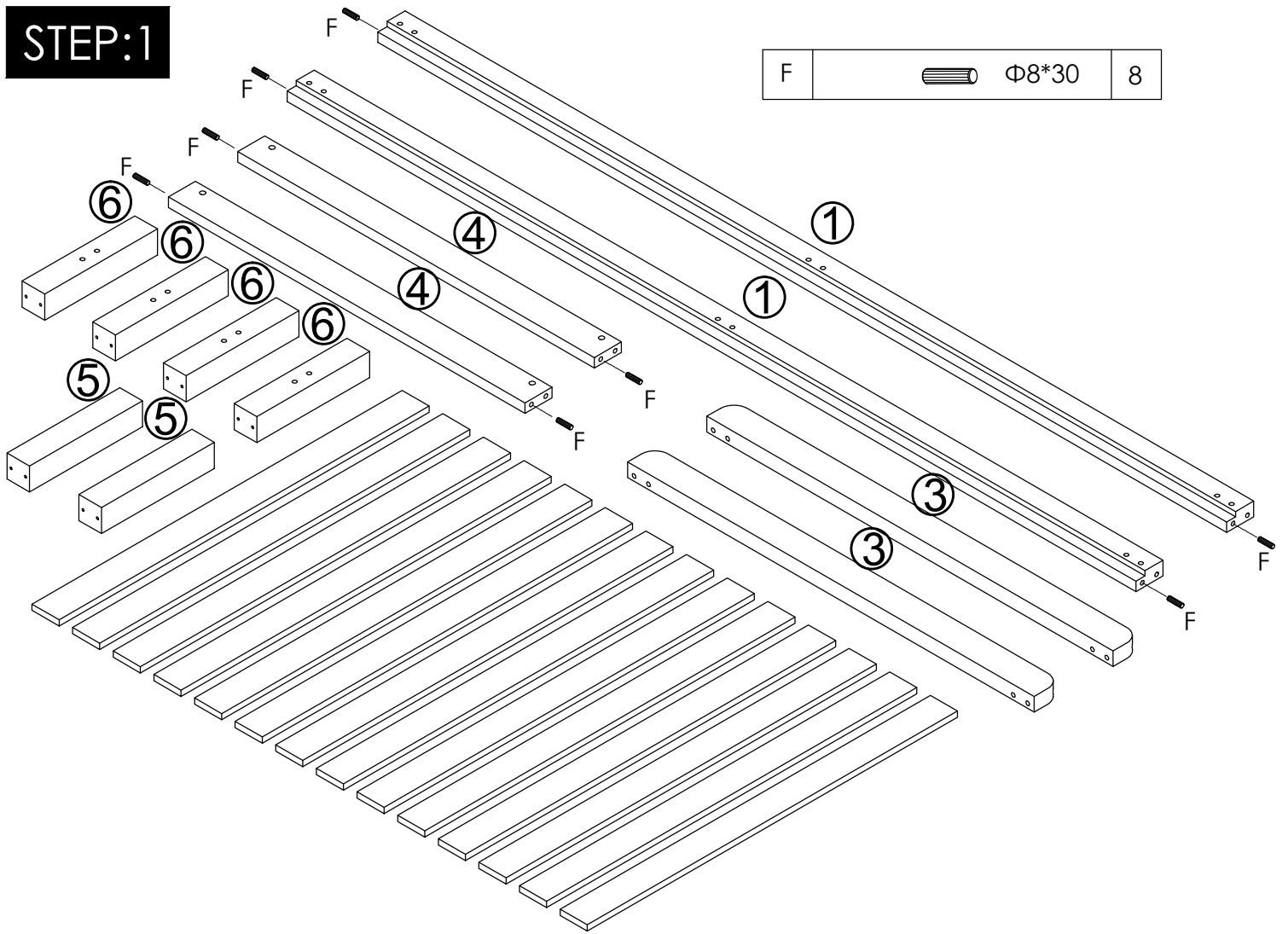
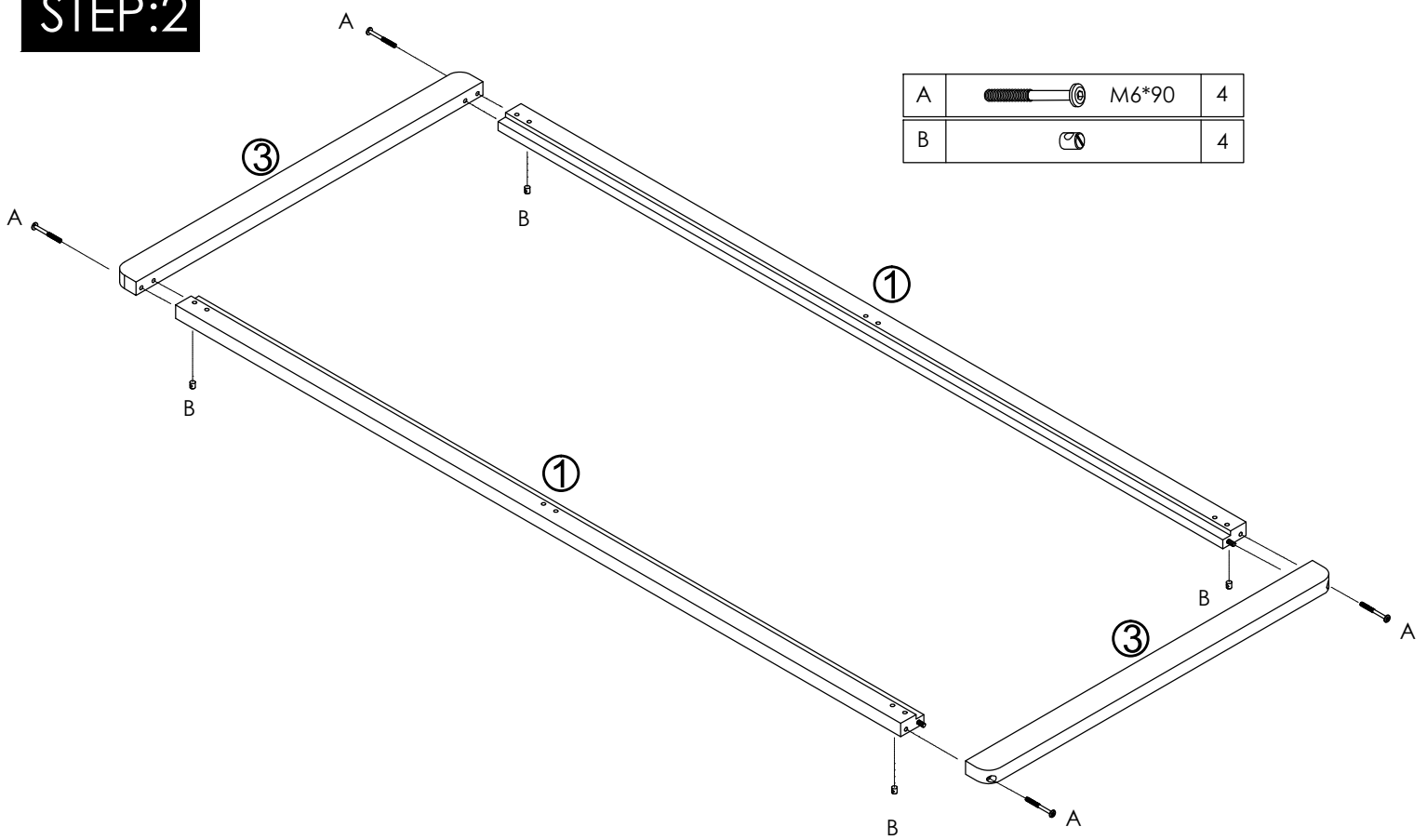


A		M6*90	8
B			8
C		Φ6*70	12
E		Φ8*30	8
F		4*30	26
G			1

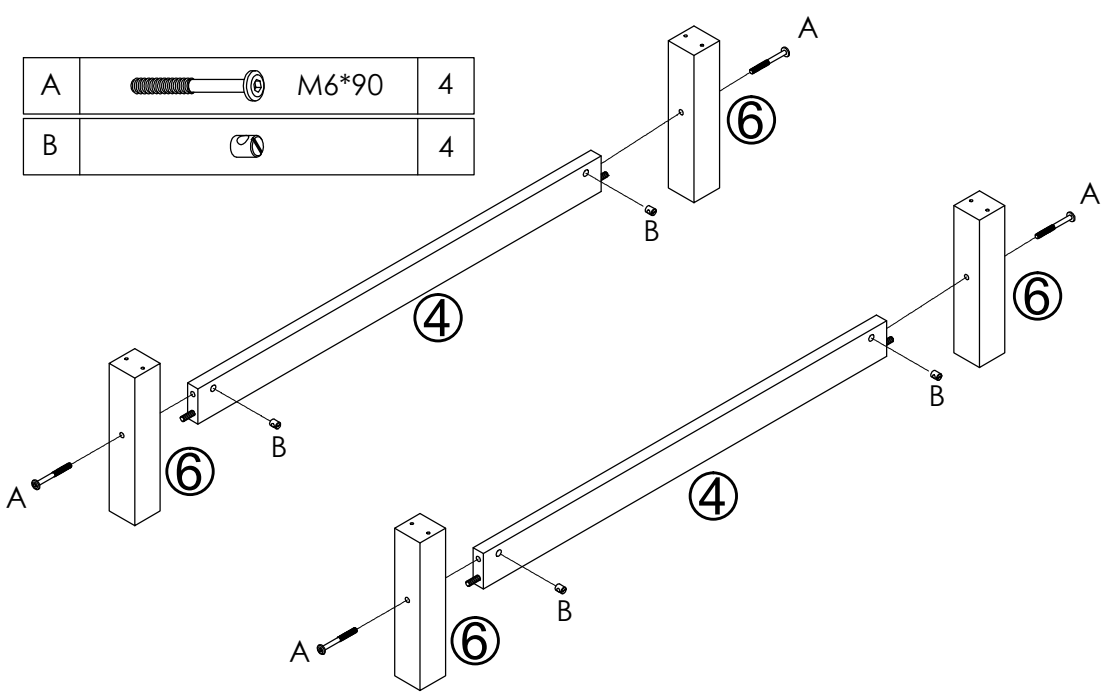
# STEP:1



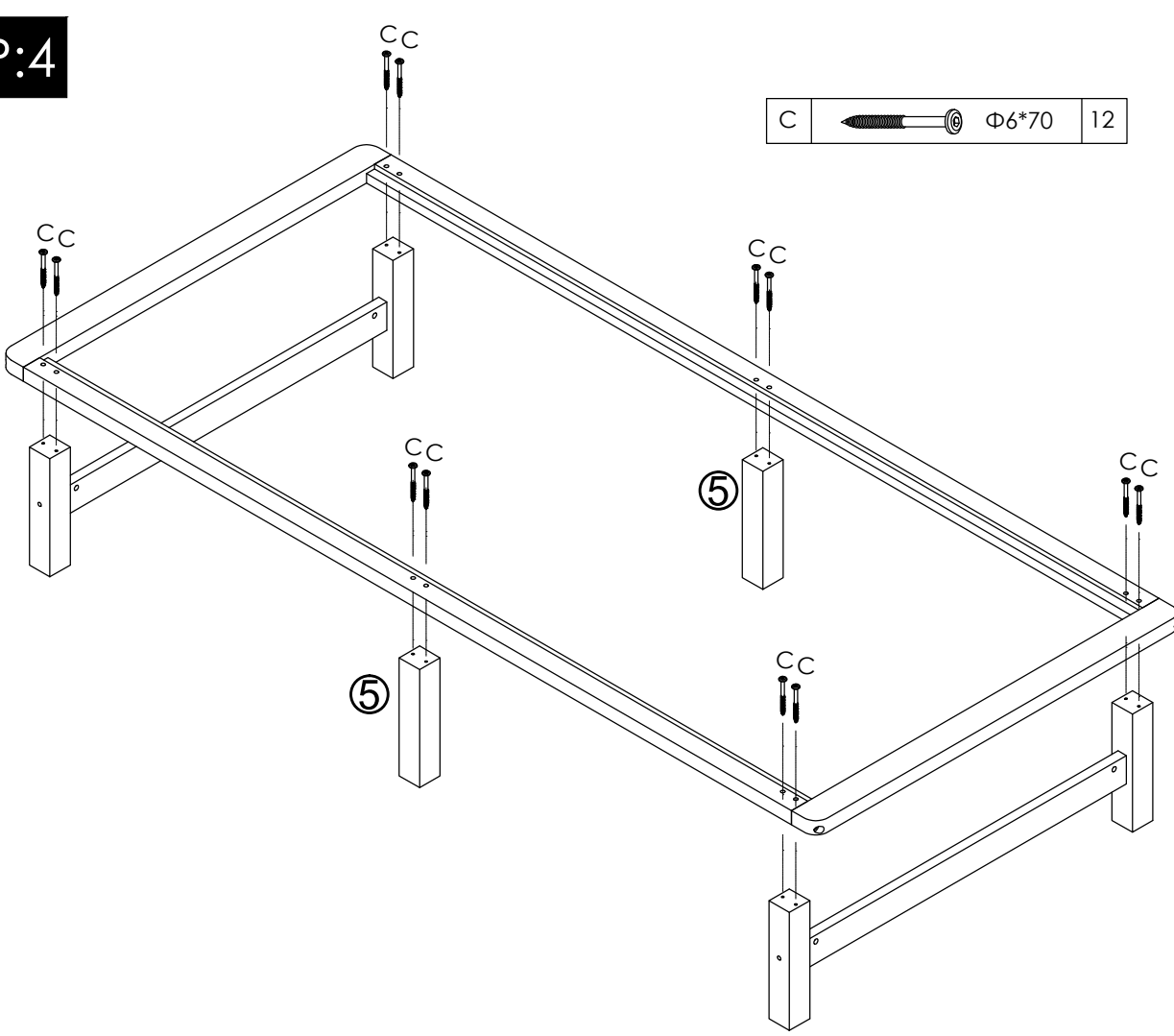
# STEP:2



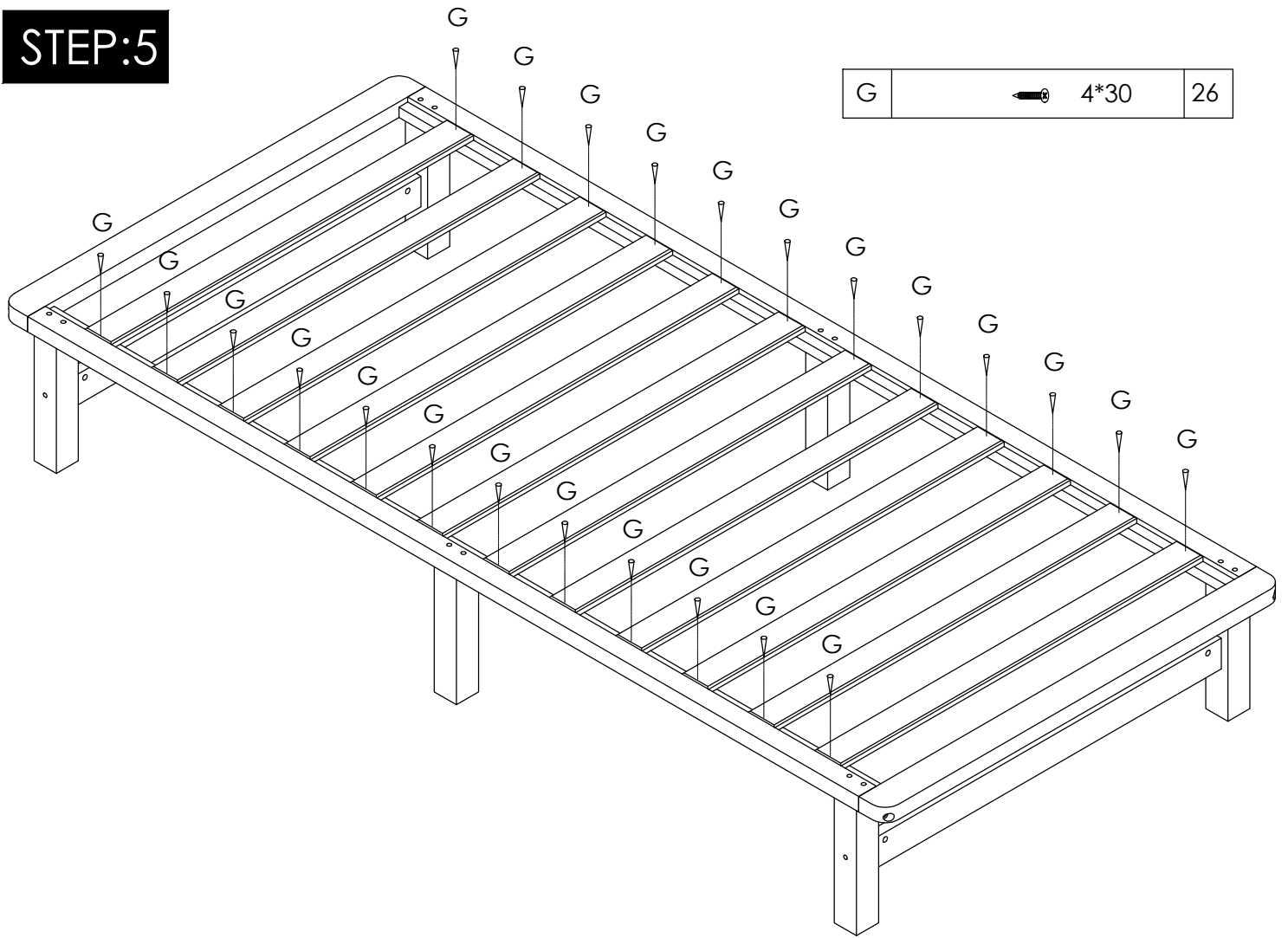
# STEP:3

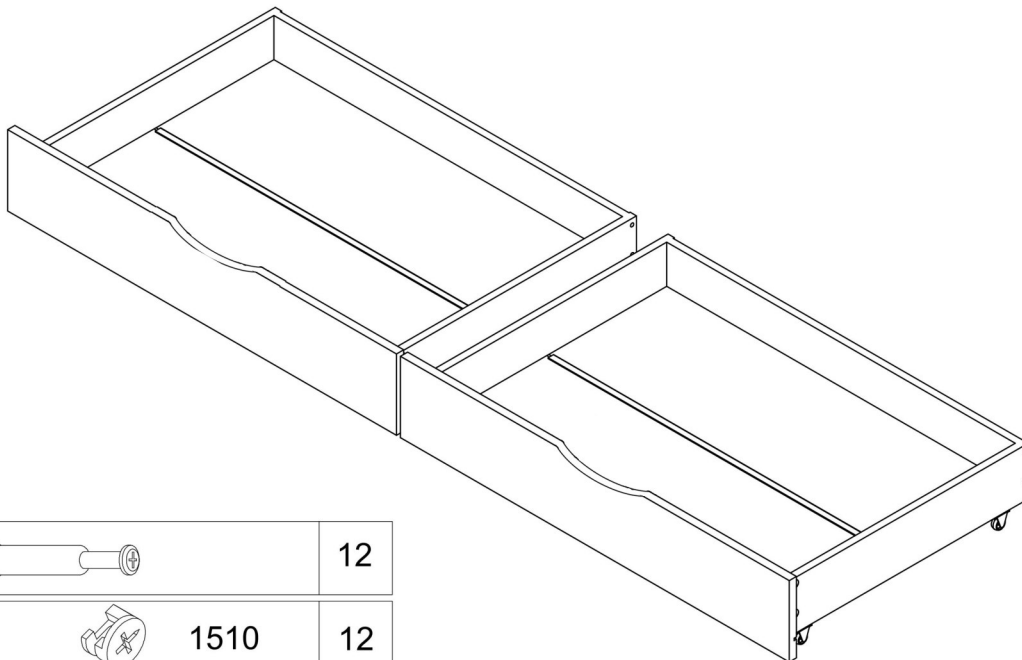










# STEP:4



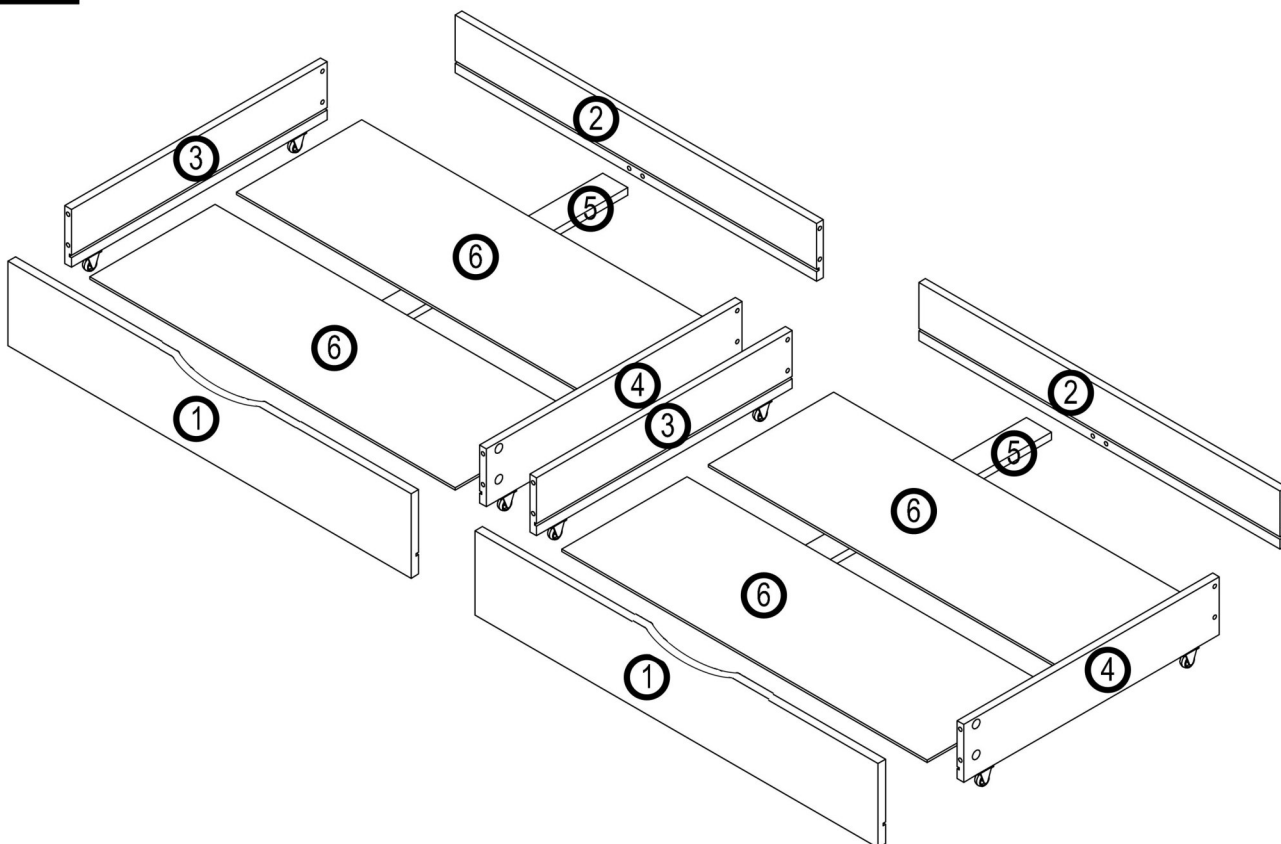
**STEP:5**



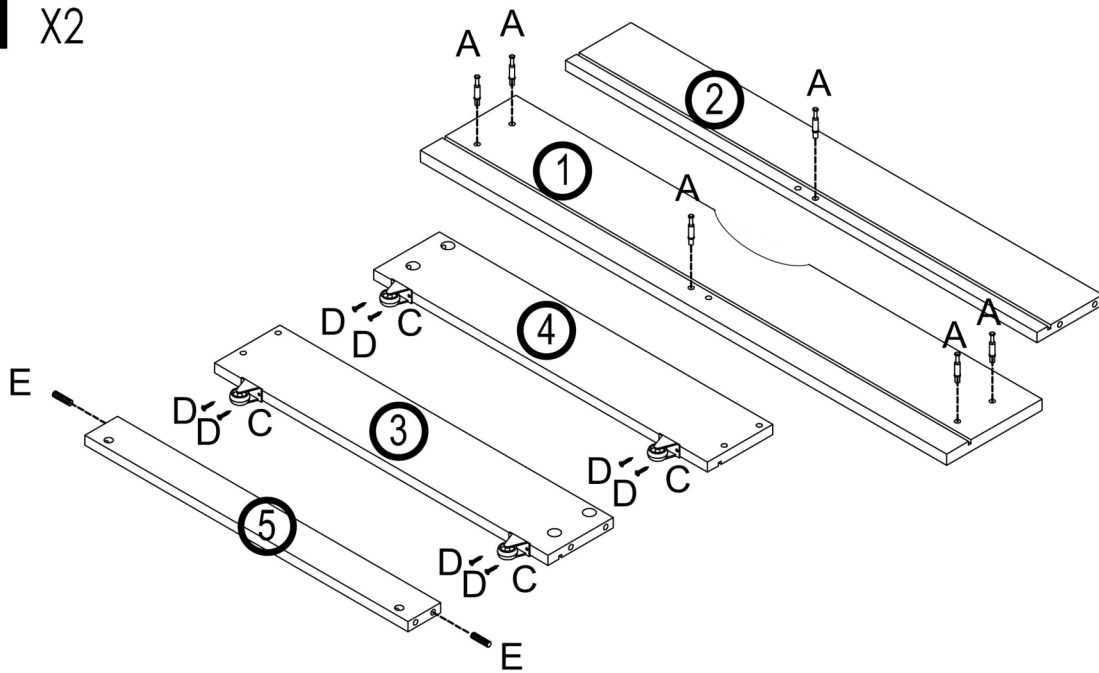


A			12
B		1510	12
C		35 mm	8
D		3 x 16	16
E		Ø8 x 30	4
F		Ø7 x 50	8
N		700mm	2
J		4 mm	1

**STEP:1**

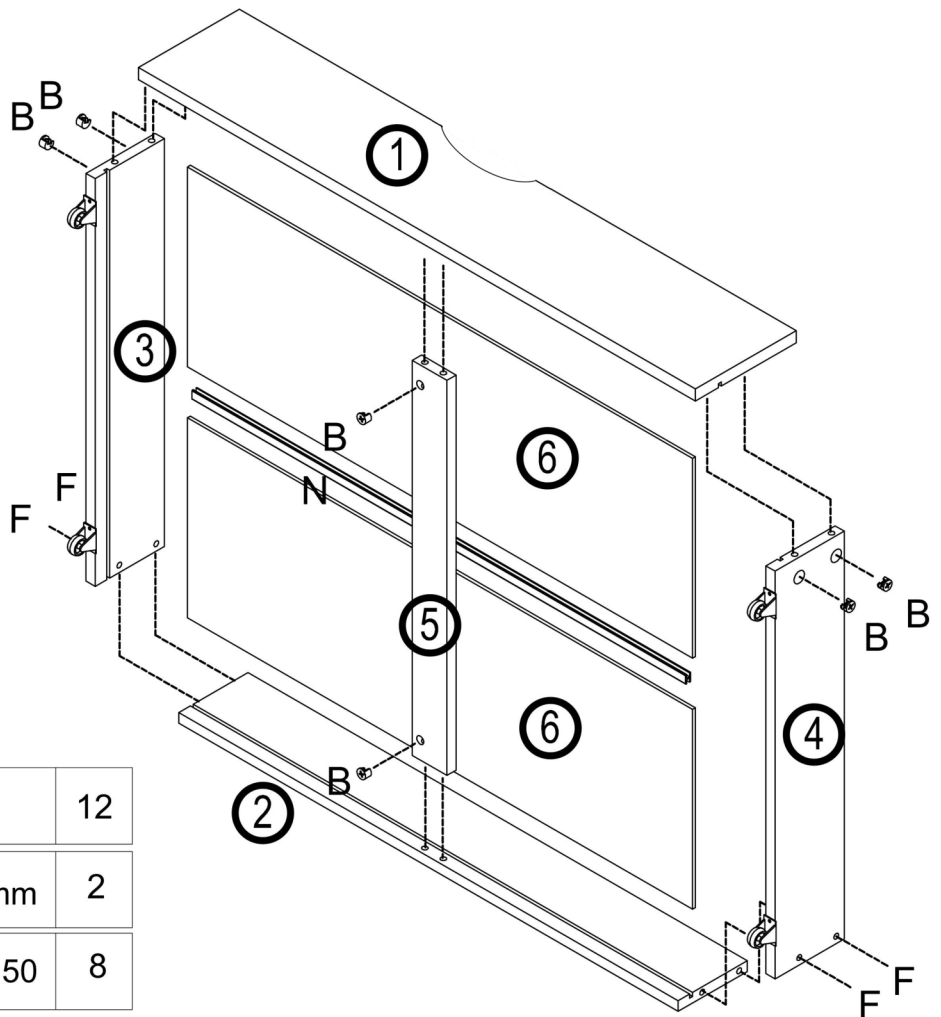


**STEP:2** X2



A		12
C		35 mm 8
D		3 x 16 16
E		Ø8 x 30 4

**STEP:3** X2



B		12
N		700 mm 2
F		Ø7 x 50 8