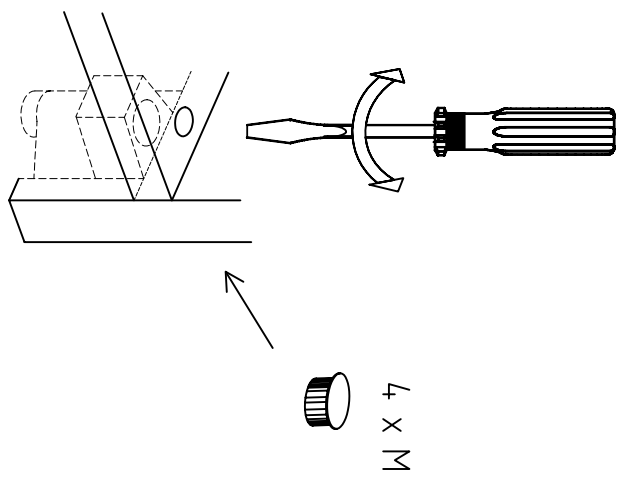
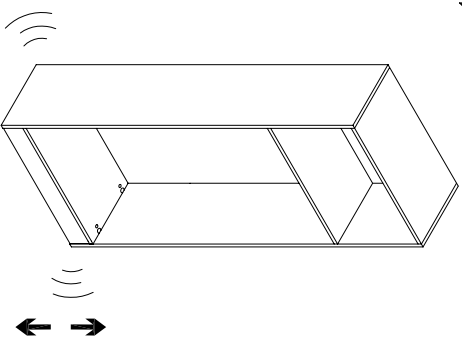
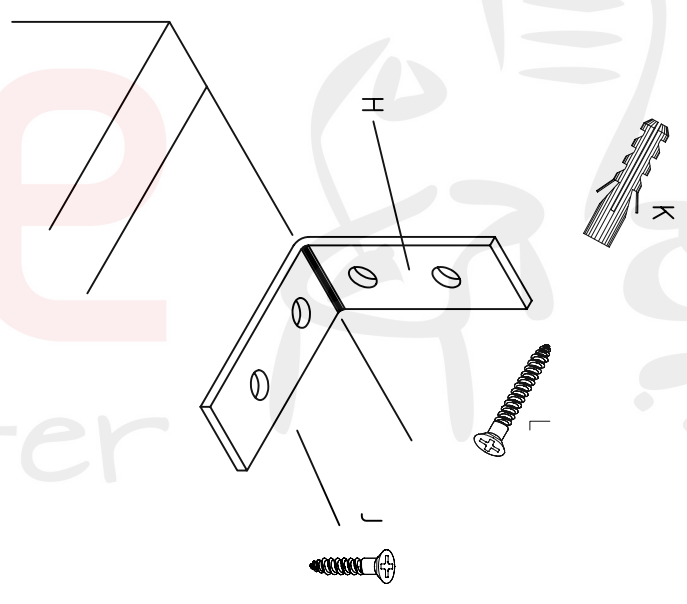
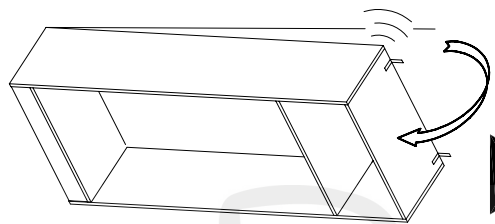


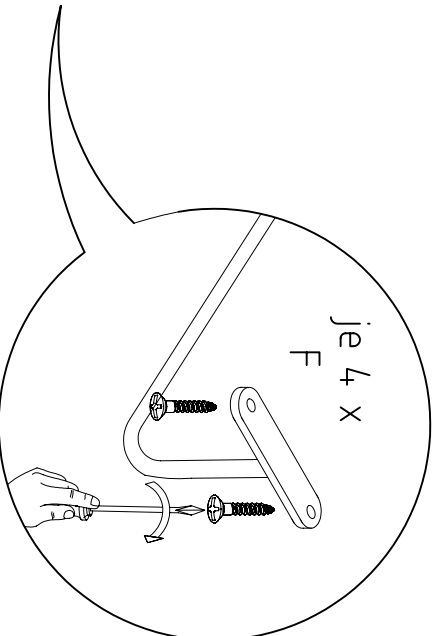
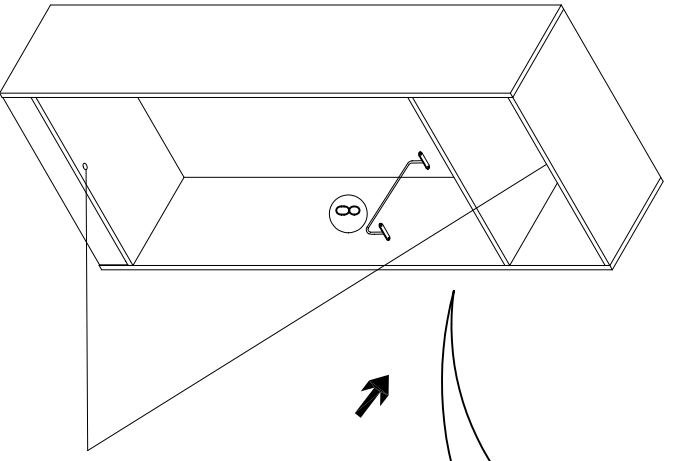
6



8

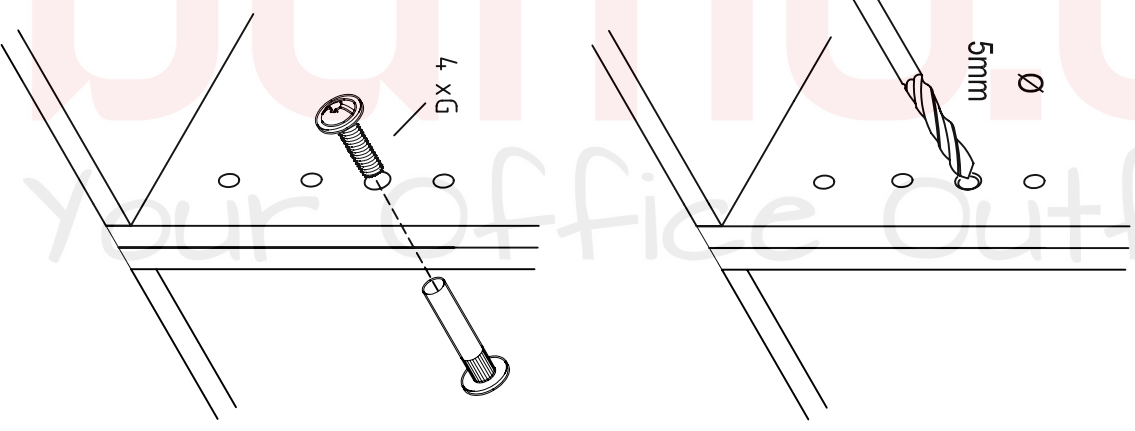
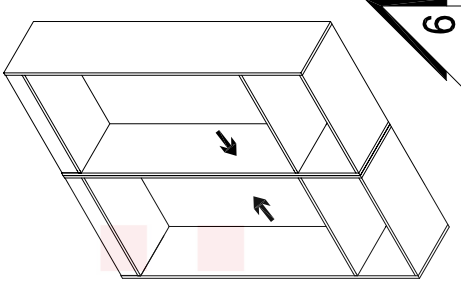


7

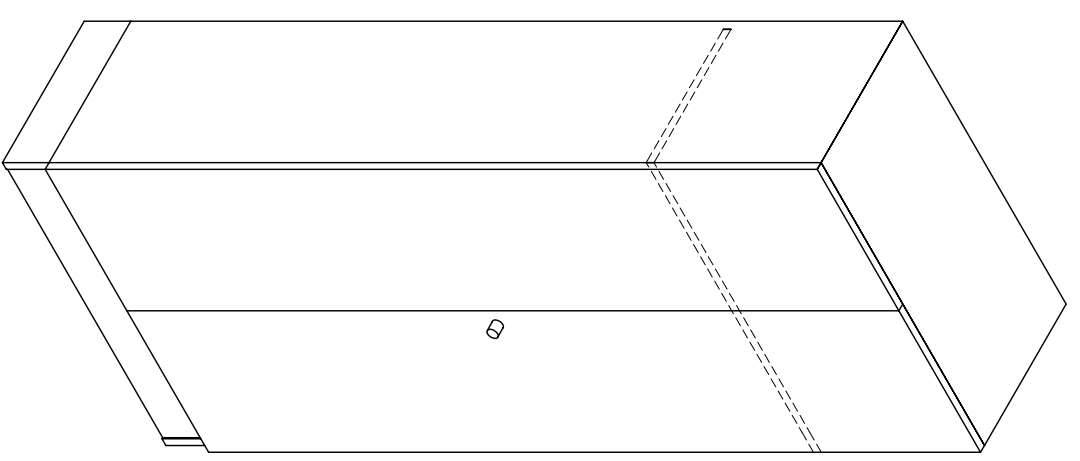


2 x N

9



Montageanleitung :
Korpus - Regalserie M6.../M7...
Assembly instruction : corpus - shelves M6./M7.. series



M 6200

Inhalt Beschlagbeutel 1:

fittings 1:

4 x A	12 x B (4 x 16)	8 x C ø 8mm	4 x D ø 5mm	12 x E (Seko 3,5 x 25)	4 x F (Seko 3,5 x 20)
-------	--------------------	----------------	----------------	---------------------------	--------------------------

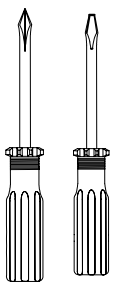
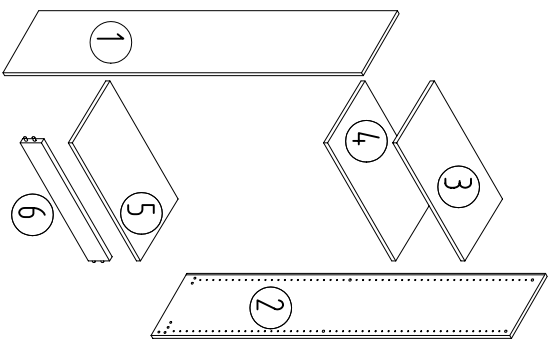
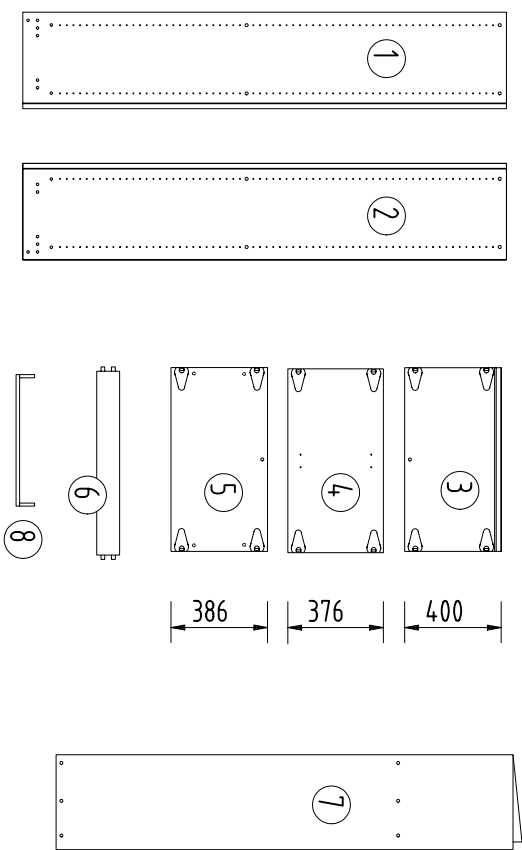
Inhalt Beschlagbeutel 2:

fittings 2:

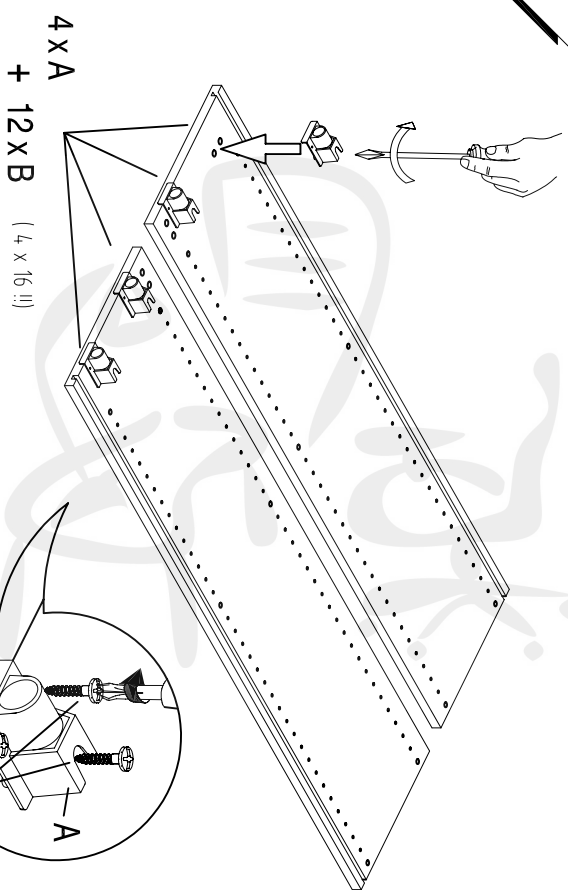
4 x G	2 x H	2 x J (Seko 3,5 x 20)	2 x K
2 x L	4 x M	2 x N	

(Seko 4,5 x 40)

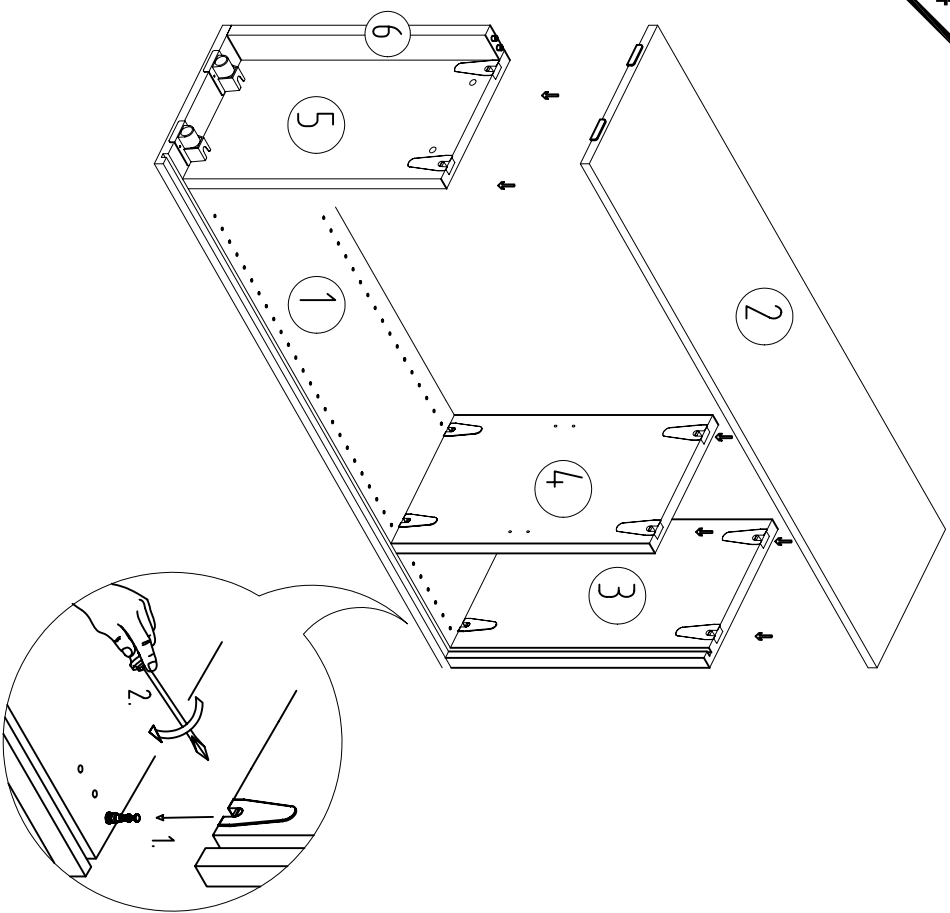
Korpus- Teile:



1

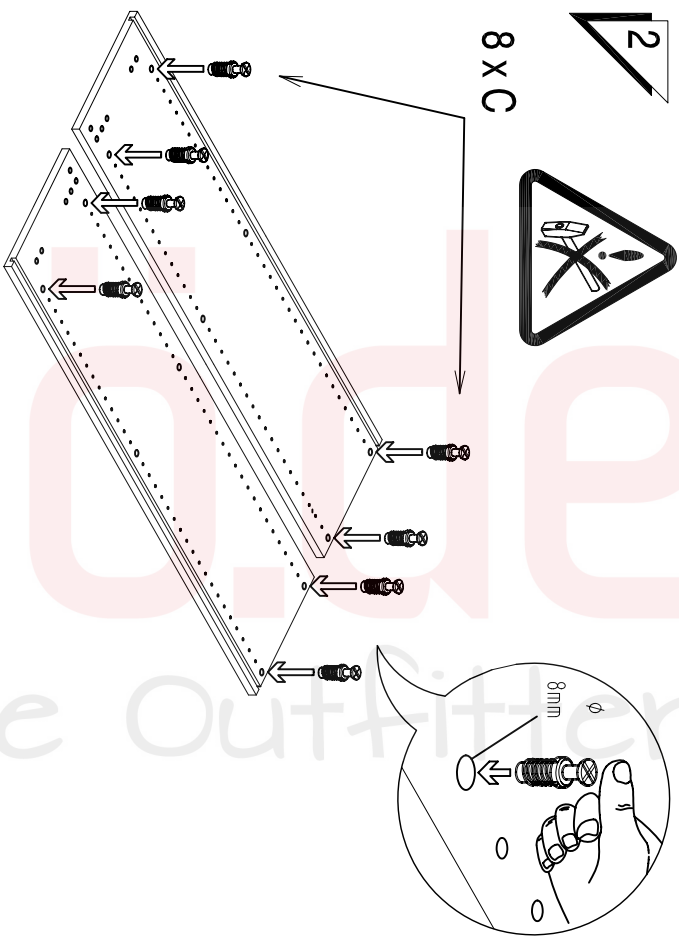


4

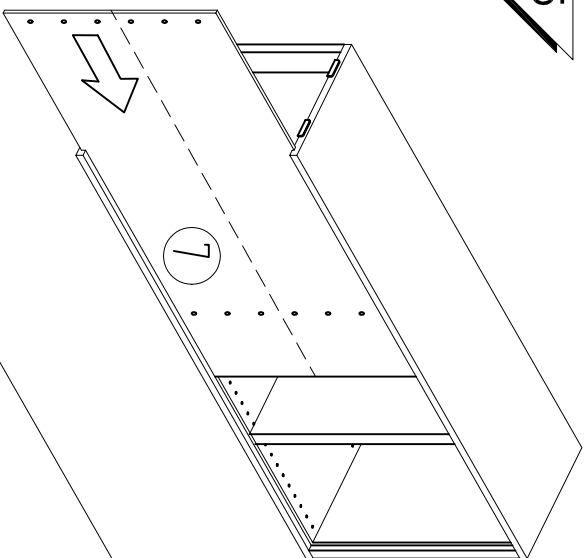


2

8 x C



5



3

