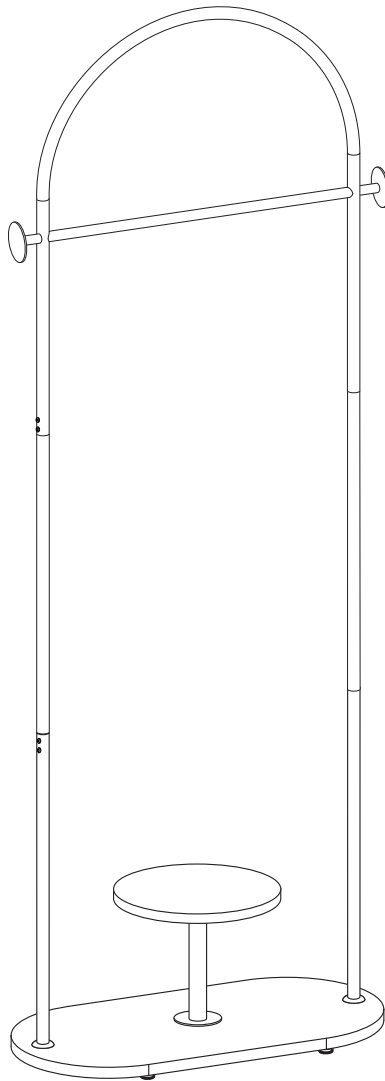
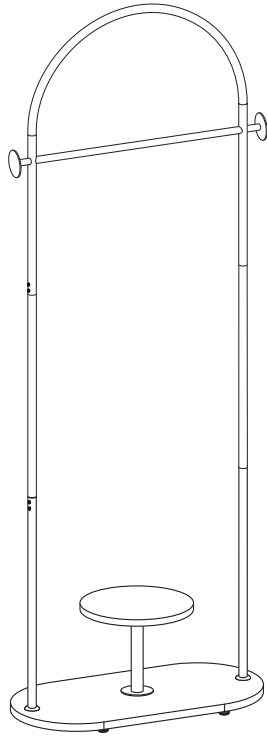
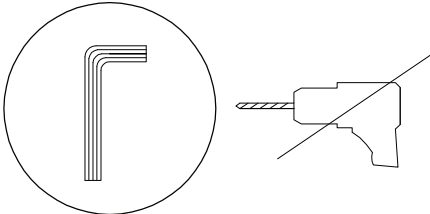

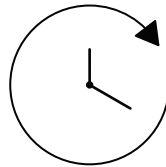
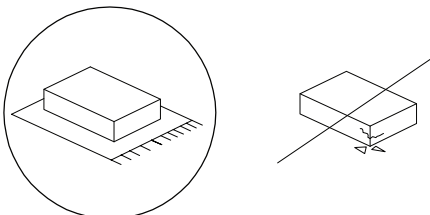


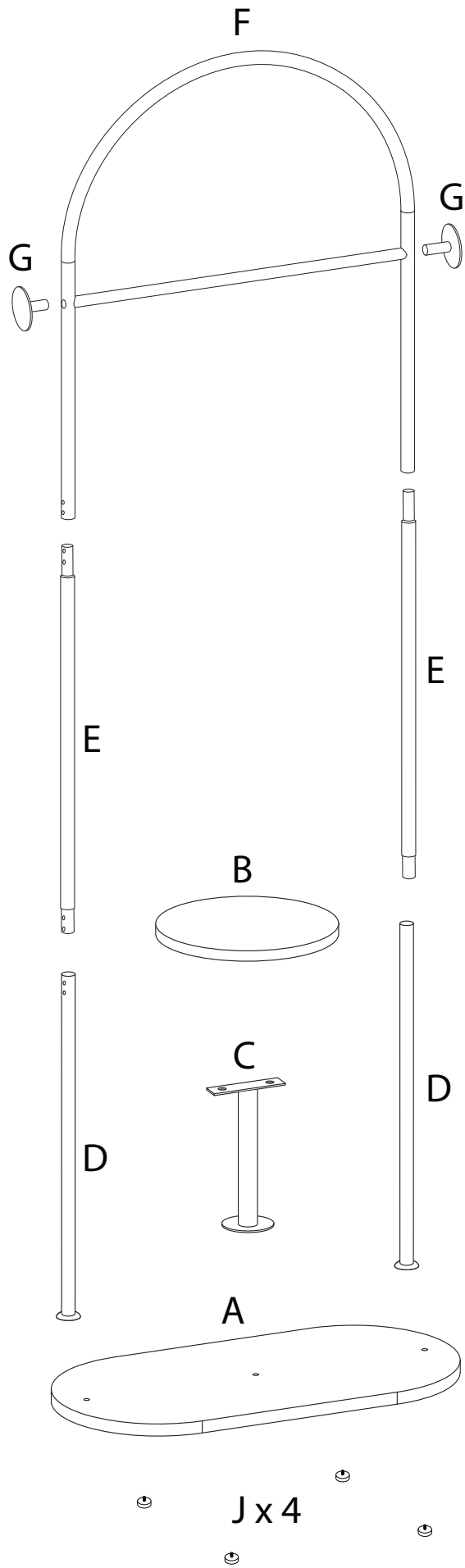


HARDIN

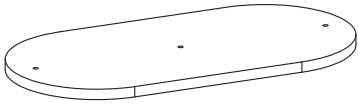




		
		15'
		
		2

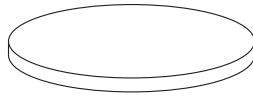


A



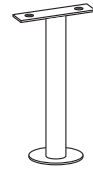
x 1

B



x 1

C



x 1

D



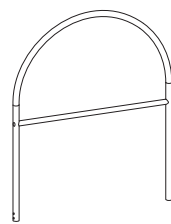
x 2

E



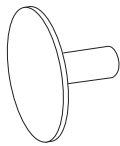
x 2

F



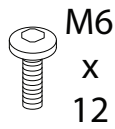
x 1

G



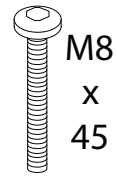
x 2

H



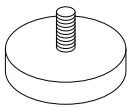
x 10

I



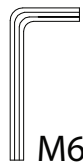
x 3

J



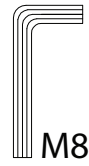
x 4

K



x 1

L



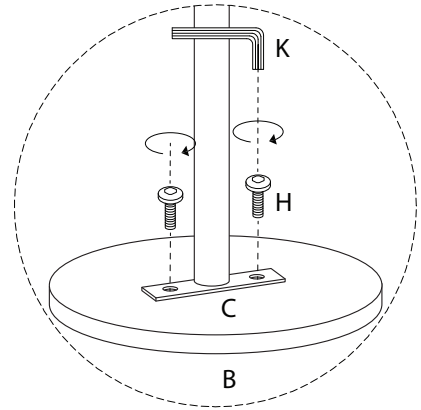
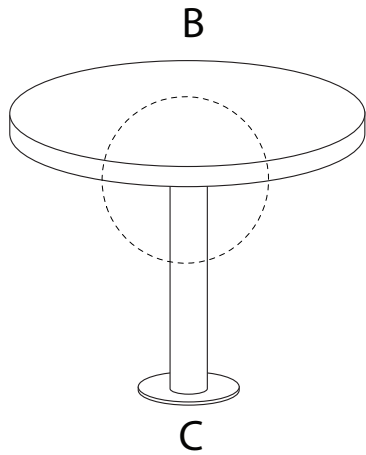
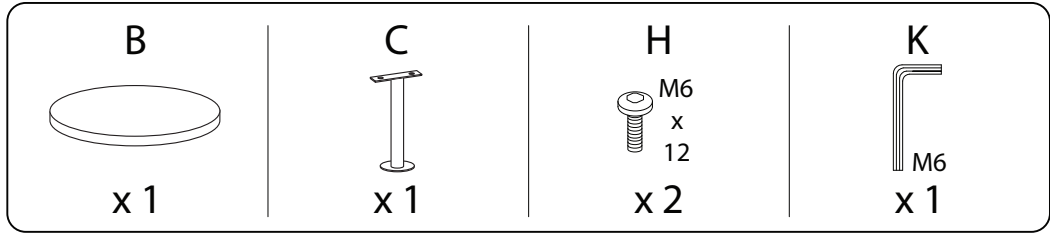
x 1

M

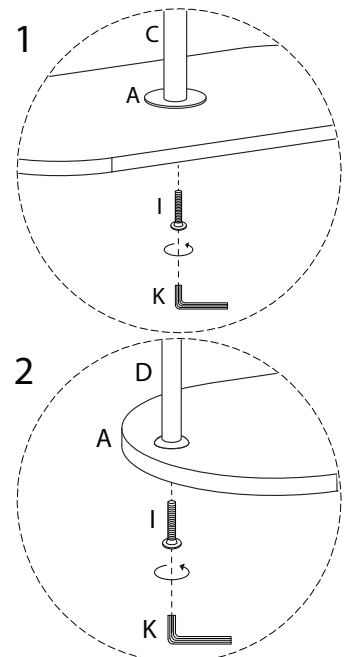
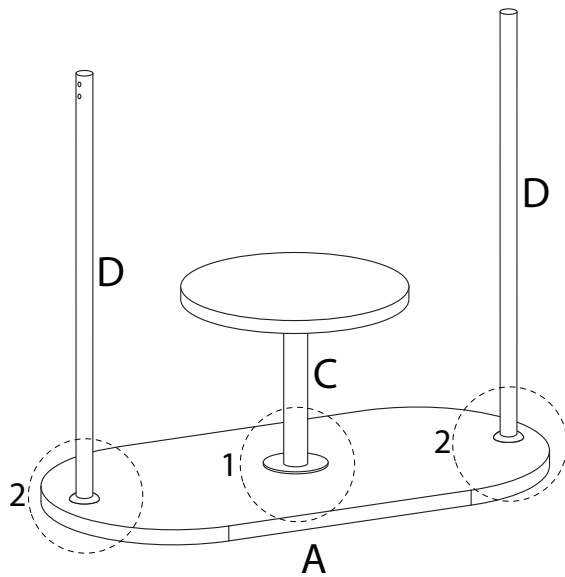
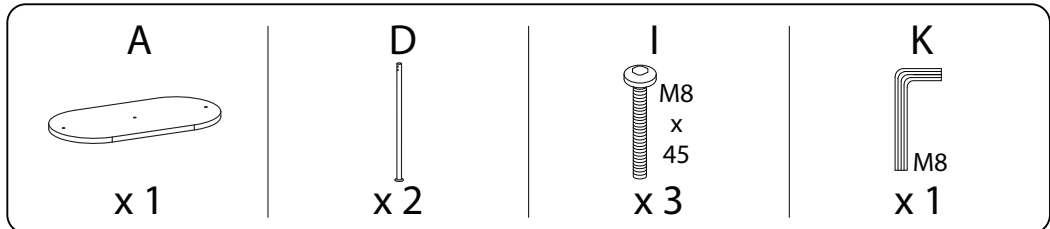


x 2

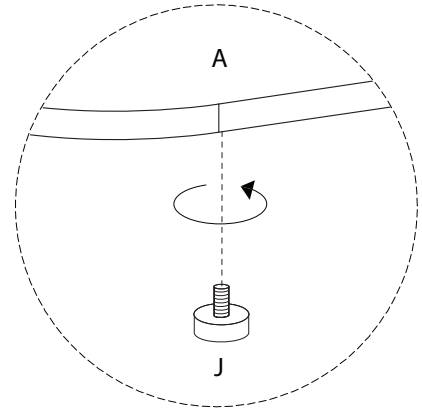
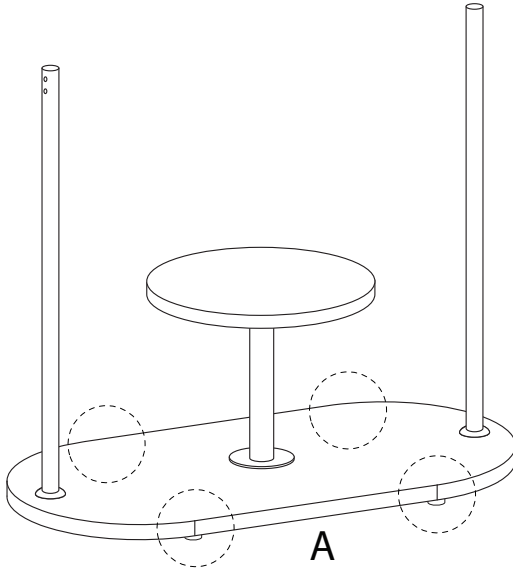
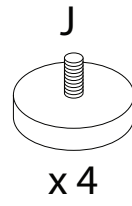
1



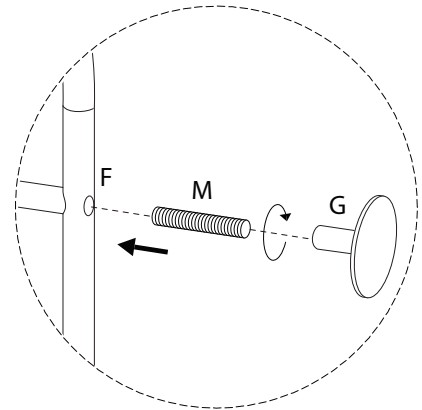
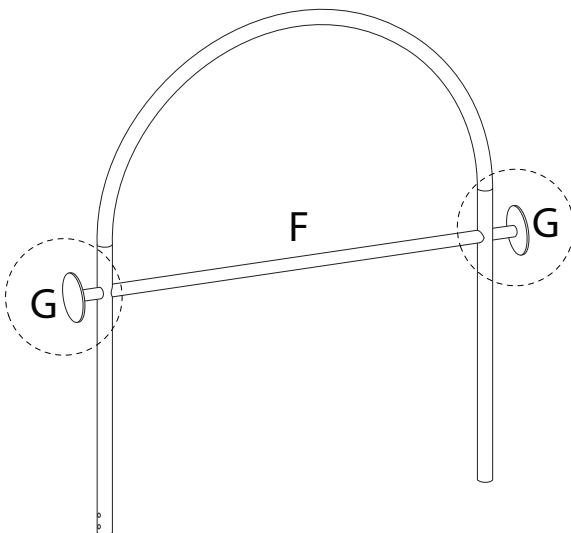
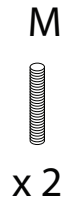
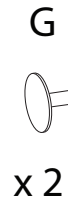
2



3



4



5

