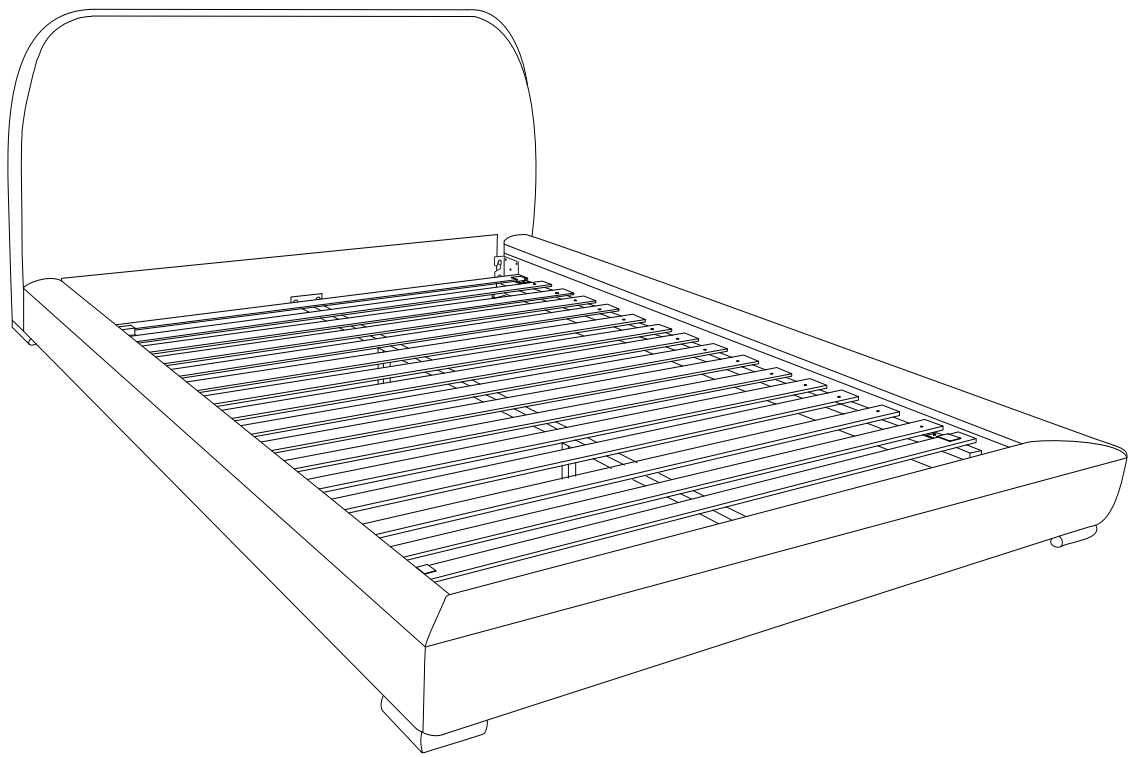
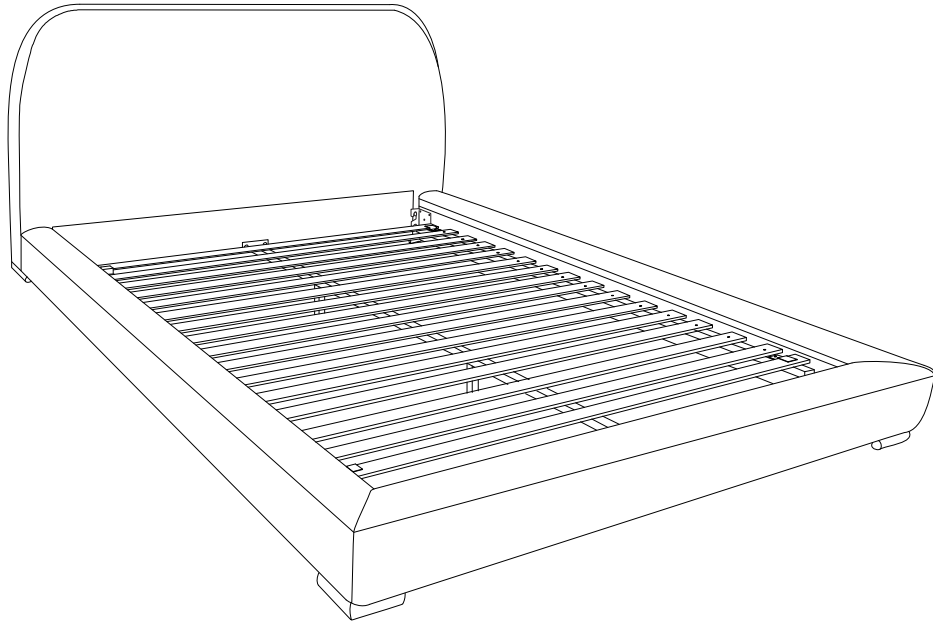
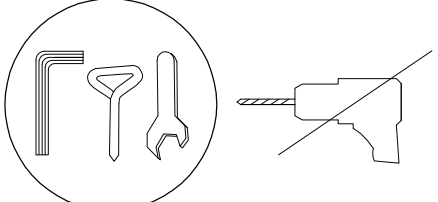

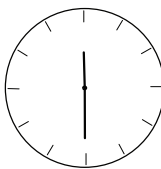
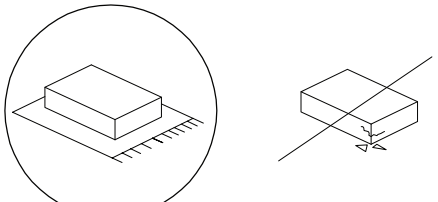

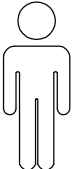
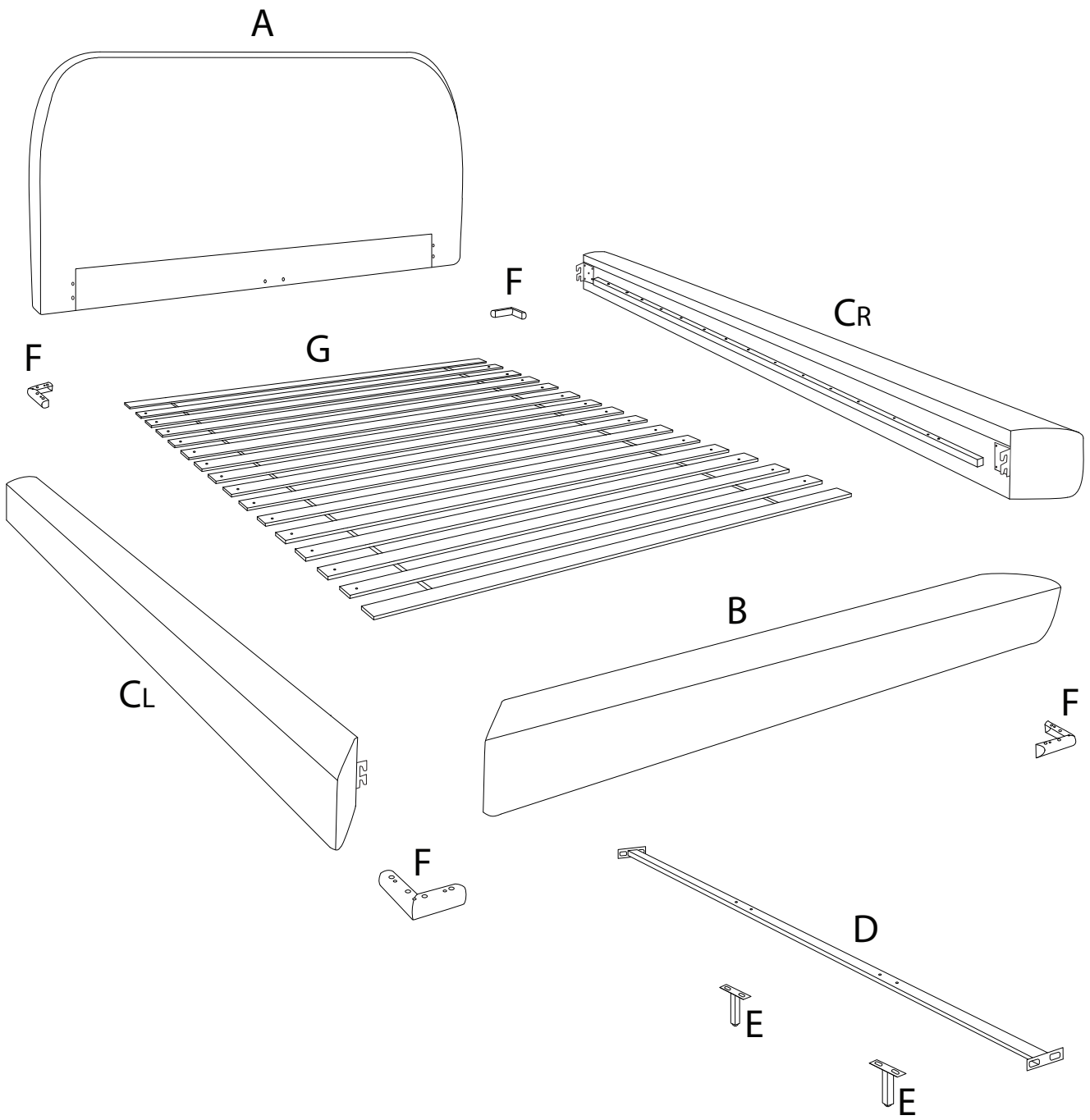


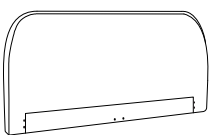
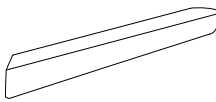
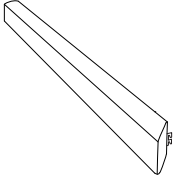
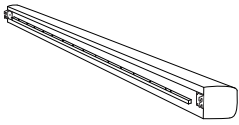
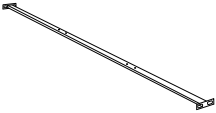
ROISEL



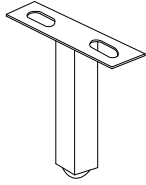


		
		 2



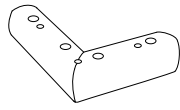
A	B	CL	CR	D
				
x 1	x 1	x 1	x 1	x 1

E



x 2

F



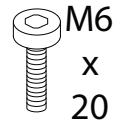
x 4

G



x 1

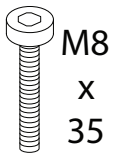
H



M6
x
20

x 8

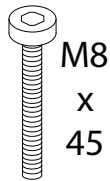
I



M8
x
35

x 16

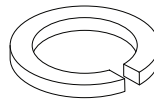
J



M8
x
45

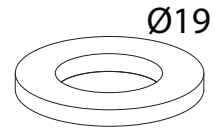
x 4

K



x 8

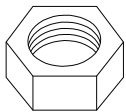
L



Ø19

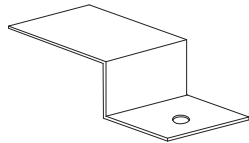
x 24

M



x 8

N



x 4

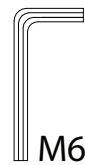
O



M5
x
30

x 28

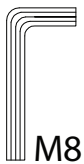
P



M6

x 1

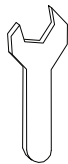
Q



M8

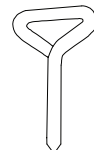
x 1

R



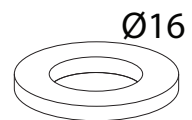
x 1

S



x 1

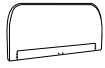



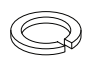

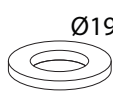
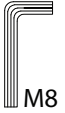
T

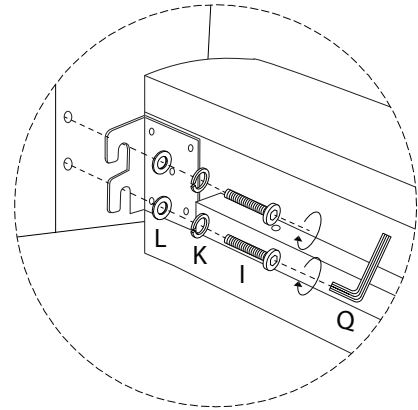
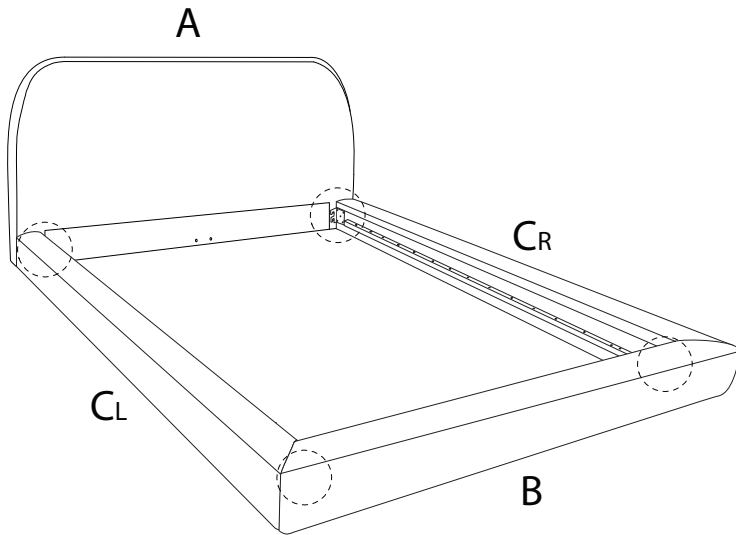


Ø16





x 4

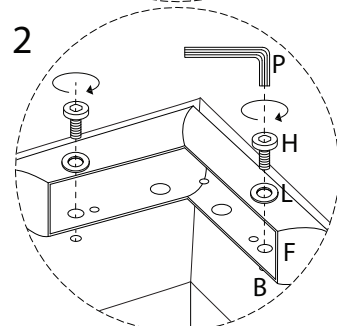
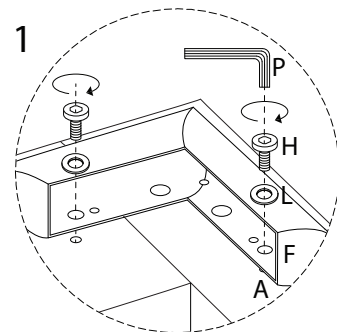
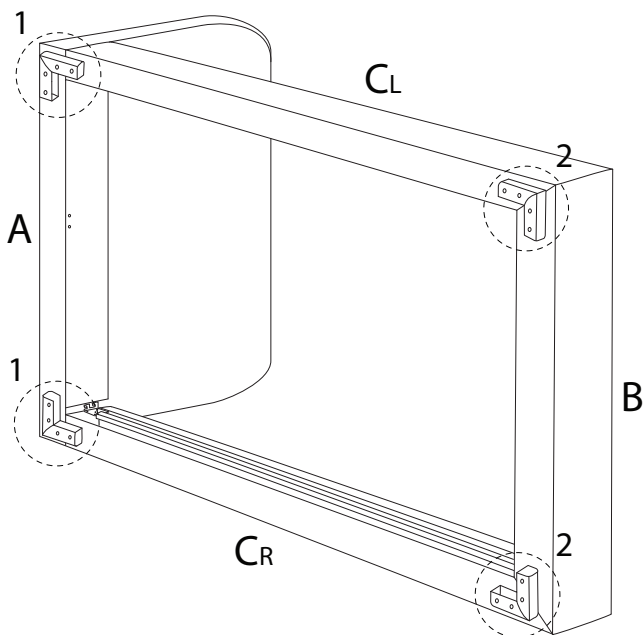
1

A  x 1	B  x 1	CL  x 1	CR  x 1	K  x 8	I  x 8	L  x 8	Q  x 1
--	--	---	---	--	--	--	--

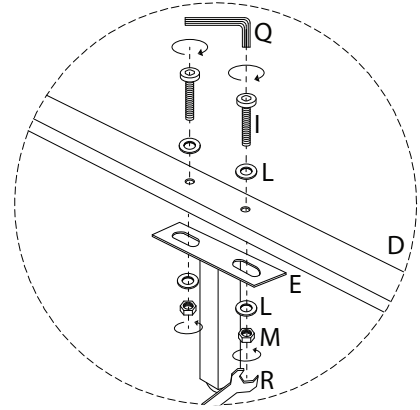
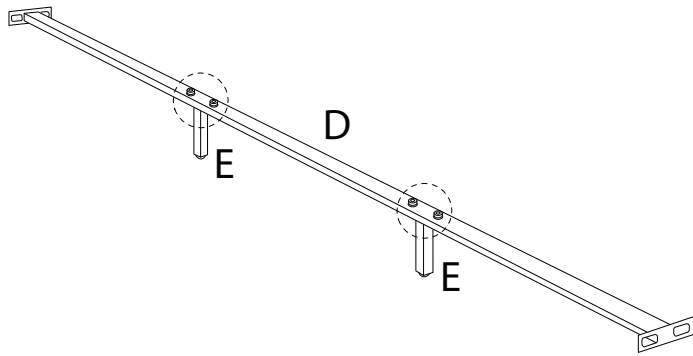
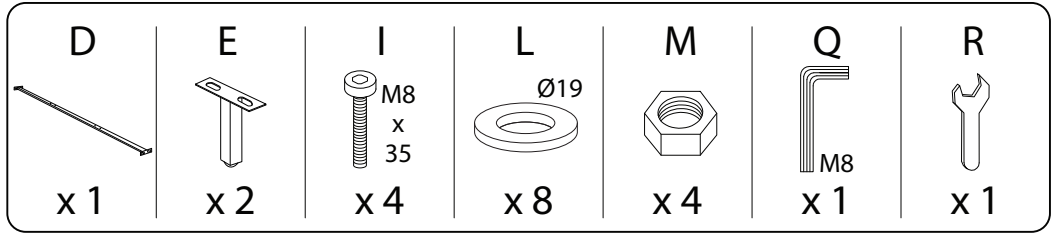


2

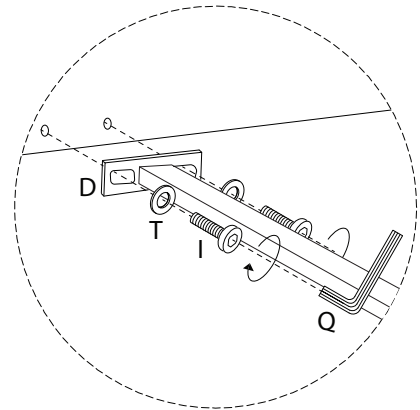
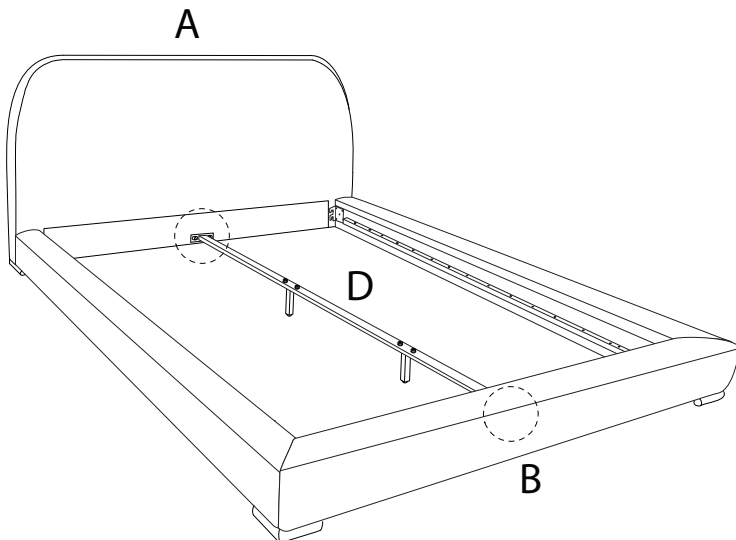
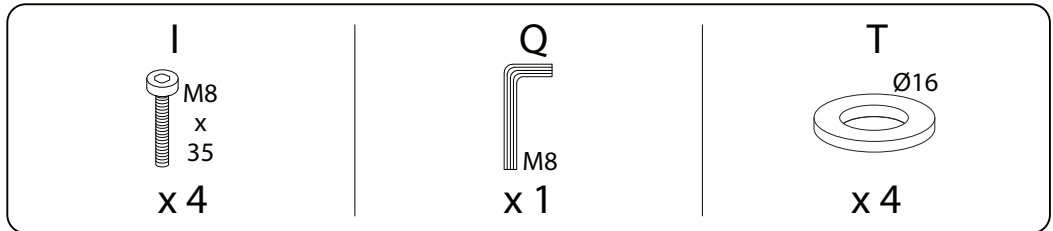
F  x 4	H  x 8	L  x 8	P  x 1
--	--	---	--



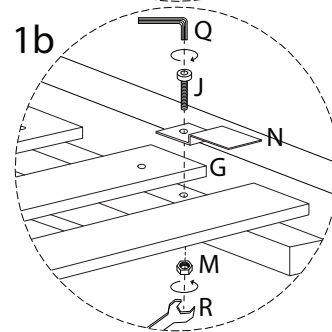
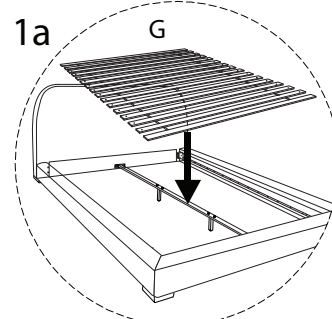
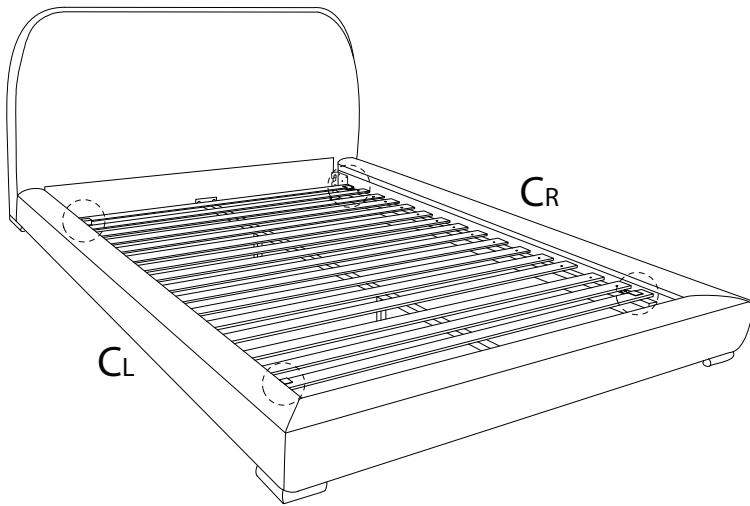
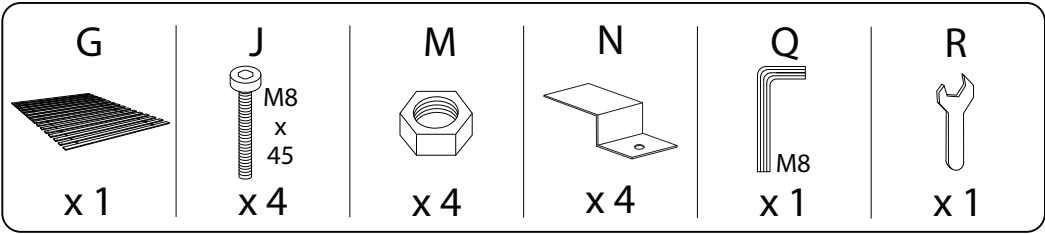
3



4



5



6

