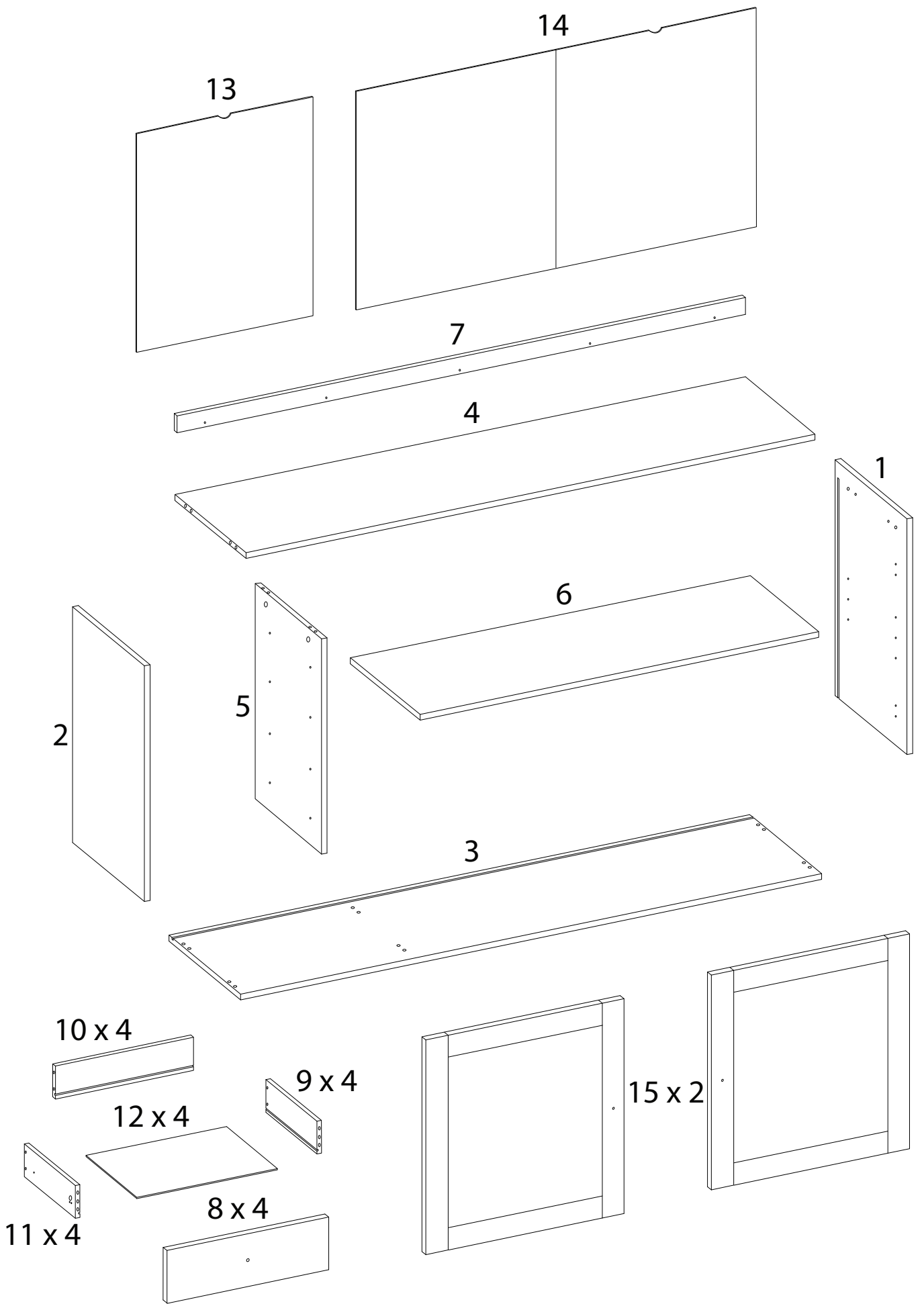


# ALCOVE

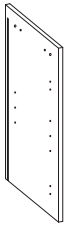




A circular icon containing a screwdriver, an L-shaped bracket, and a power drill. To the right of the circle is a power drill icon.	A warning triangle icon with an exclamation mark inside.	A circular icon with a clock face and a curved arrow indicating a 90-degree rotation.
A circular icon containing a rectangular block being placed on a surface with a grid pattern. To the right of the circle is a rectangular block with a diagonal line through it, indicating a cut or removal.	A warning triangle icon with an exclamation mark inside.	A simple line drawing of a person.
		90'
		2



1



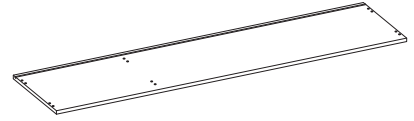
x 1

2



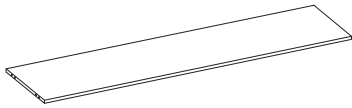
x 1

3



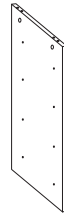
x 1

4



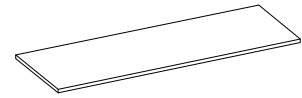
x 1

5



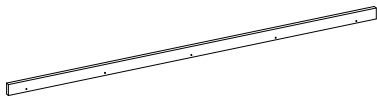
x 1

6



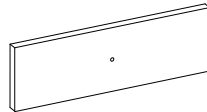
x 1

7



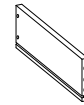
x 1

8



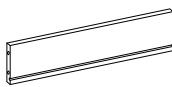
x 4

9



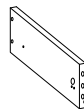
x 4

10



x 4

11



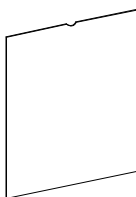
x 4

12



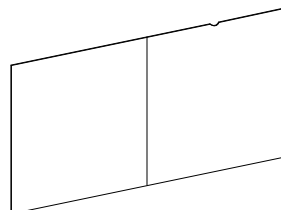
x 4

13



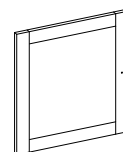
x 1

14

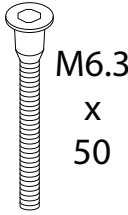
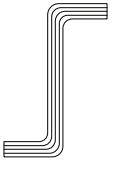
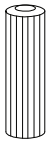
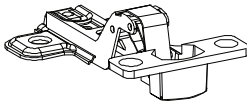

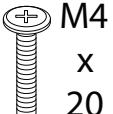
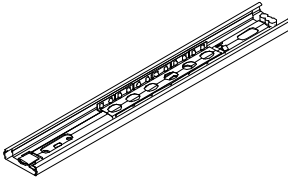
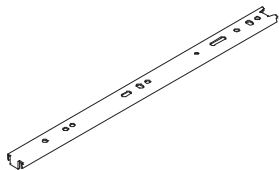
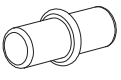
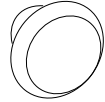
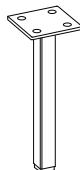
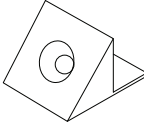
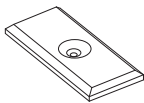
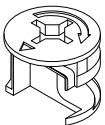
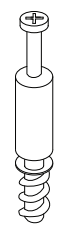
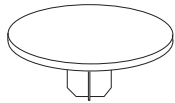

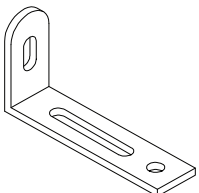


x 1

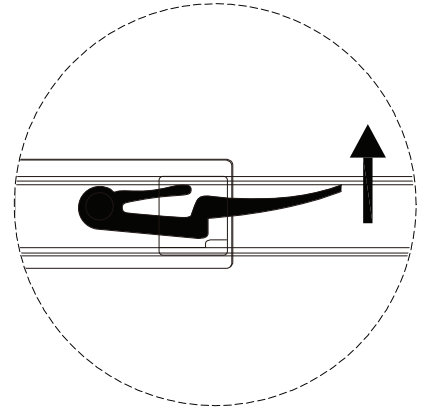
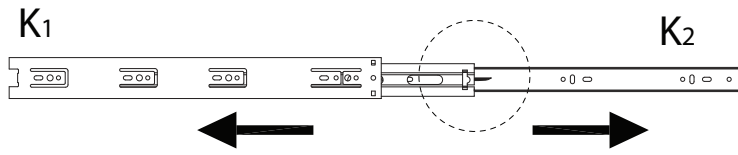
15



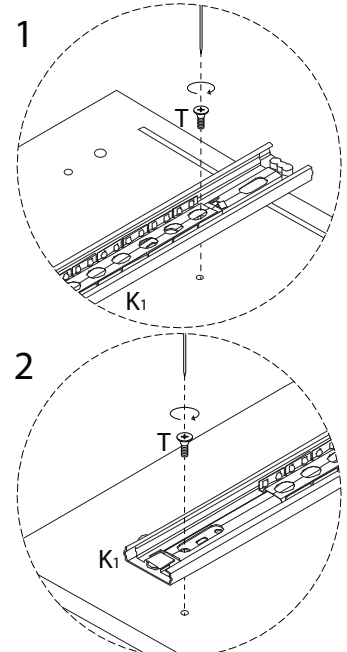
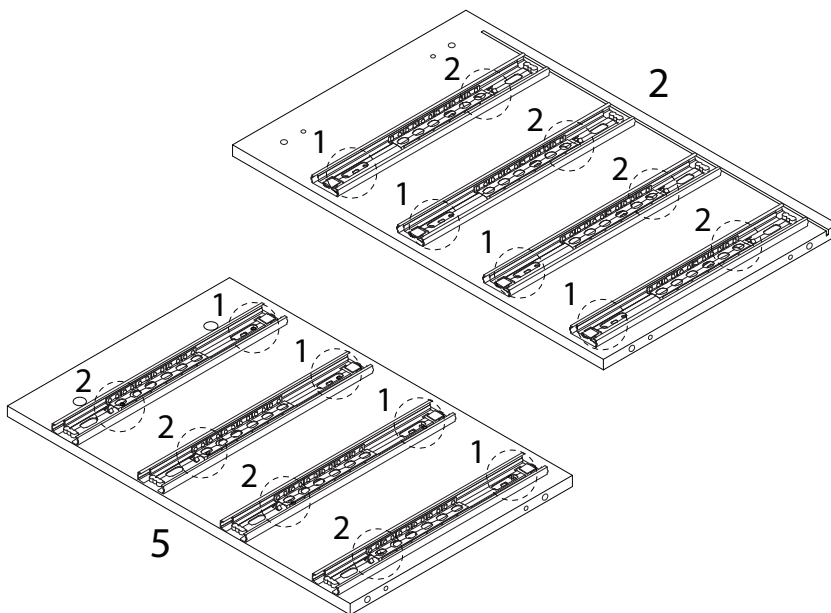
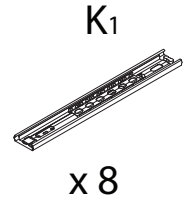
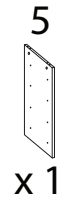
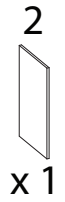
x 2

<p><b>A<sub>1</sub></b></p>  <p>M6.3 x 50</p> <p>x 27</p>	<p><b>A<sub>3</sub></b></p>  <p>x 1</p>	<p><b>B</b></p>  <p>x 28</p>	<p><b>C</b></p>  <p>x 4</p>
<p><b>E</b></p>  <p>M6.3 x 16</p> <p>x 46</p>	<p><b>E<sub>8</sub></b></p>  <p>M4 x 20</p> <p>x 6</p>	<p><b>K<sub>1</sub></b></p>  <p>x 8</p>	<p><b>K<sub>2</sub></b></p>  <p>x 8</p>
<p><b>L</b></p>  <p>x 4</p>	<p><b>M</b></p>  <p>x 6</p>	<p><b>N</b></p>  <p>x 6</p>	<p><b>P</b></p>  <p>x 14</p>
<p><b>P<sub>1</sub></b></p>  <p>x 4</p>	<p><b>R<sub>1</sub></b></p>  <p>x 14</p>	<p><b>R<sub>2</sub></b></p>  <p>x 14</p>	<p><b>R<sub>3</sub></b></p>  <p>x 14</p>
<p><b>T</b></p>  <p>M6.3 x 13</p> <p>x 48</p>		<p><b>W</b></p>  <p>x 2</p>	

!



1



2

B



x 6

R1

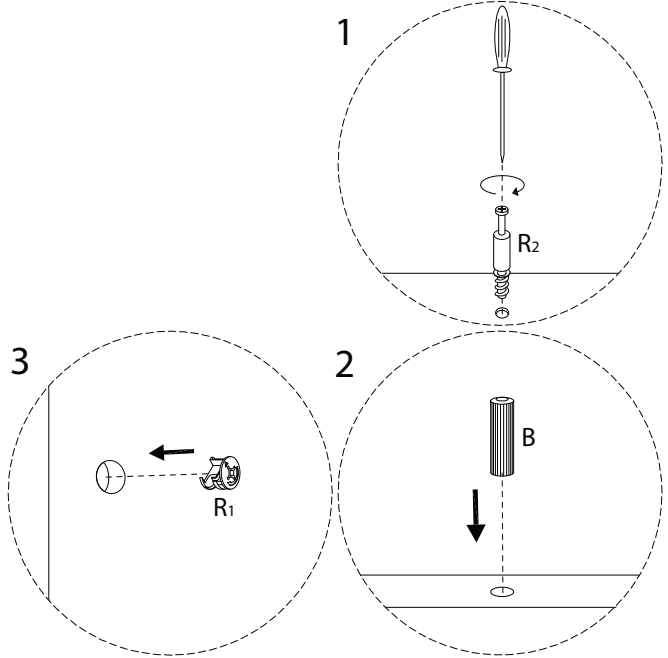
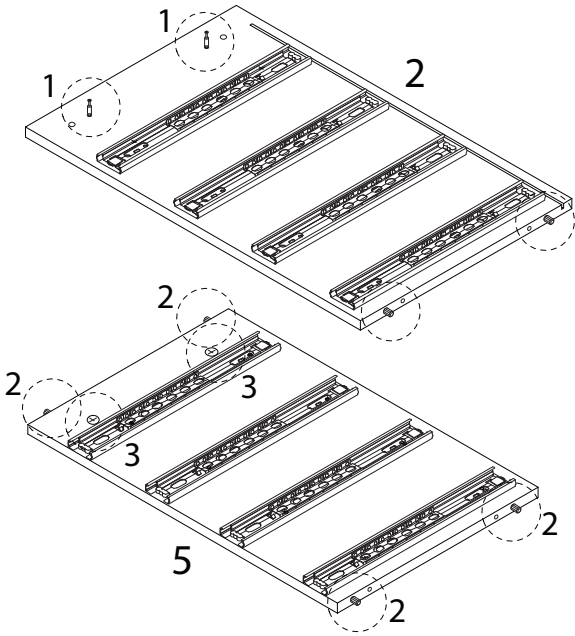


x 2

R2



x 2



3

1



x 1

B



x 2

R2

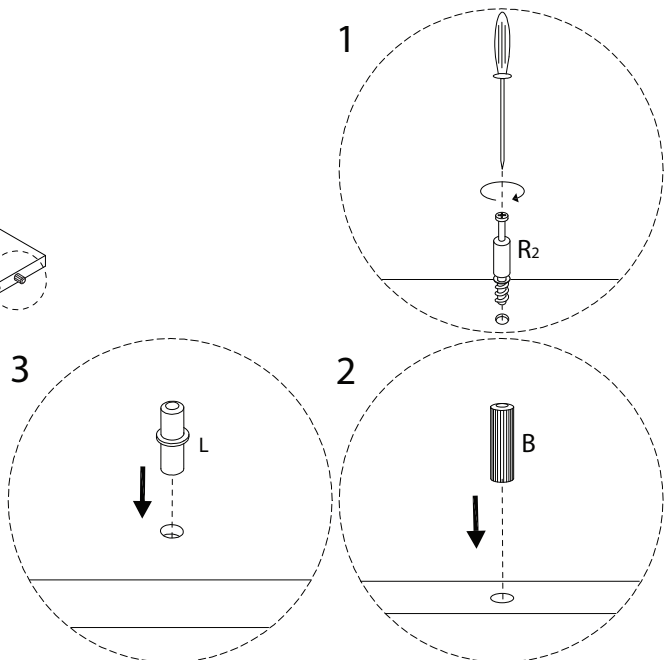
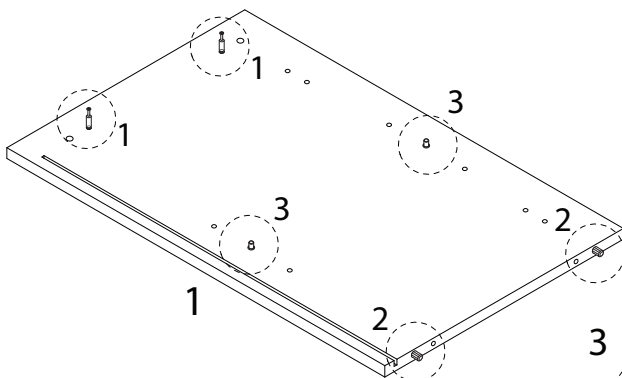


x 2

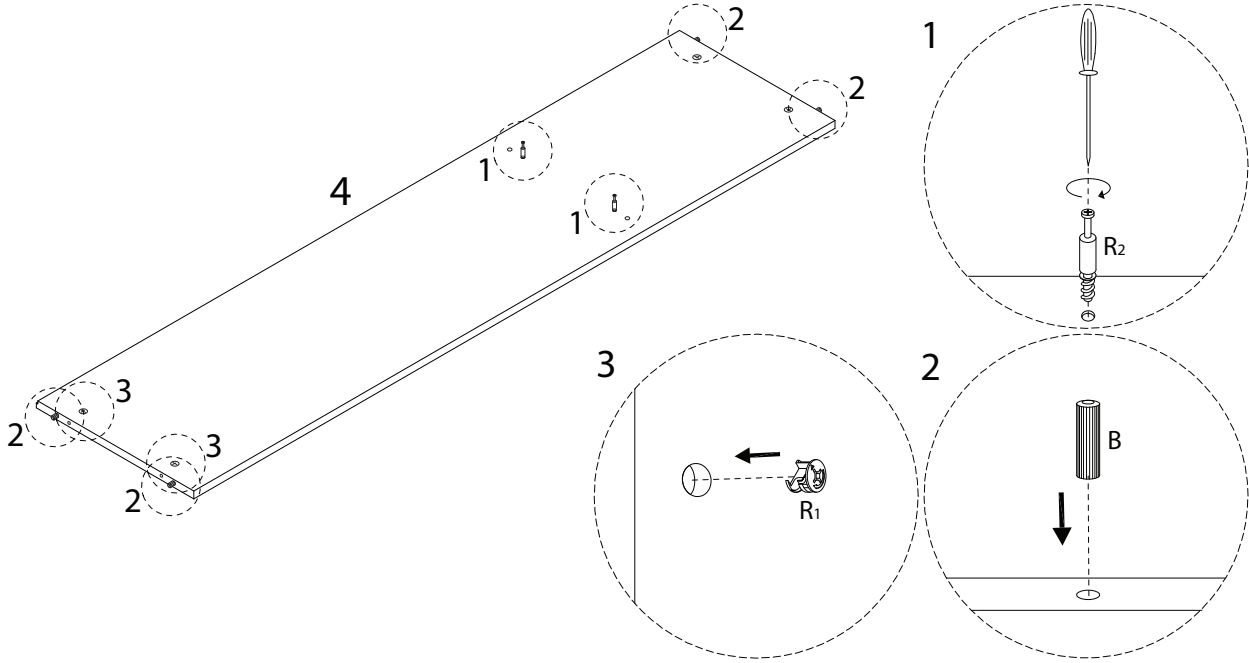
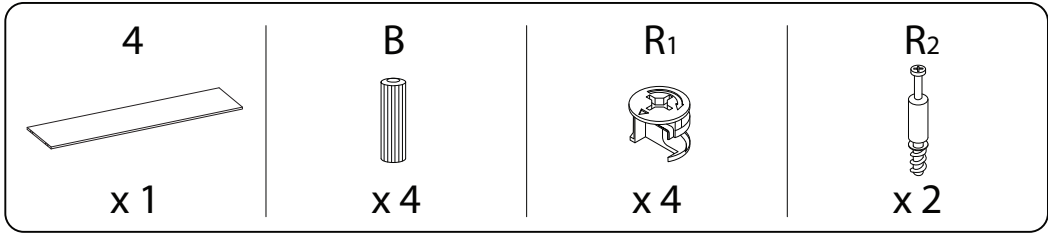
L



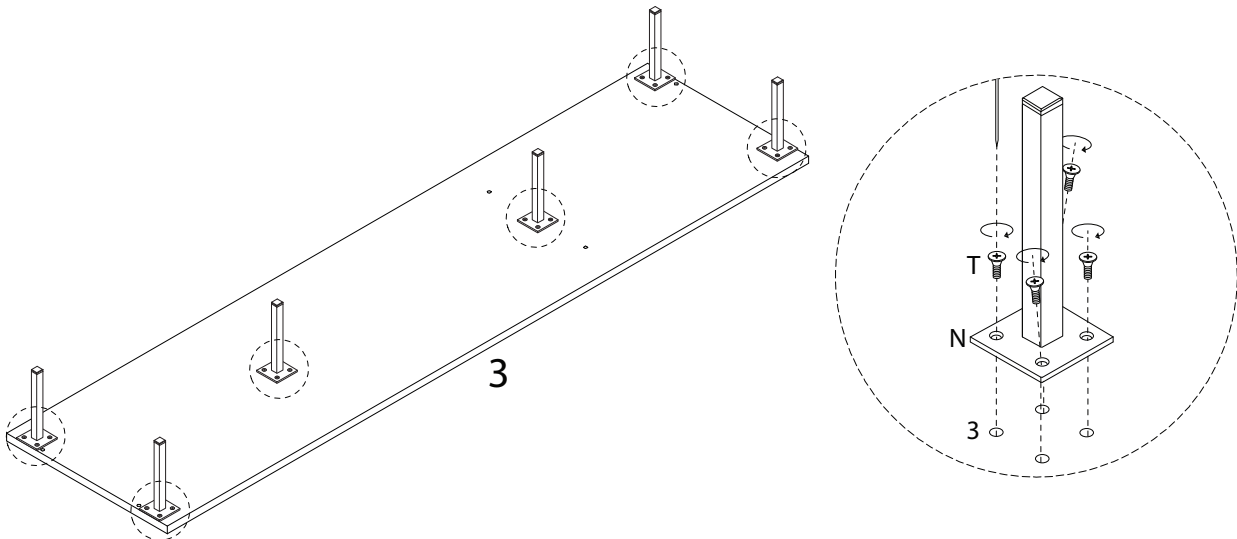
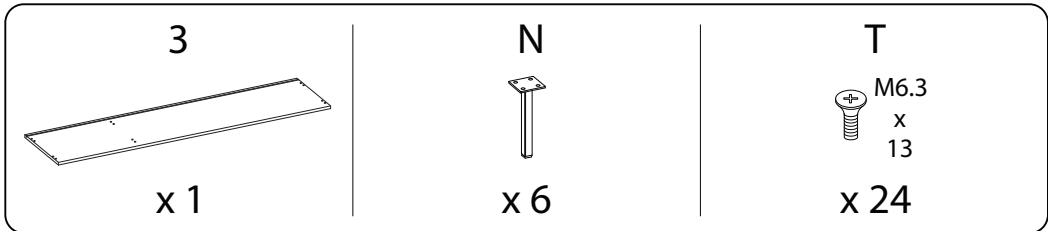
x 2



4

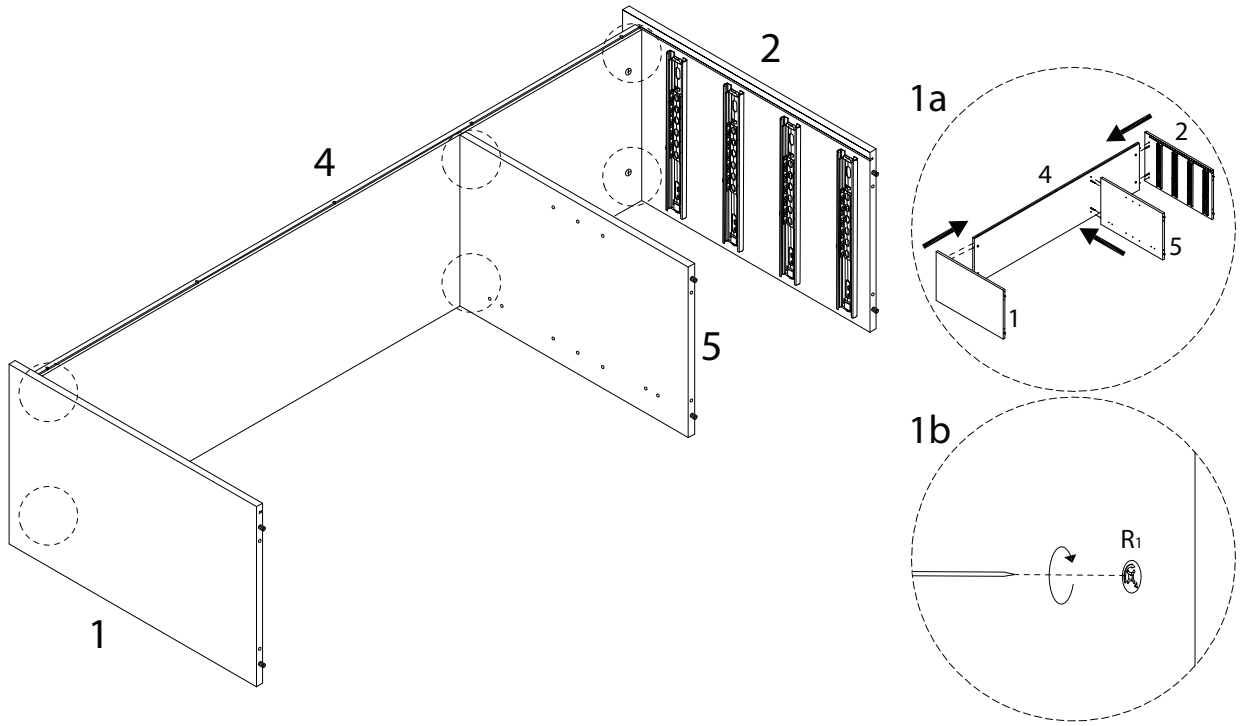


5

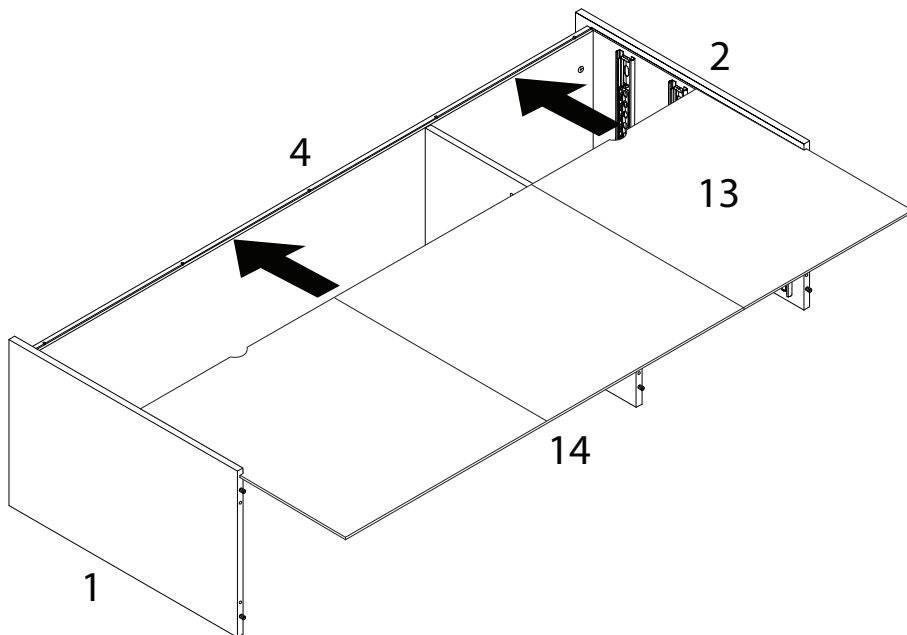
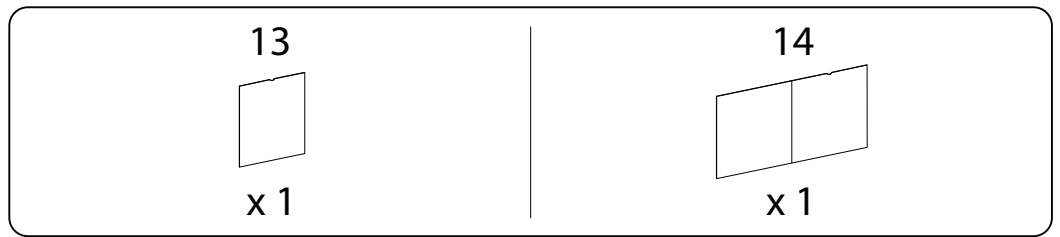




6



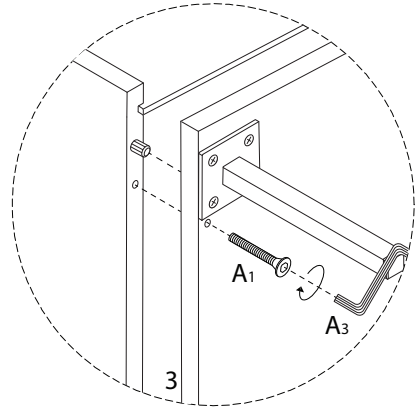
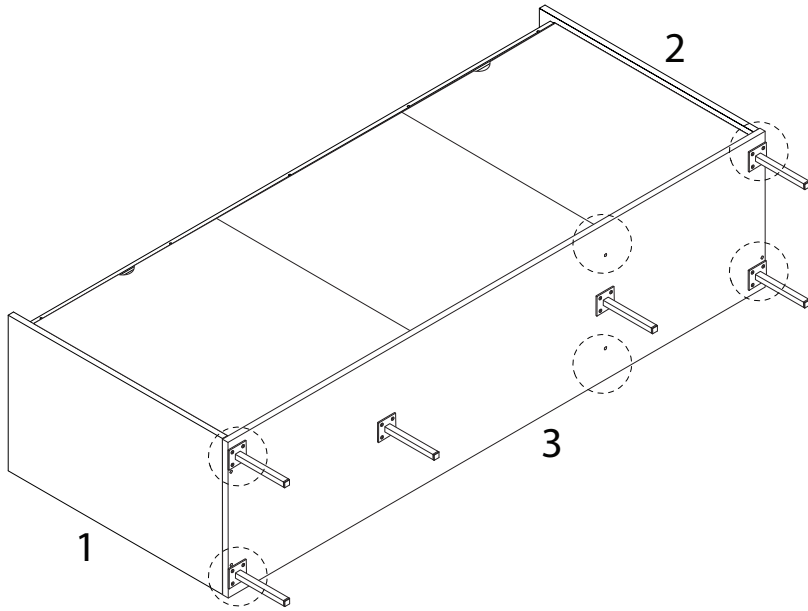
7



8

A1  
M6.3  
x  
50  
x 6

A3  
x 1



9

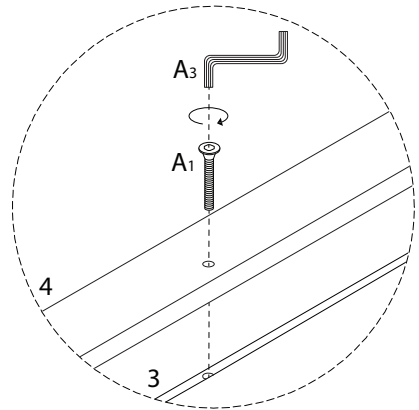
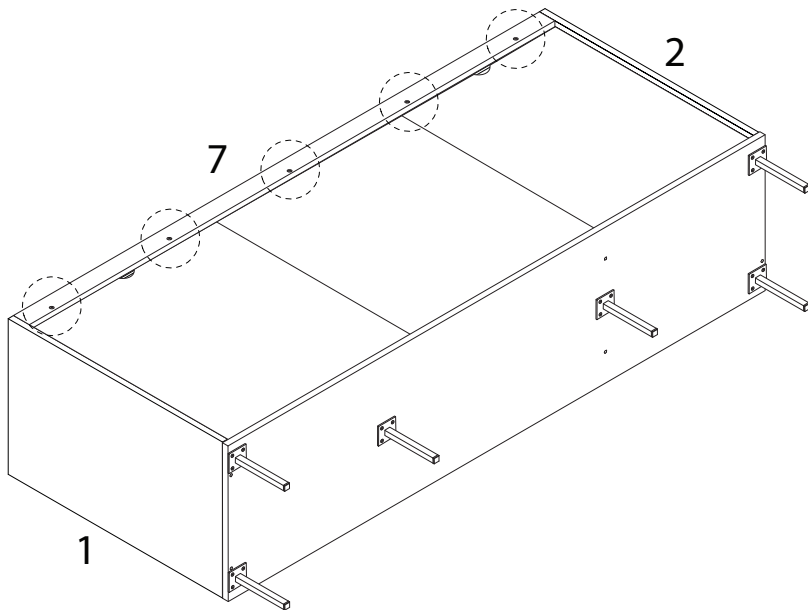
7



x 1

A1  
M6.3  
x  
50  
x 5

A3  
x 1



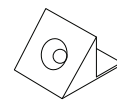
10

E

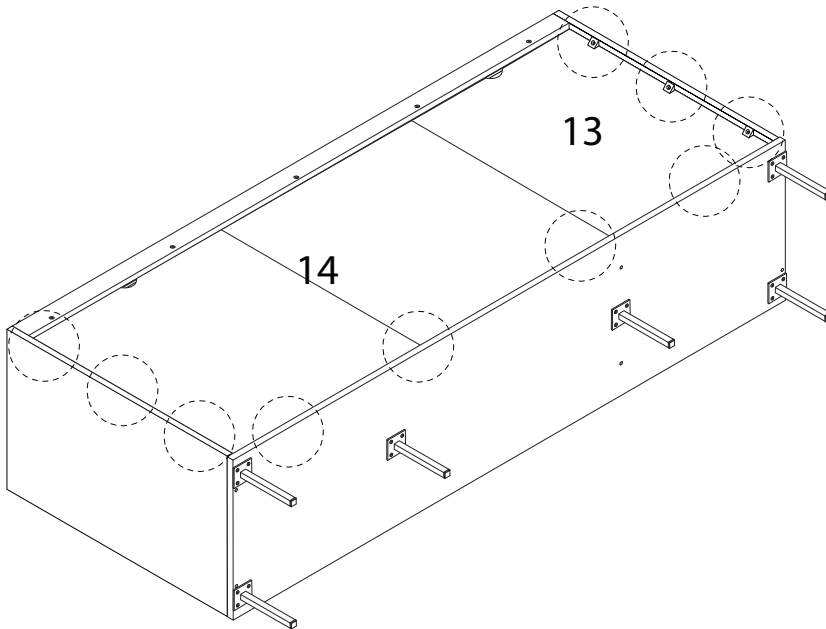


x 10

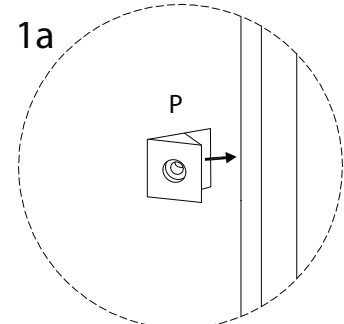
P



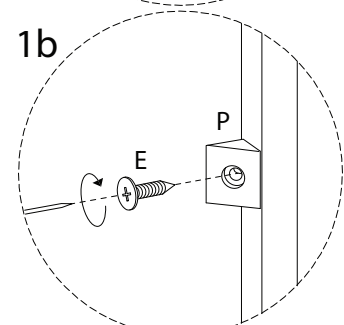
x 10



1a

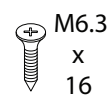


1b



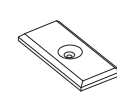
11

E

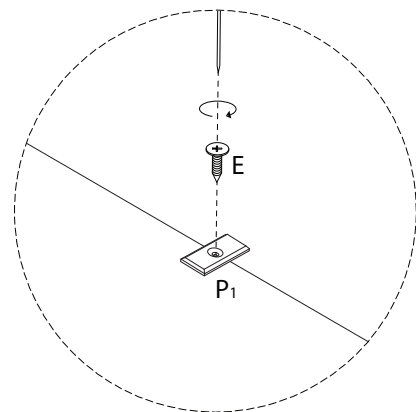
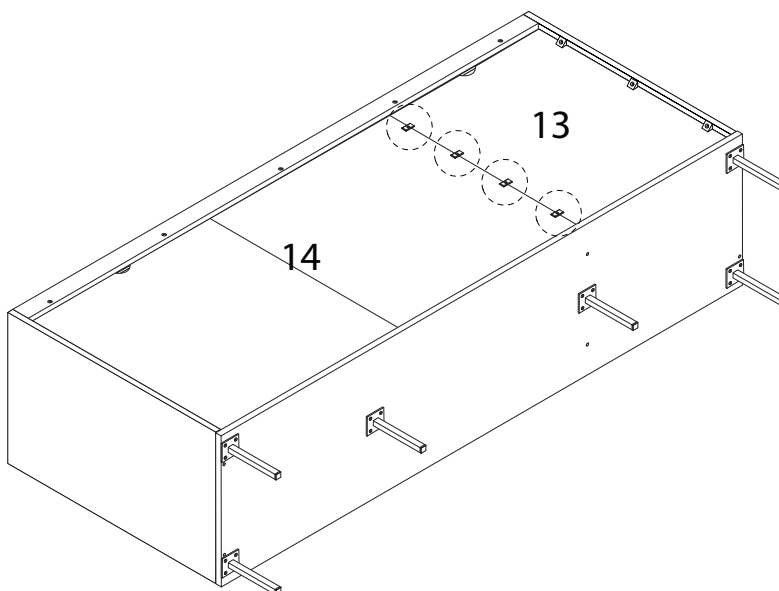


x 4

P<sub>1</sub>



x 4



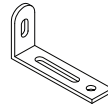
12

E

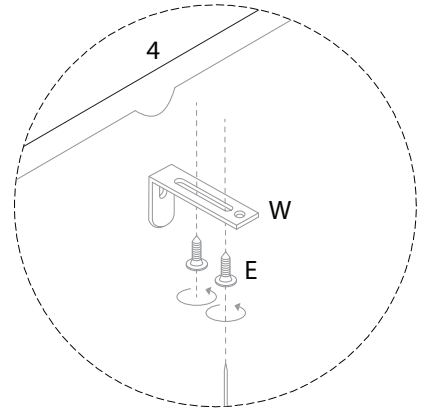
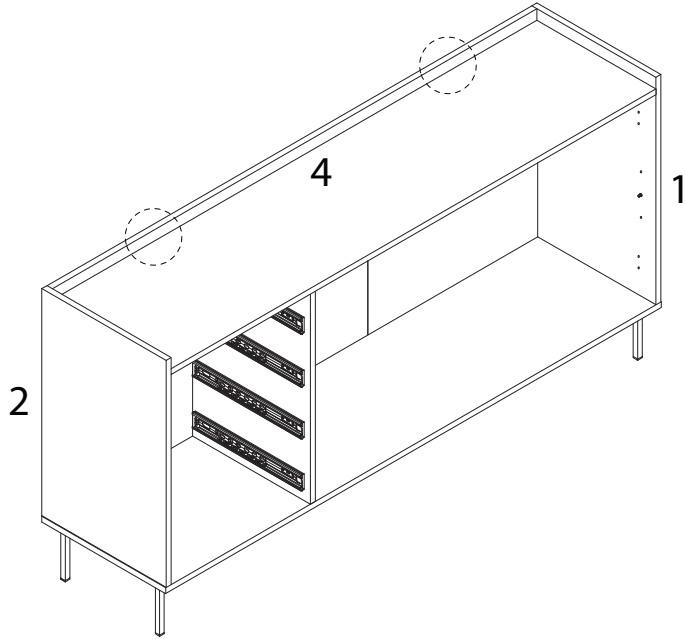


x 4

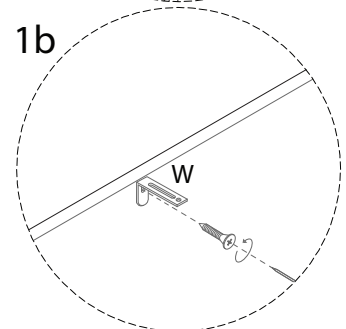
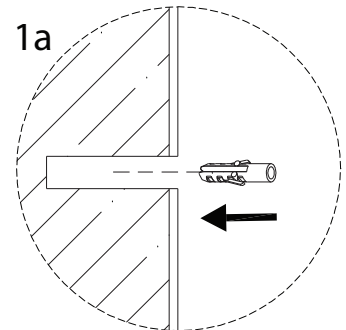
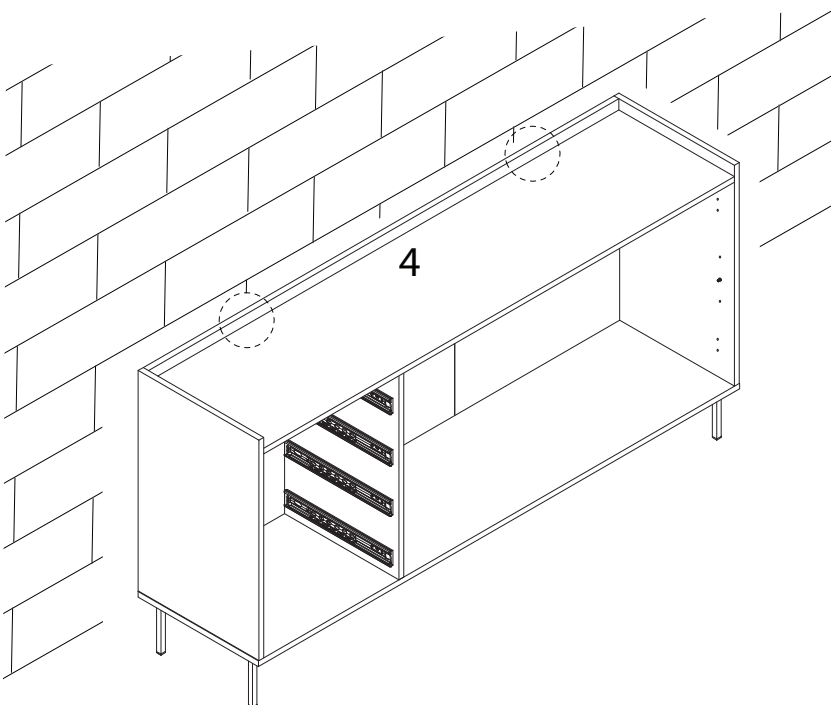
W



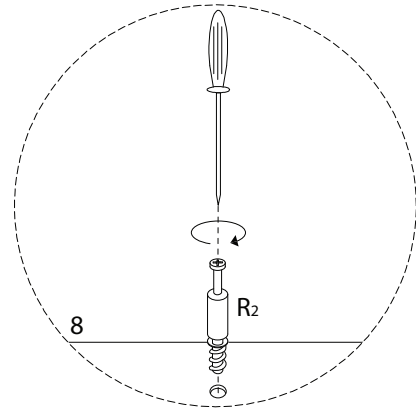
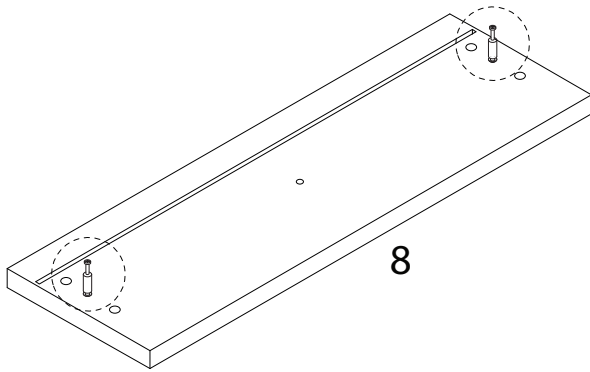
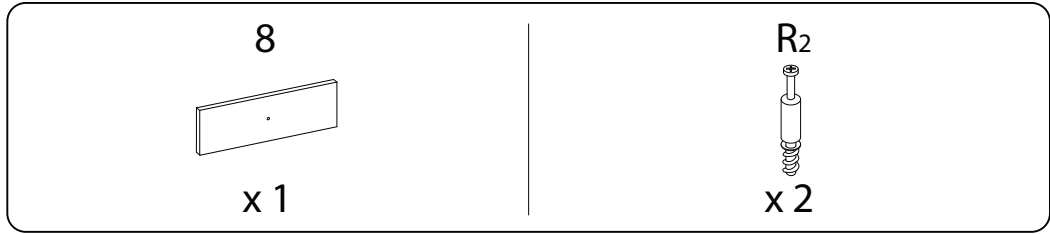
x 2



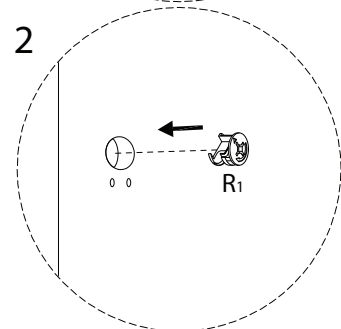
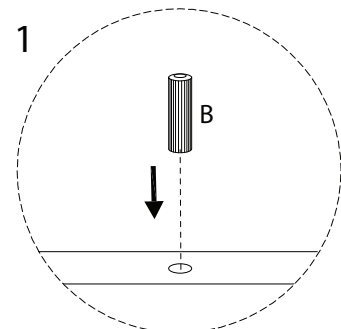
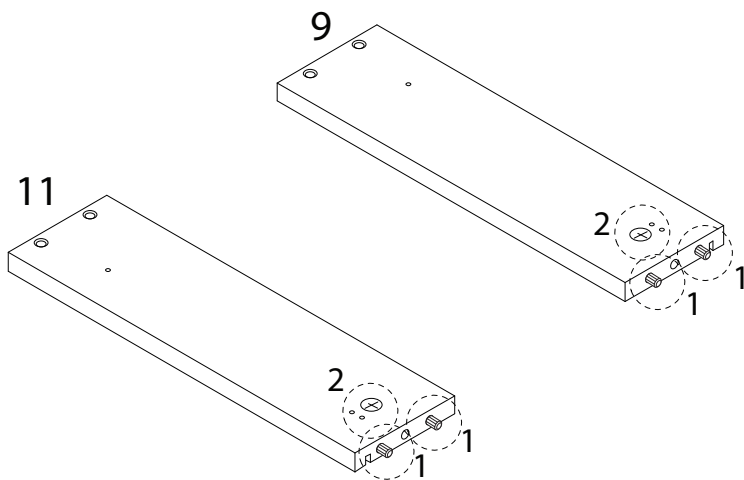
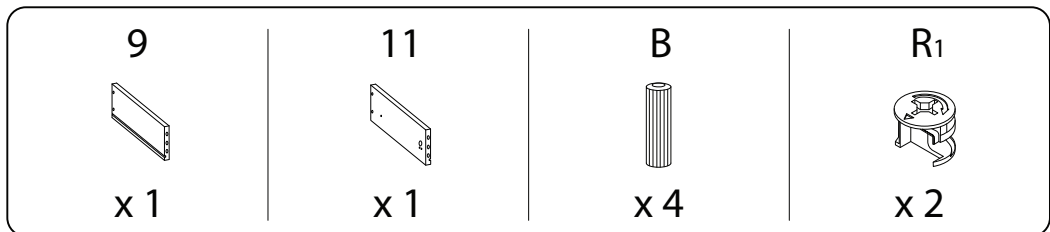
!



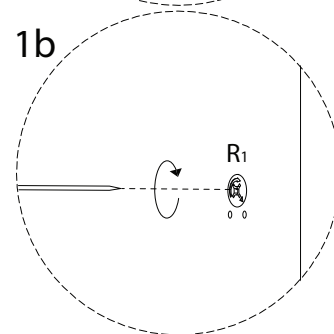
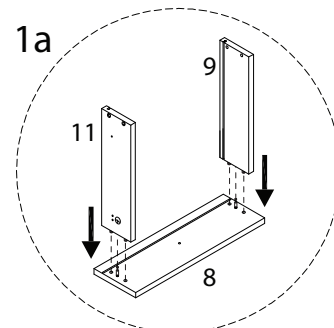
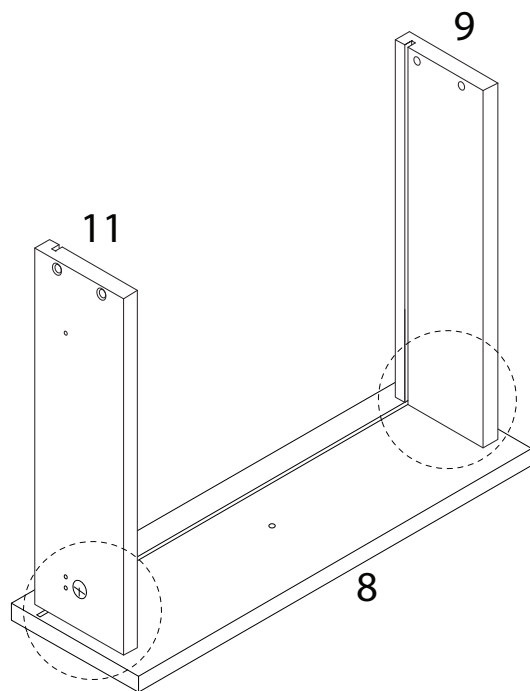
13 x 4



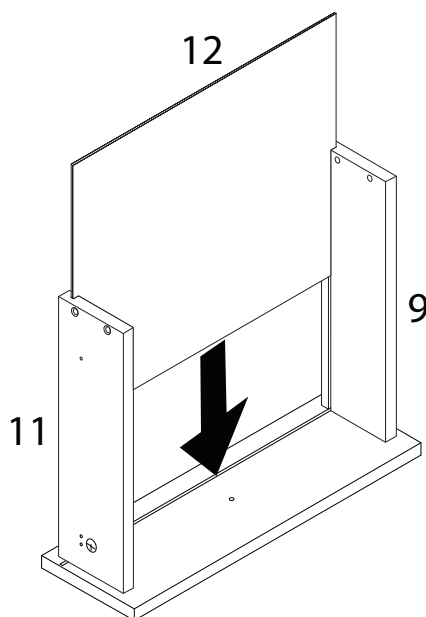
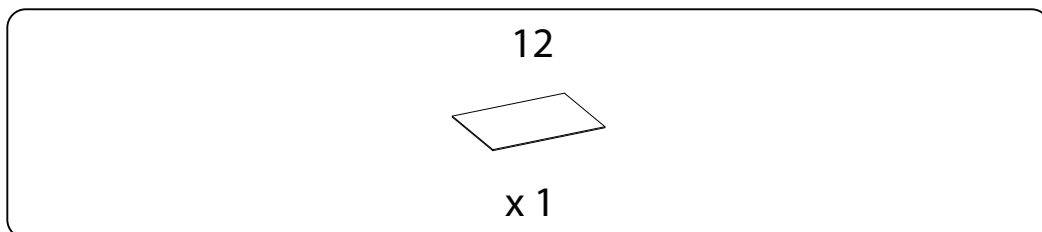
14 x 4



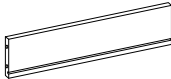

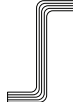
15 x 4

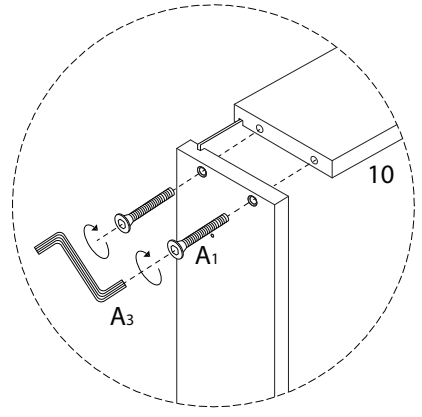
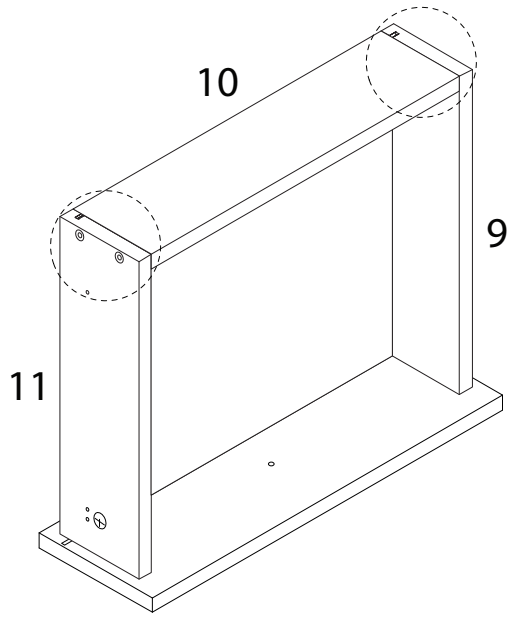


16 x 4


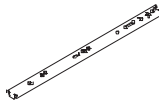


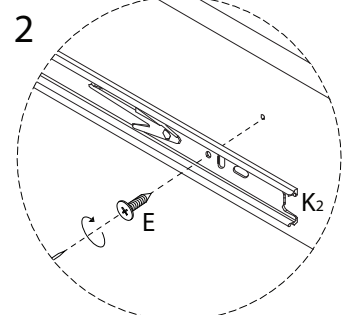
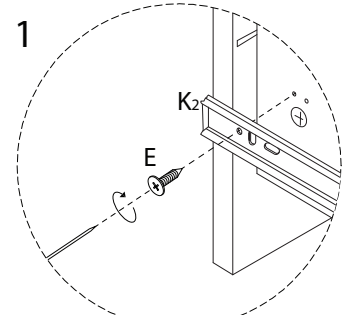
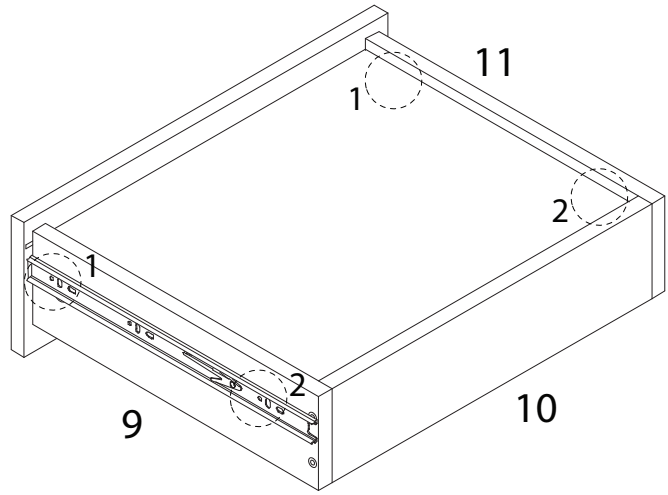
17 x 4

10  x 1	A1 M6.3 x 50 x 4 	A3  x 1
------------------------------------------------------------------------------------------------	-------------------------------------------------------------------------------------------------------------------	--------------------------------------------------------------------------------------------------



18 x 4

E M6.3 x 16 x 4 	K2  x 2
--------------------------------------------------------------------------------------------------------------------	----------------------------------------------------------------------------------------------------



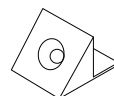
19 x 4

E

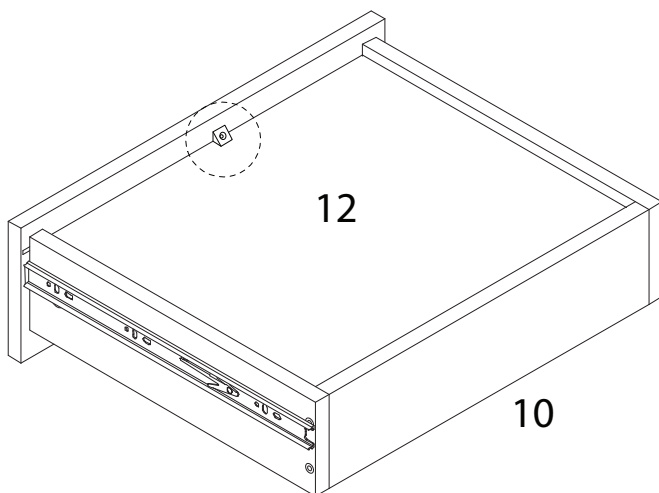


x 1

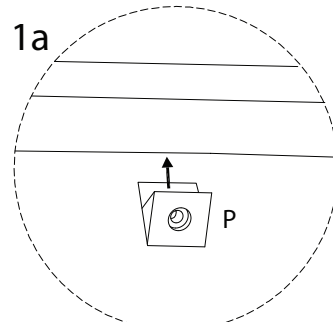
P



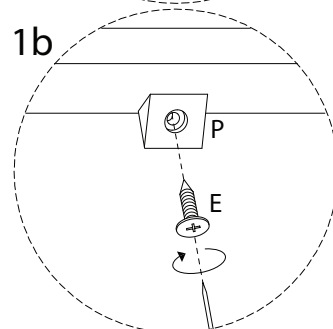
x 1



1a



1b



20 x 4

E8

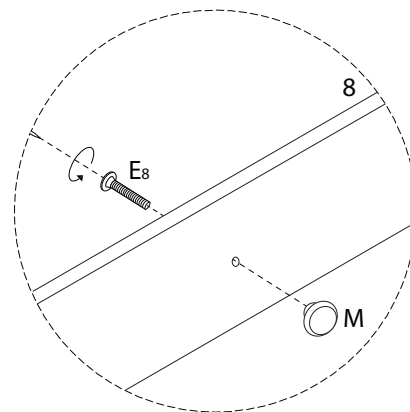
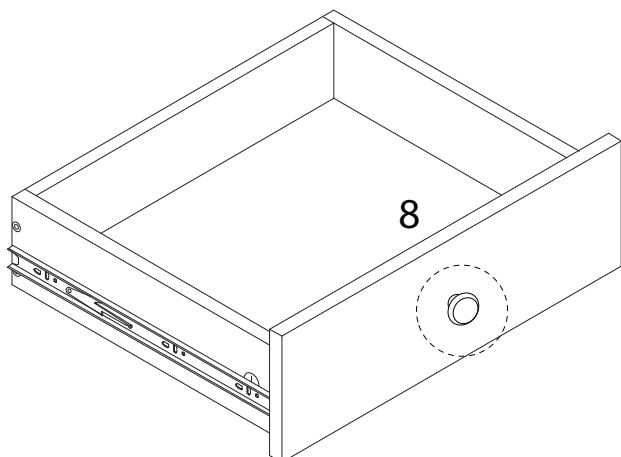


x 1

M

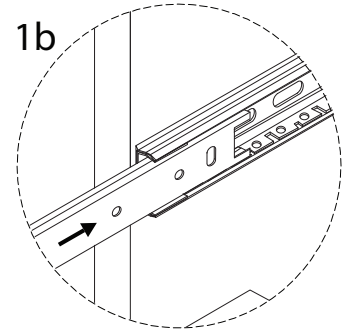
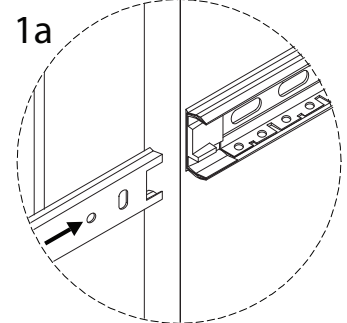
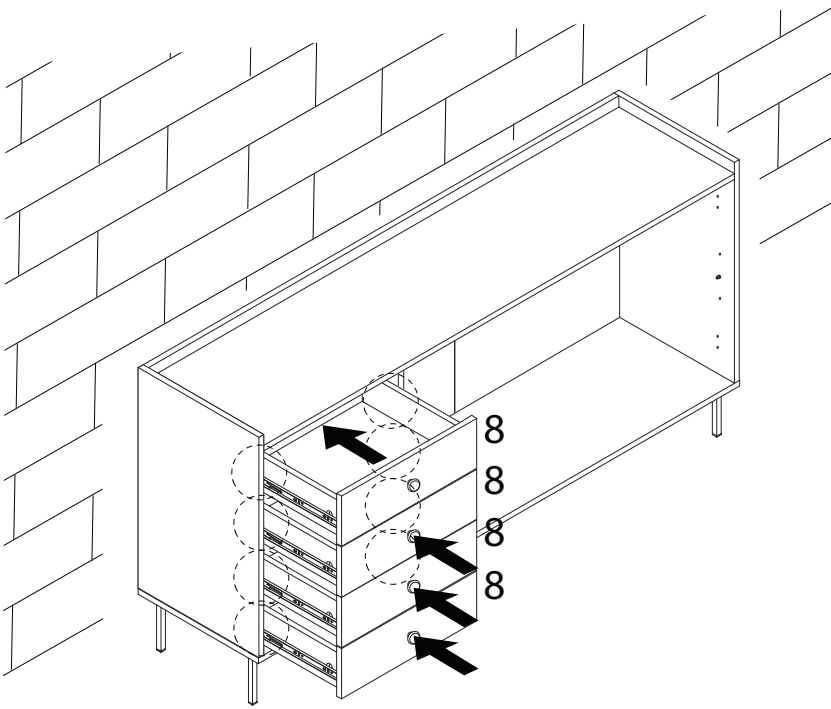


x 1





21

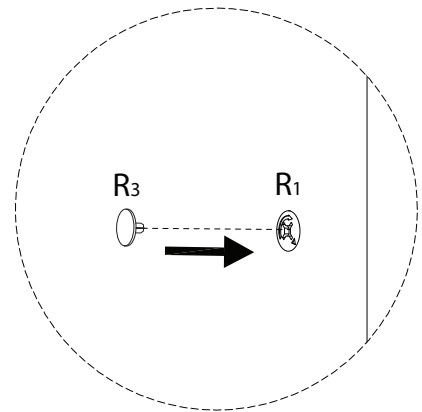
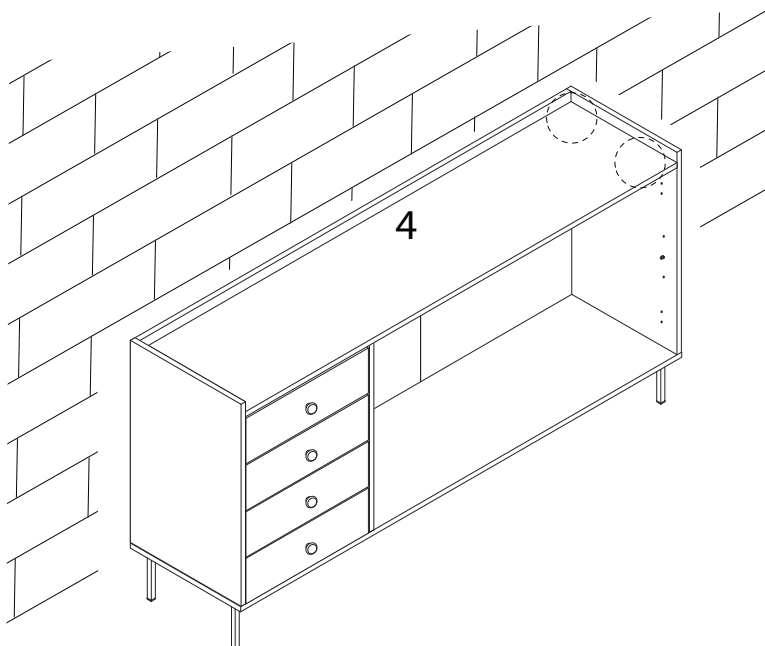


22

R<sub>3</sub>



x 2

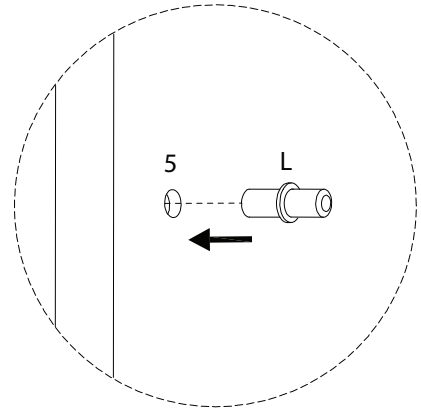
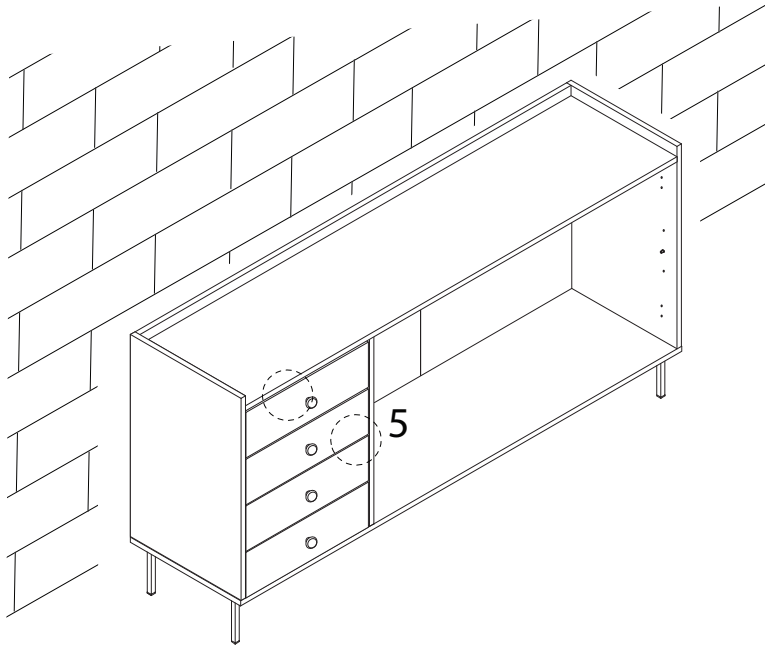


23

L



x 2

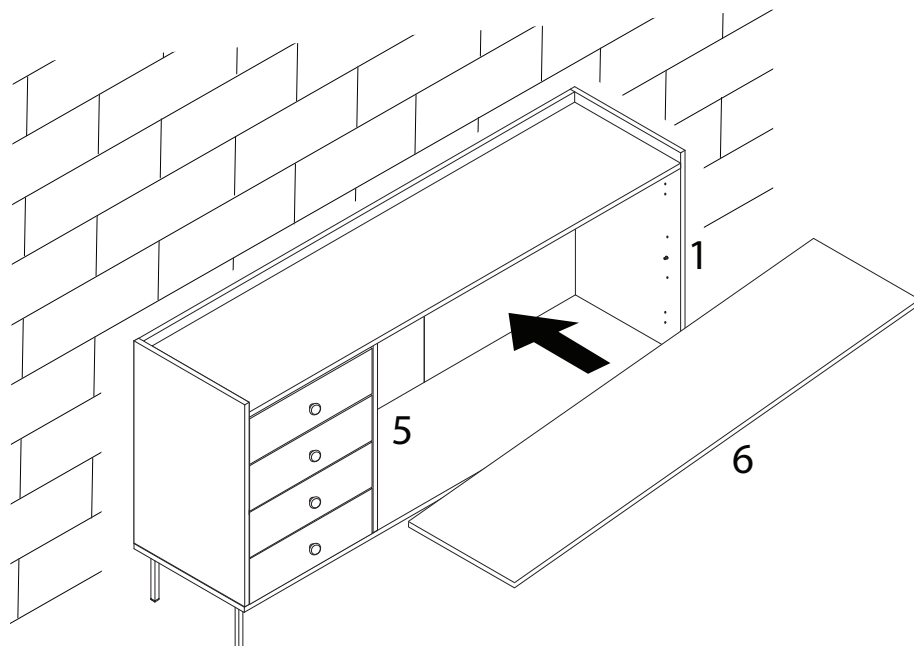


24

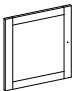


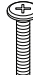
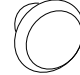
6

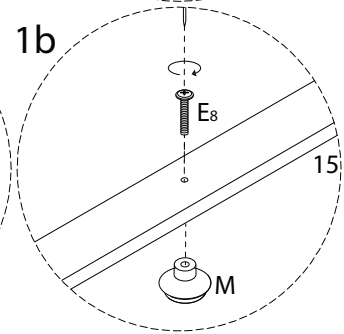
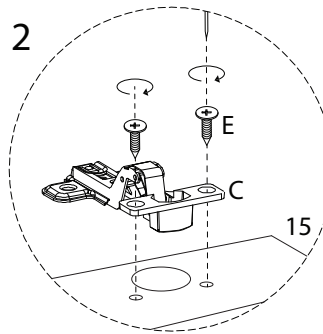
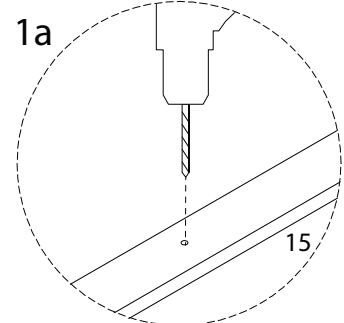
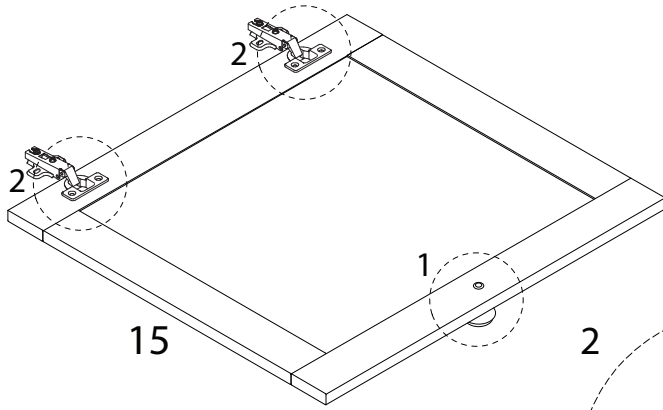


x 1




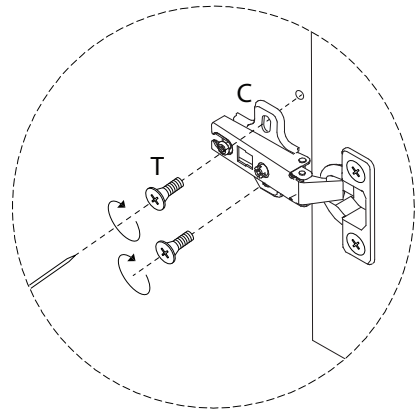
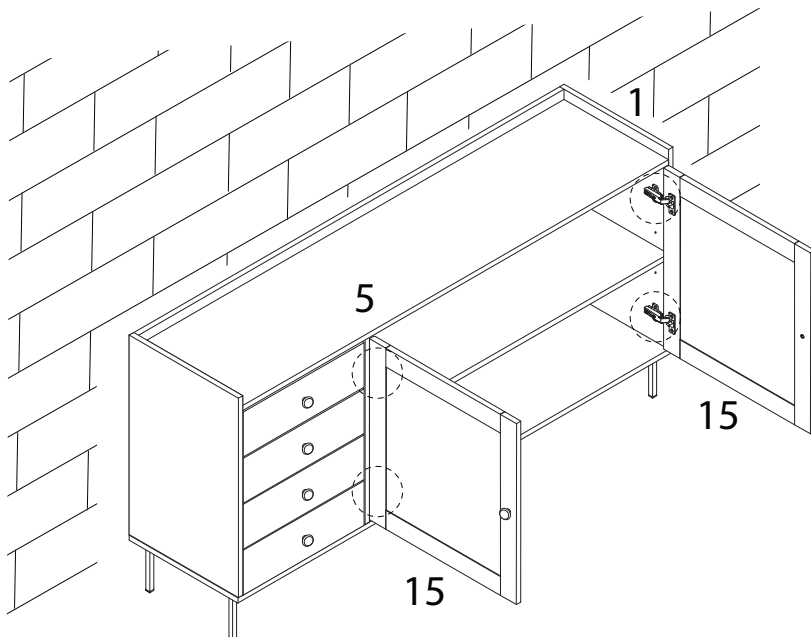
25 x 2

15  x 1	C  x 2	E  M6.3 x 16 x 4	E8  M4 x 20 x 1	M  x 1
------------------------------------------------------------------------------------------------	-----------------------------------------------------------------------------------------------	---------------------------------------------------------------------------------------------------------------	----------------------------------------------------------------------------------------------------------------	-------------------------------------------------------------------------------------------------

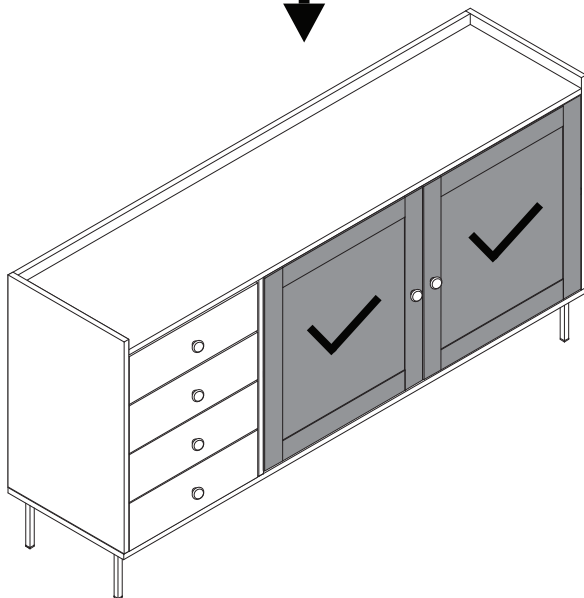
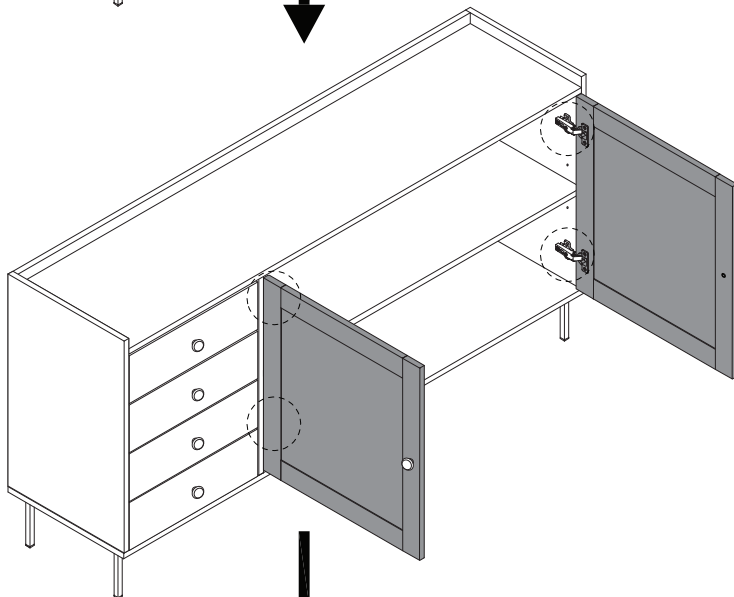
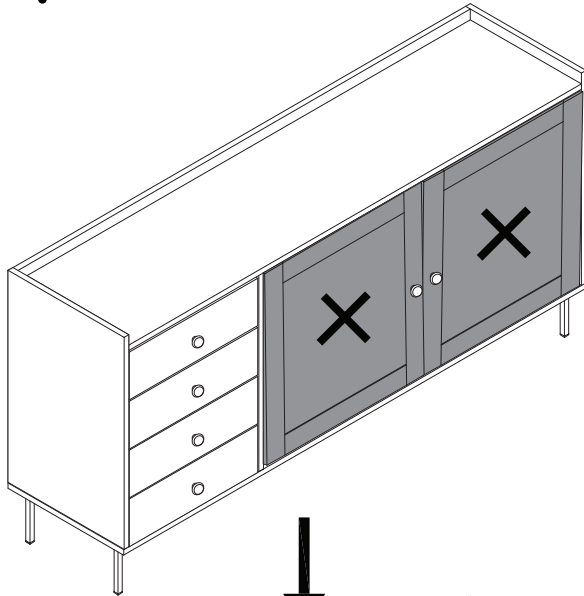


26

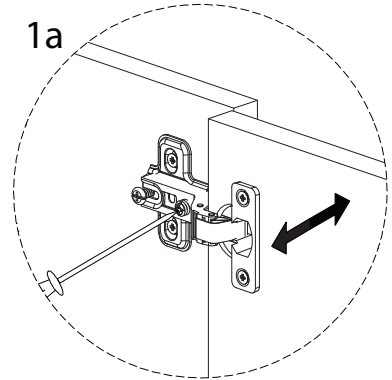
T  M6.3 x 13 x 8
-----------------------------------------------------------------------------------------------------------------



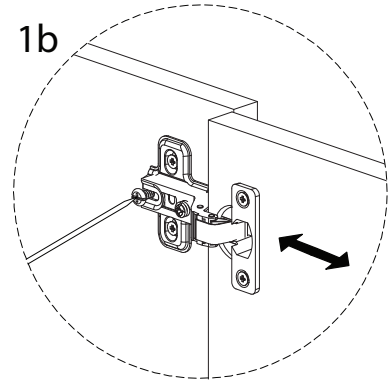
!



1a



1b



1c

