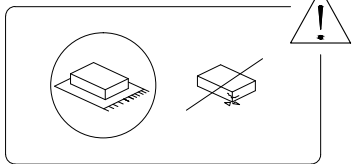


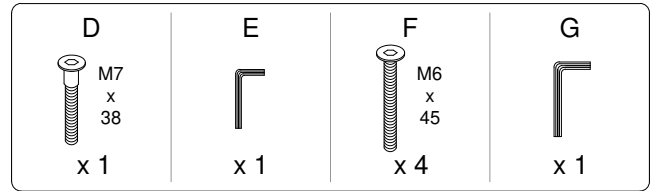
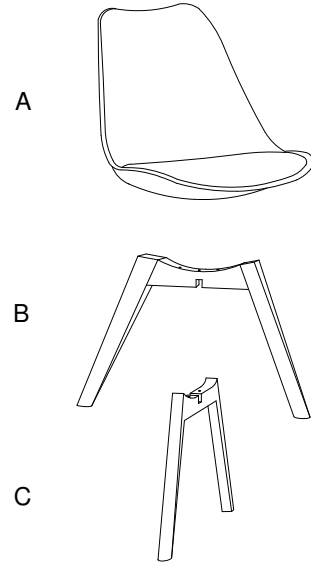
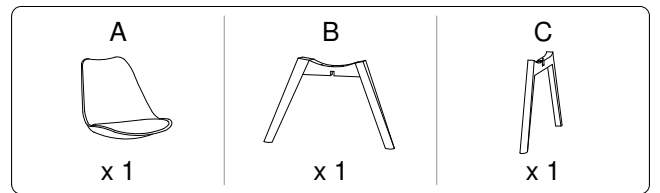
20'



1

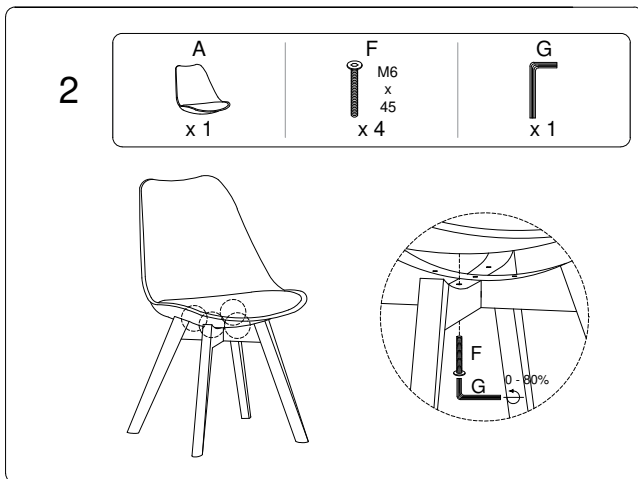
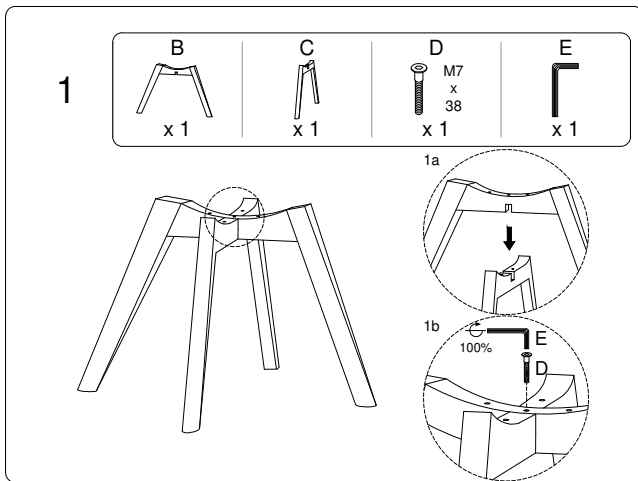
1/4

657/DAKOTA.II/270618



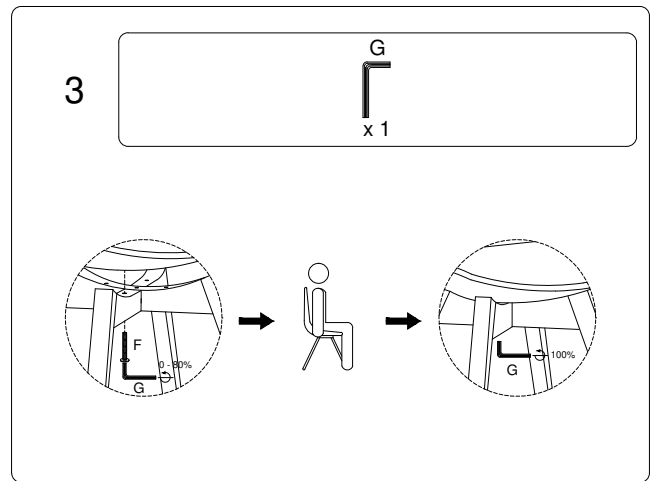
2/4

657/DAKOTA.II/270618



3/4

657/DAKOTA.II/270618



4/4

657/DAKOTA.II/270618