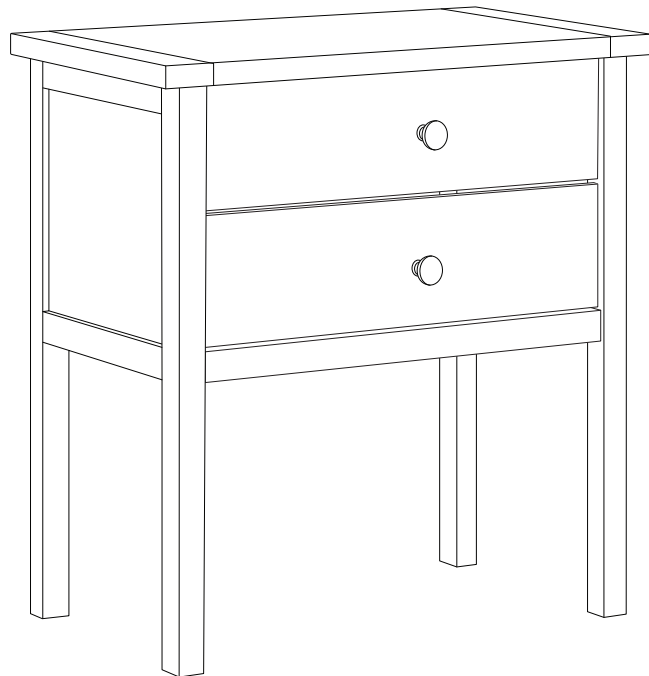
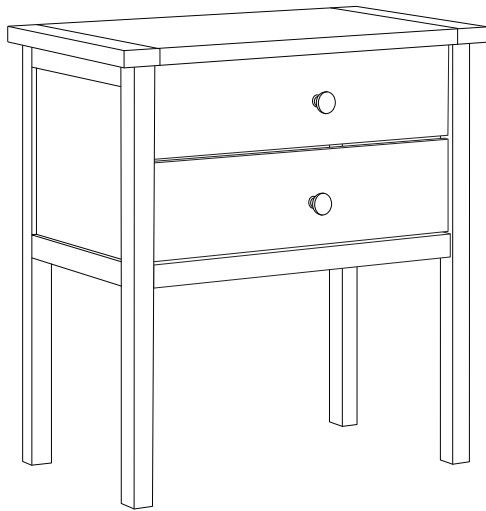


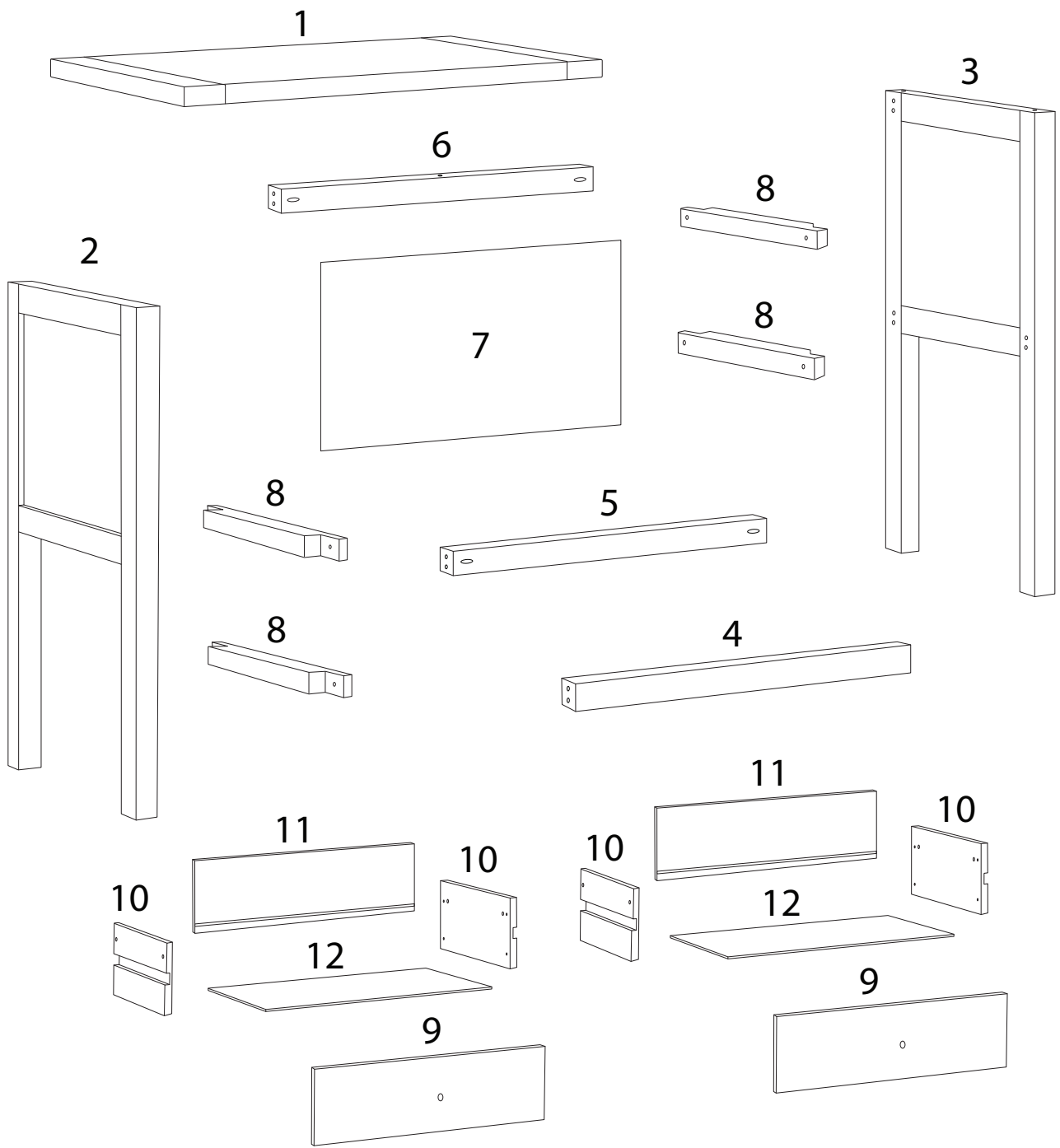
SALTON

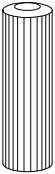
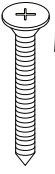
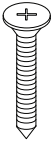
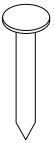
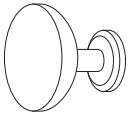
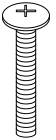




Assembly instructions for step 1/8:

- Tools:** A circle containing a screwdriver and a hammer, and a crossed-out power drill.
- Warning:** A triangle with an exclamation mark.
- Time:** A clock icon with the text "50'".
- Personnel:** A stick figure icon with the text "1".



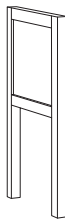
A	B	C	D	E	F
					
x 20	x 11	x 24	x 16	x 2	x 2

1



x 1

2



x 1

3



x 1

4



x 1

5



x 1

6



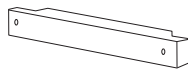
x 1

7



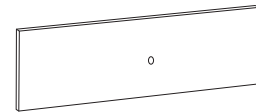
x 1

8



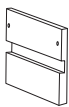
x 4

9



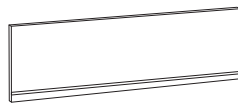
x 2

10



x 4

11



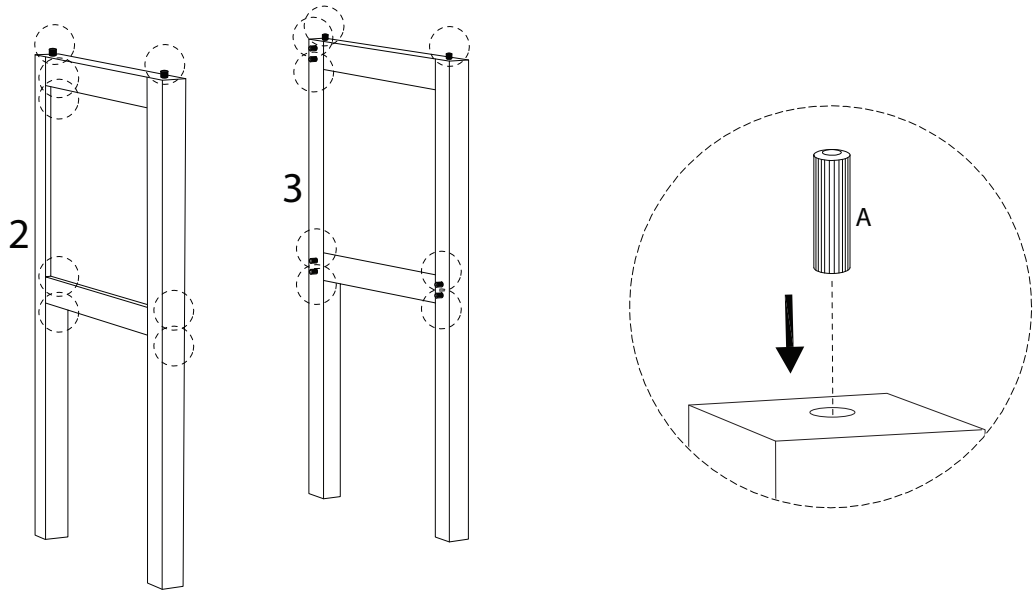
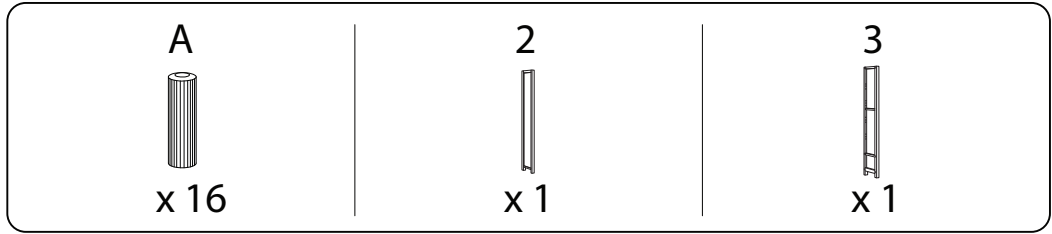
x 2

12

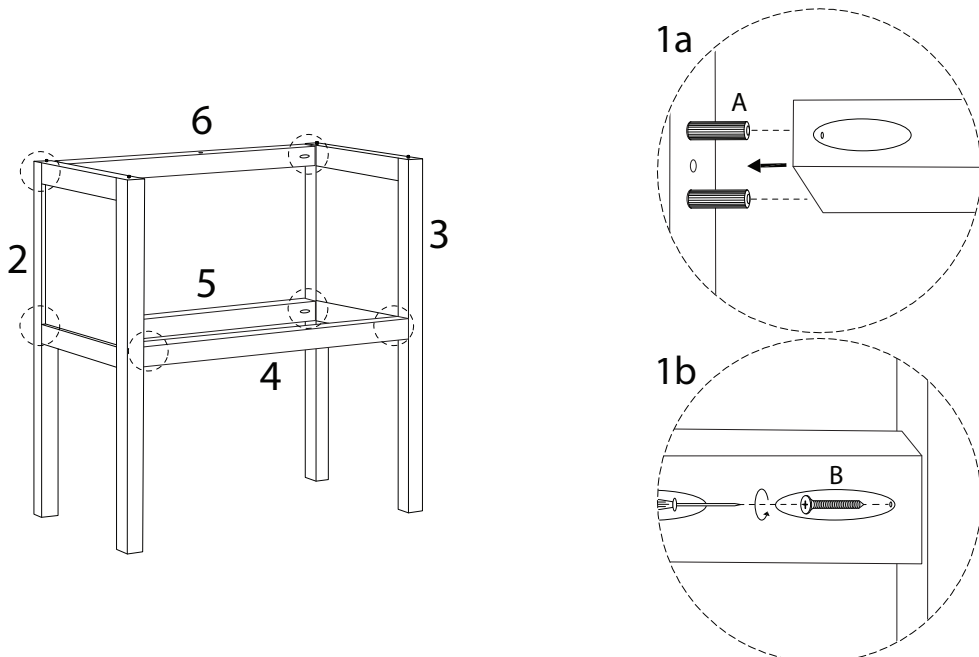
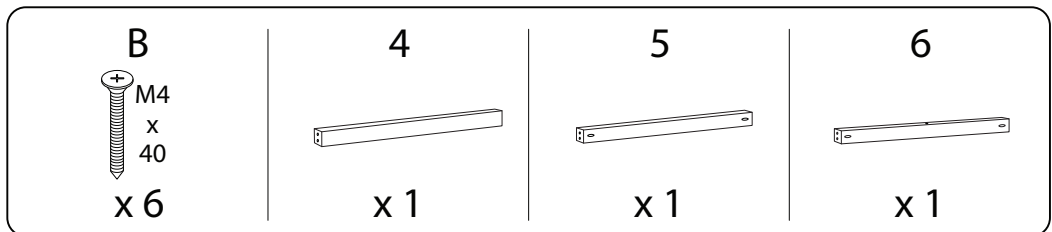


x 2

1



2



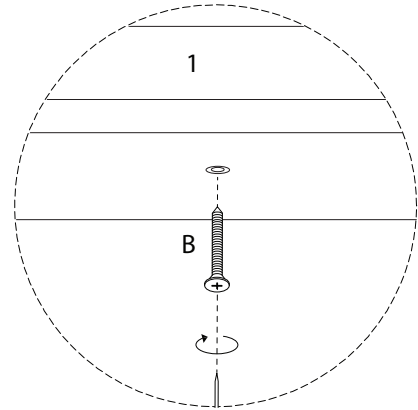
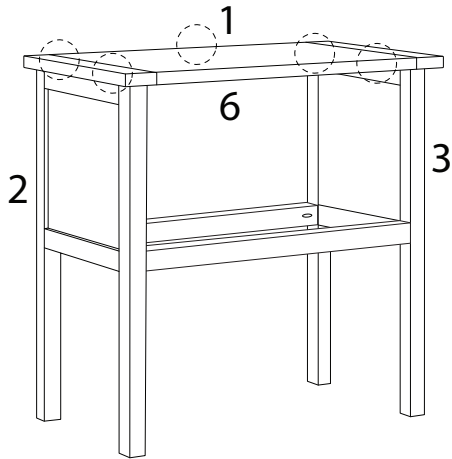
3

B
M4
x
40
x 5

1



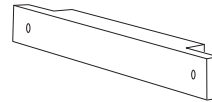
x 1



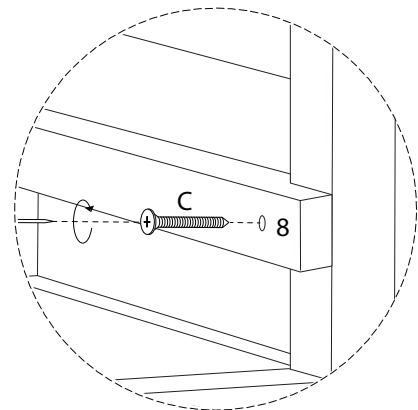
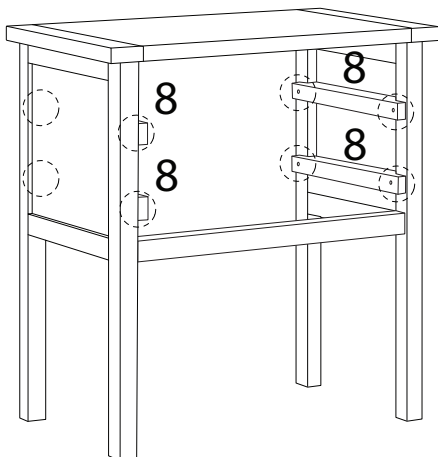
4

C
M3
x
30
x 8

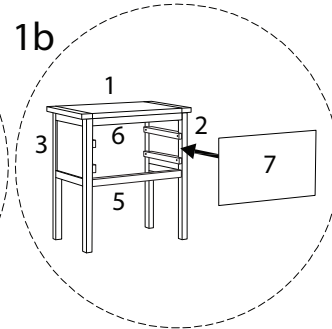
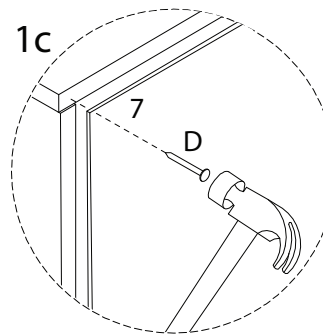
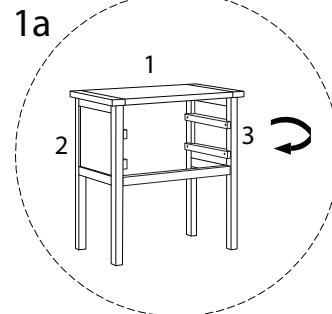
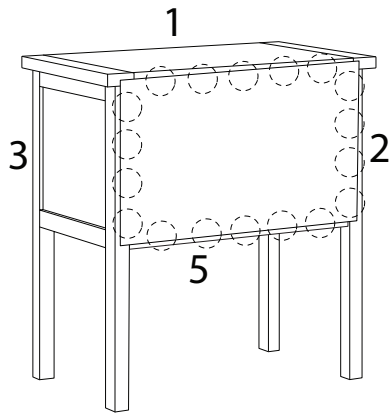
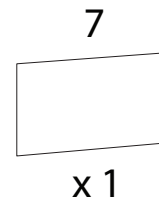
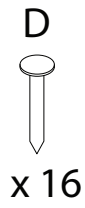
8



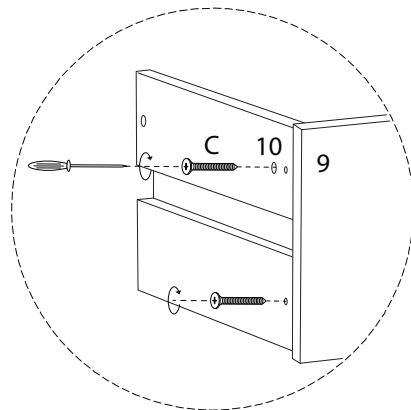
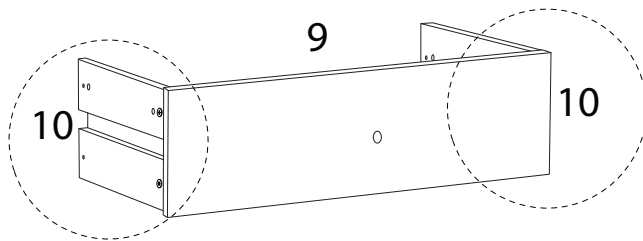
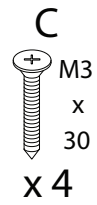
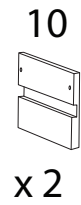
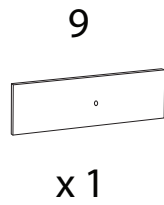
x 4



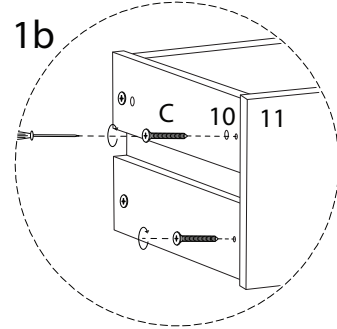
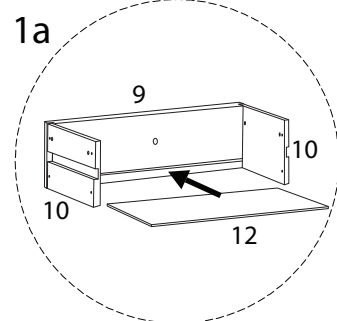
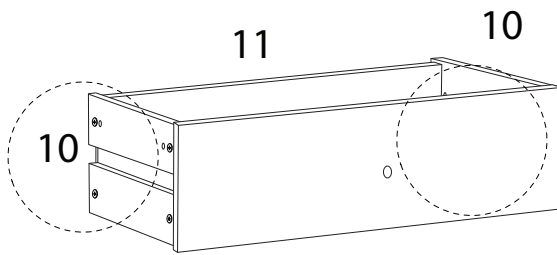
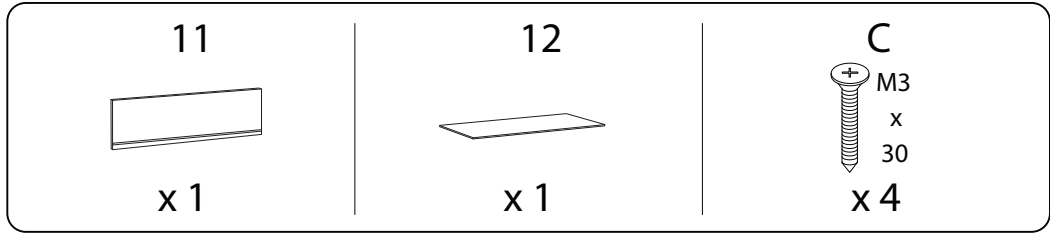
5



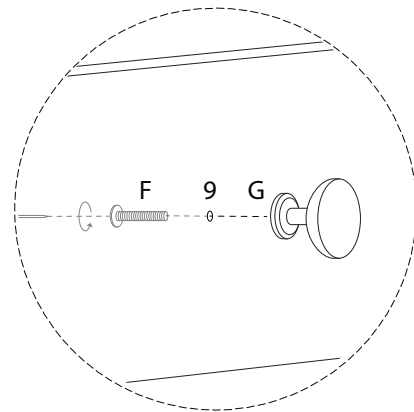
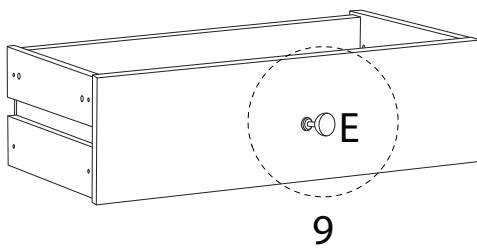
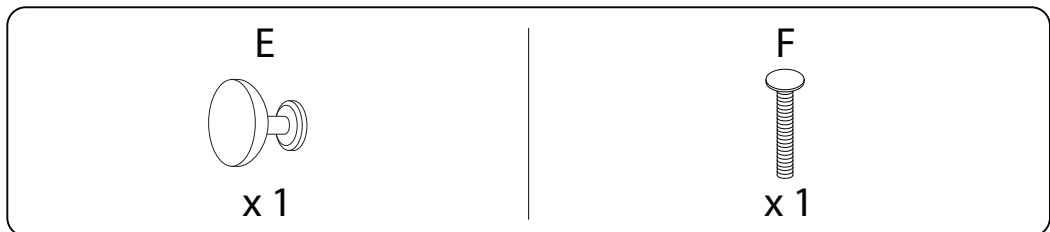
6 x 2




7 x 2

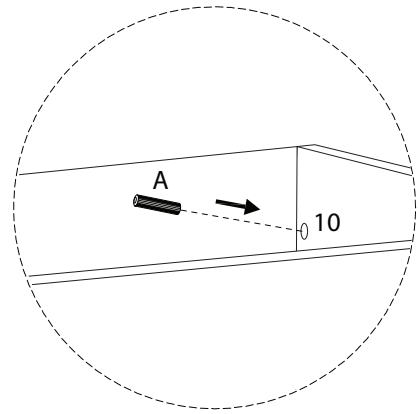
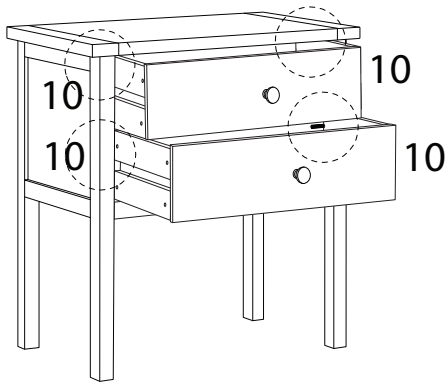


8 x 2



9

A

x4



!

