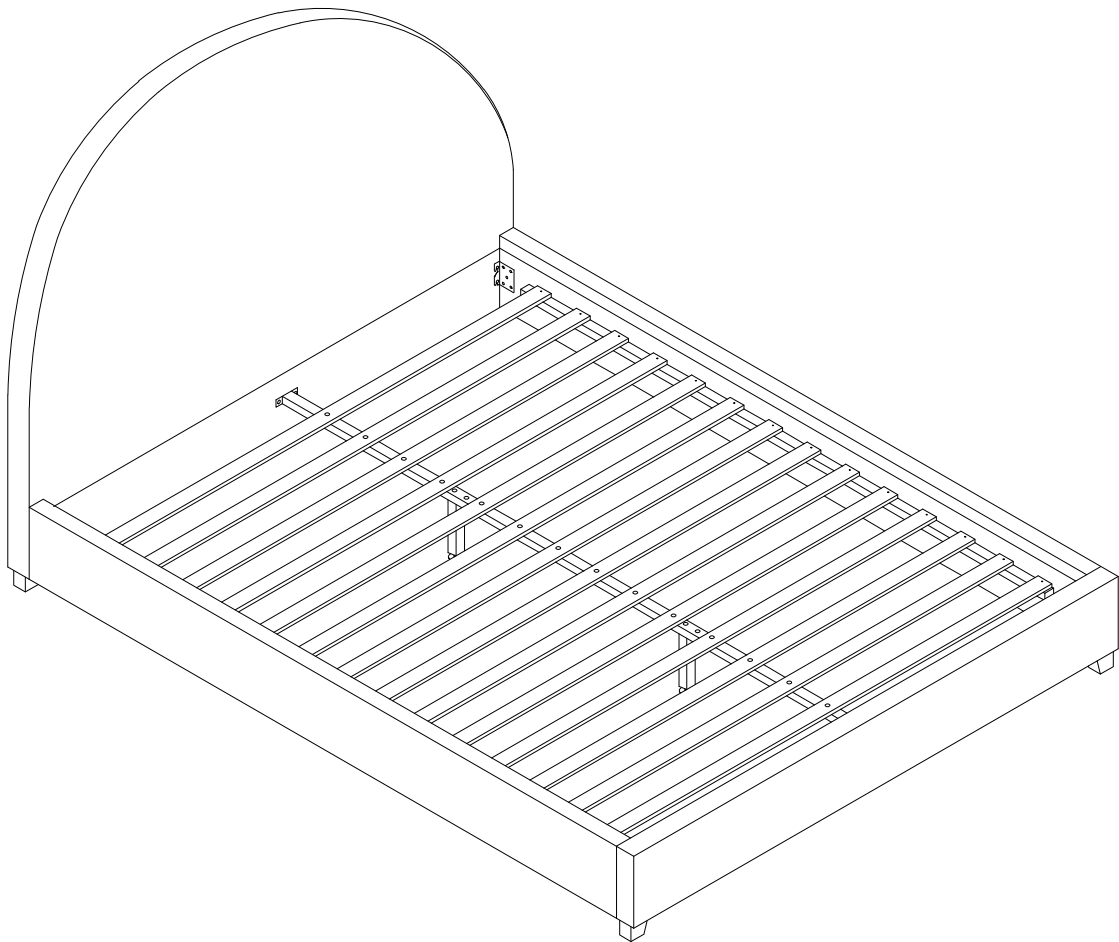
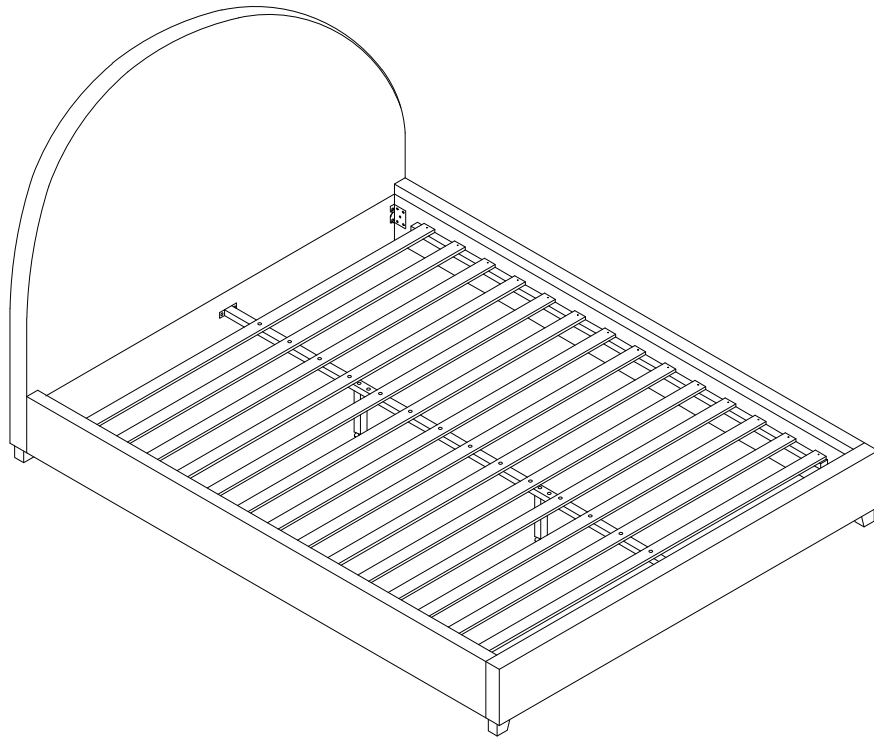


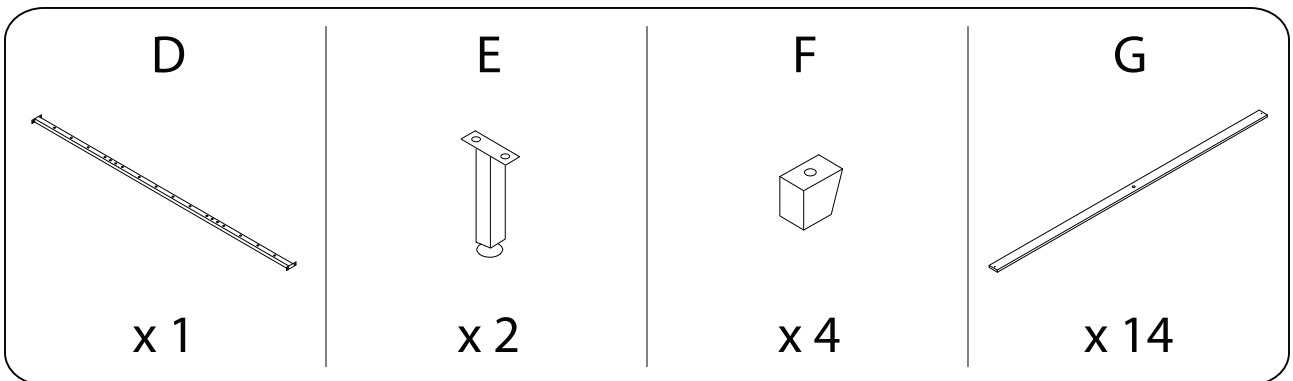
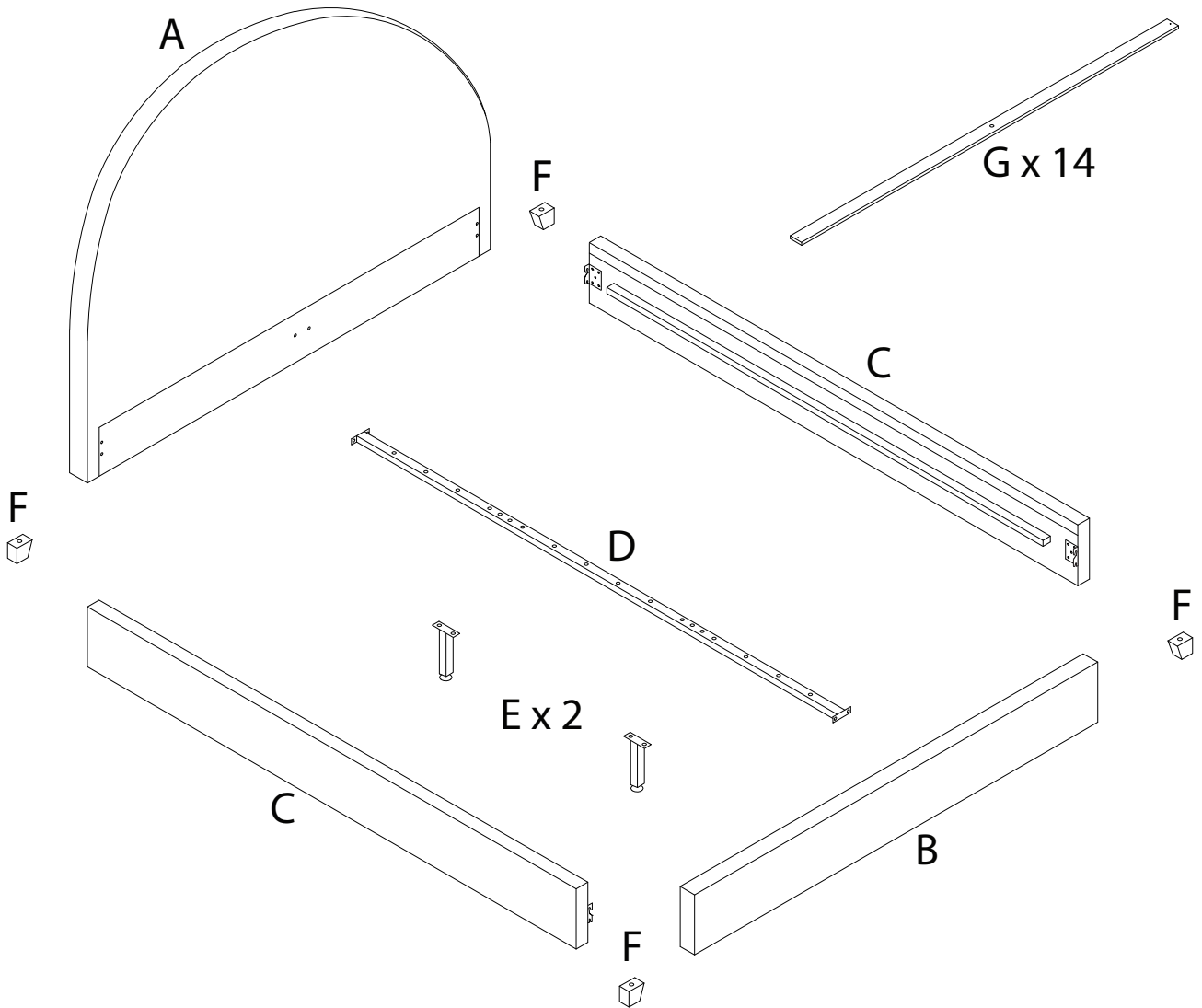
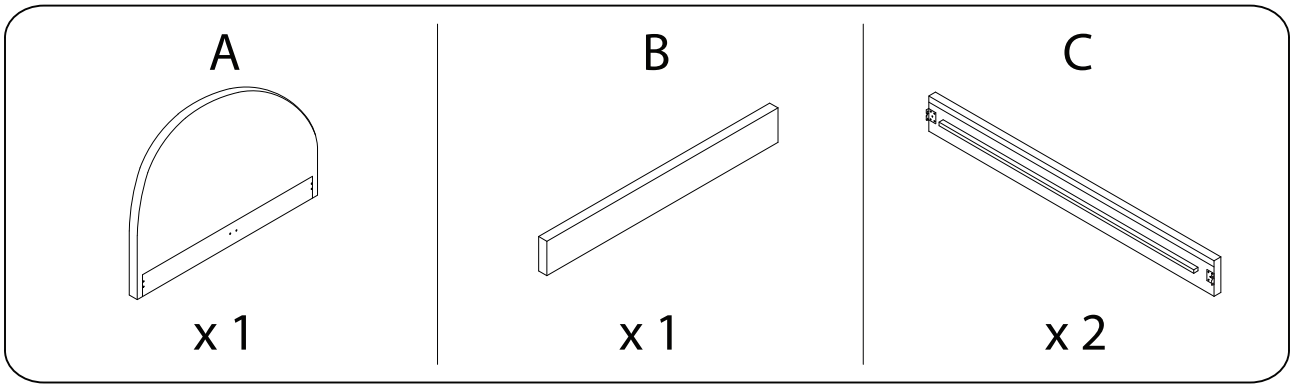
# VAUCLUSE



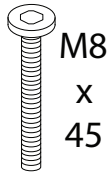


Assembly instructions for step 1/6:

- Tools:** A circle containing an Allen key, a screwdriver, and a wrench. A power drill is shown with a diagonal line through it, indicating it is not to be used.
- Warning:** A triangle with an exclamation mark.
- Time:** A clock icon with a circular arrow, indicating a 45-minute duration.
- Personnel:** A stick figure icon with the number 2 below it, indicating that two people are required for assembly.

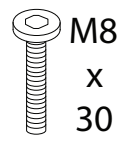


H



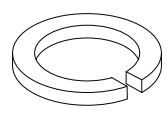
x 22

I



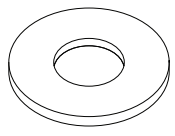
x 12

J



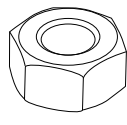
x 20

K



x 34

L



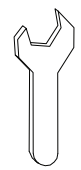
x 18

M



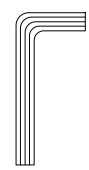
x 28

N



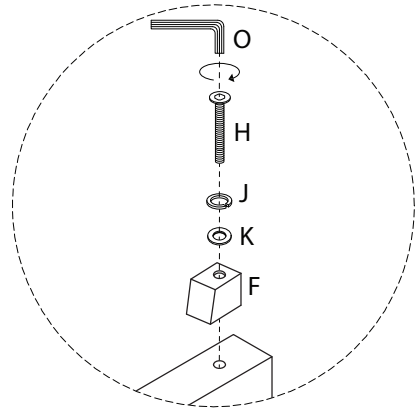
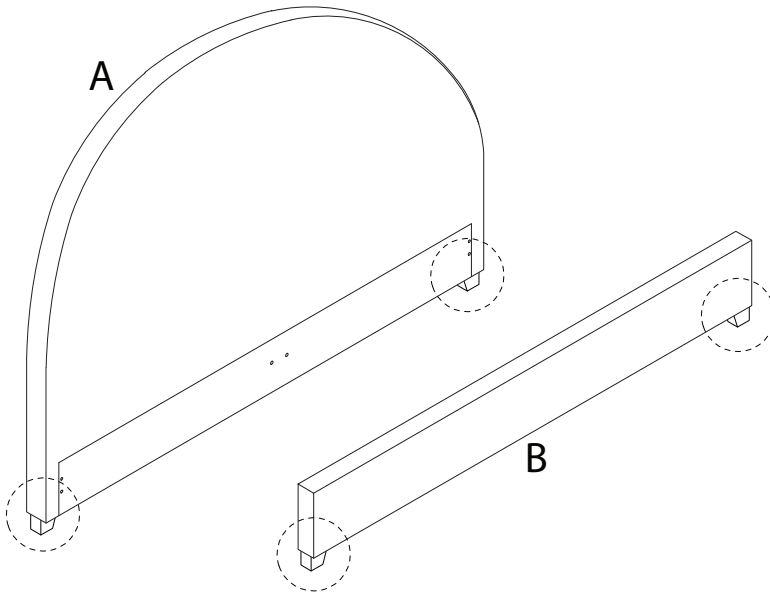
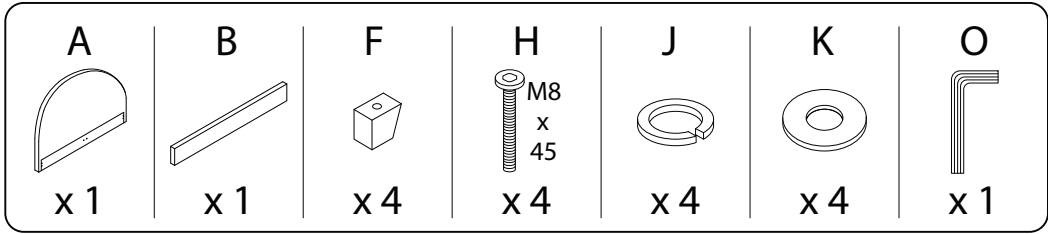
x 1

O

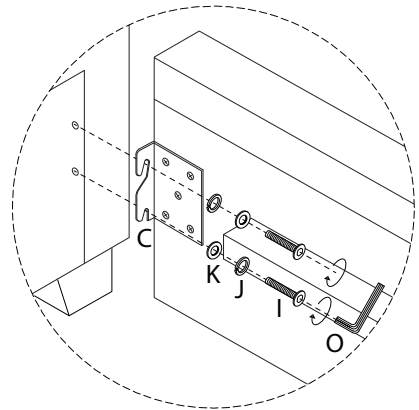
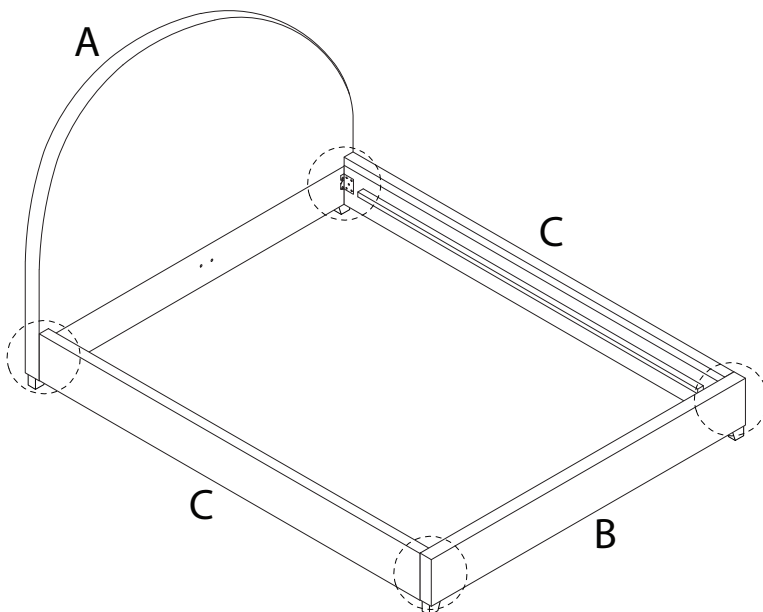
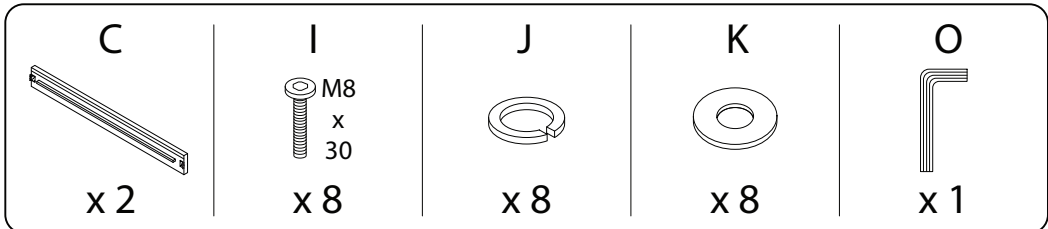


x 1


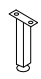
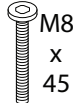
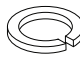
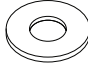
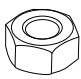

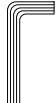
1

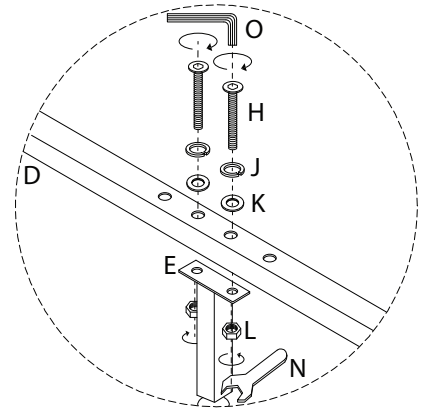
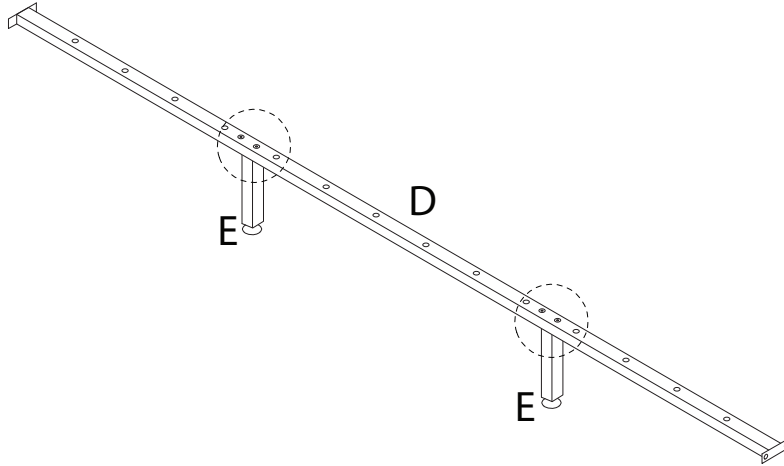


2


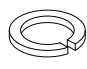
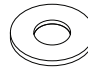
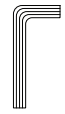


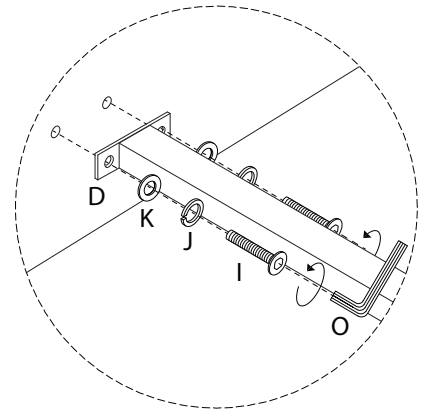
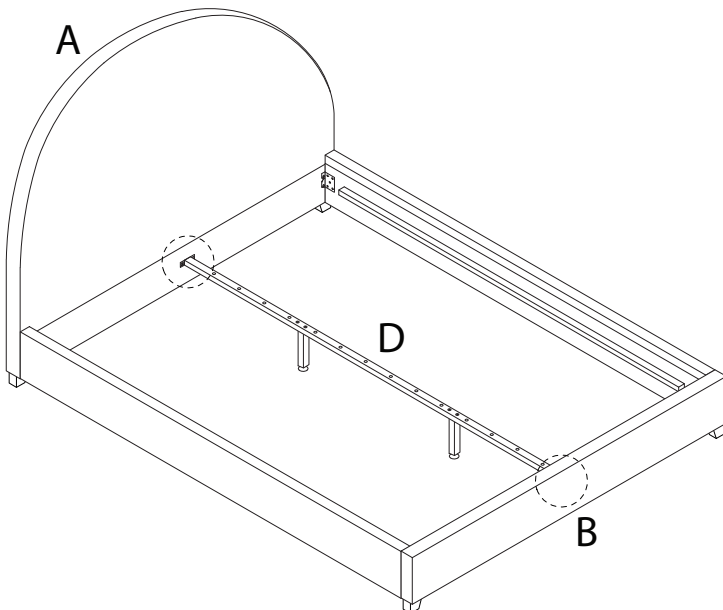
3

D	E	H	J	K	L	N	O
							
x 1	x 2	x 4	x 4	x 4	x 4	x 1	x 1

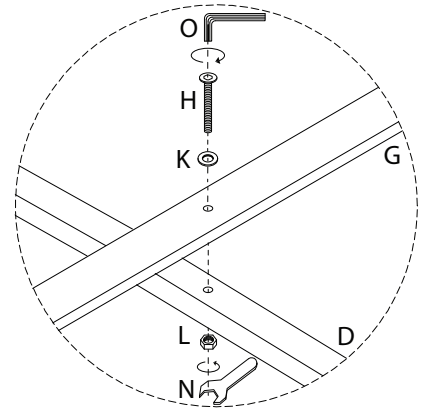
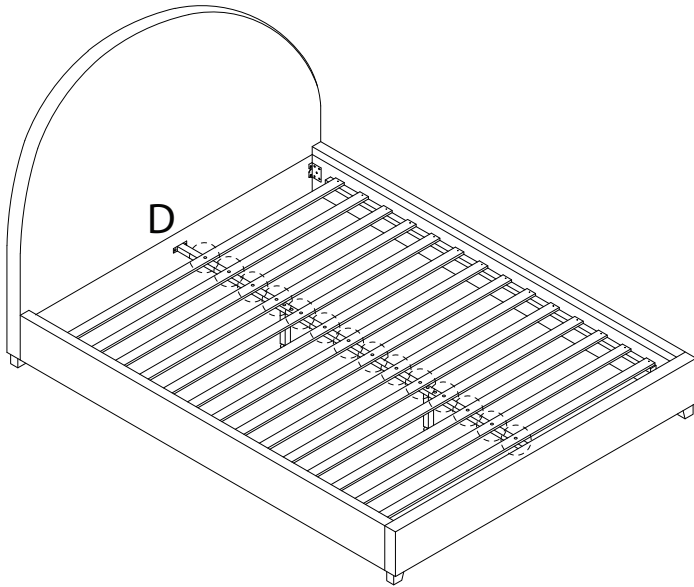
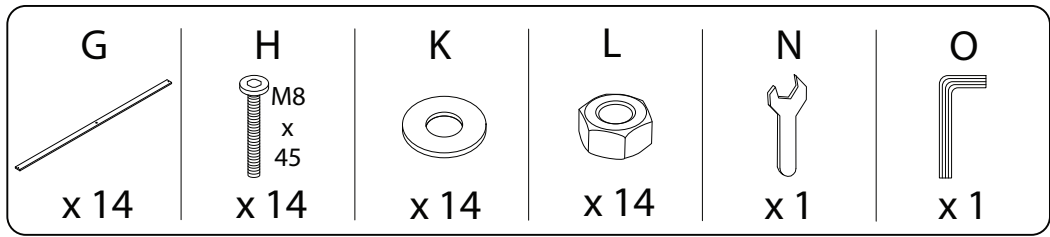


4

I	J	K	O
			
x 4	x 4	x 4	x 1



5



6

