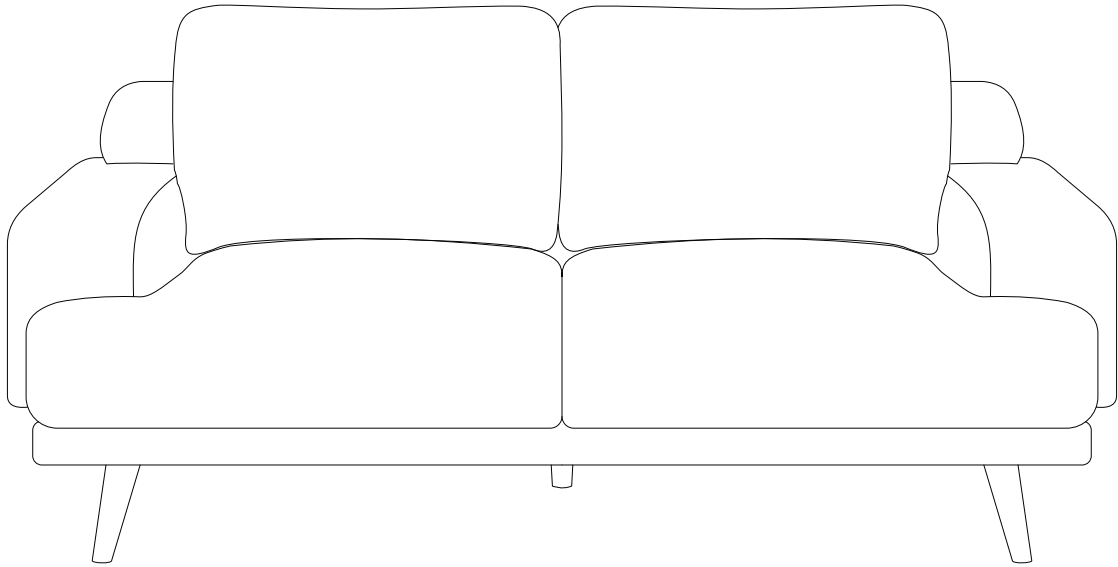
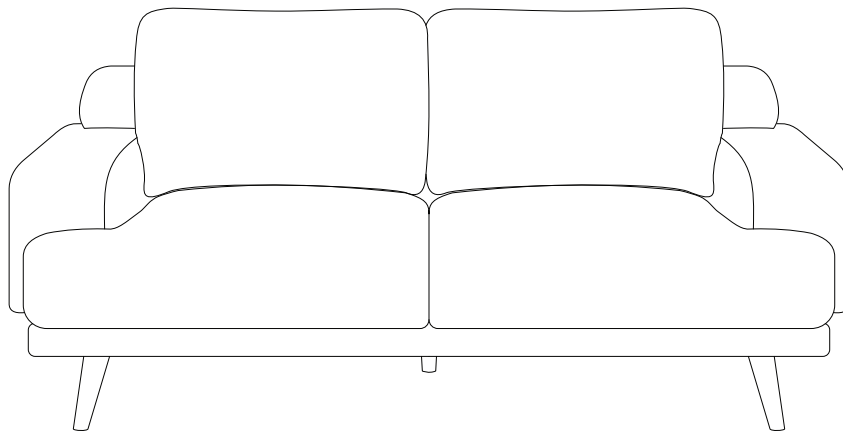


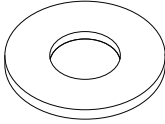
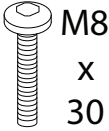



DALUM

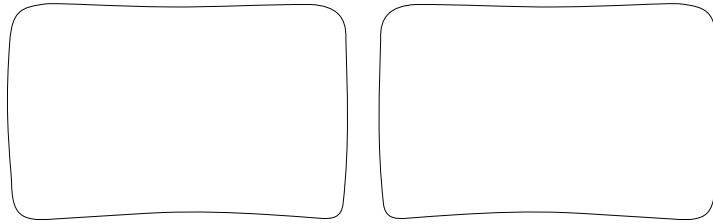




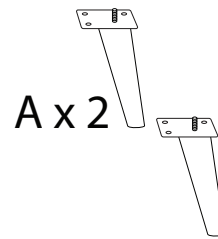
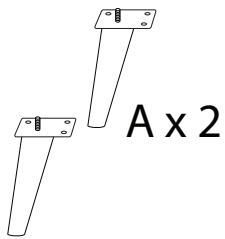
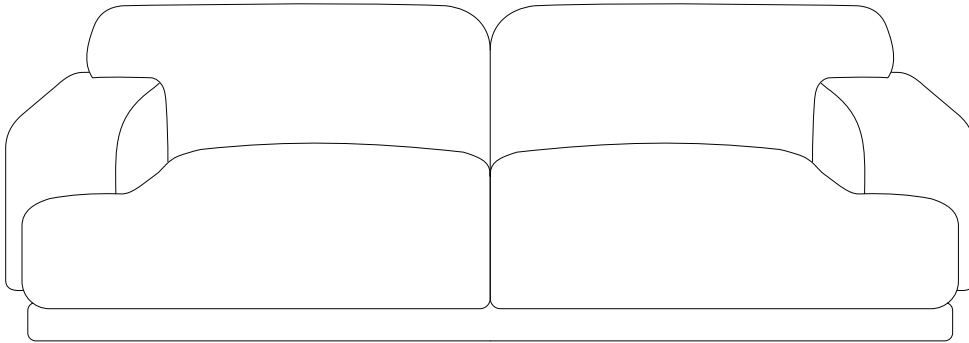
An icon showing an L-shaped metal bracket on the left and a power drill with a diagonal line through it on the right, indicating that a power drill should not be used for this step.	A warning triangle icon with an exclamation mark inside.	A circular icon with a clock face and a curved arrow, representing a time limit.
An icon showing a rectangular block on a mat with a hatched pattern on the left, and a rectangular block with a diagonal line through it on the right, indicating that the block should not be placed directly on the floor.	A warning triangle icon with an exclamation mark inside.	10'
		A simple line drawing of a person, representing the number of people required for the step.
		2

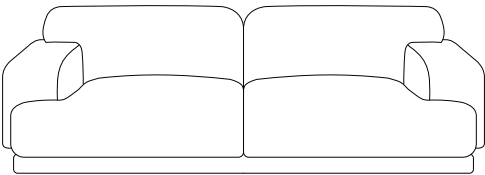
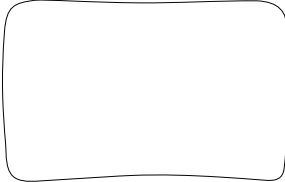
A	B	C	D	E
				
x 4	x 1	x 12	x 12	x 1

G x 2

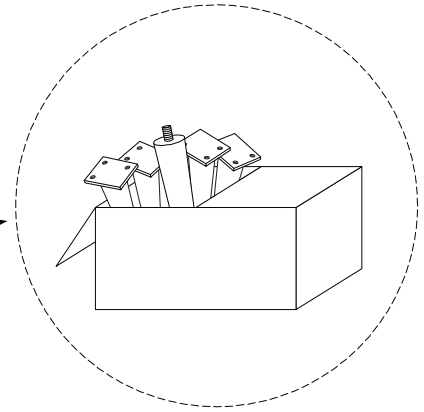
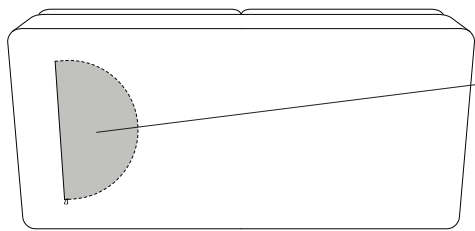
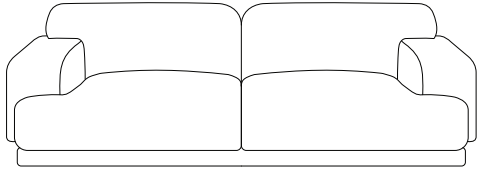


F

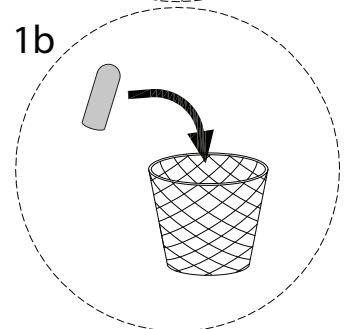
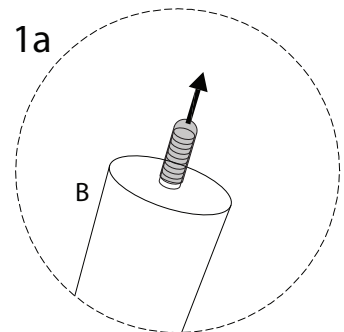
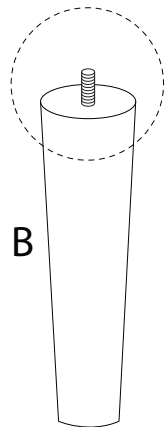


F	G
	
x 1	x 2

!

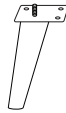


!



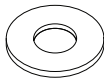
1

A



x 4

C



x 12

D



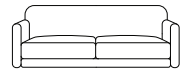
x 12

E

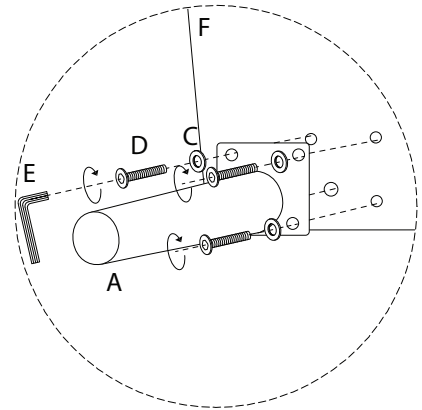
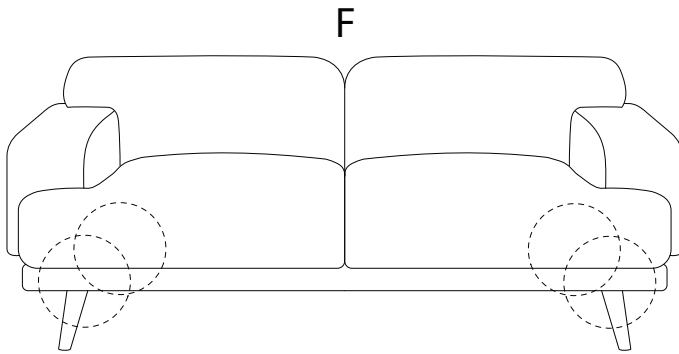


x 1

F



x 1

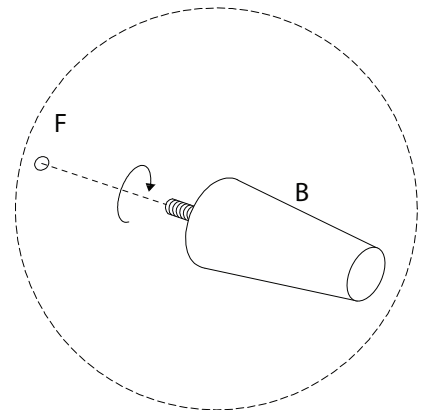
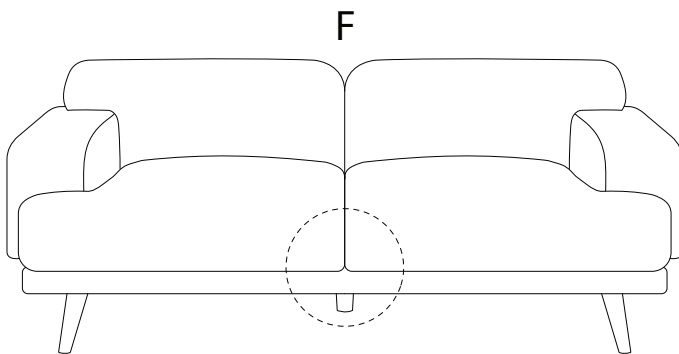


2

B



x 1



3

