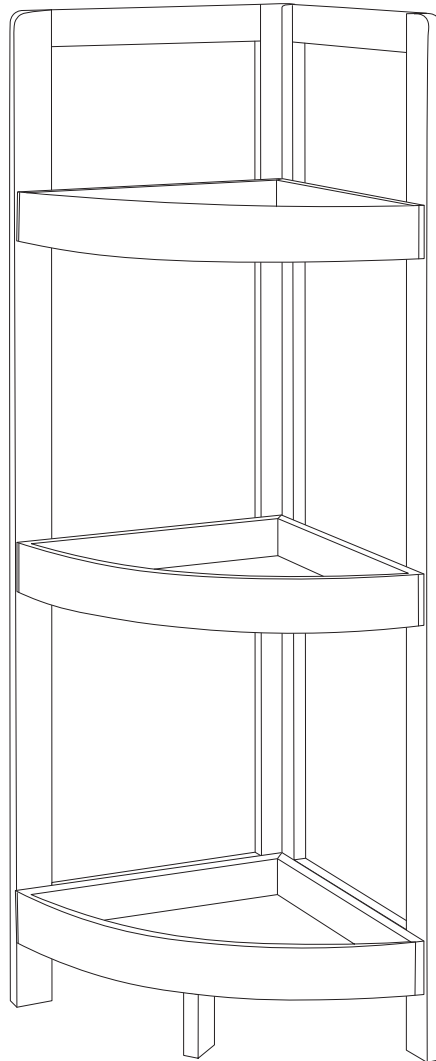
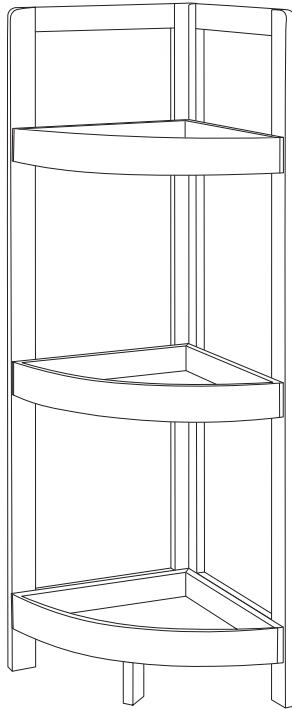


# ILLAMPU

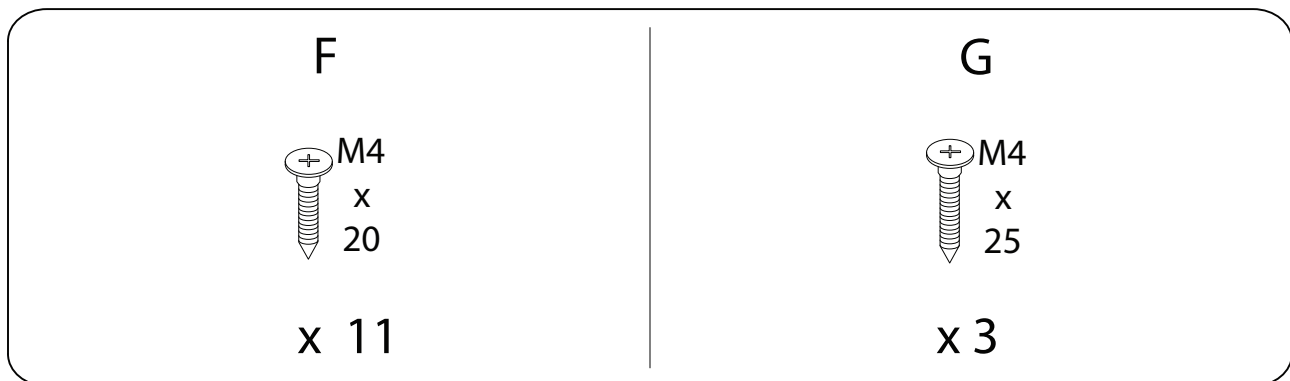
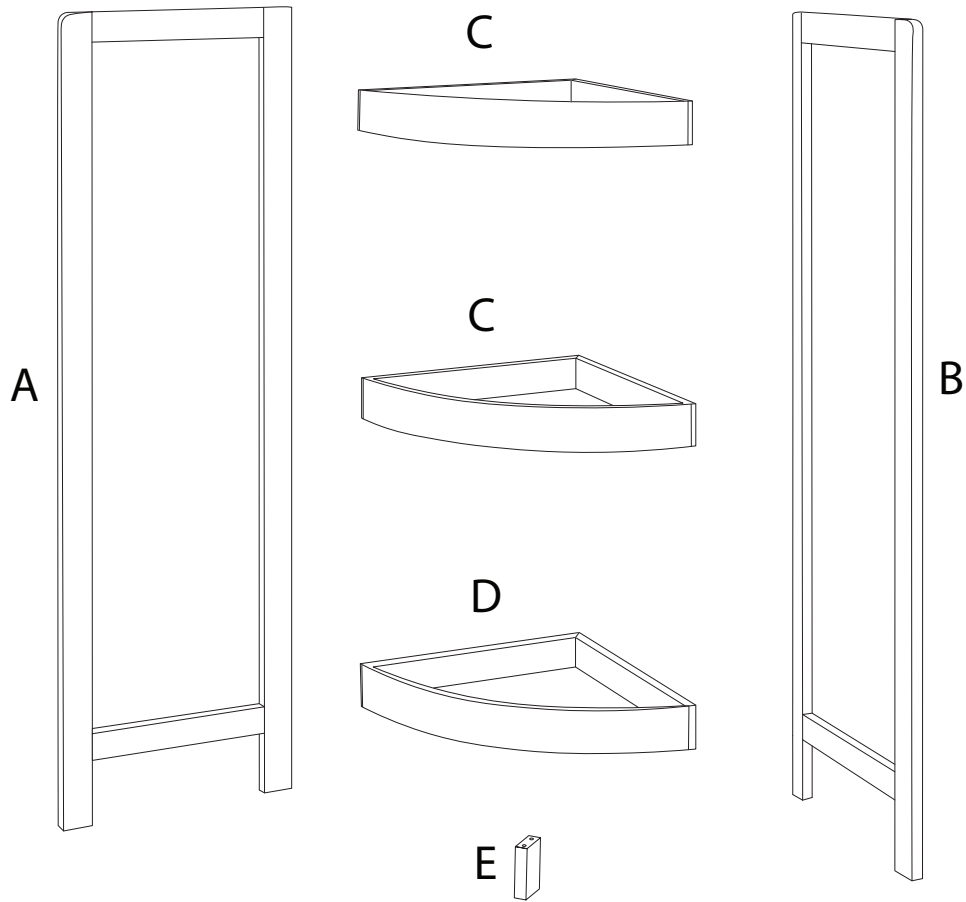
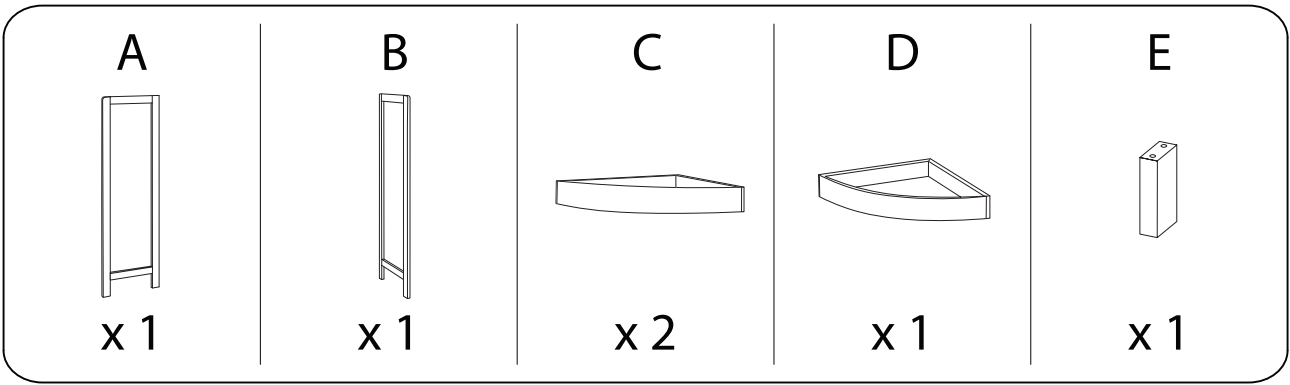




Assembly instructions for step 1/4:

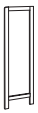
- Top section: Shows a screwdriver icon and a crossed-out power drill icon, indicating that a screwdriver should be used and a power drill should not. A warning triangle is present. To the right, a clock icon indicates a 20-minute duration.
- Bottom section: Shows a rectangular block being placed on a surface and a crossed-out block with a double-headed arrow indicating a gap, indicating that the block should be placed flat and not with a gap. A warning triangle is present. To the right, a person icon indicates that one person is required.

1/4



1

A



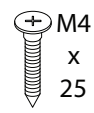
x 1

B

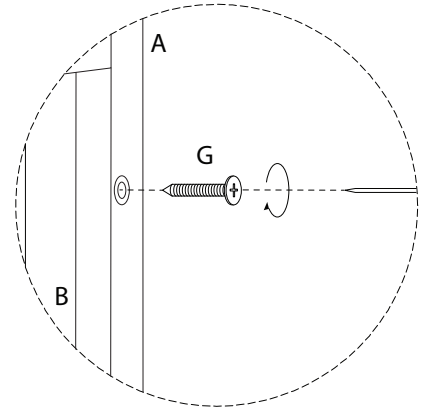
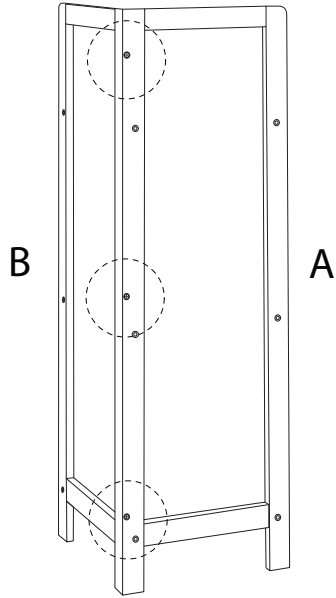


x 1

G

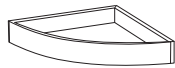


x 3



2

D



x 1

E

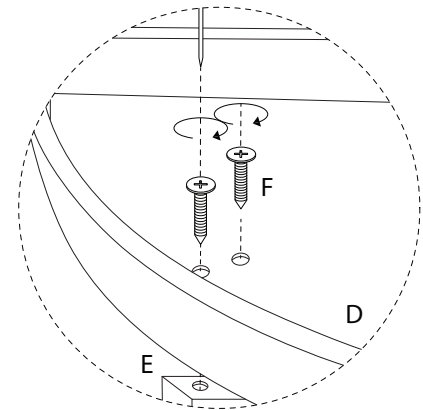
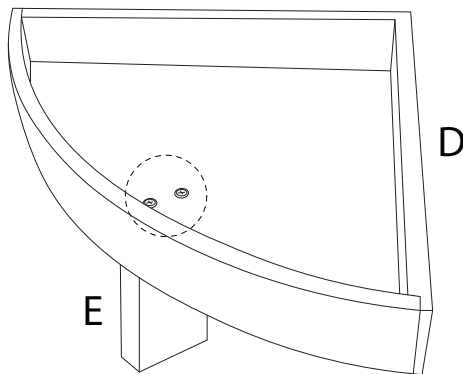


x 1


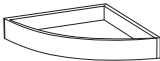
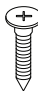
F



x 2



3

|   |   |   |
|---|---|---|
| <b>C</b><br><br><b>x 1</b> | <b>D</b><br><br><b>x 1</b> | <b>F</b><br><br><b>x 9</b> |
|---|---|---|

