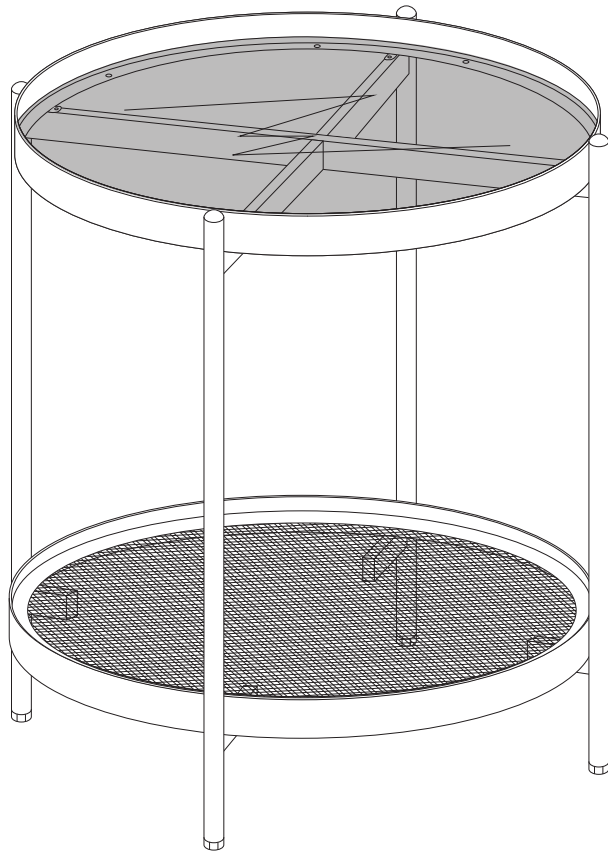
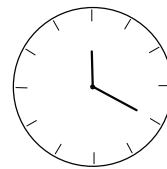
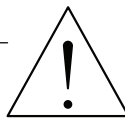
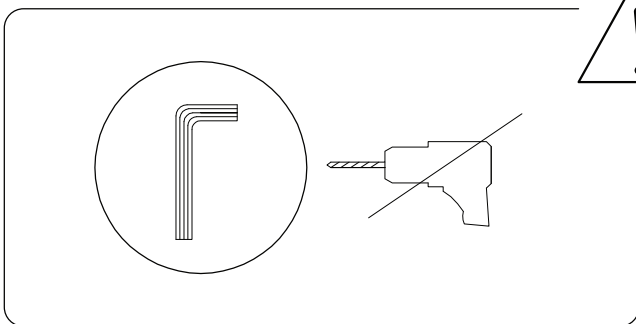
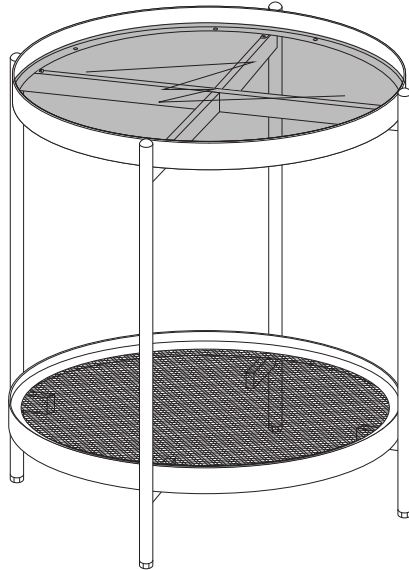
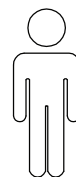
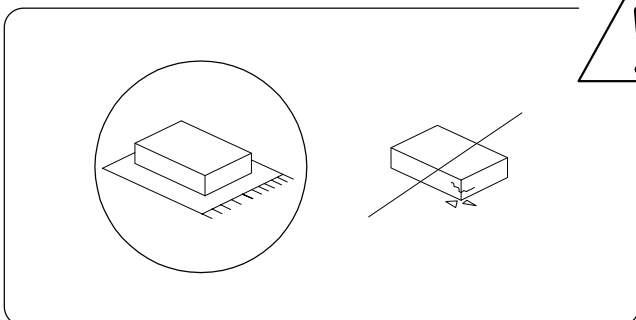


RENO



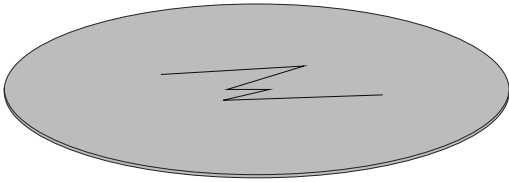


20'

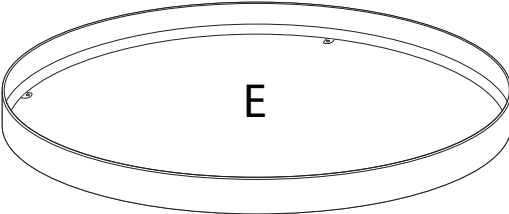


2

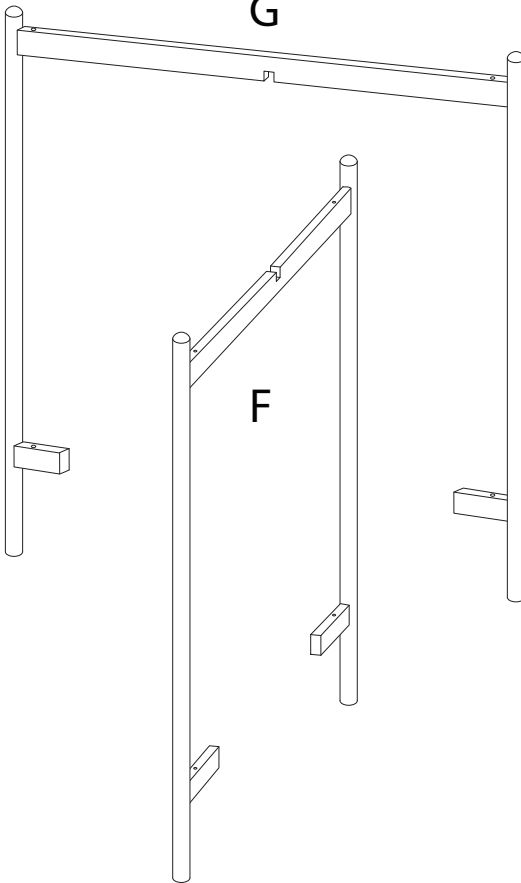
I



E

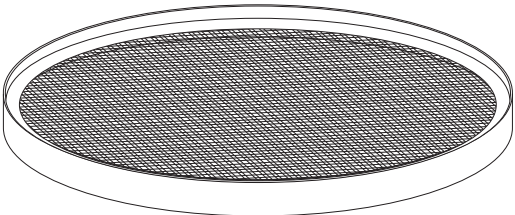


G

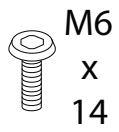


F

H

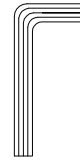


A



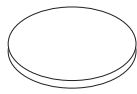
x 4

B



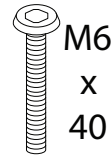
x 1

C



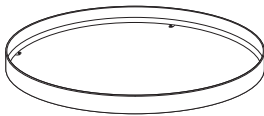
x 6

D



x 4

E



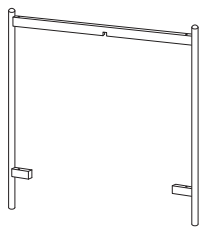
x 1

F



x 1

G



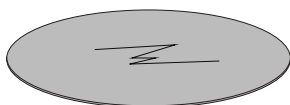
x 1

H



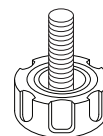
x 1

I



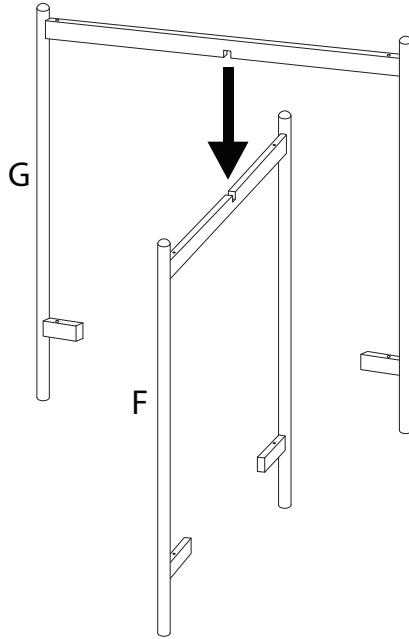
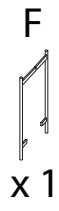
x 1

J

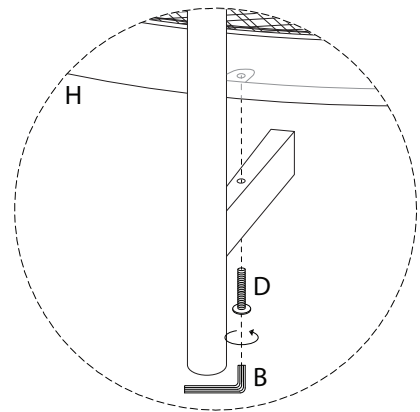
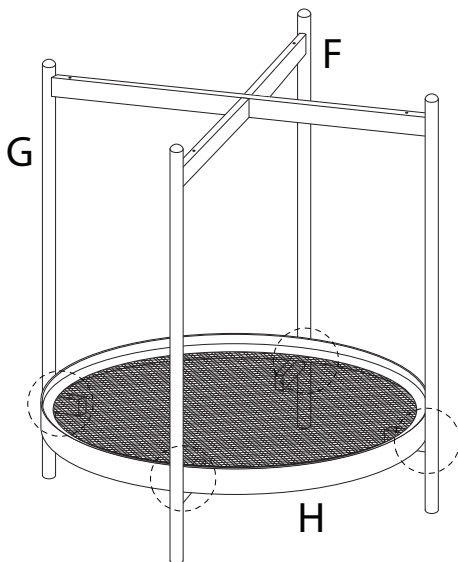
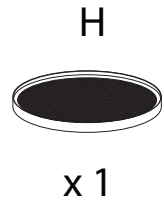
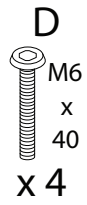
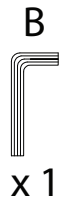


x 4

1



2

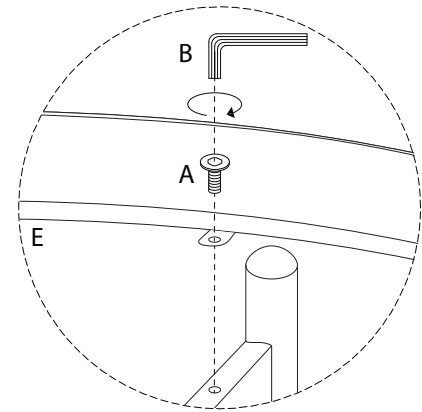
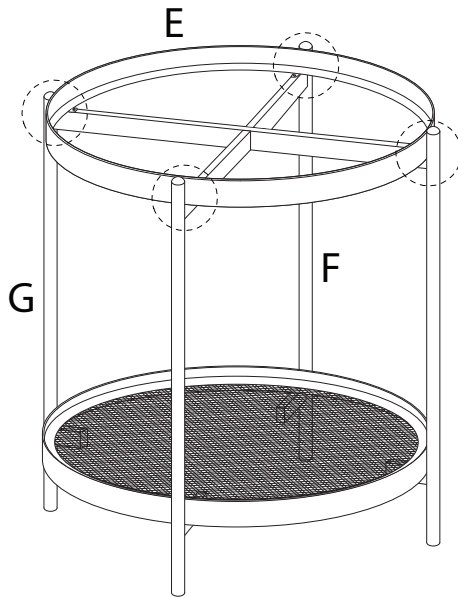


3

A
M6
x
14
x 4

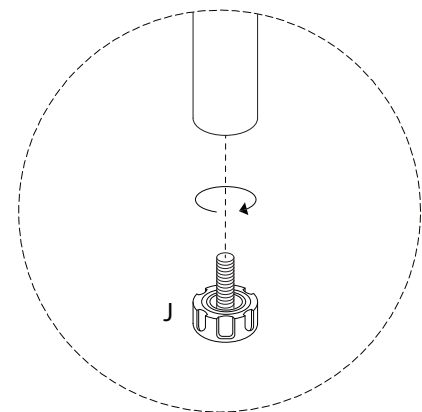
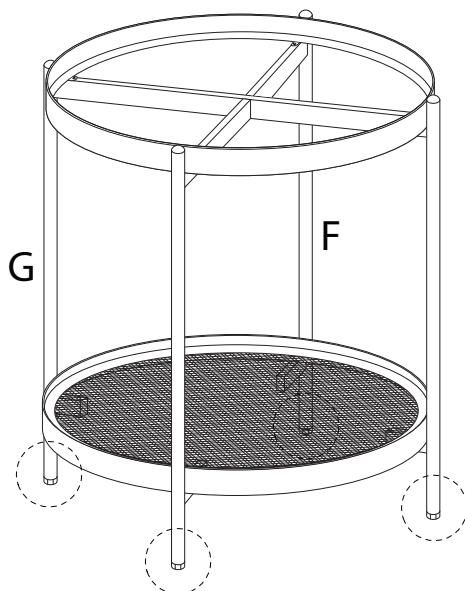
B
x 1

E
x 1



4

J
x 4

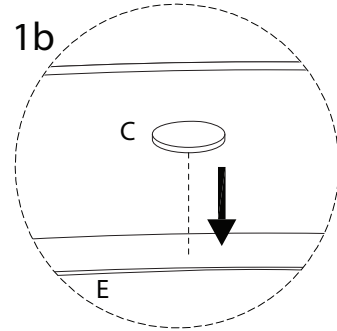
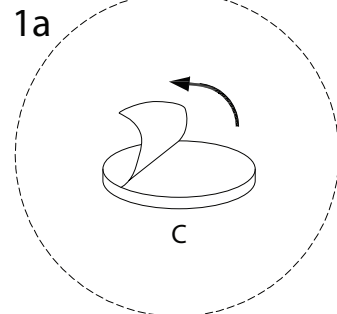
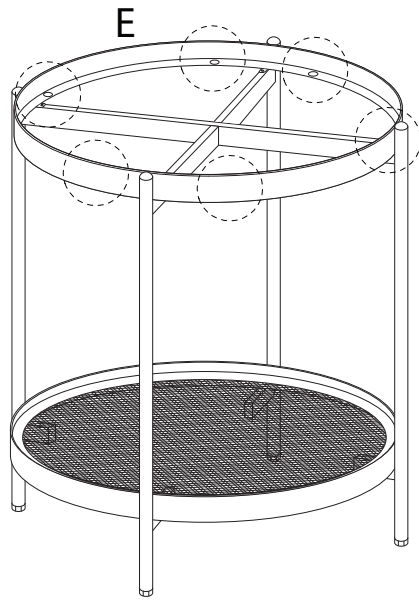


5

C



x6



6

I



x1

