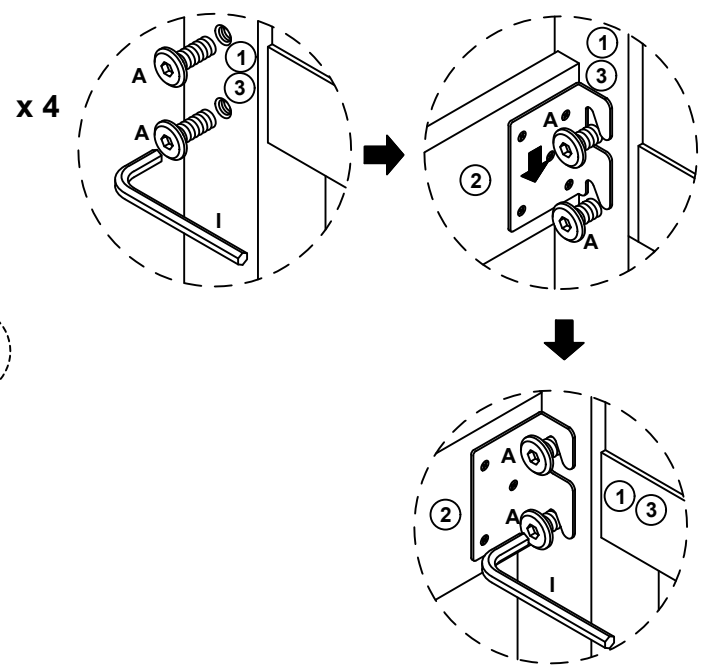
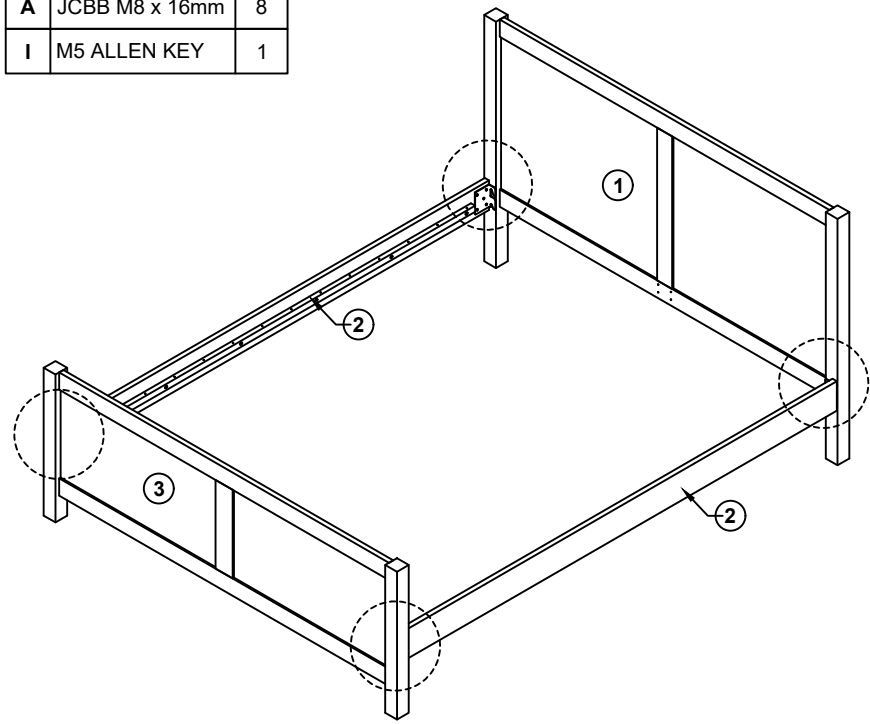


CHAMPAGNAT BED 8 ASSEMBLY INSTRUCTIONS

NO	HARDWARE	QTY
A	JCBB M8 x 16mm	8
B	JCBC M6 x 25mm	3
C	CSK SCREW M3.5 x 16mm	12
D	CSK SCREW M4 x 25mm	28
E	JCBB M8 x 50mm	3
F	ADJUSTER STOPPER M6 x 15mm	3
G	U BRACKET	2
H	M4 ALLEN KEY	1
I	M5 ALLEN KEY	1

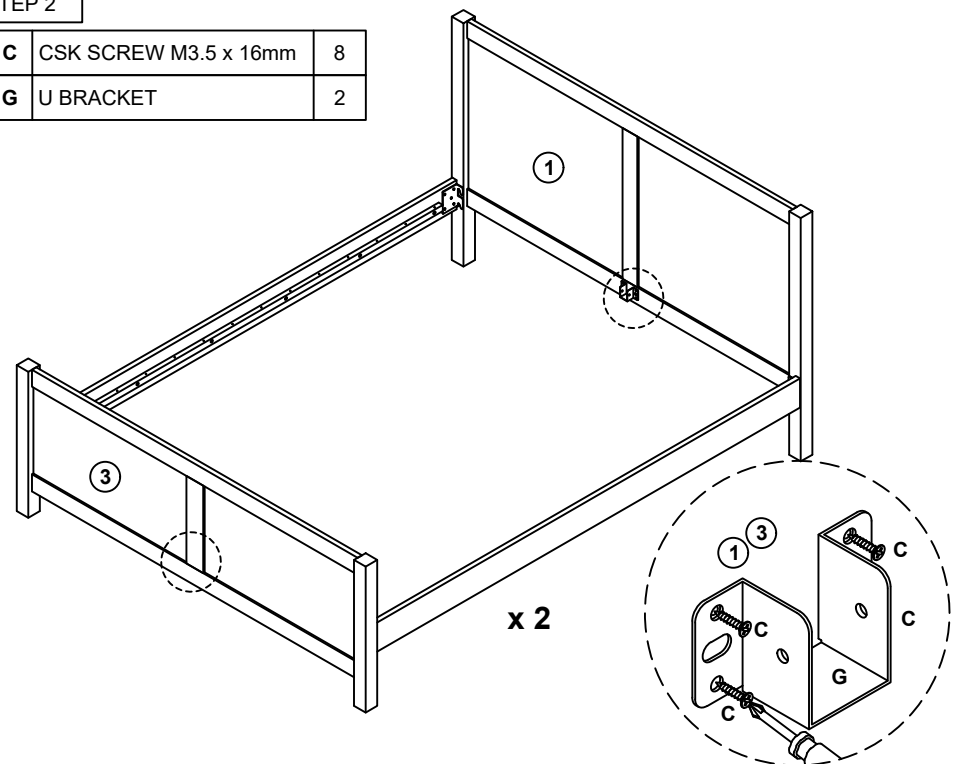
STEP 1

A	JCBB M8 x 16mm	8
I	M5 ALLEN KEY	1



STEP 2

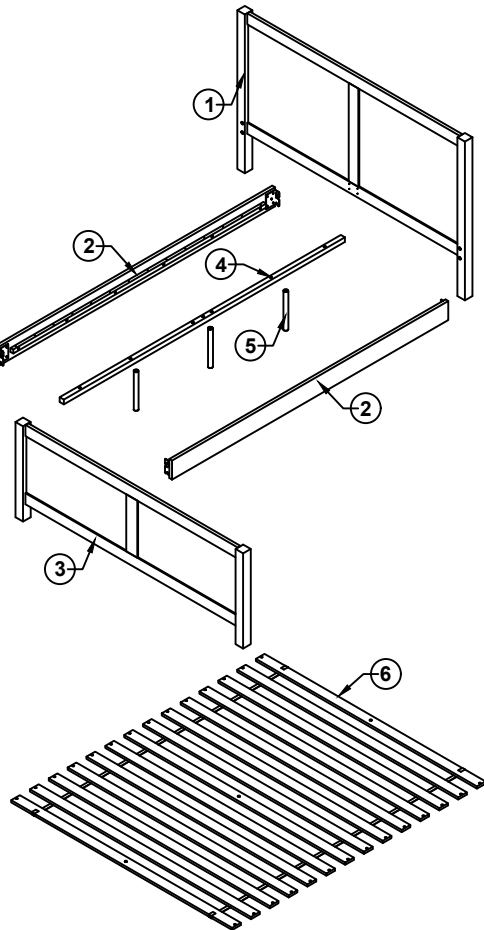
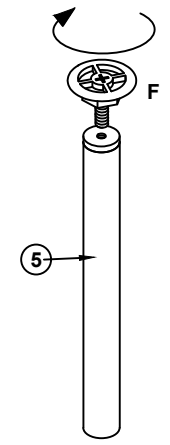
C	CSK SCREW M3.5 x 16mm	8
G	U BRACKET	2



STEP 3

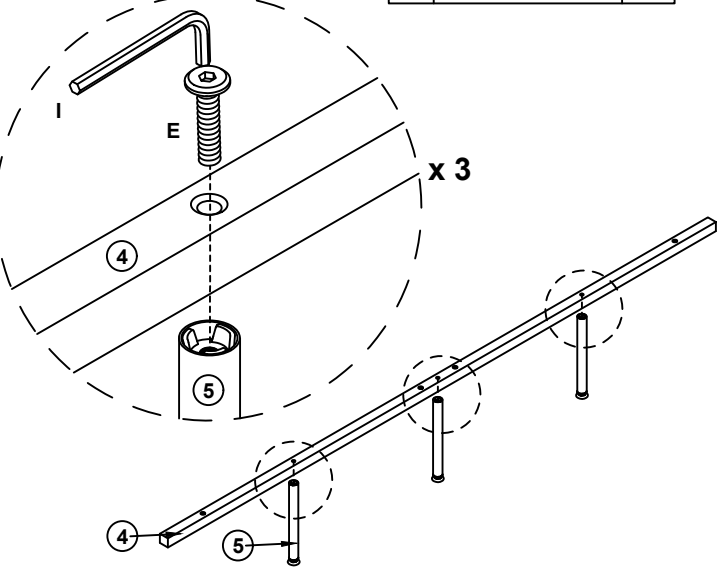
F	ADJUSTER STOPPER M6 x 15mm	3
---	----------------------------	---

REPEAT x 3



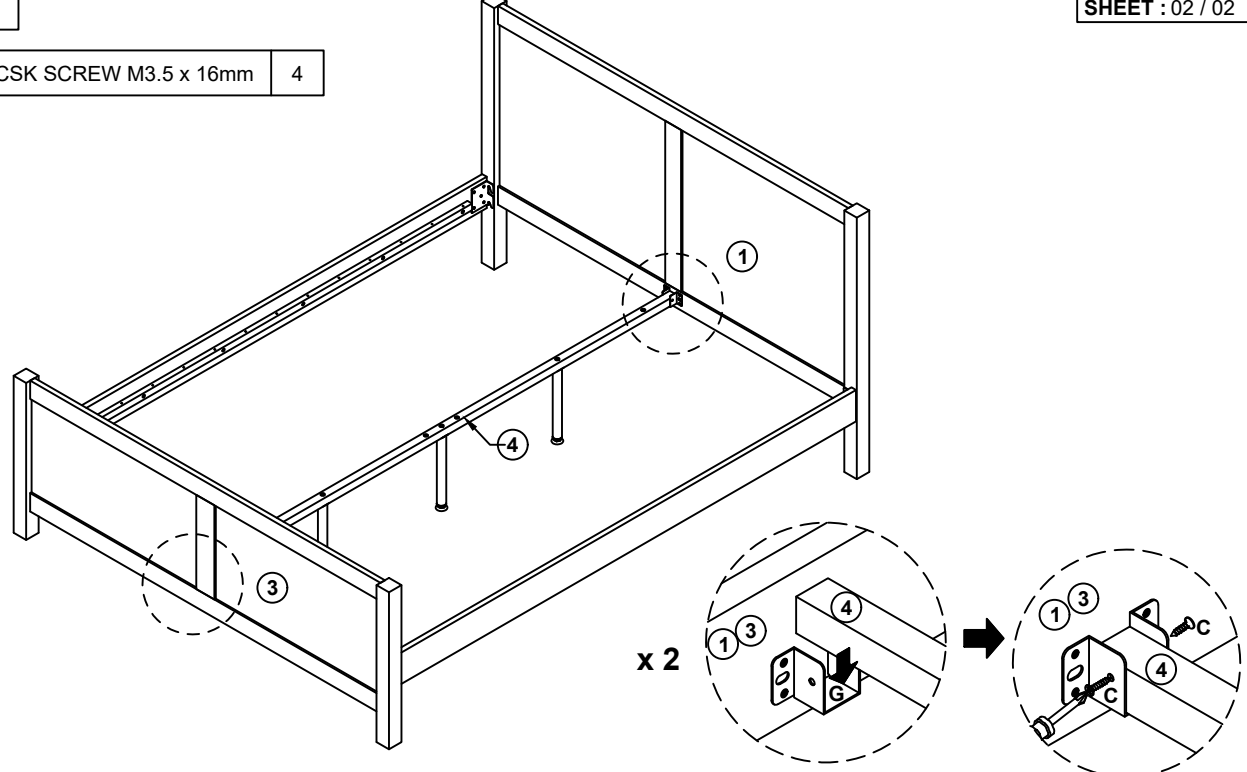
STEP 4

E	JCBB M8 x 50mm	3
I	M5 ALLEN KEY	1



STEP 5

C	CSK SCREW M3.5 x 16mm	4
----------	-----------------------	---



STEP 6

B	JCBC M6 x 25mm	3
D	CSK SCREW M4 x 25mm	28
H	M4 ALLEN KEY	1

