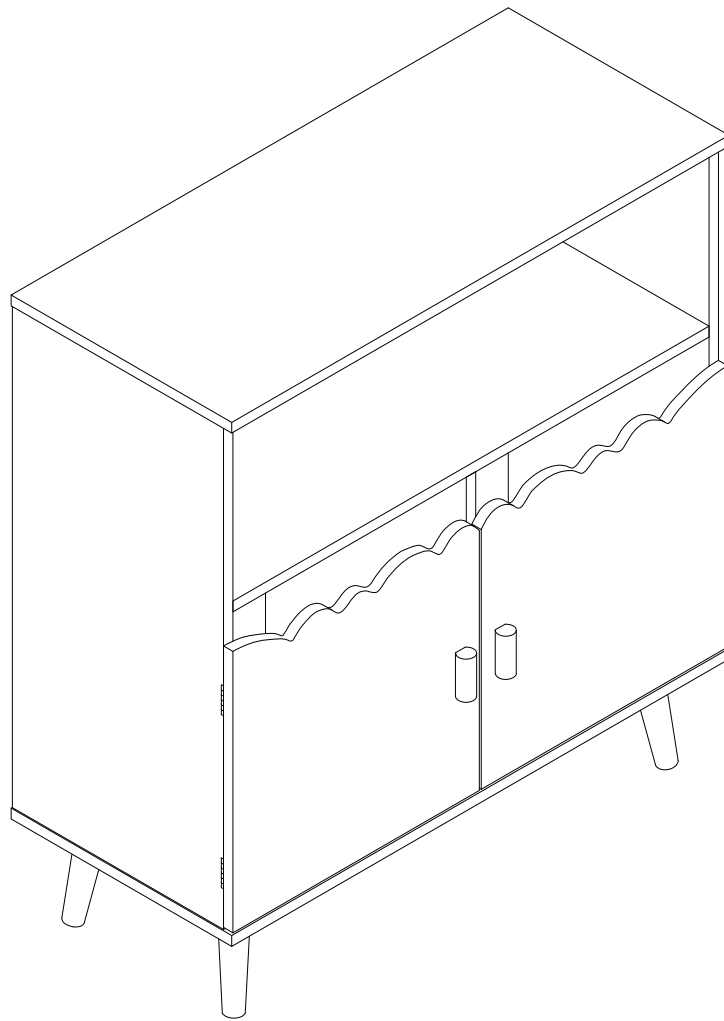
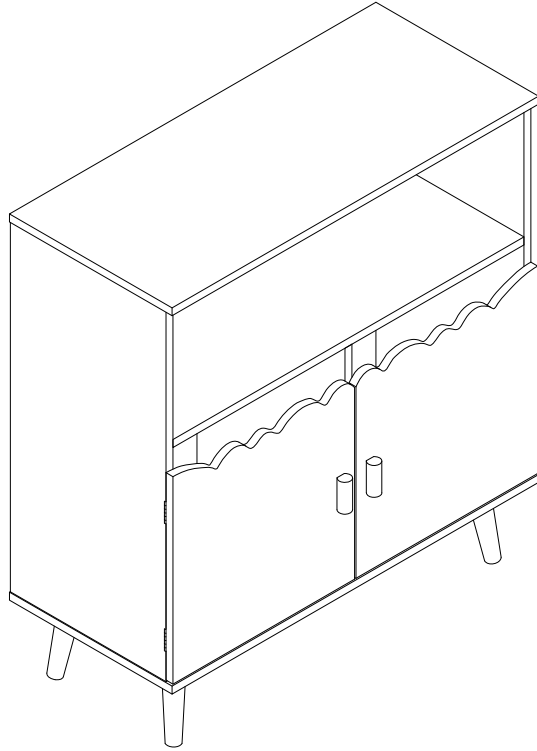


# LACKEY





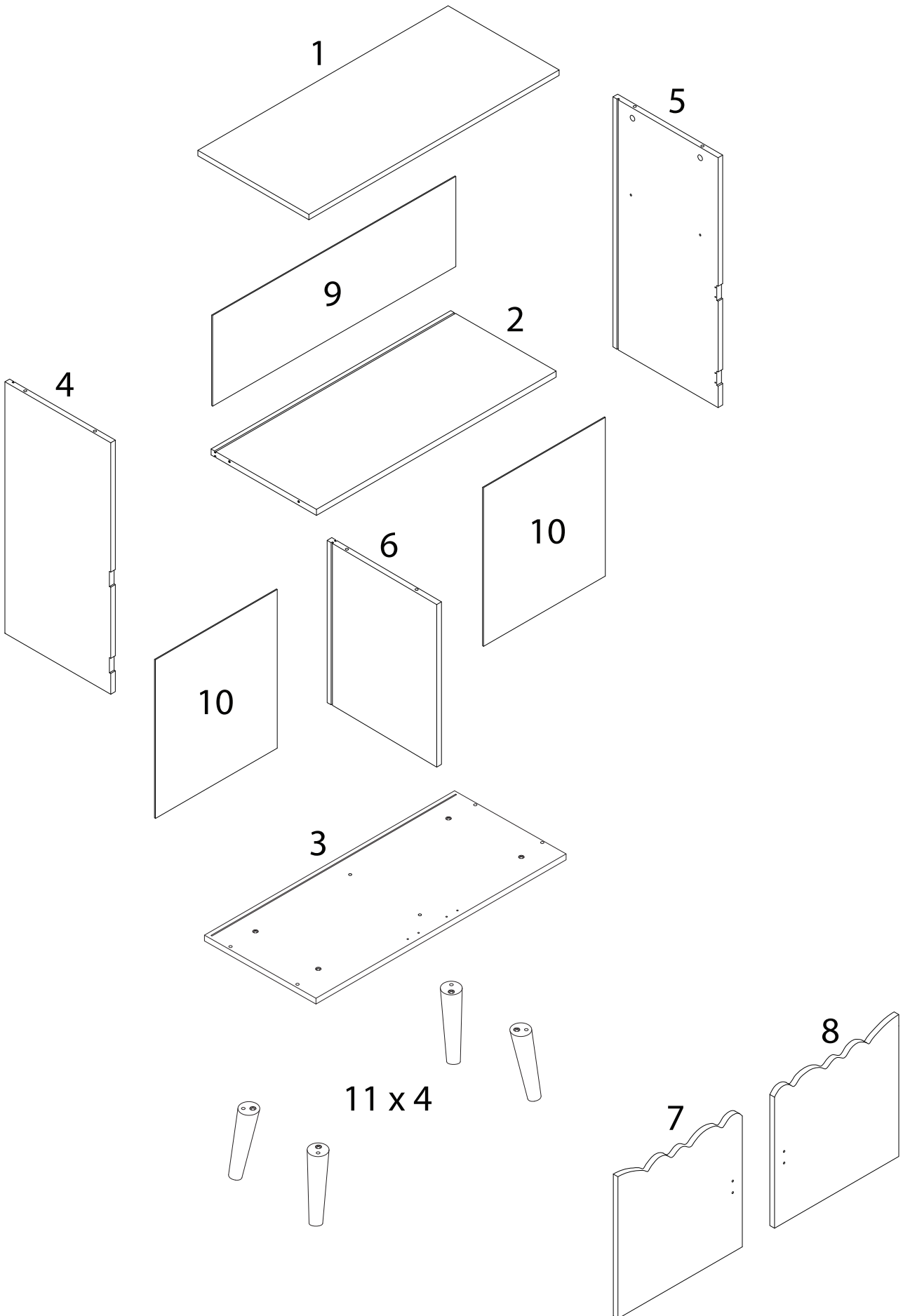
Assembly instructions for the cabinet, including tool requirements, time estimate, and personnel needed.

**Tools:** A circular icon contains a screwdriver and an Allen key. To the right is a power drill. A warning triangle with an exclamation mark is positioned above this section.

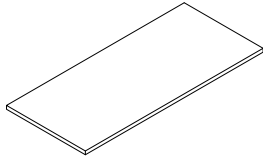
**Time:** A clock icon with a circular arrow indicates an estimated assembly time of **45'**.

**Personnel:** A person icon and the number **2** indicate that two people are required for assembly.

**Warning:** A second warning triangle with an exclamation mark is positioned above the bottom section, which shows a diagram of a cabinet panel being attached to a base.

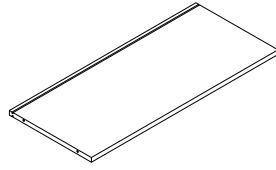


1



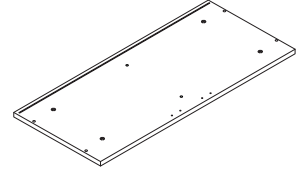
x 1

2



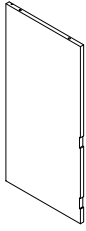
x 1

3



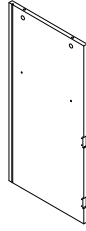
x 1

4



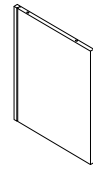
x 1

5



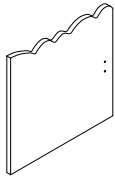
x 1

6



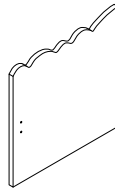
x 1

7



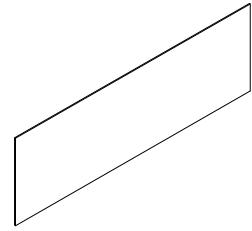
x 1

8



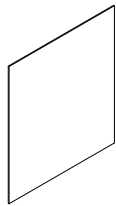
x 1

9



x 1

10



x 2

11



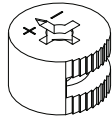
x 4

A



x 10

B



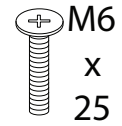
x 10

C



x 4

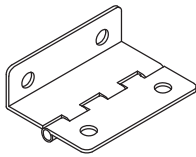
D



M6  
x  
25

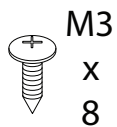
x 4

E



x 4

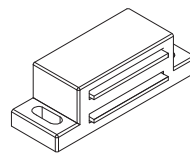
F



M3  
x  
8

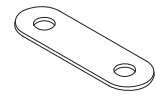
x 12

G



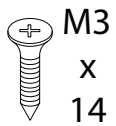
x 2

H



x 2

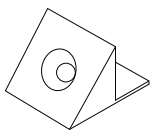
I



M3  
x  
14

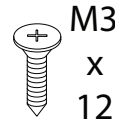
x 4

J



x 12

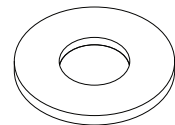
K



M3  
x  
12

x 21

L



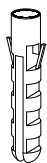
x 2

M



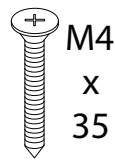
x 1

N



x 1

O



M4  
x  
35

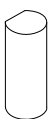
x 1

P



x 1

Q



x 2

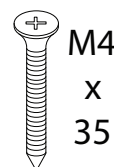
R



M4  
x  
25

x 4

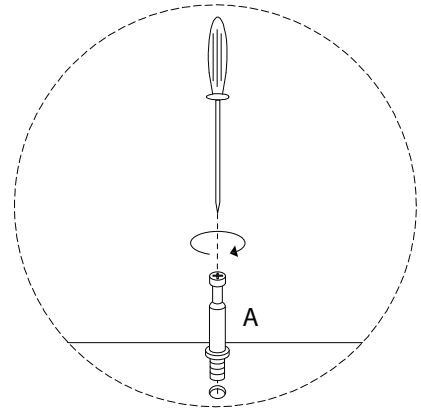
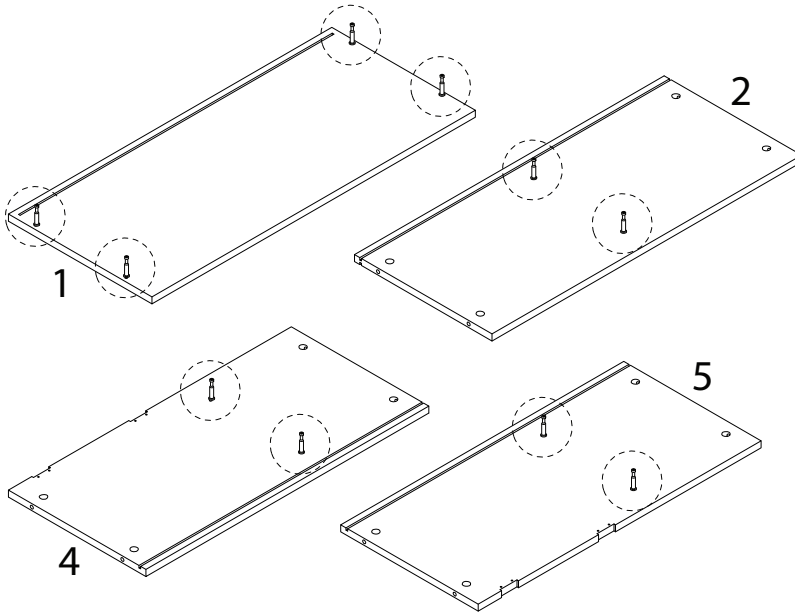
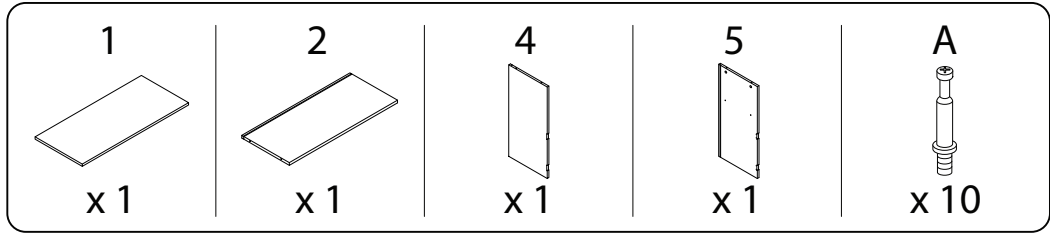
S



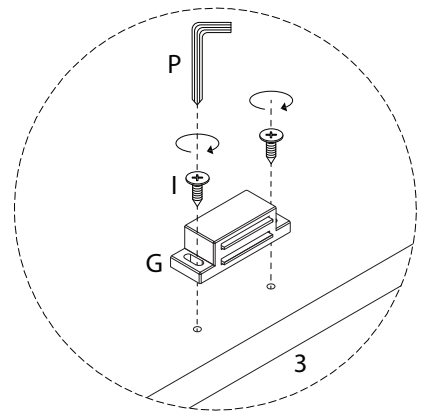
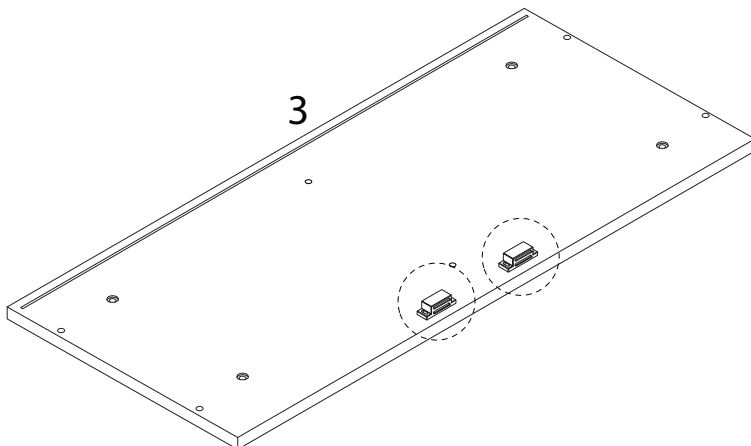
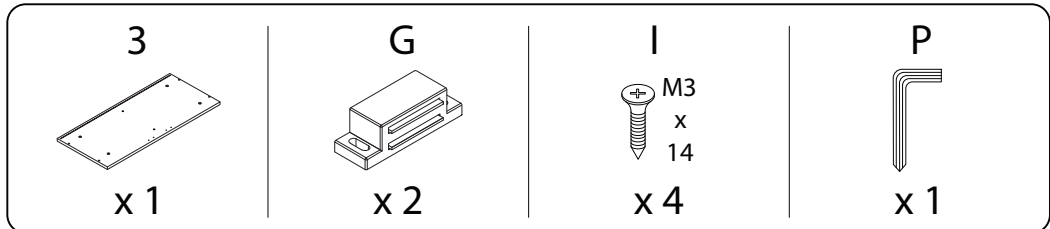
M4  
x  
35

x 6

1

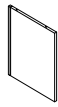


2



3

6

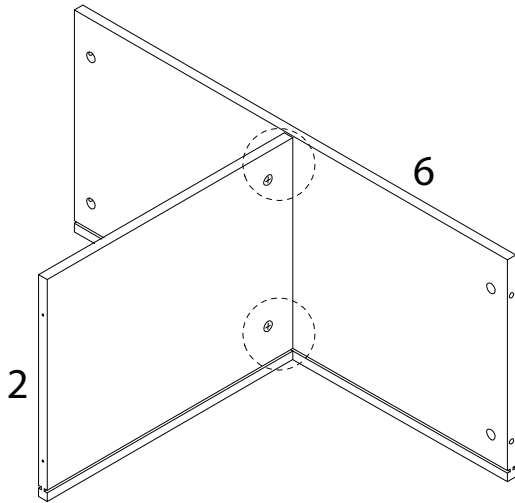


x 1

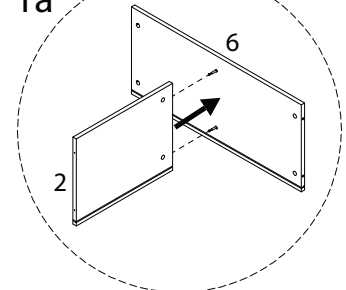
B



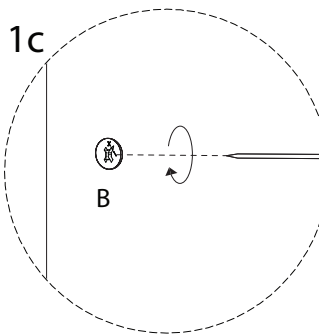
x 2



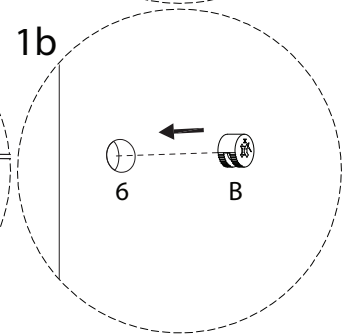
1a



1c



1b

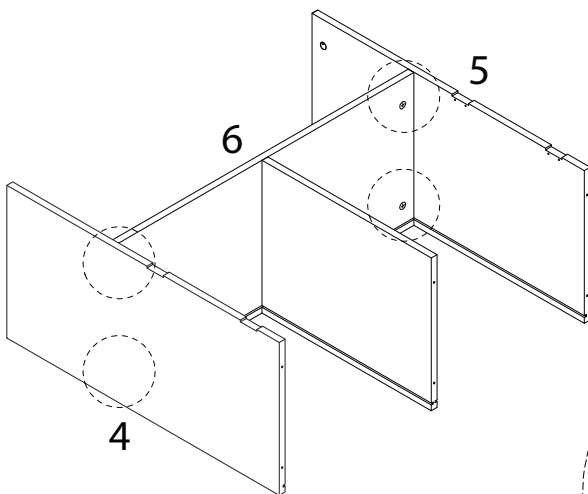


4

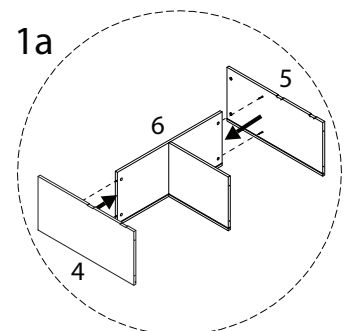
B



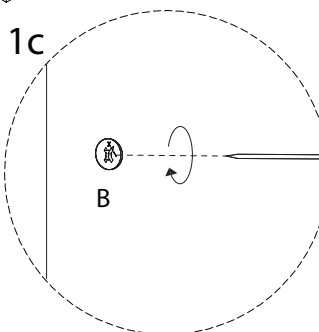
x 4



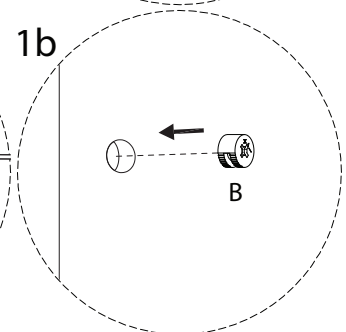
1a



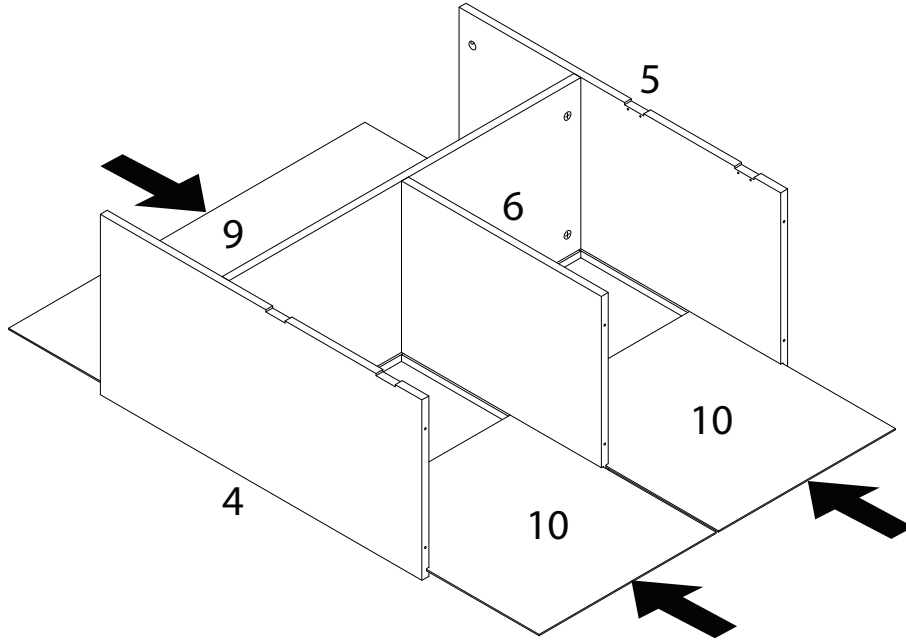
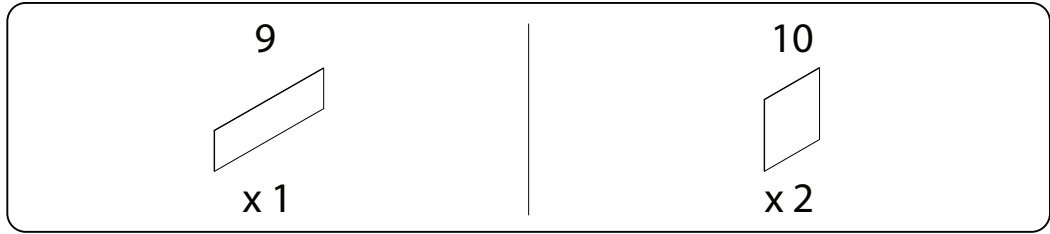
1c



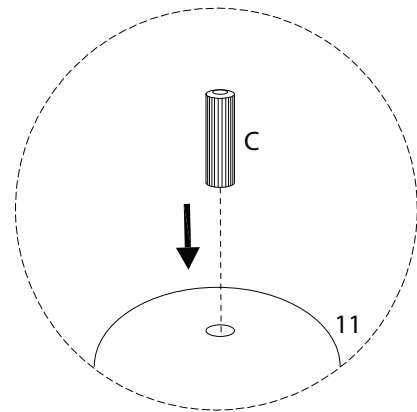
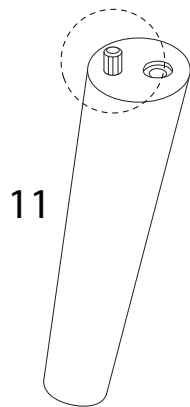
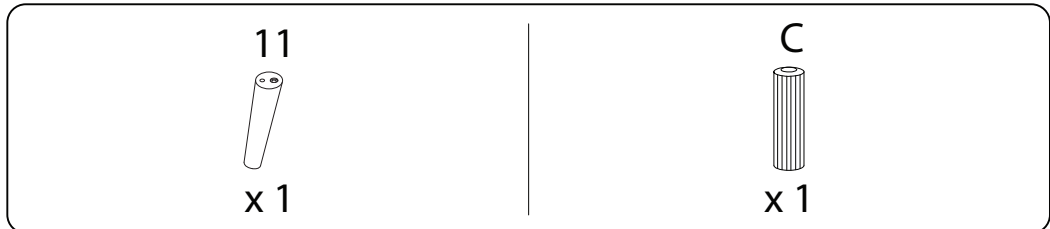
1b



5



6 x 4





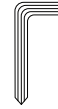
7

D

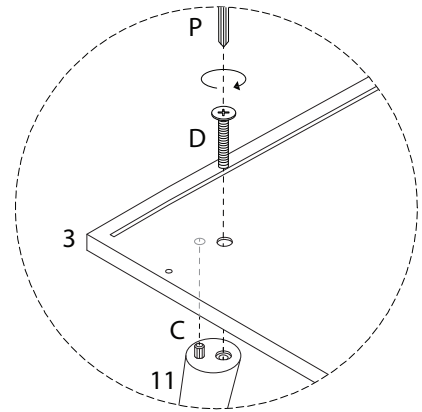
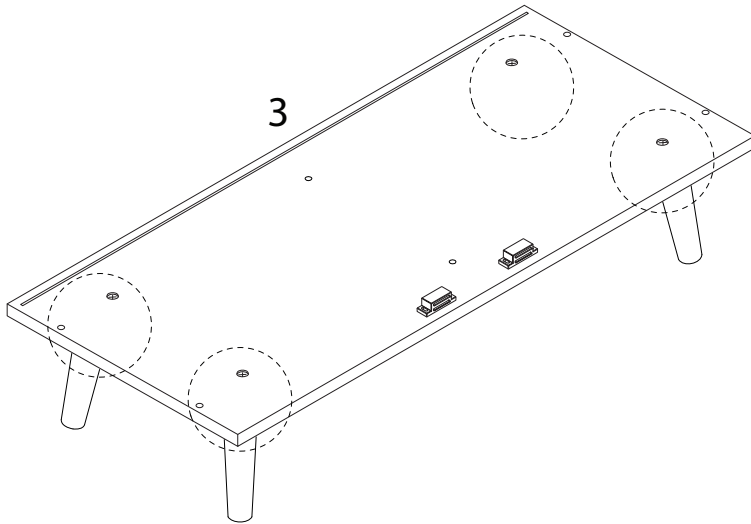


x 4

P



x 1

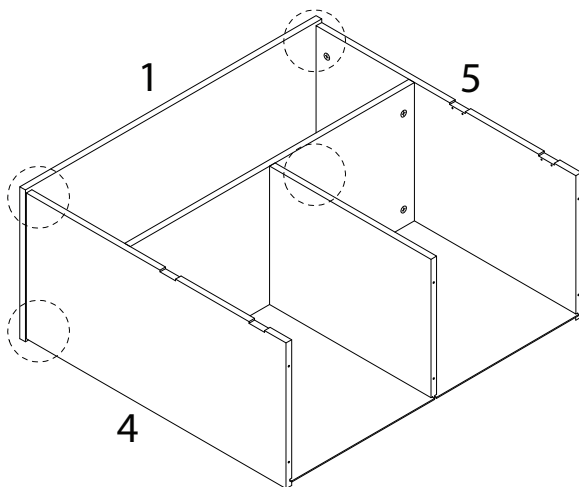


8

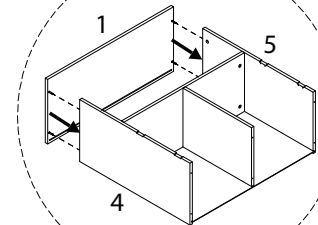
B



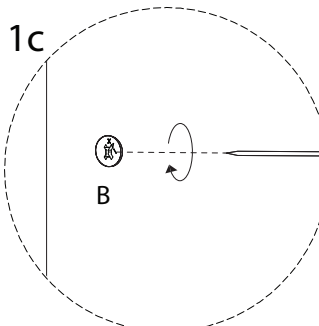
x 4



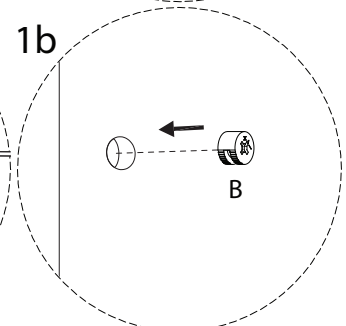
1a



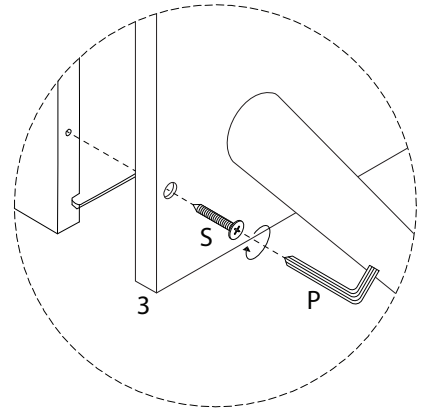
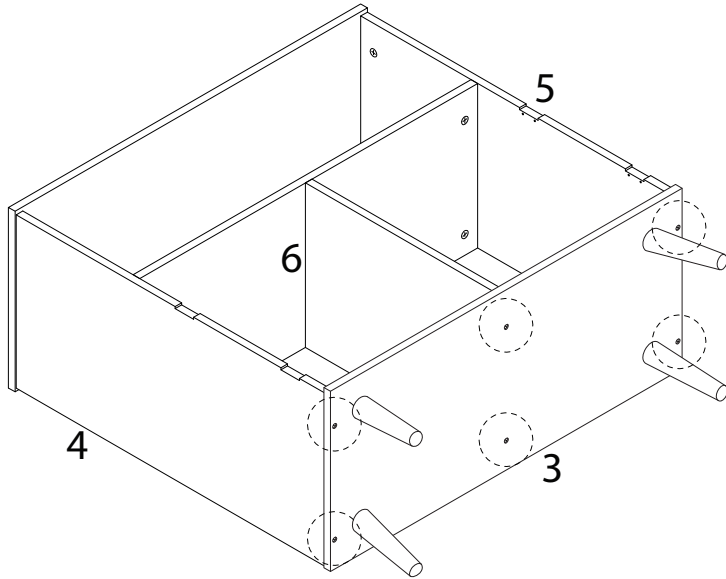
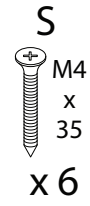
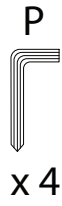
1c



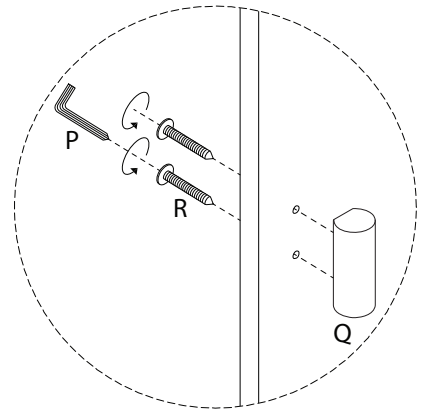
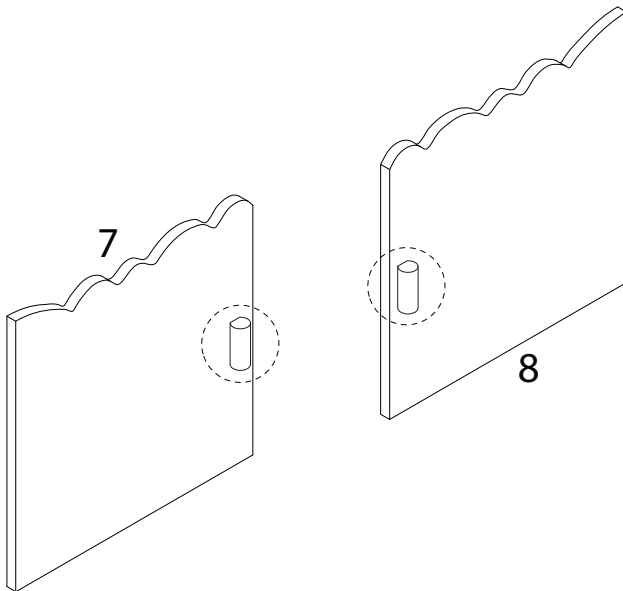
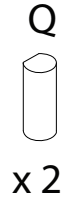
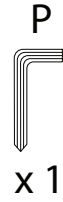
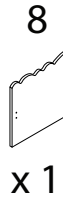
1b



9



10

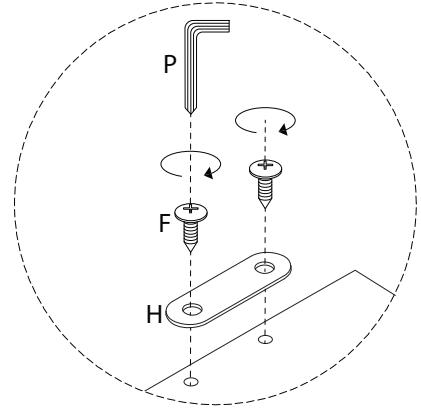
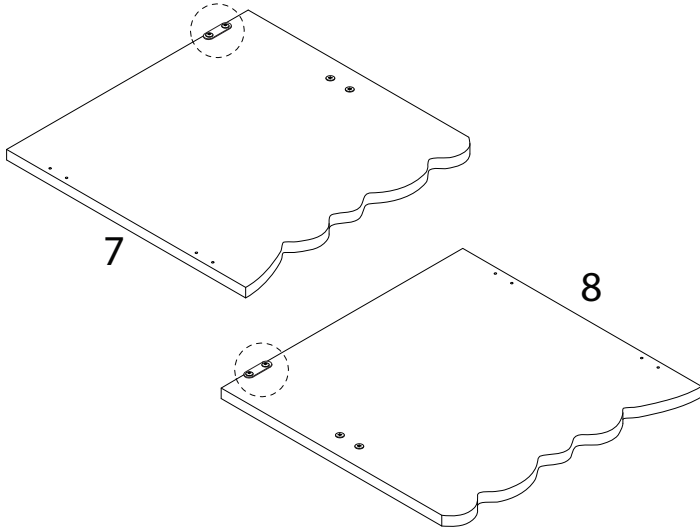


11

F  
M3  
x 8  
x 4

H  
x 2

P  
x 1

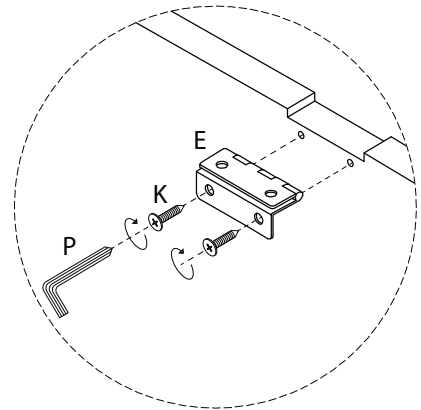
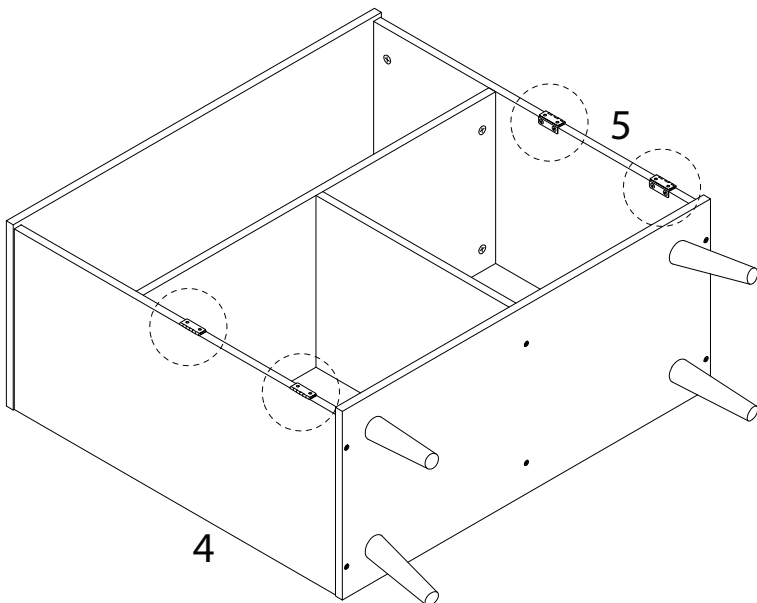


12

E  
x 4

K  
M3  
x 12  
x 8

P  
x 1



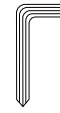
13

F

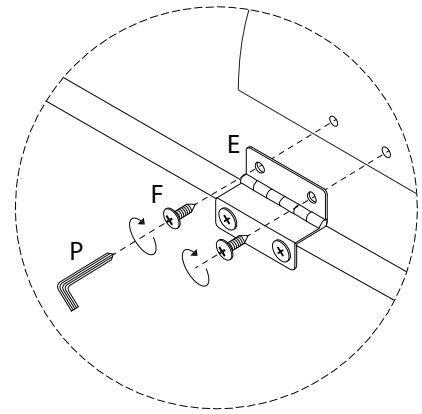
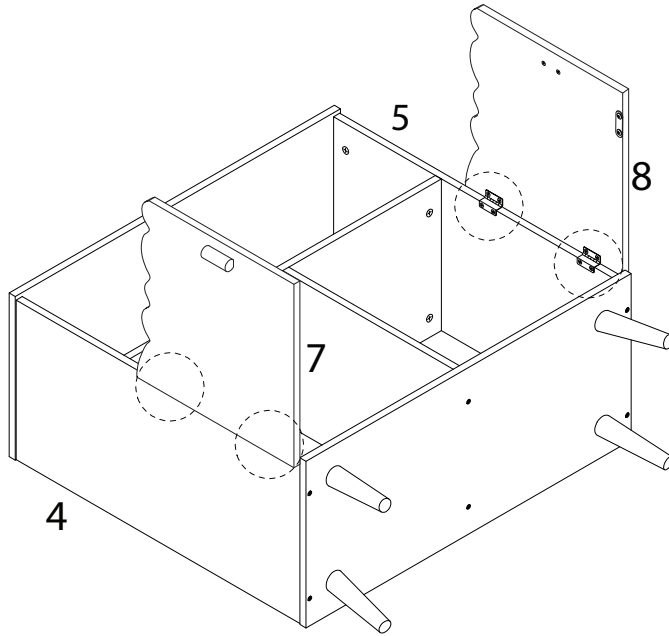


x 8

P

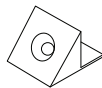


x 1



14

J

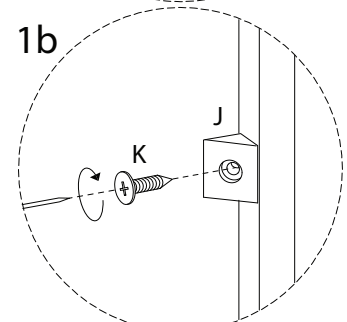
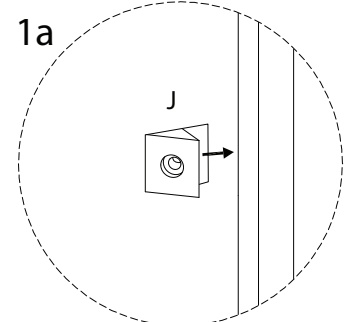
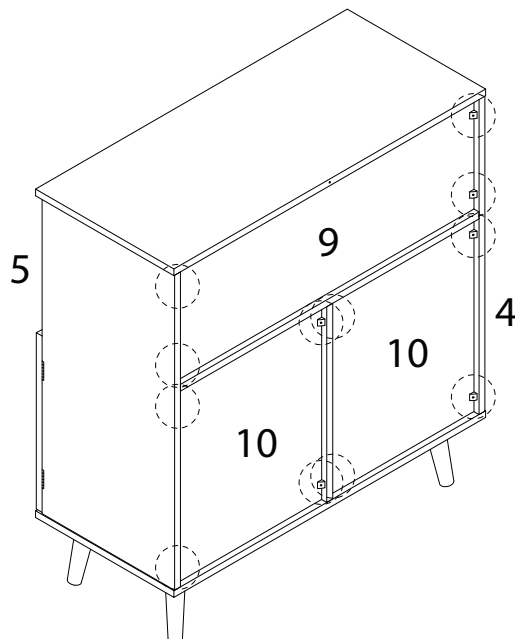


x 12

K



x 12



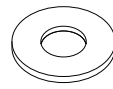
15

K



x 1

L

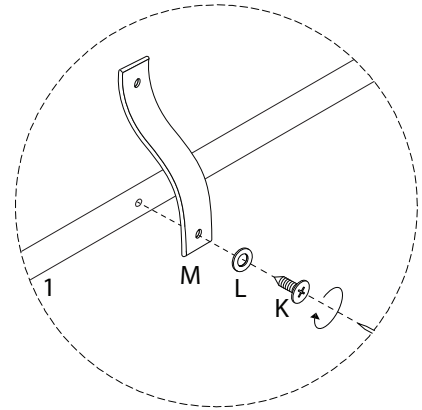
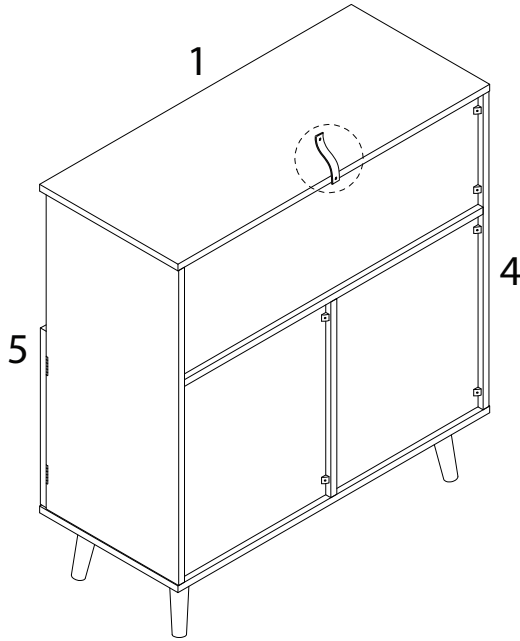


x 1

M

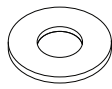


x 1



16

L



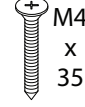
x 1

N



x 1

O



x 1

