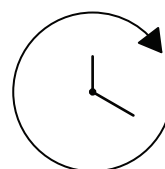
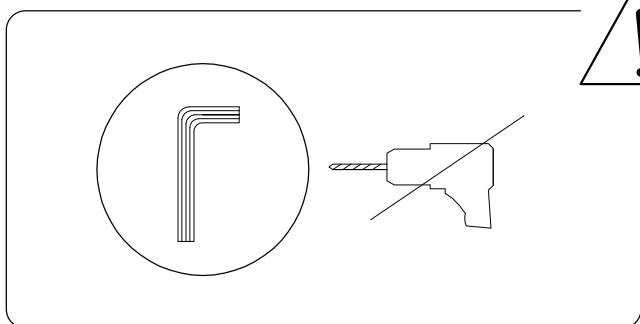
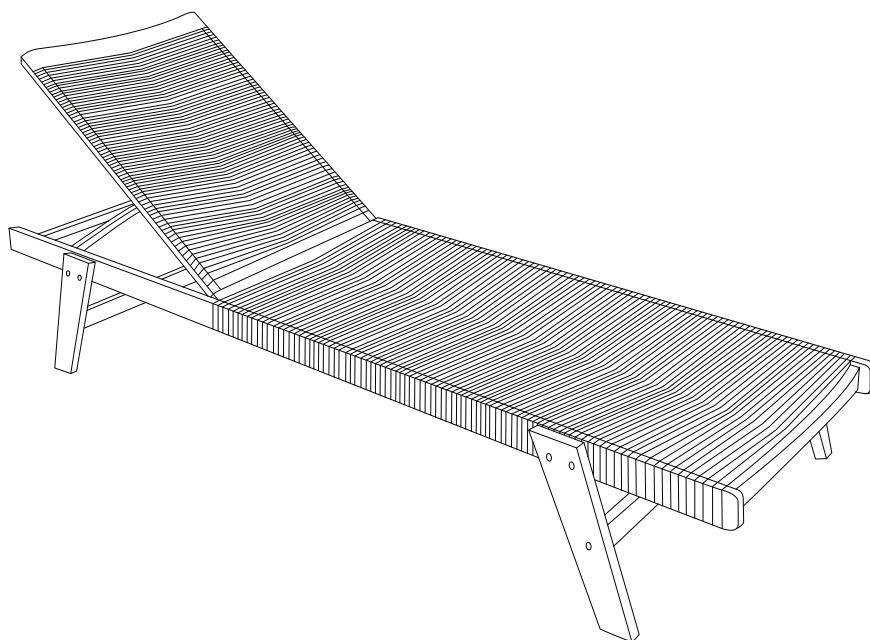
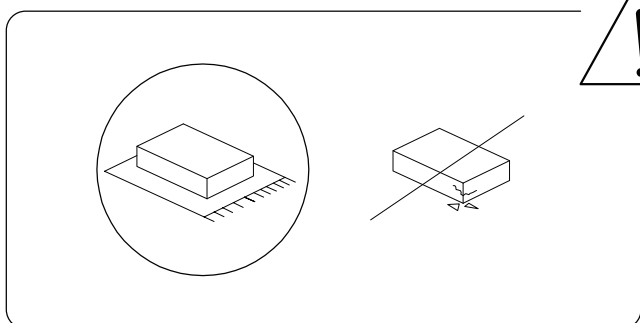


# PROSSEDI

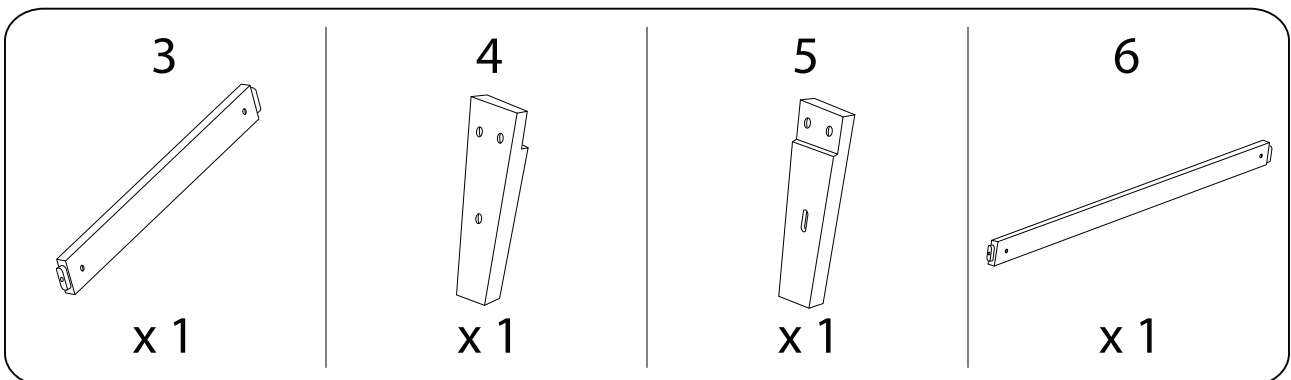
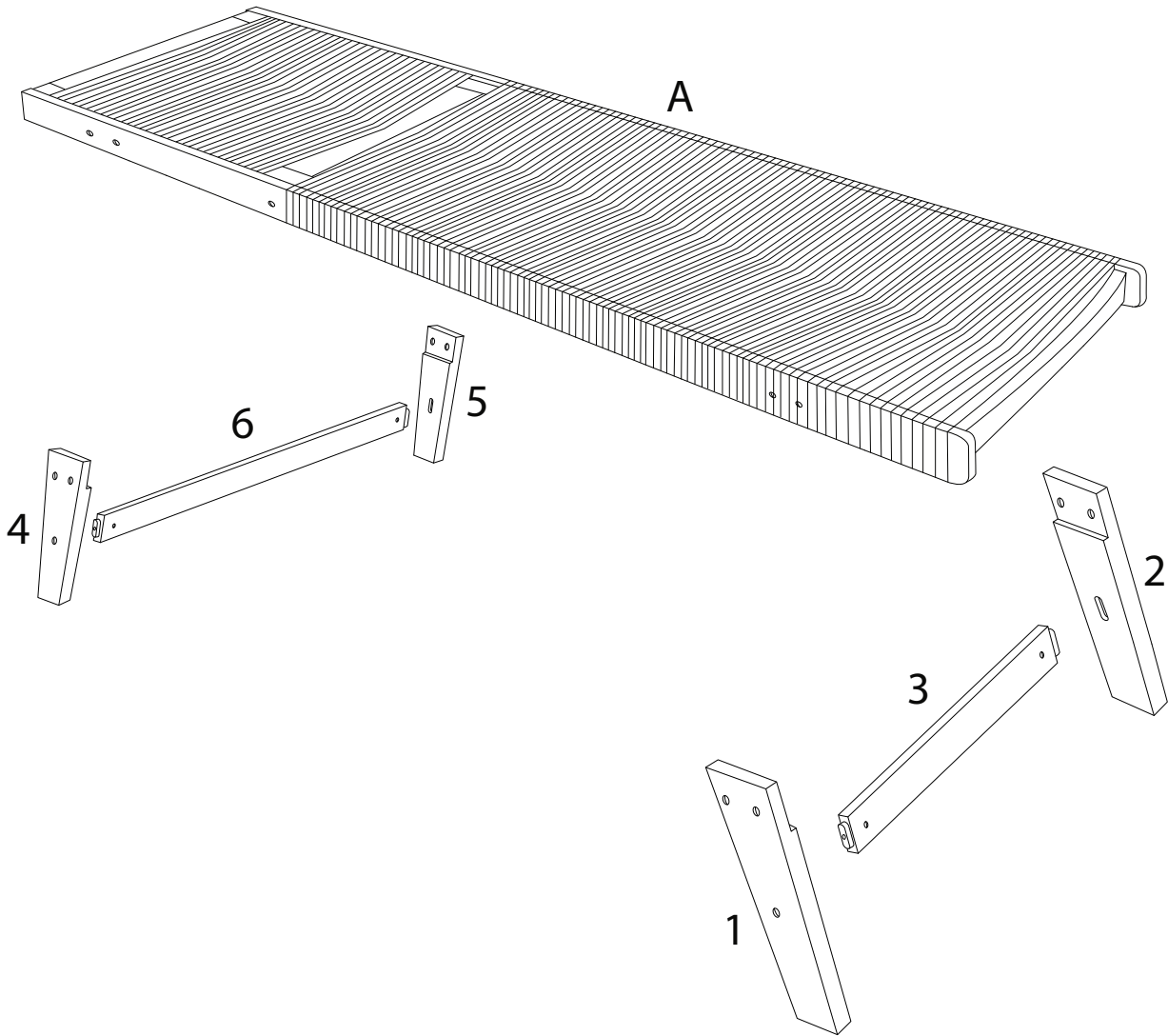
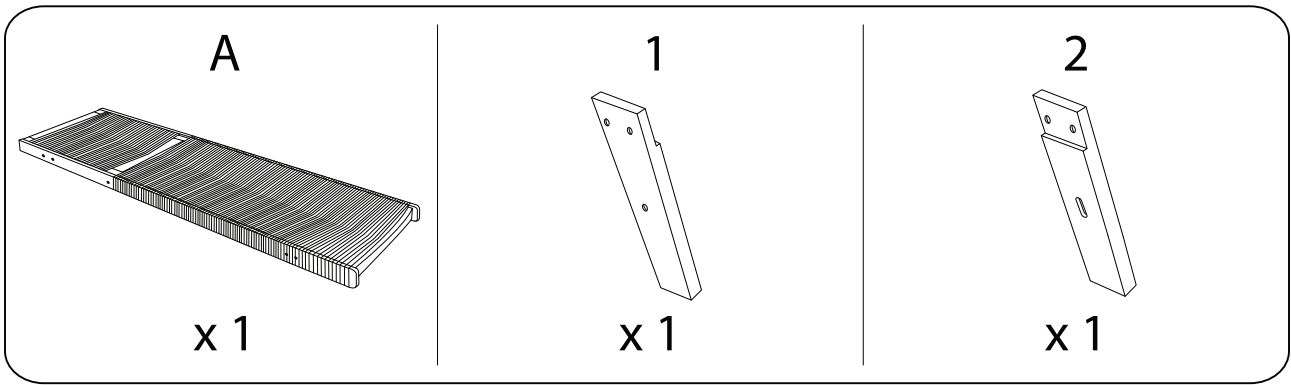




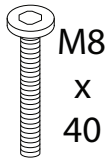
20'



1

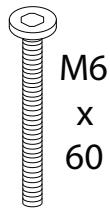


E



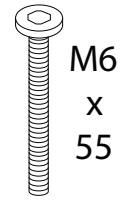
x 4

F



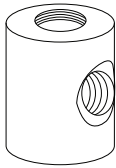
x 4

G



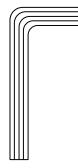
x 1

H



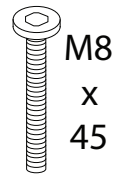
x 4

I



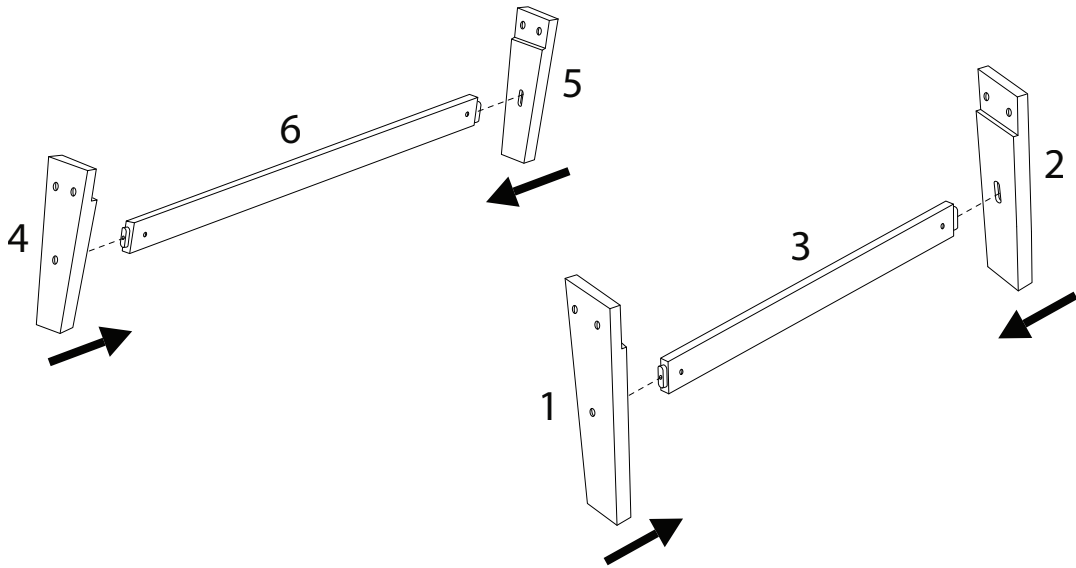
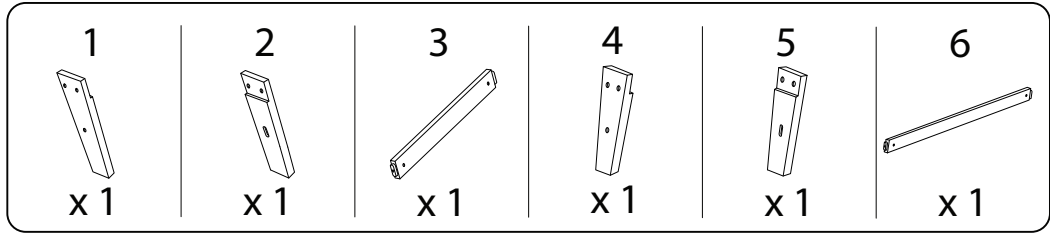
x 1

K

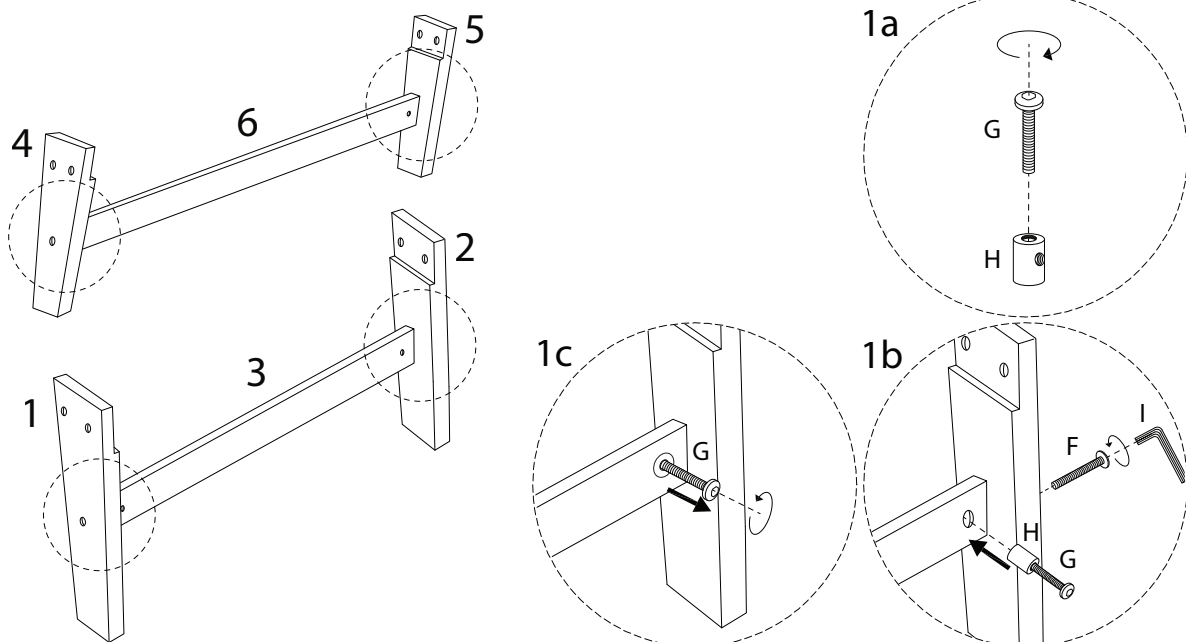
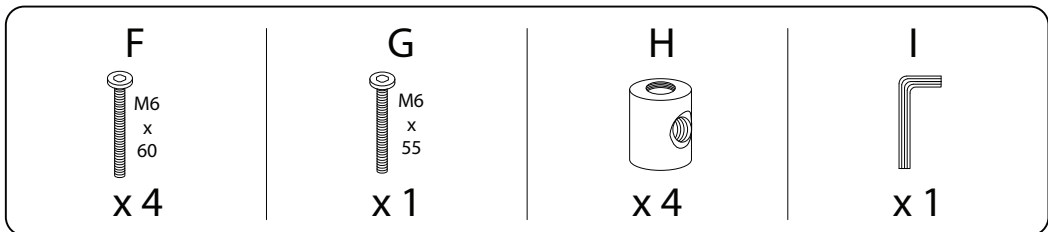


x 4

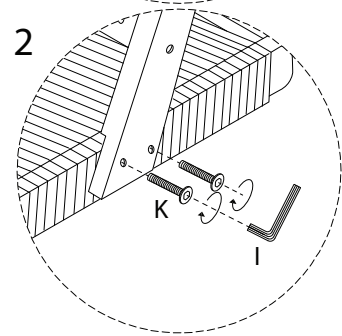
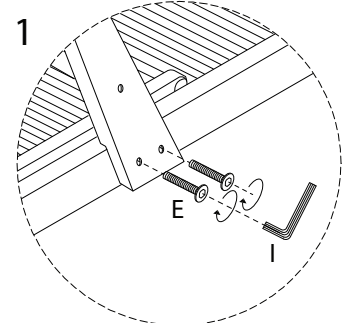
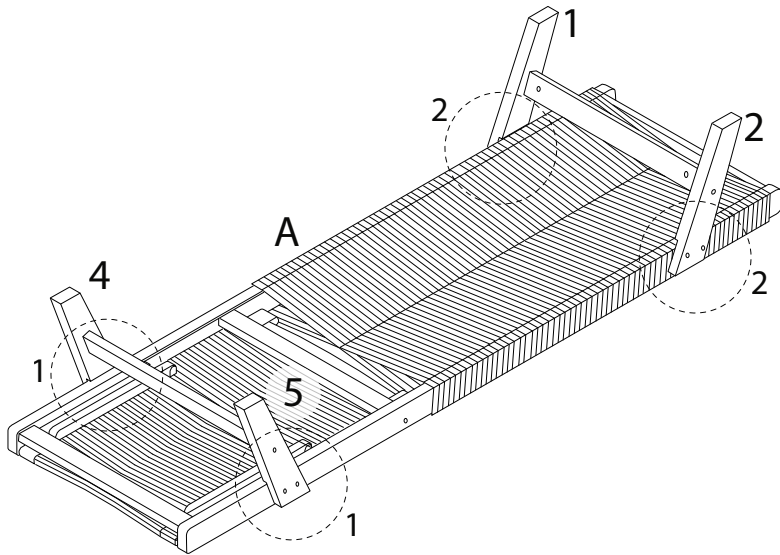
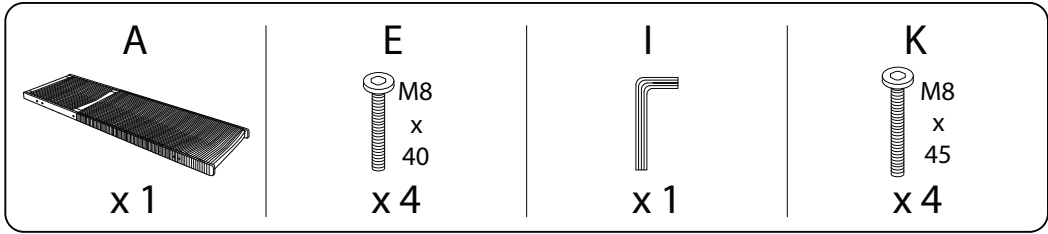
1



2



3



!

