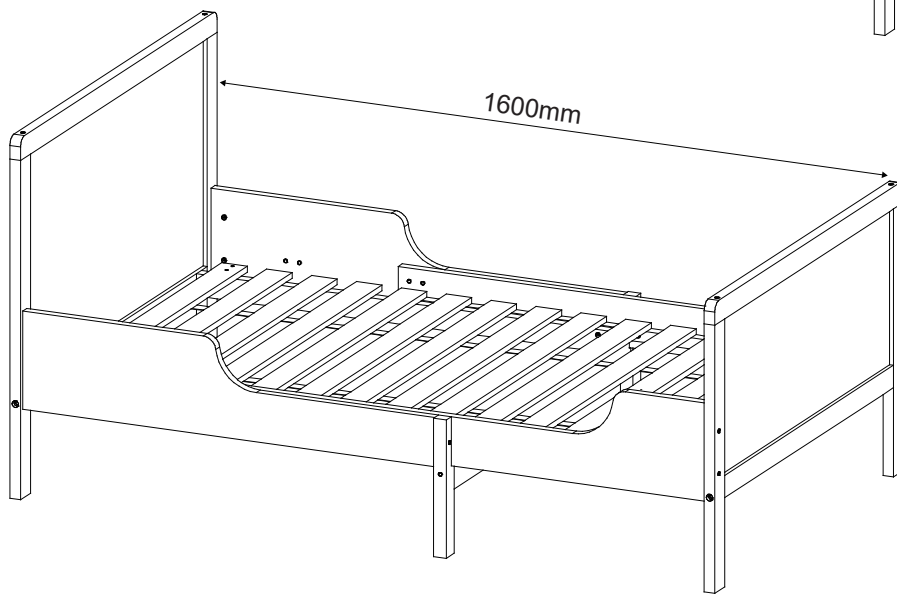
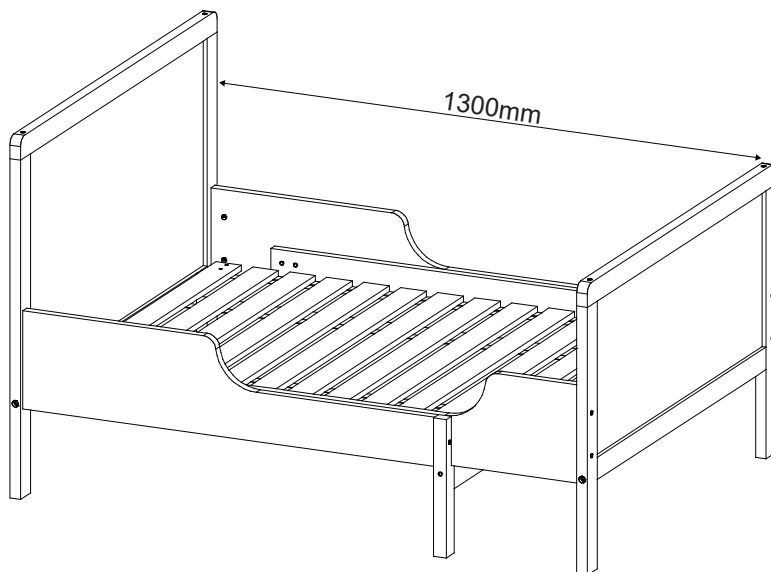


Version 1





















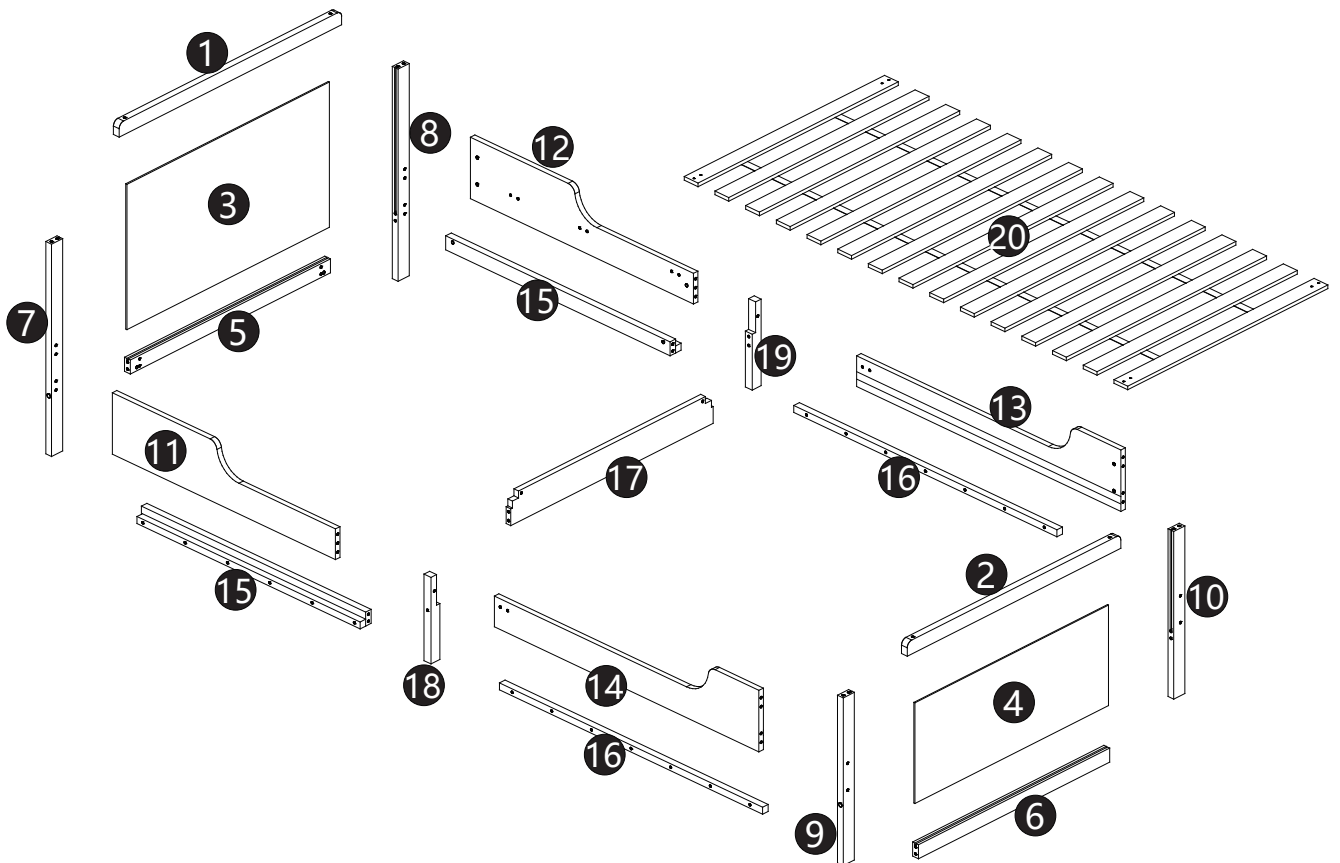
Version 2



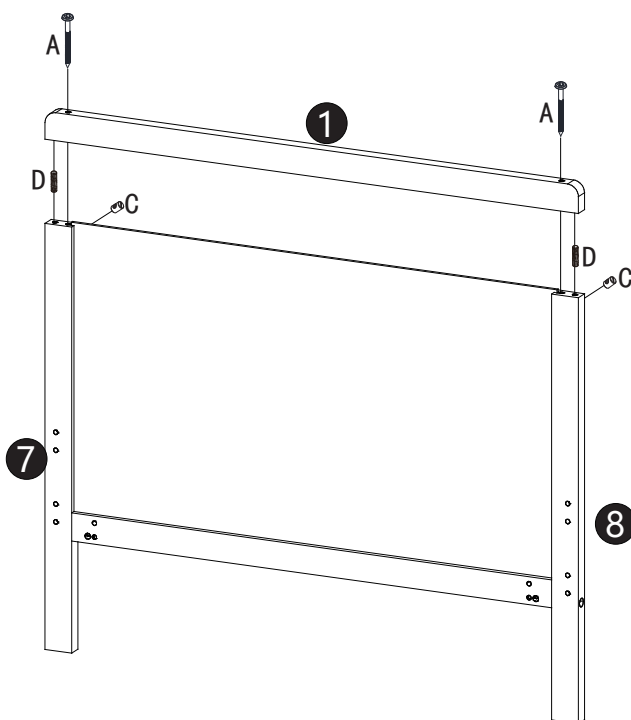
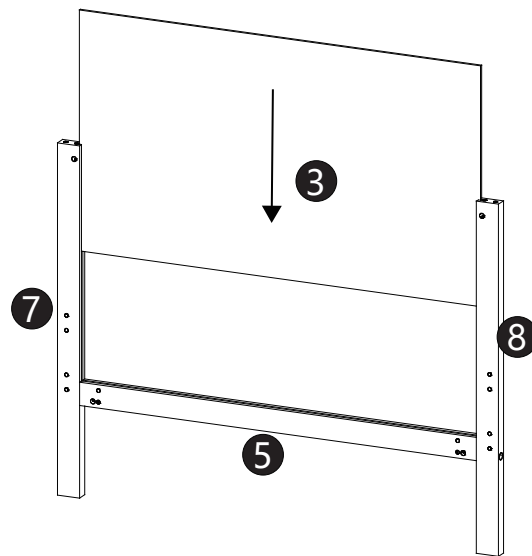
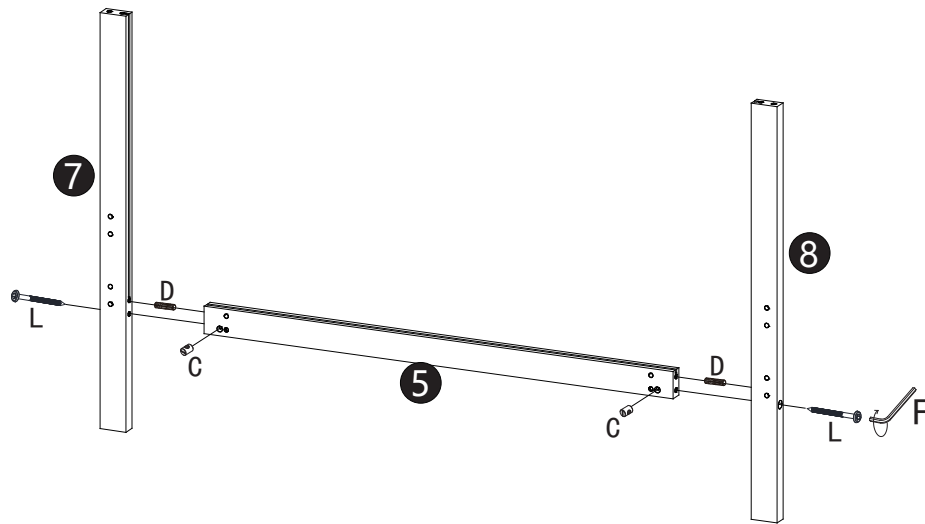
Version 3


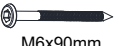




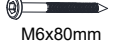
HARDWARE

A	 15mm	 M6x90mm	4	G		1	
B	 15mm	 M6x70mm	12	H	 15mm	 M6x30mm	4
C		Ø10x13mm	24	J		24	
D		Ø8x30mm	26	K		4	
E	 8mm	 Ø4x30mm	18	L	 15mm	 M6x80mm	6
F		M4	1	M	 15mm	 M6x60mm	2

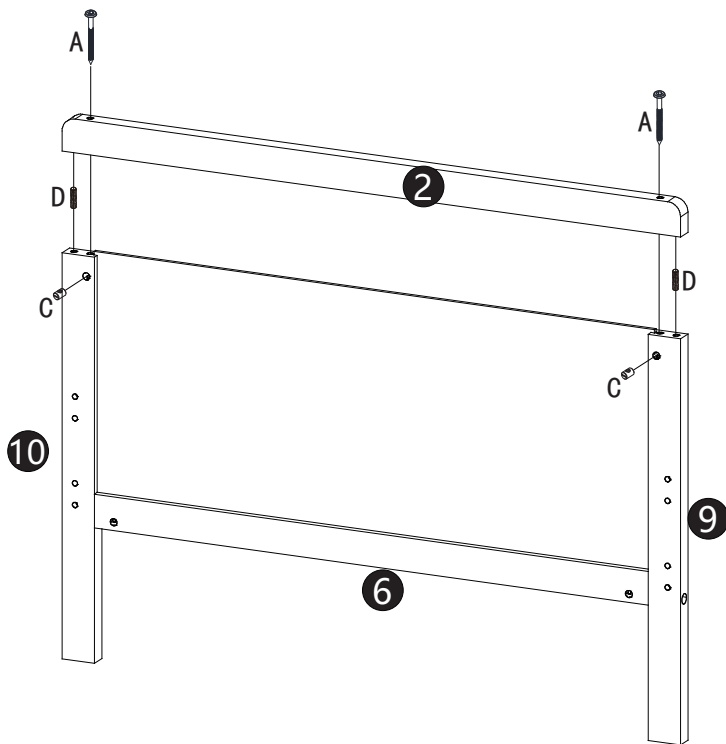
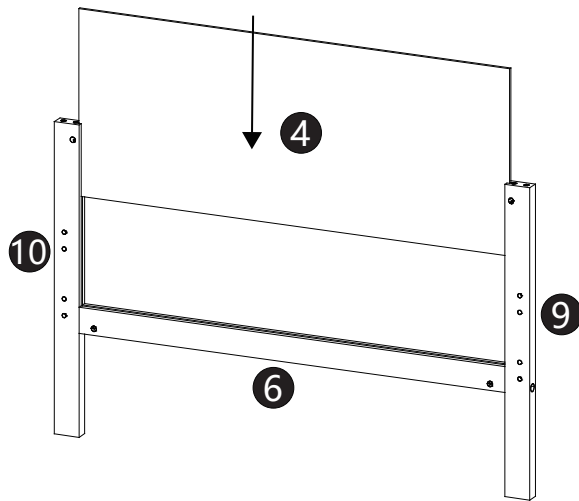
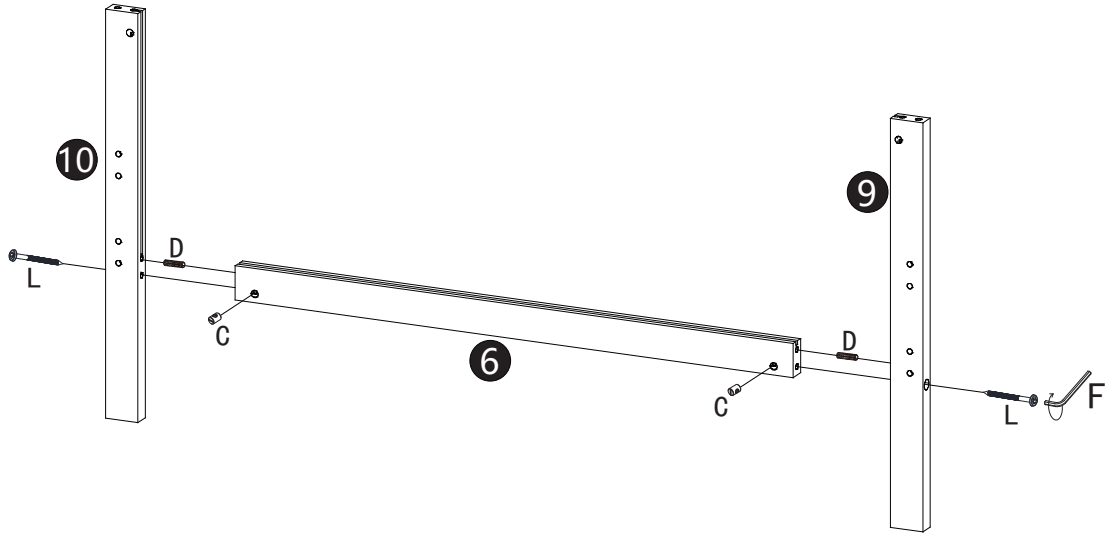









01



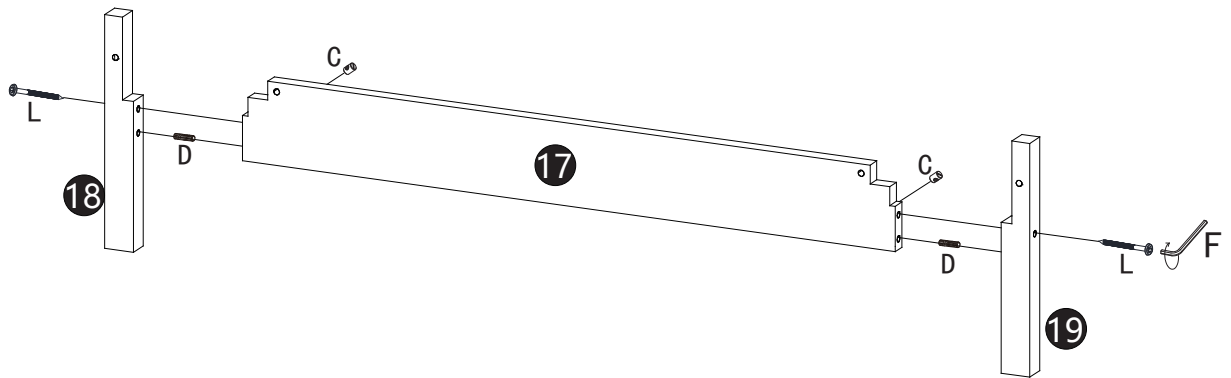
A	 15mm	 M6x90mm	2
C		$\varnothing 10 \times 13 \text{mm}$	4
D		$\varnothing 8 \times 30 \text{mm}$	4
F		M4	1
L	 15mm	 M6x80mm	2

02



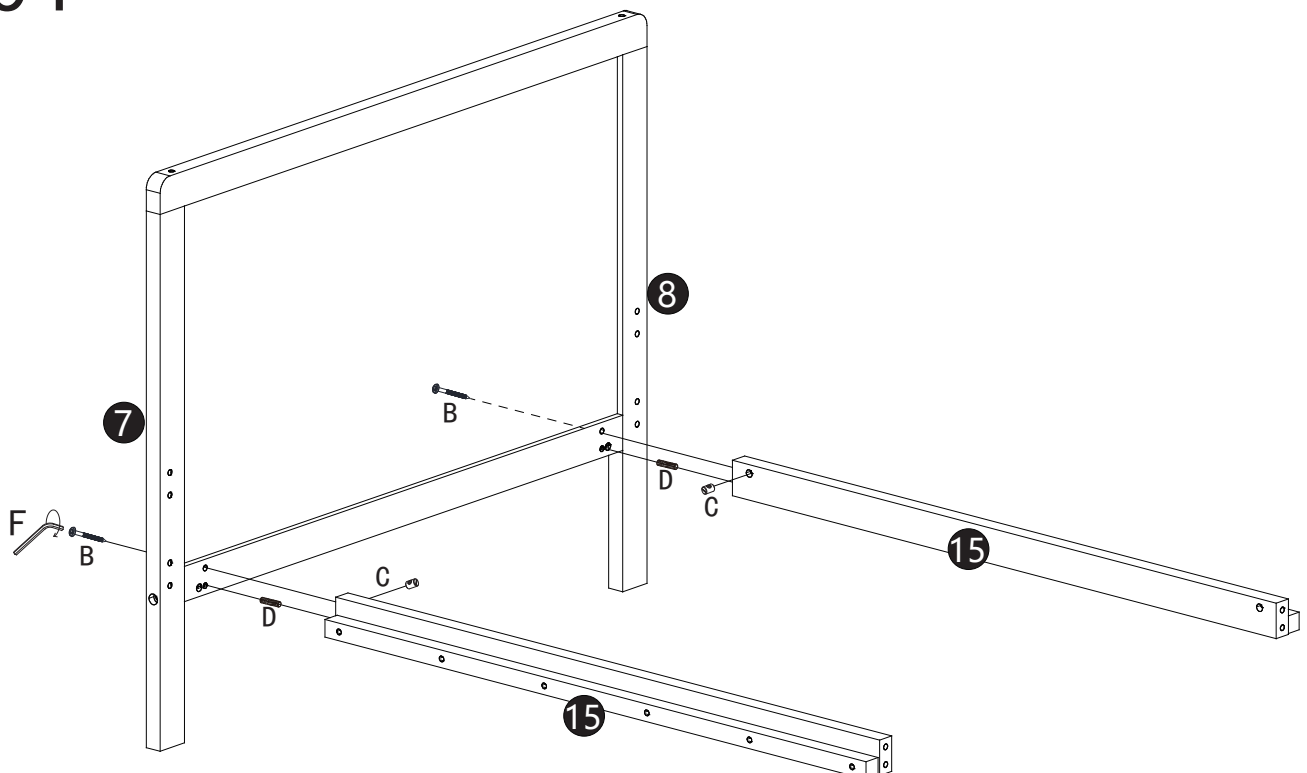
A	 15mm	 M6x90mm	2
C		Ø10x13mm	4
D		Ø8x30mm	4
F		M4	1
L	 15mm	 M6x80mm	2

03



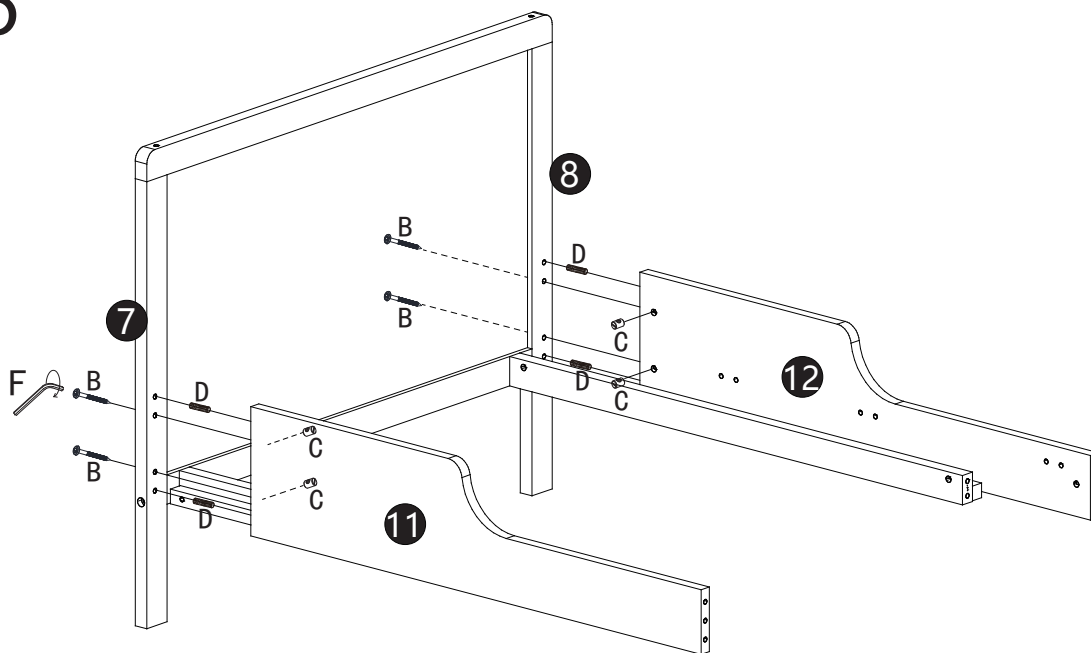
L	15mm	M6x80mm	2	D	Ø8x30mm	2
C	Ø10x13mm		2	F	M4	1

04



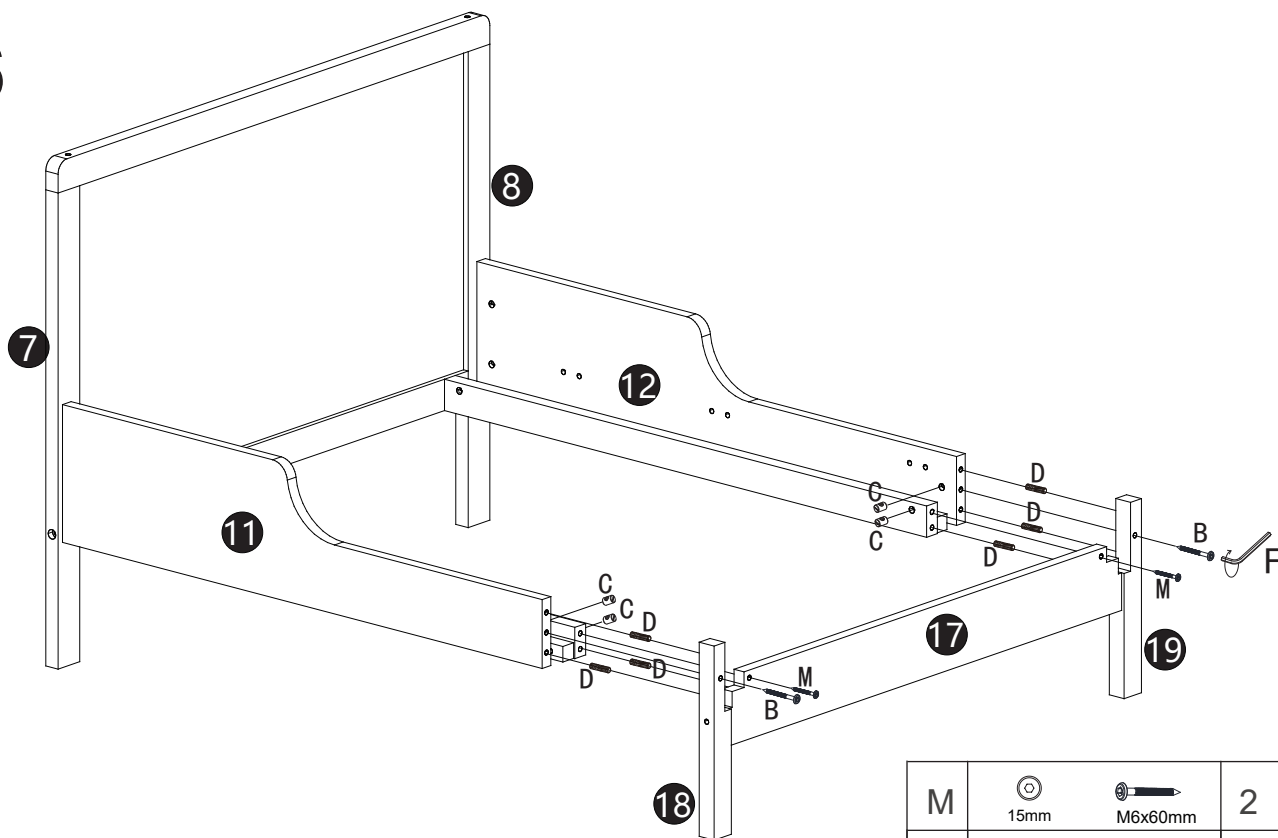
B	15mm	M6x70mm	2	D	Ø8x30mm	2
C	Ø10x13mm		2	F	M4	1






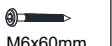

05



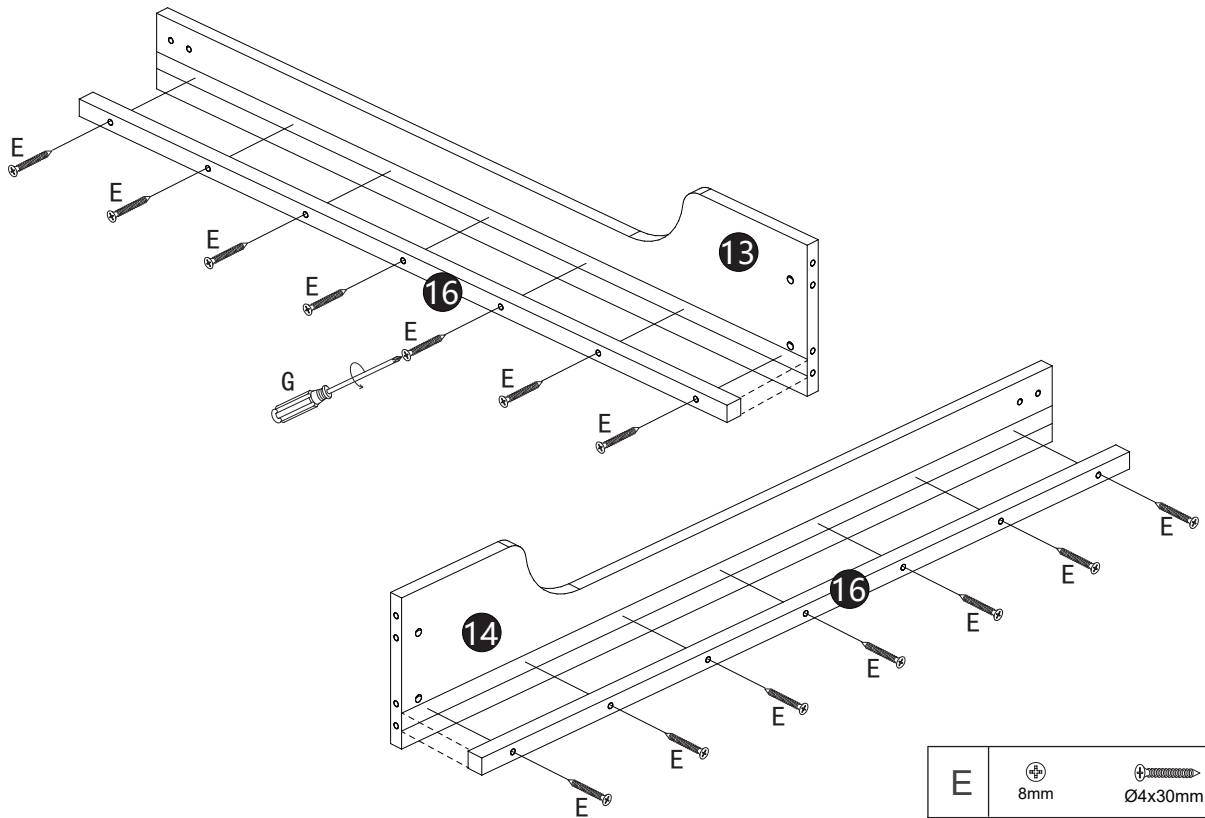
B			4	D		Ø8x30mm	4
C			4	F		M4	1




06



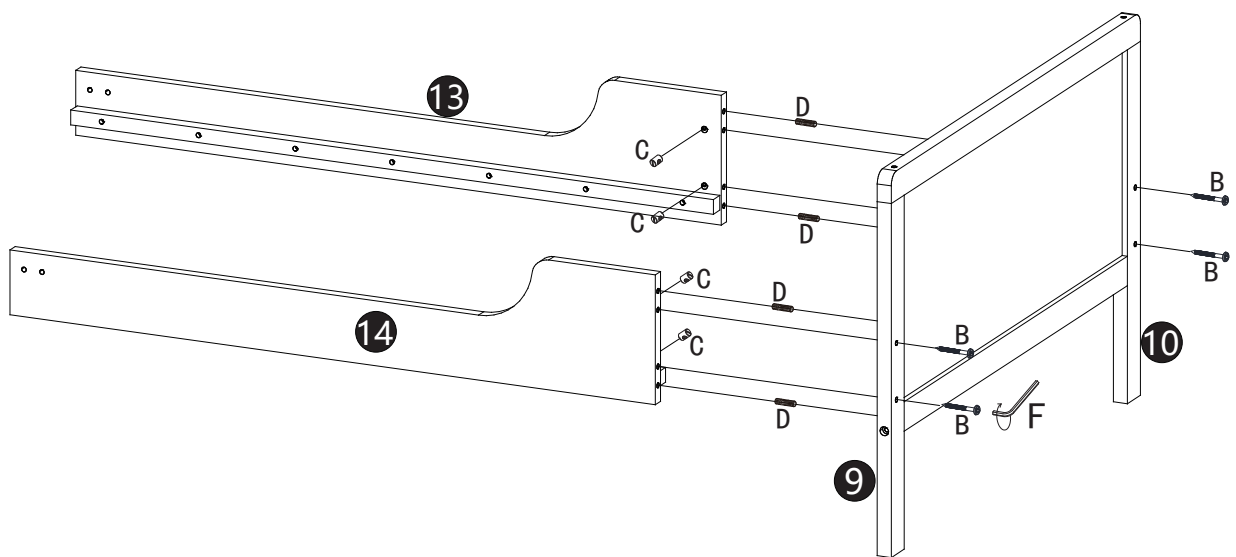
B			2	C			4	F		M4	1
M			2	D		Ø8x30mm	6				


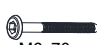



07



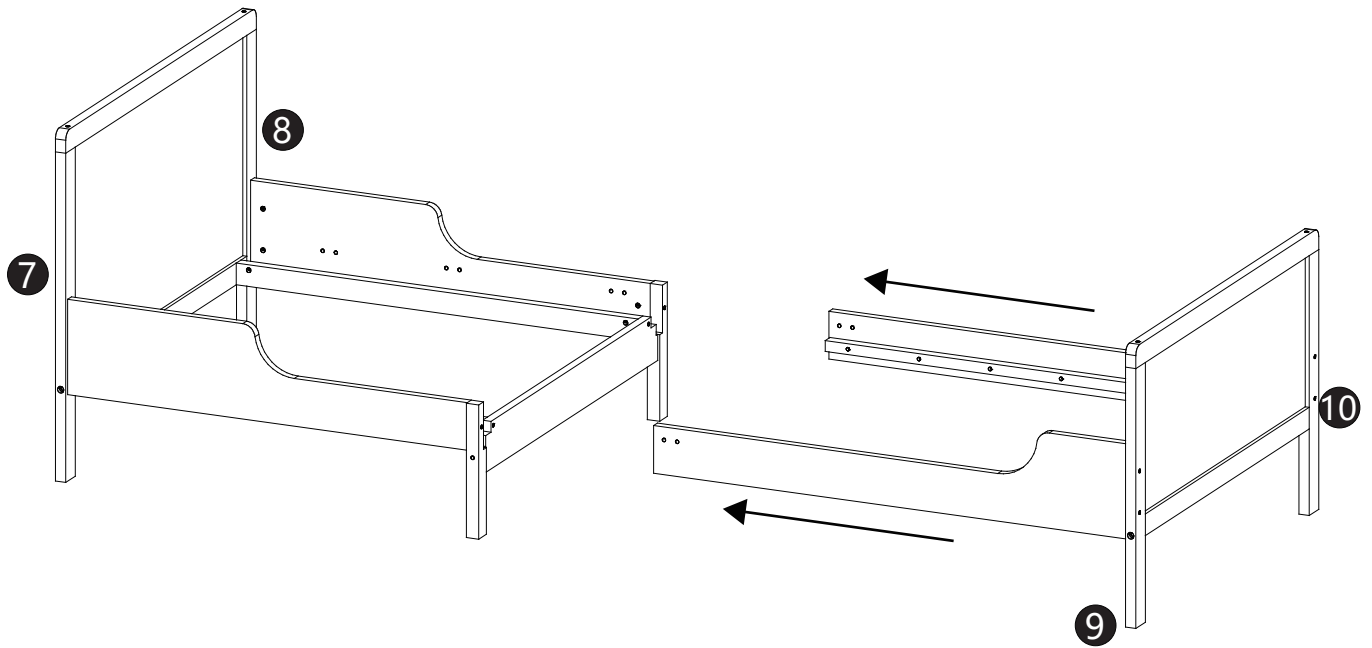
E	 8mm	 Ø4x30mm	14
G			1

08

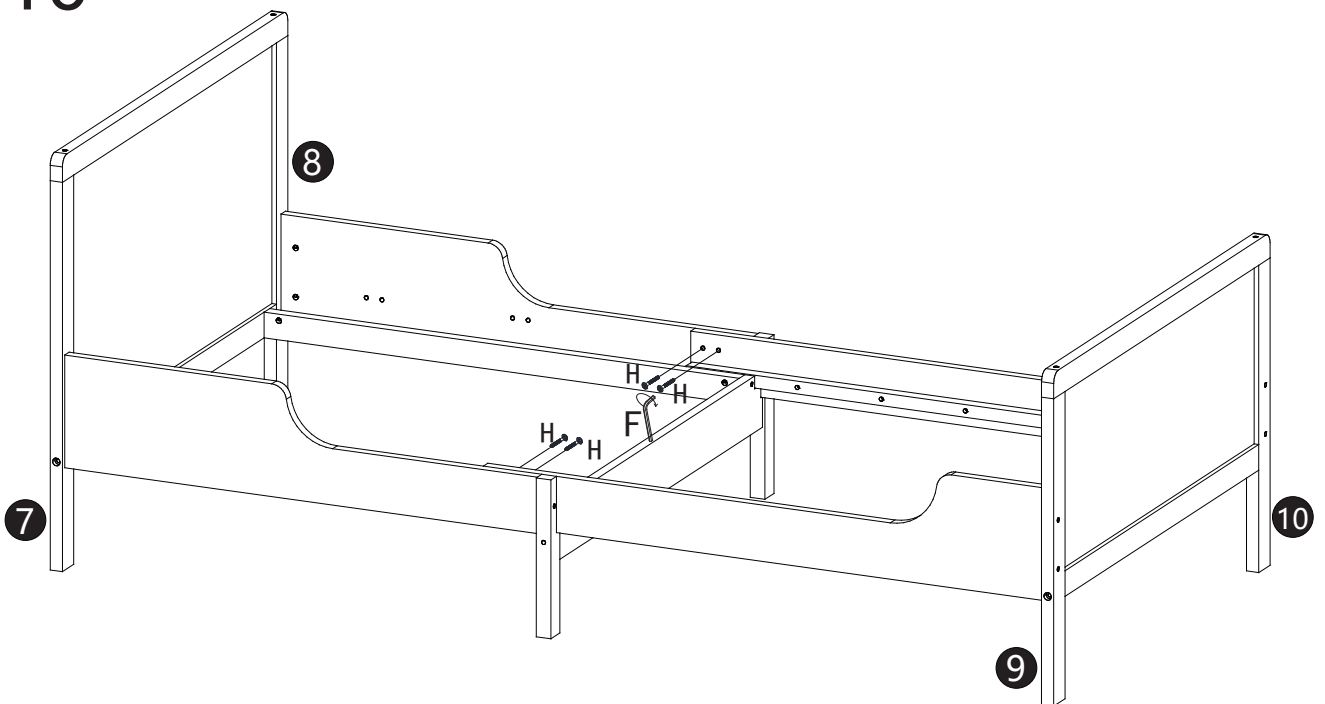


B	 15mm	 M6x70mm	4	D		Ø8x30mm	4	
C		Ø10x13mm	4	F			M4	1

09

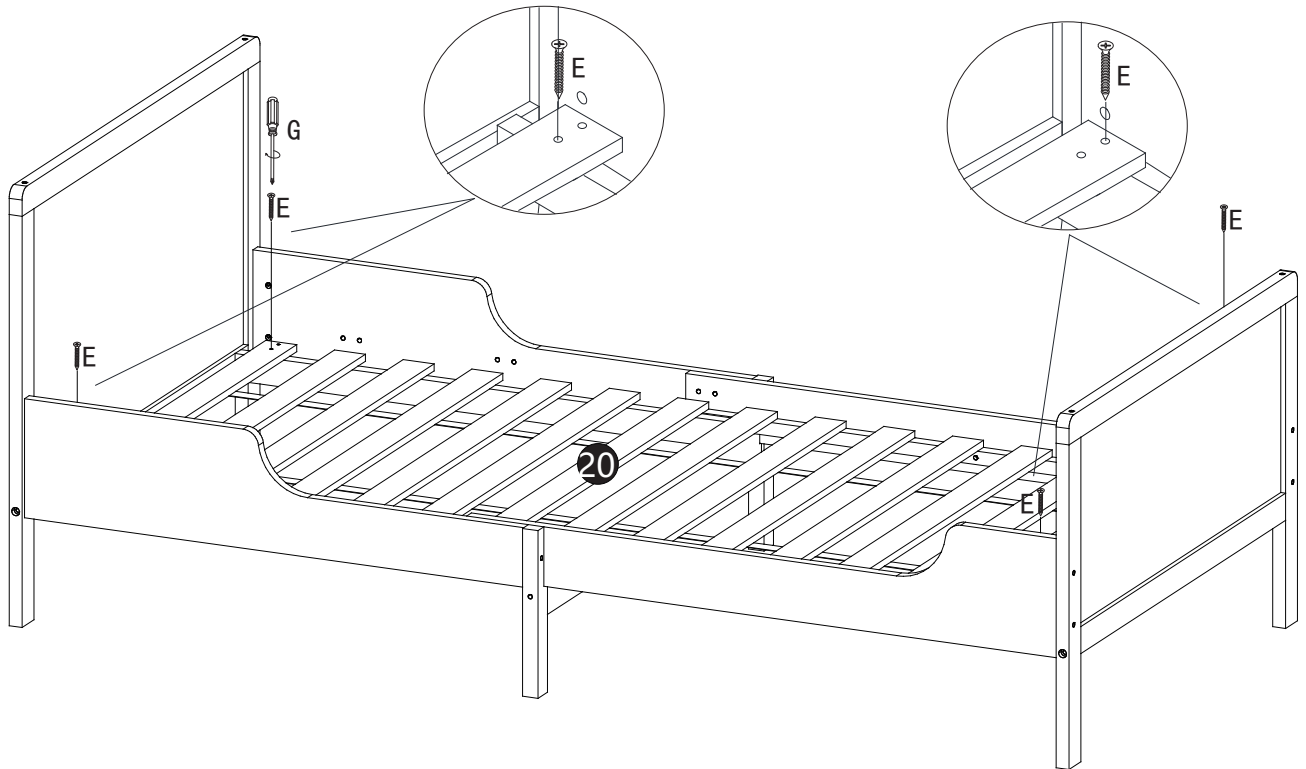


10



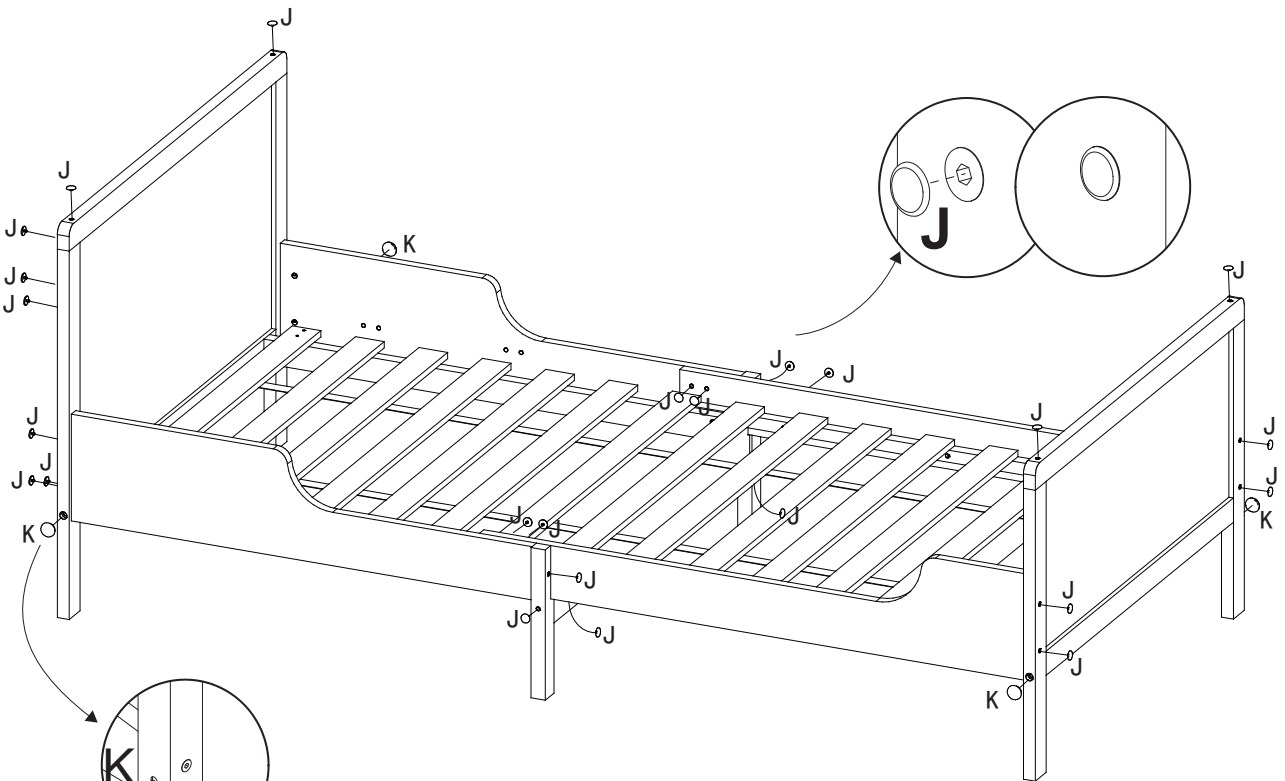
H	15mm	M6x30mm	4
F		M4	1

11



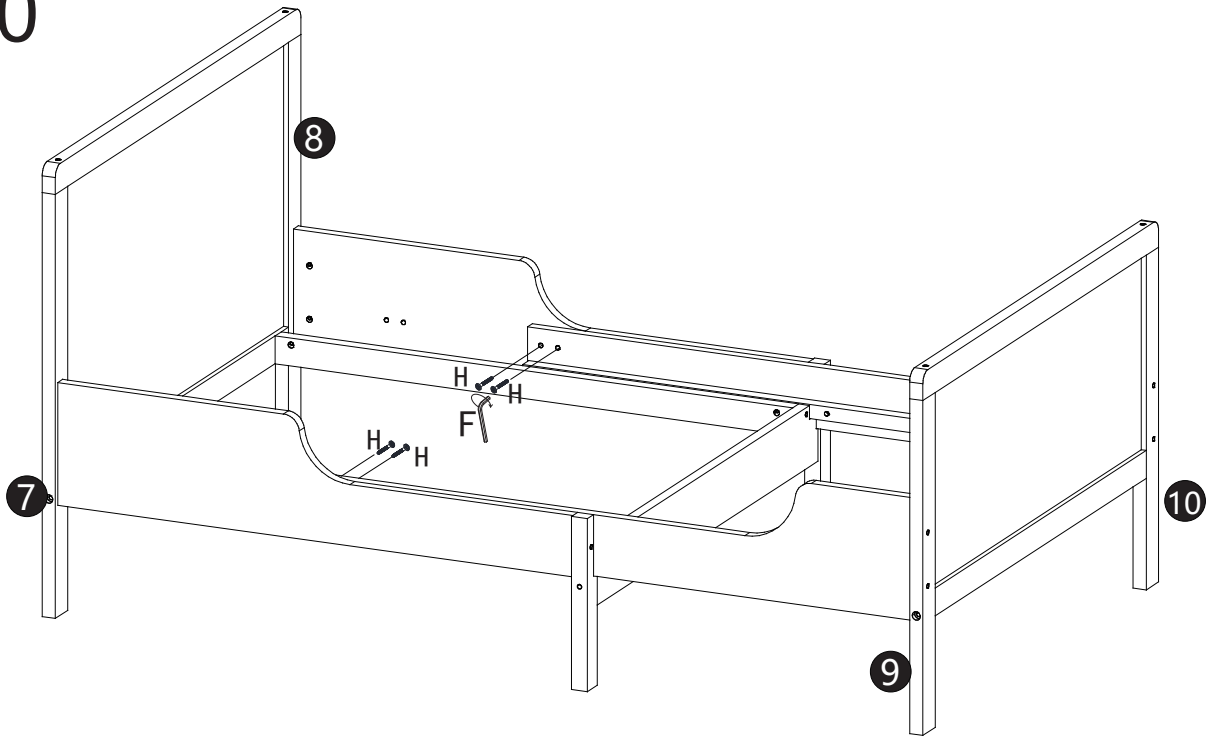
E	 8mm	 Ø4x30mm	4	G		1
---	---	--	---	---	---	---

12



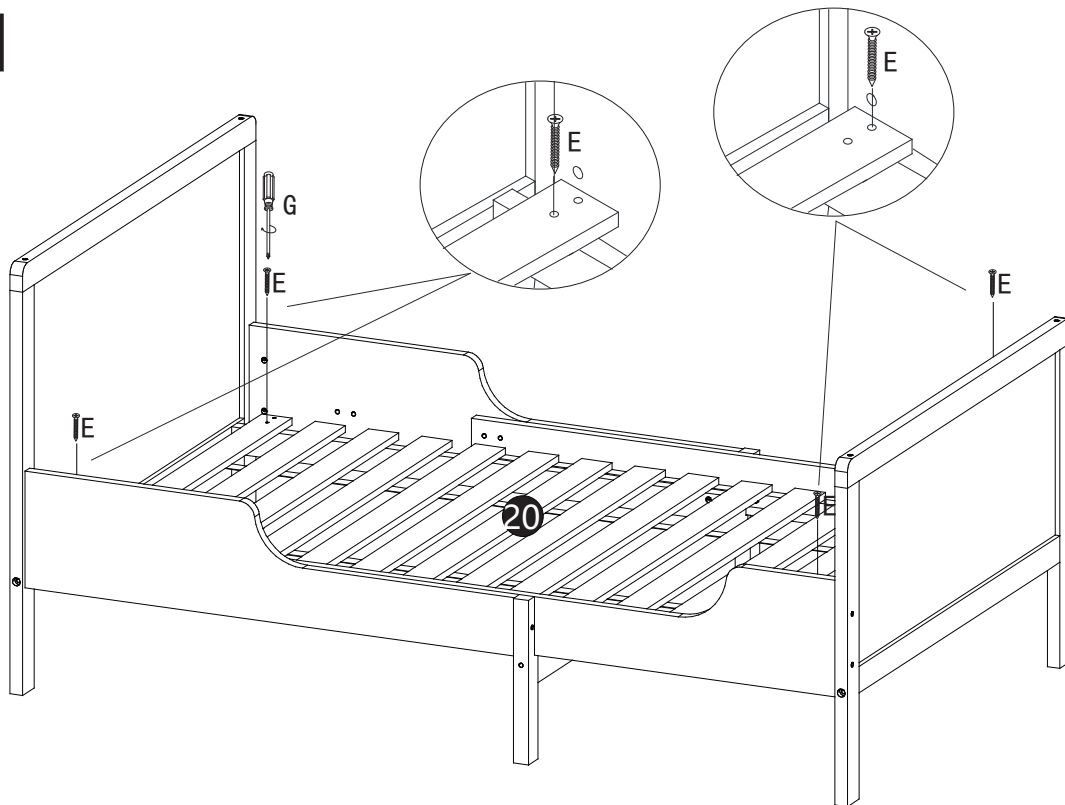
J		24	K		4
---	---	----	---	---	---

10



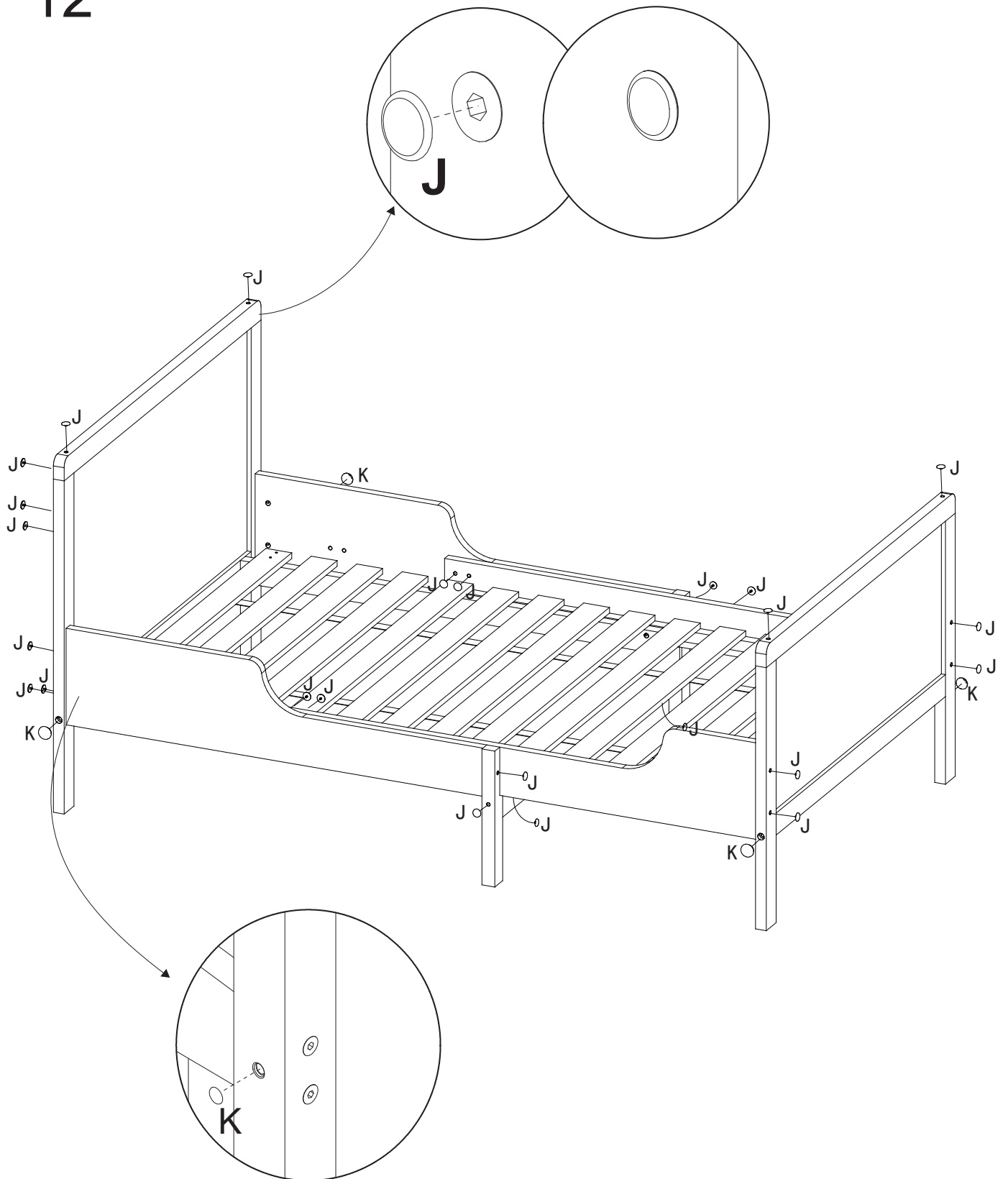
H	15mm	M6x30mm	4
F		M4	1

11



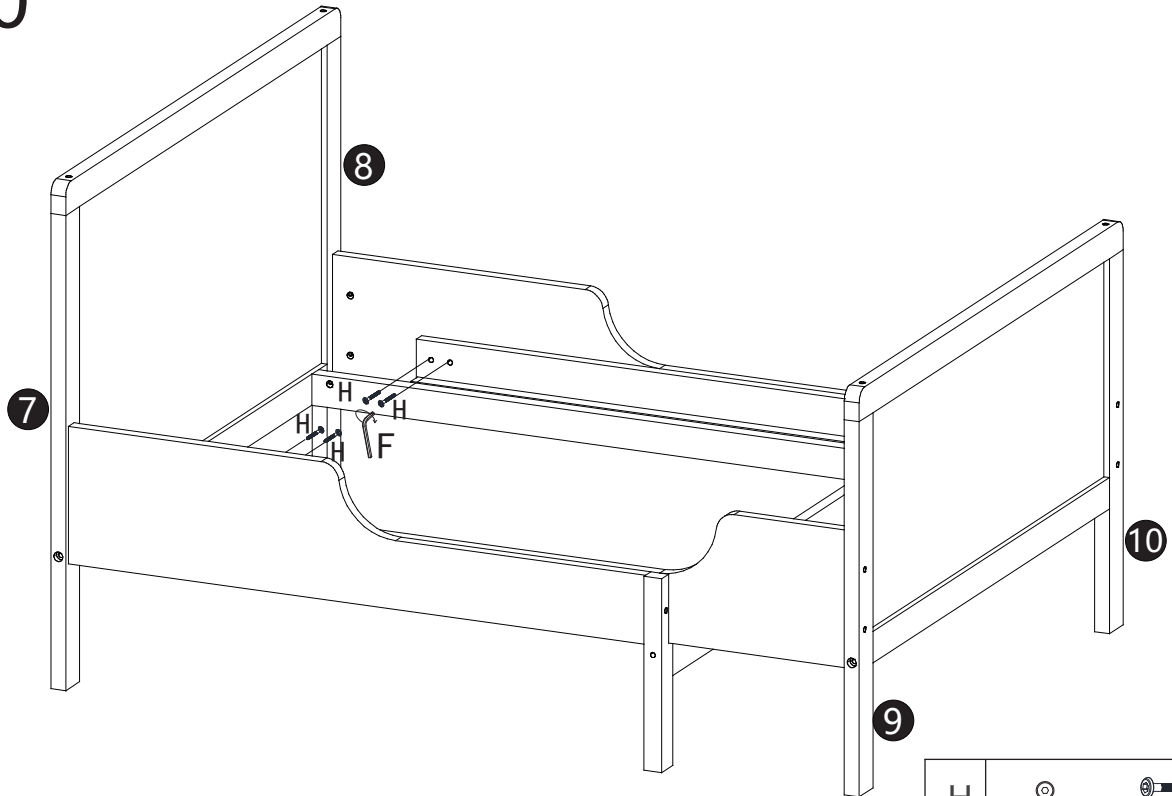
E	8mm	Ø4x30mm	4	G		1
---	-----	---------	---	---	--	---

12



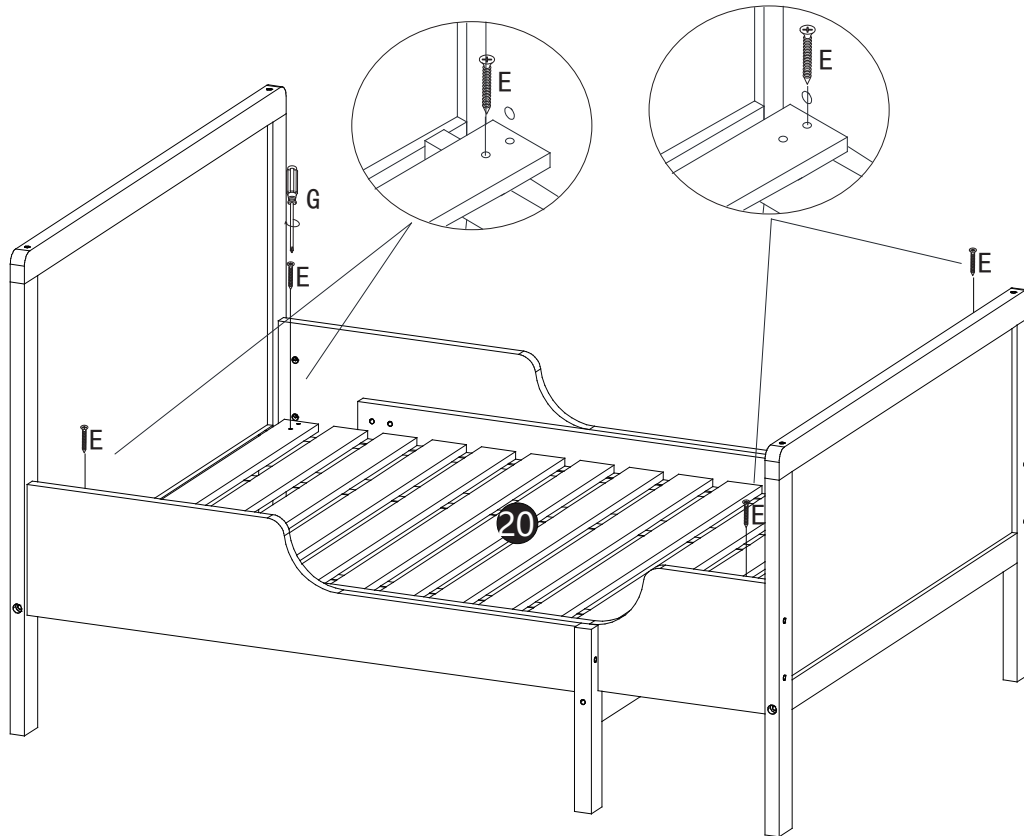
J		24	K		4
---	---	----	---	---	---

10



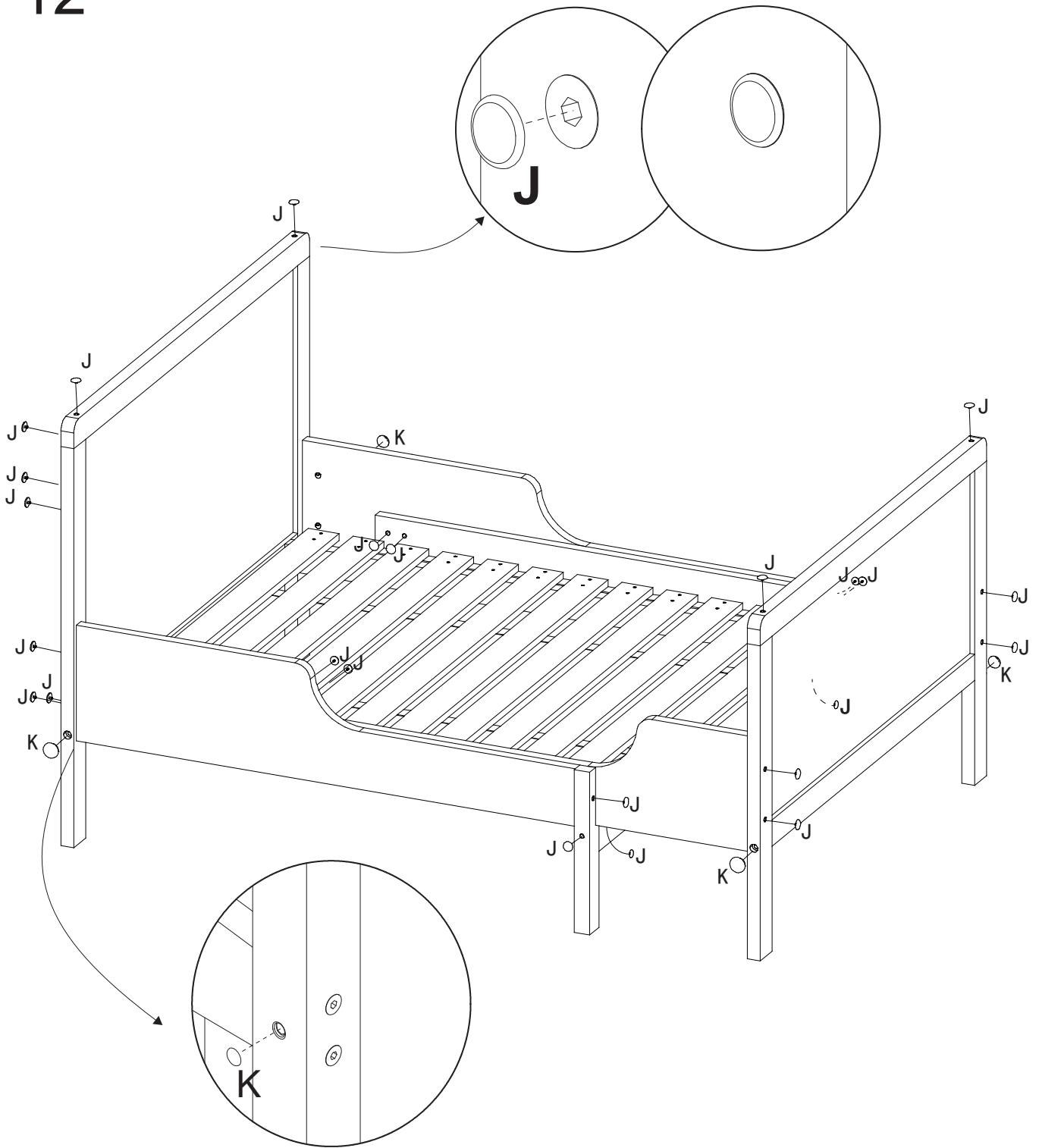
H	15mm	M6x30mm	4
F		M4	1

11



E	8mm	Ø4x30mm	4	G		1
---	-----	---------	---	---	--	---

12



J		24	K		4
---	--	----	---	--	---