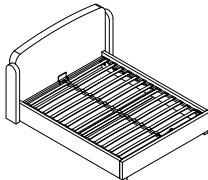


# ASSEMBLY INSTRUCTIONS

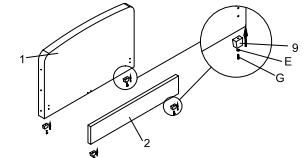


PART LIST				
1.Headboard	2.Footboard	3.Support Leg	4.Sideboard	5.Bottom support Rail
X1	X1	X2	X2	X1
6.Slats	7.Double-hole Plastic Cap	8.Single-hole Plastic Cap	9.Legs	10.Slat side bar
X26	X13	X26	X4	X2
11.Slat side bar	12.Slat center bar	13.Bracket	14.Bottom panel	15.Lifting frame
X2	X1	X2	X2	X2
16.Piston	17.Strap handle	18.Mattress stopper	19.Stabilizer bar	20.Stop Cube
X2	X1	X1	X1	X1
21.Wings				
X2				

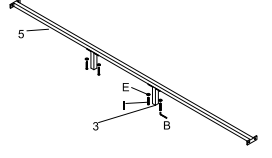
HARDWARE LIST					
(A) Bolt M8*30mm	(B) Allen key	(C) Nut M8	(D) Spring Washer	(E) Flat Washer	(F) Spanner
X32	X1	X6	X8	X65	X1
(G) Bolt 8*50mm	(H) Bolt 8*40mm	(I) Bolt 6*20	(J) Bolt 8*20mm	(K) Mute sticker	
X5	X12	X4	X12	X5	

1 OF 4

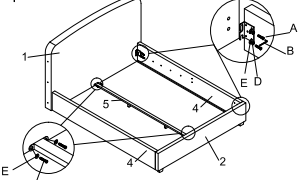
**Step 1**



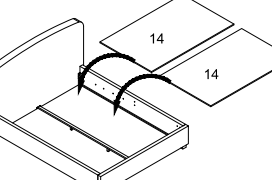
**Step 2**



**Step 3**

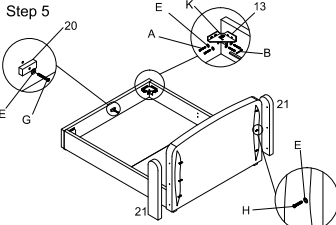


**Step 4**

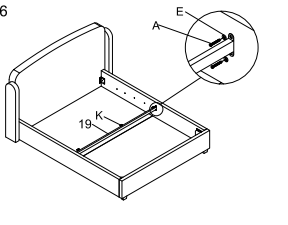


2 OF 4

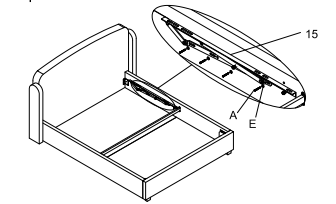
**Step 5**



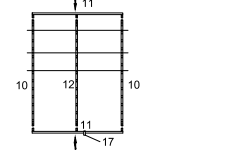
**Step 6**



**Step 7**



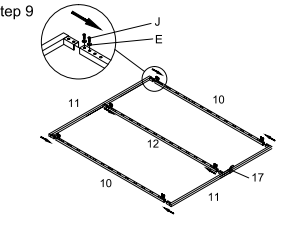
**Step 8**



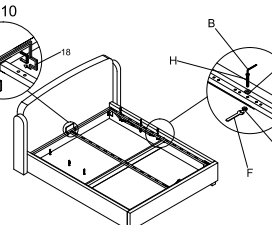
Pay attention to keep the order of parts 10 consistent, and keep the three holes in the same horizontal line

3 OF 4

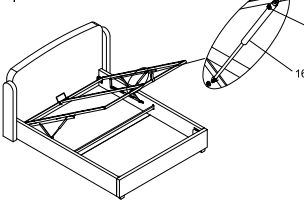
**Step 9**



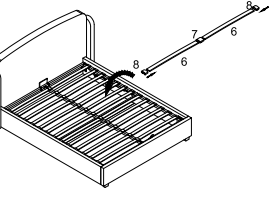
**Step 10**



**Step 11**



**Step 12**



4 OF 4