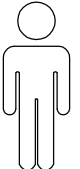
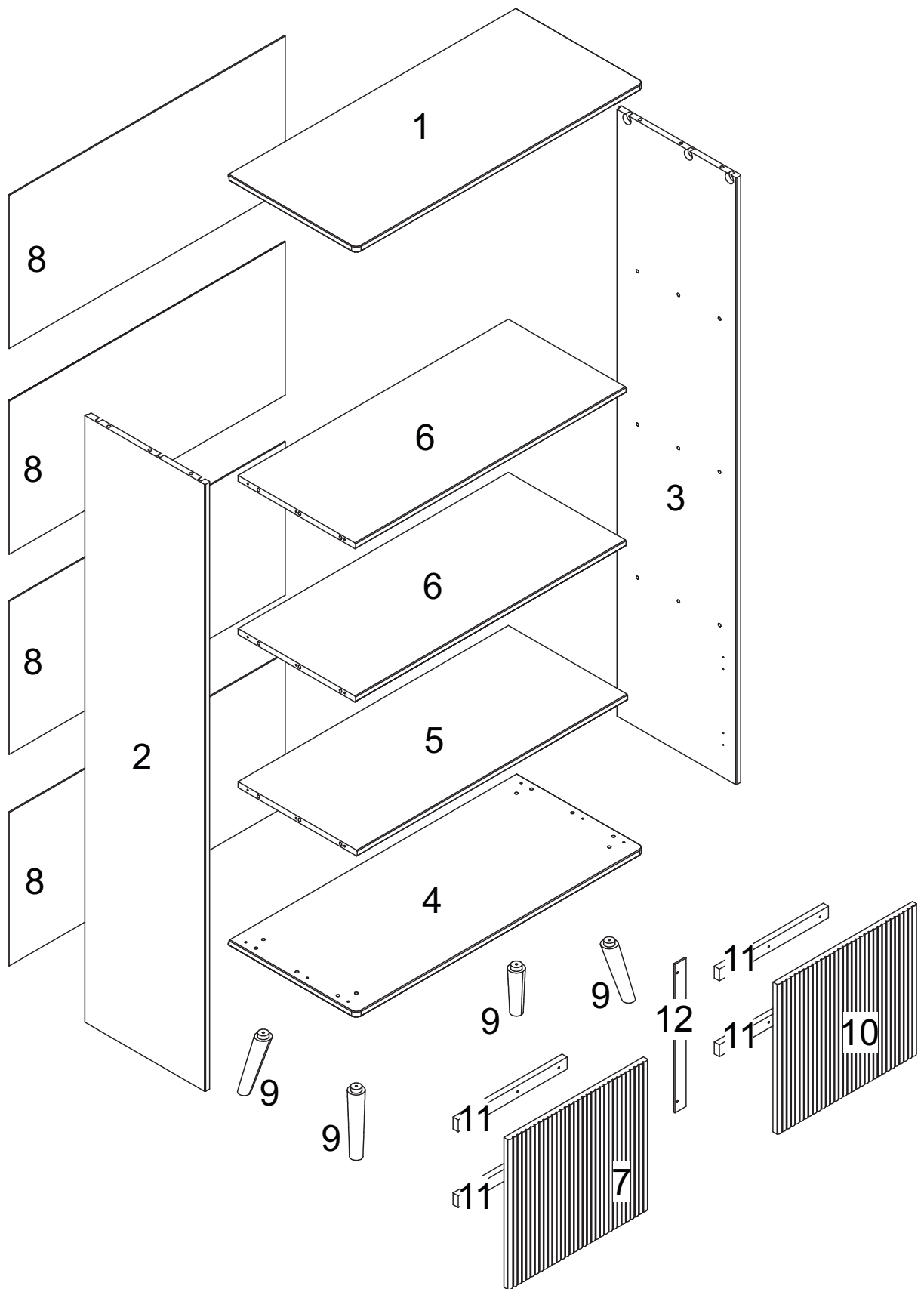
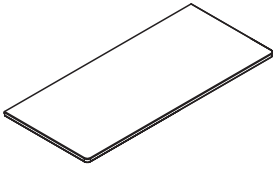
	<p>90'</p>
		
		<p>2</p>



1



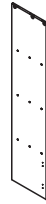
x 1

2



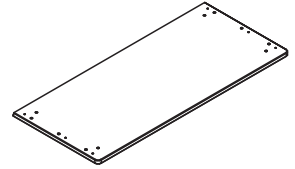
x 1

3



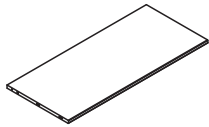
x 1

4



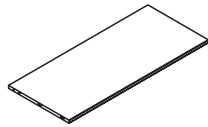
x 1

5



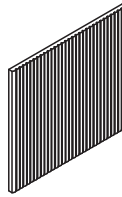
x 1

6



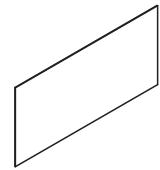
x 2

7



x 1

8



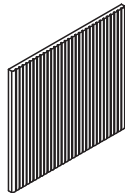
x 4

9



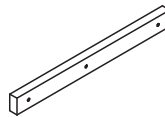
x 4

10



x 1

11



x 4

12



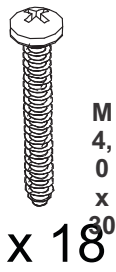
x 1

A



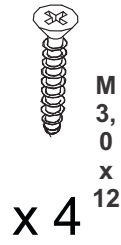
x 30

B



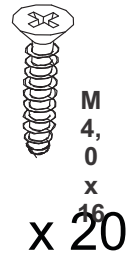
x 18

C



x 4

D



x 20

E



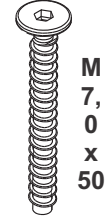
x 6

F



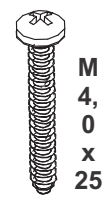
x 1

G



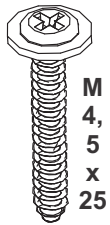
x 4

H



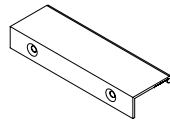
x 12

I



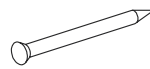
x 4

J



x 2

K



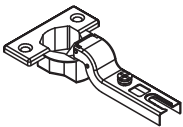
x 49

L



x 4

M



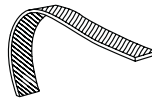
x 4

N



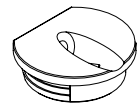
x 2

O



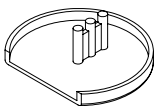
x 1

P



x 6

Q



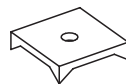
x 6

R



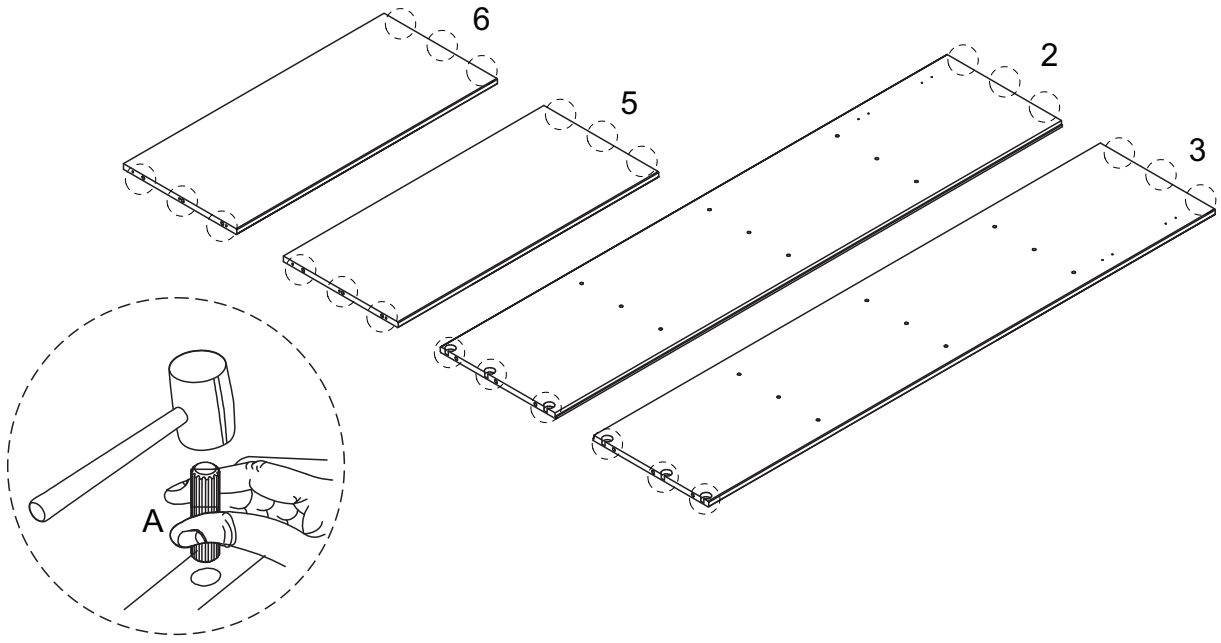
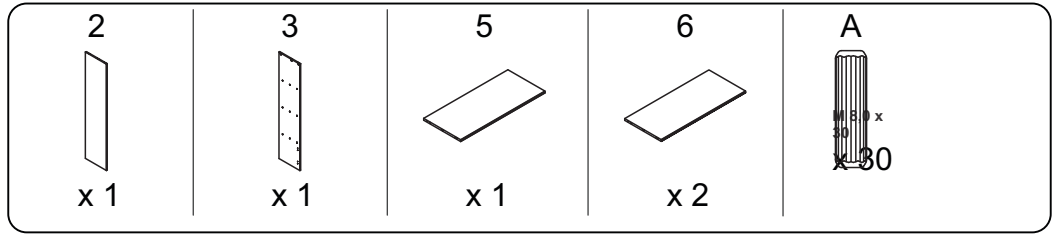
x 6

S

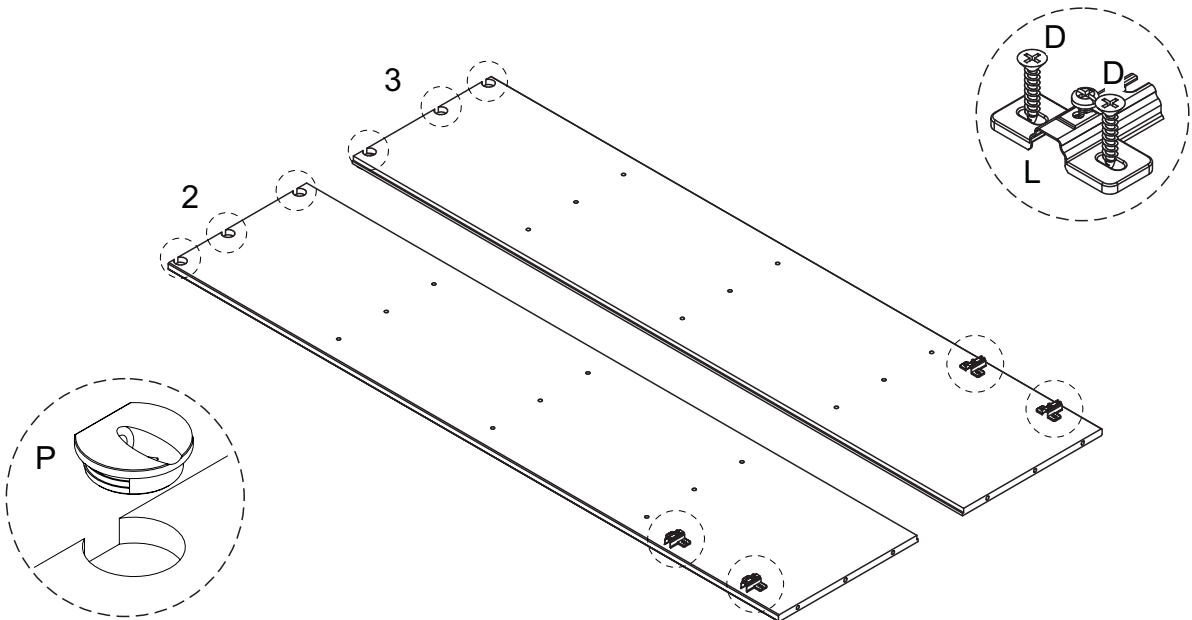
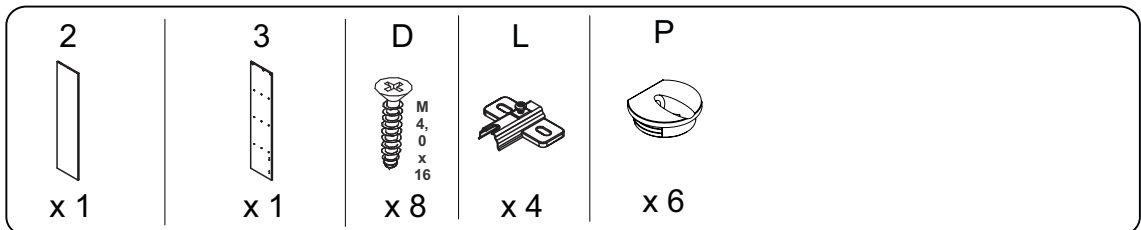


x 9

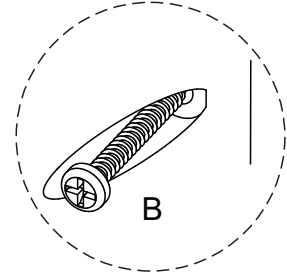
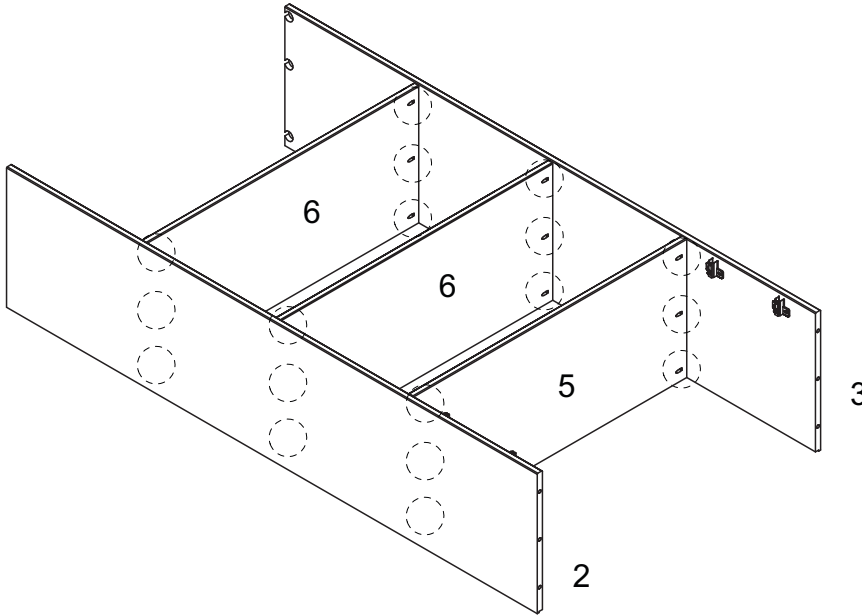
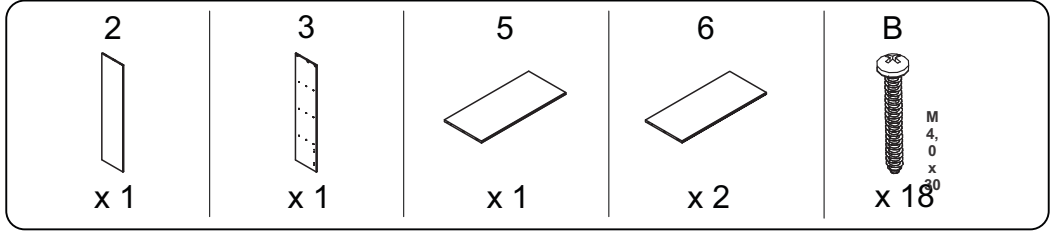
1



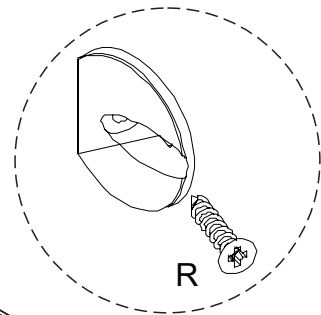
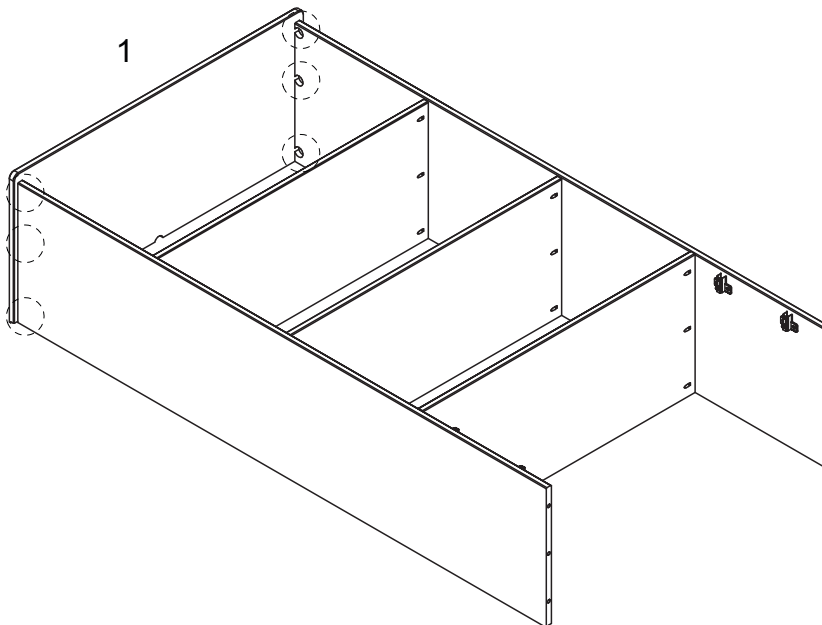
2



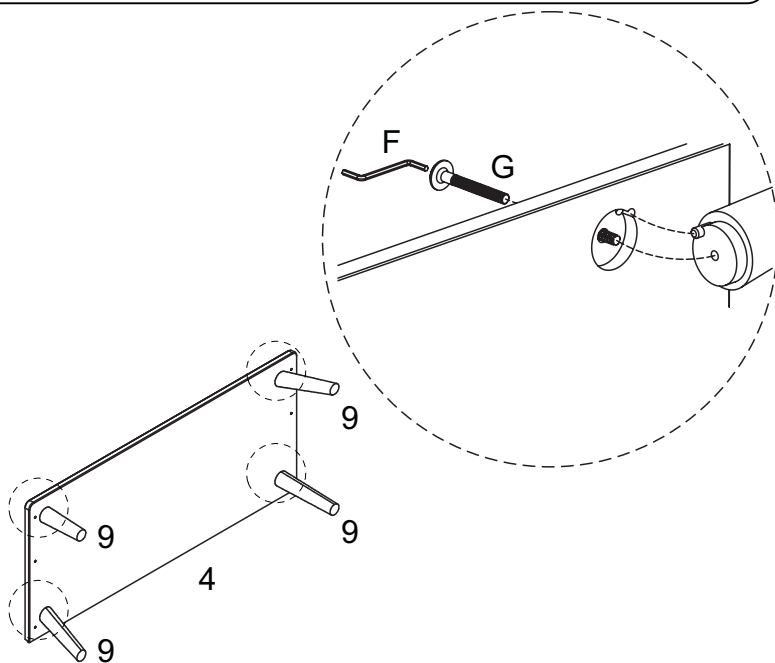
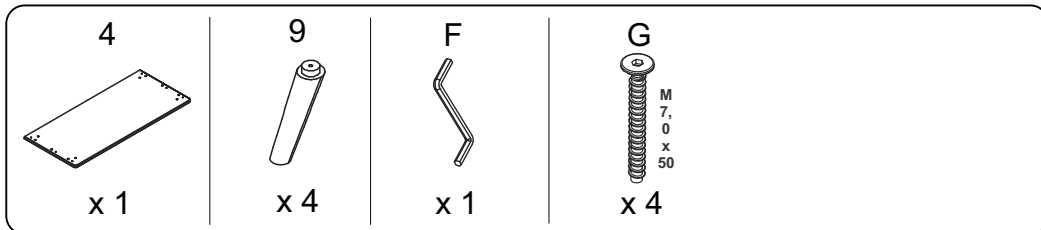
3



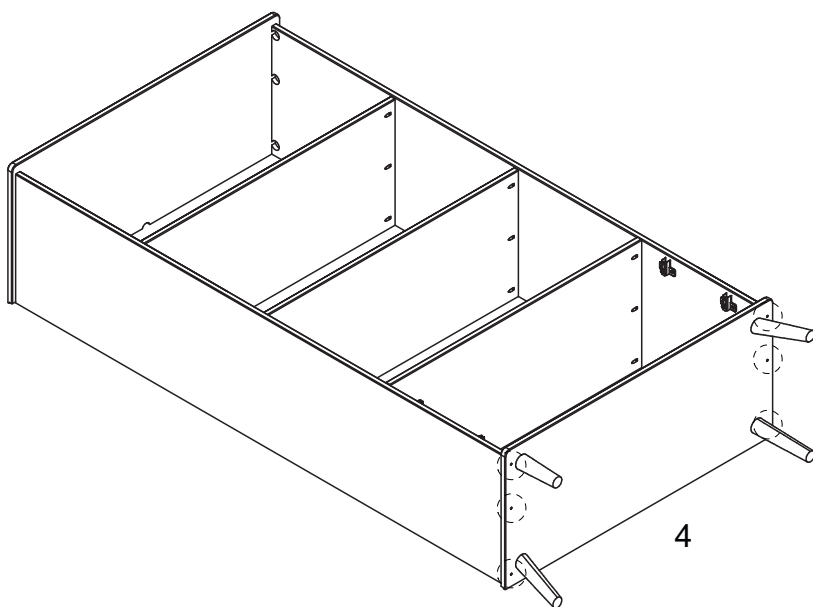
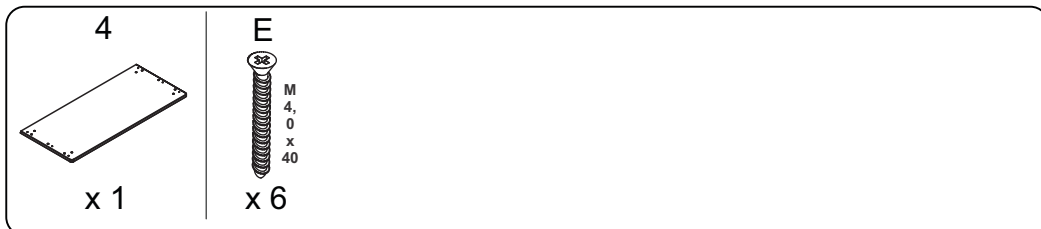
4



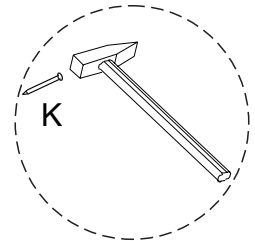
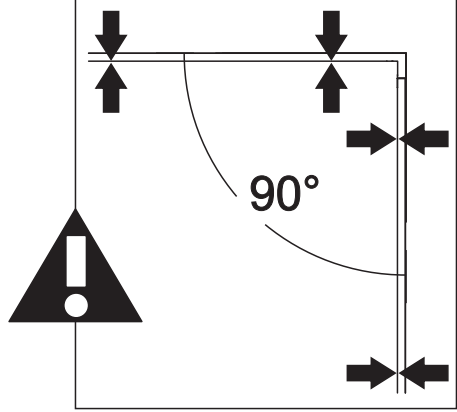
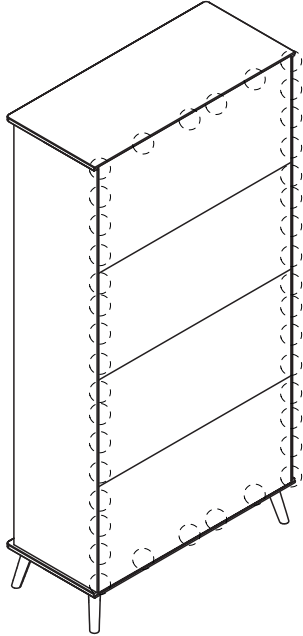
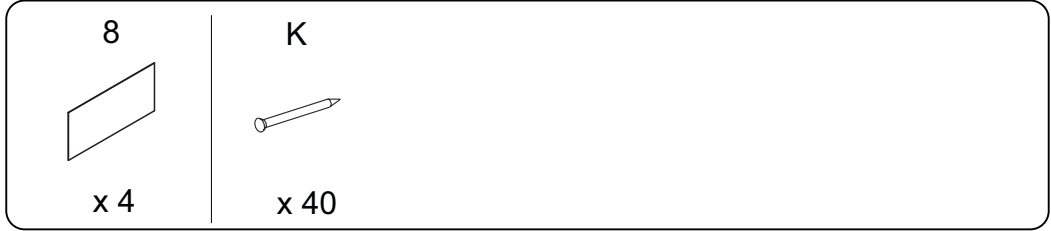
5



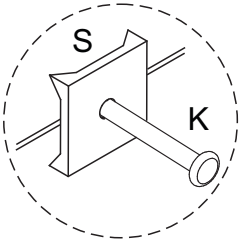
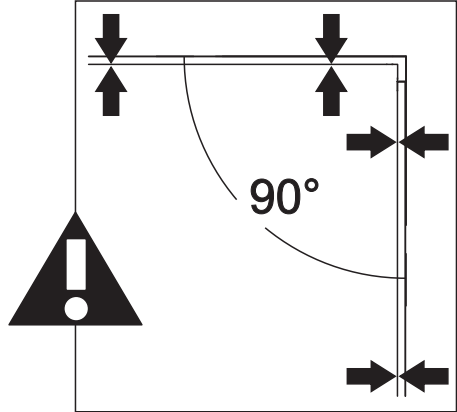
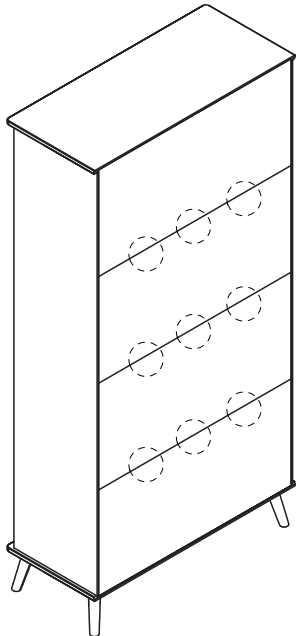
6



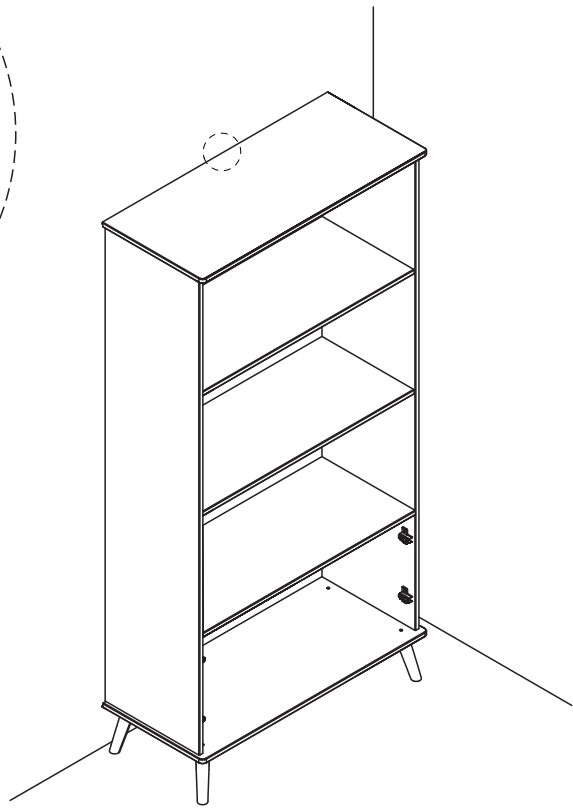
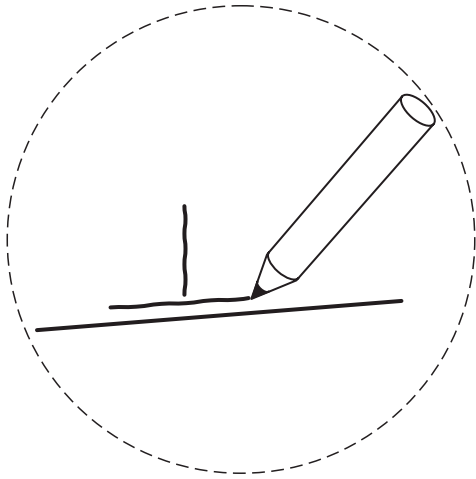
7



8

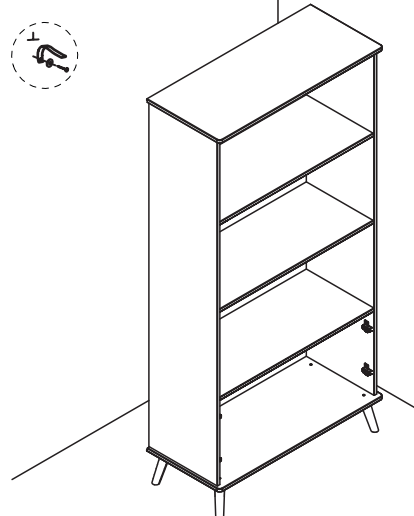
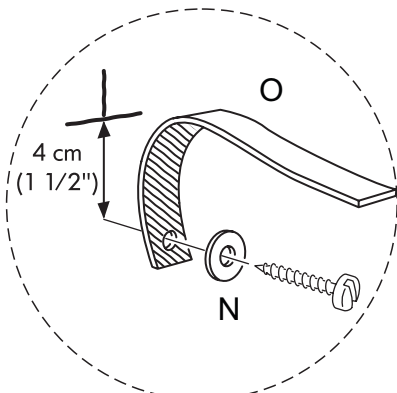
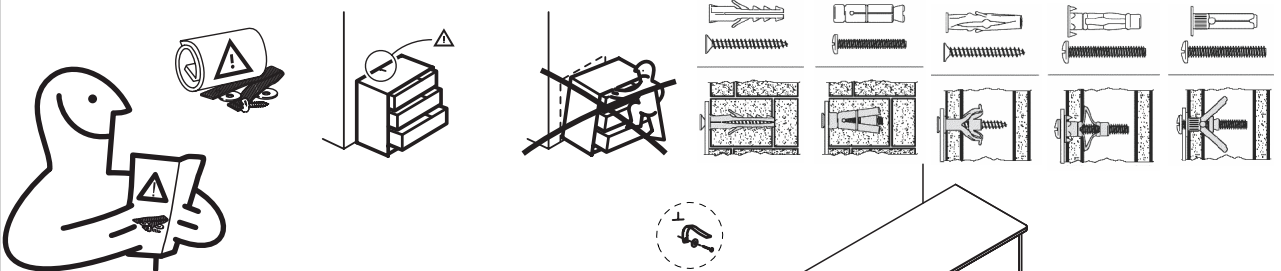


9

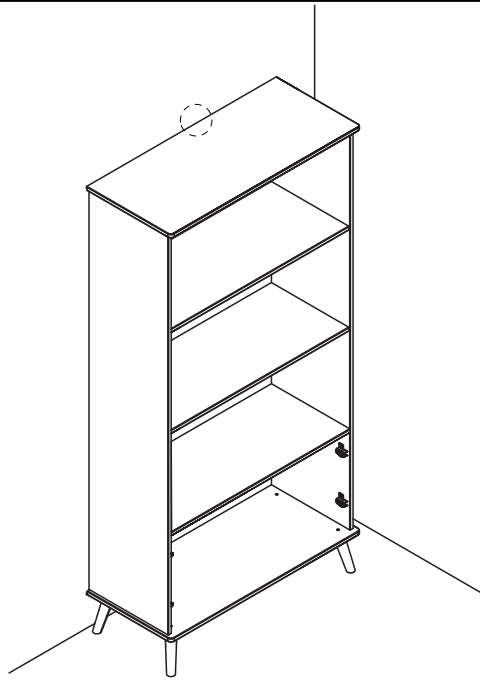
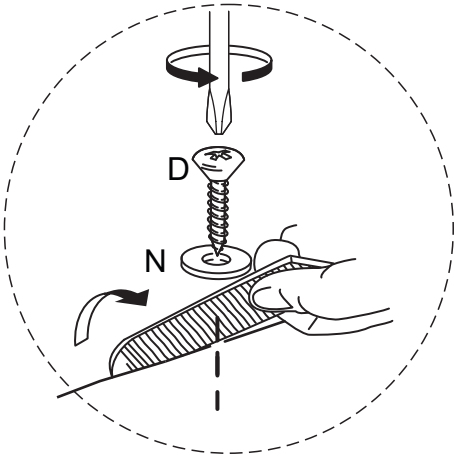
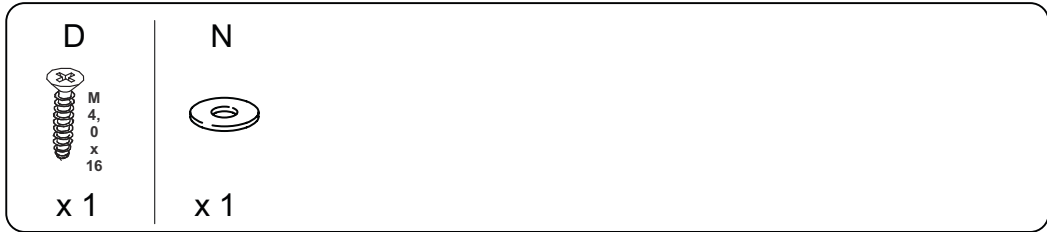


10

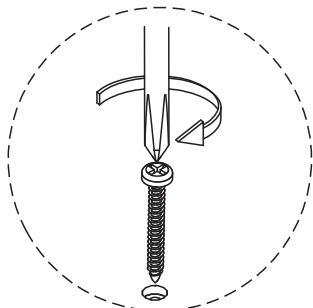
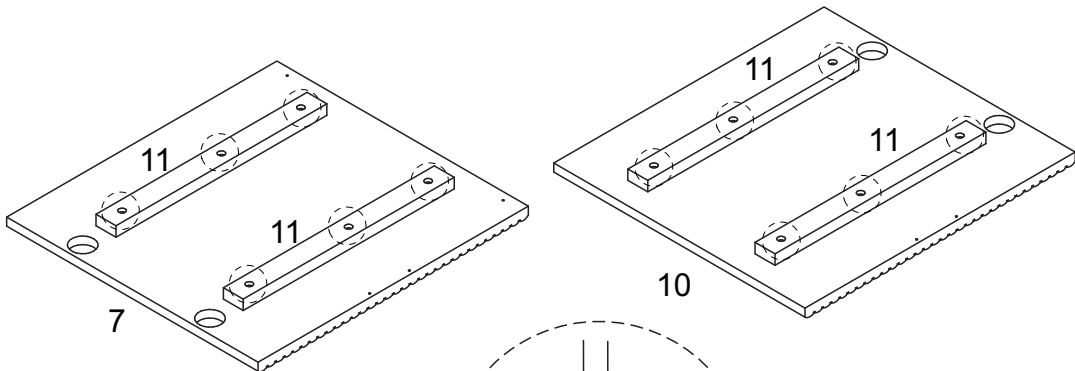
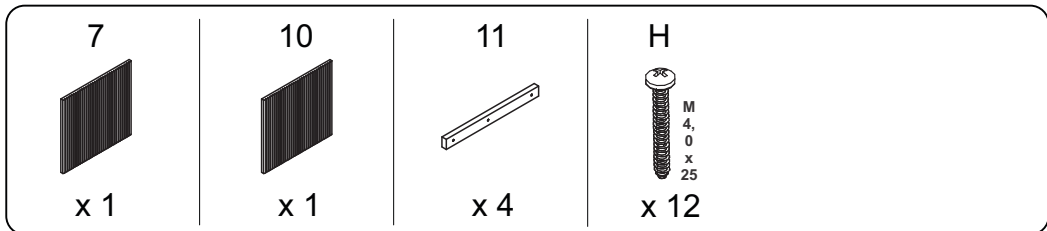
N	O
x 1	x 1








11

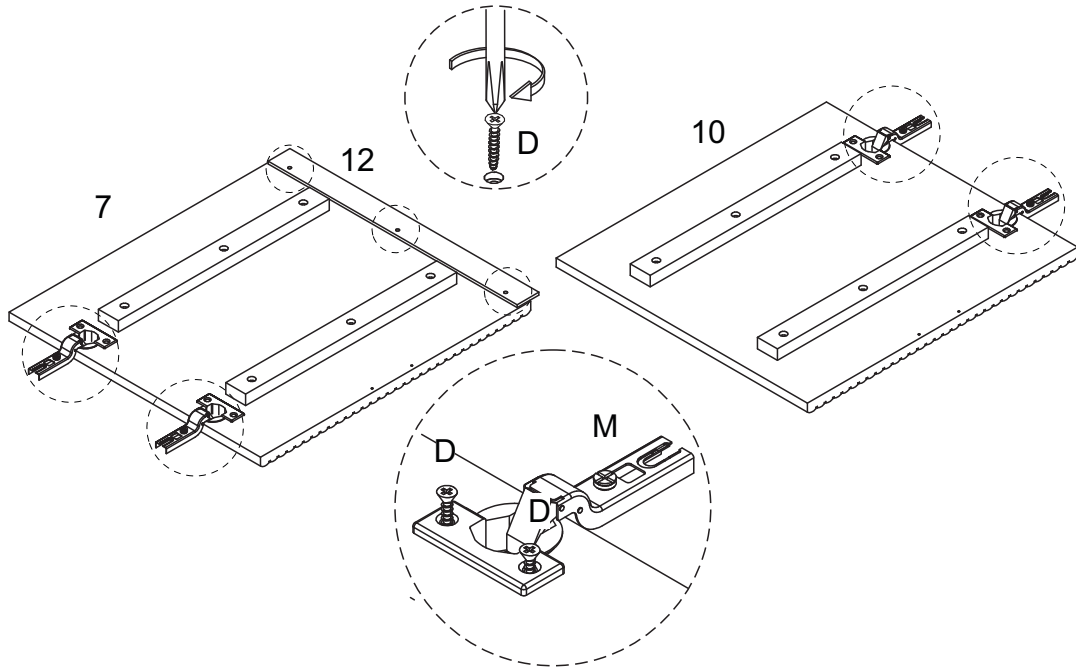


12


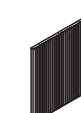
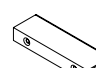



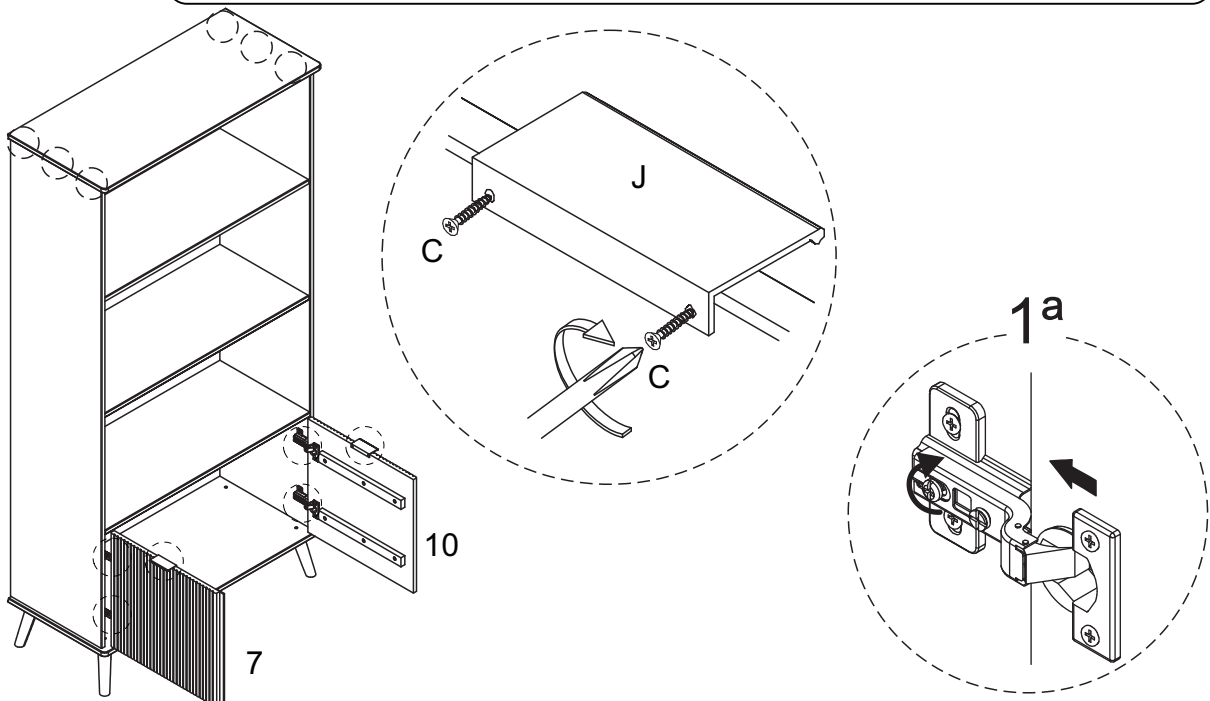
13

7  x 1	10  x 1	12  x 1	D  M 4,0 x 16 x 1	M  x 4
---	--	--	--	---



14

7  x 1	10  x 1	J  x 2	C  M 3,0 x 12 x 4
---	--	---	---



15

