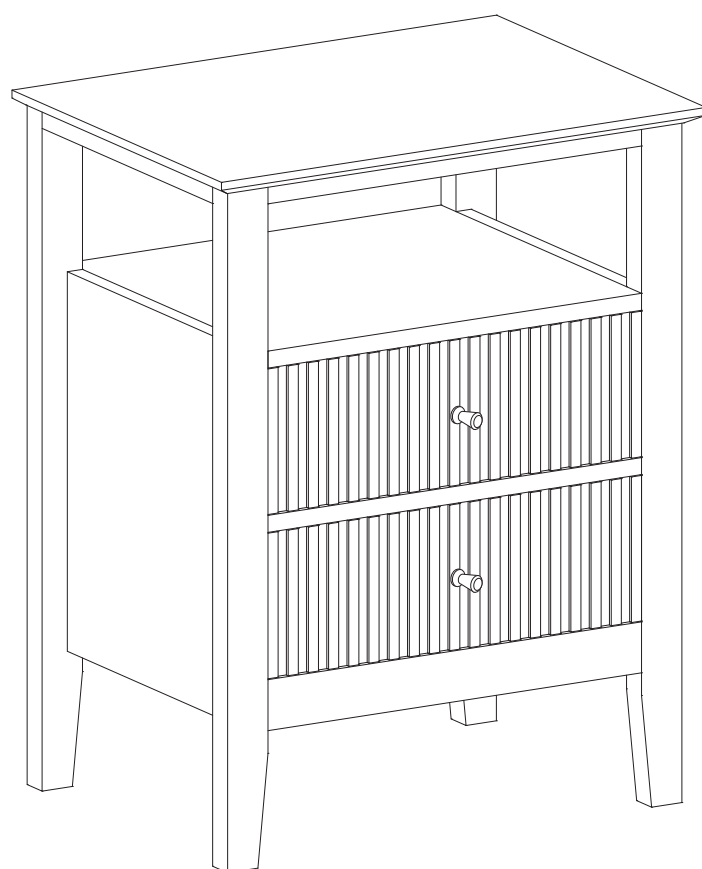
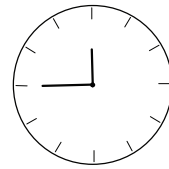
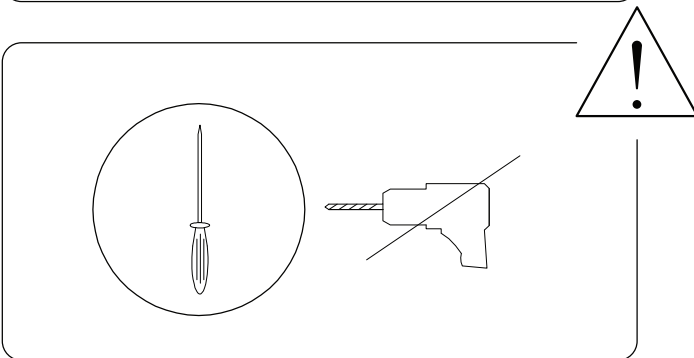
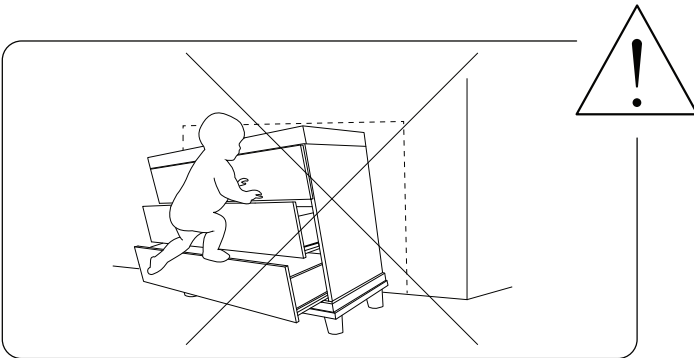
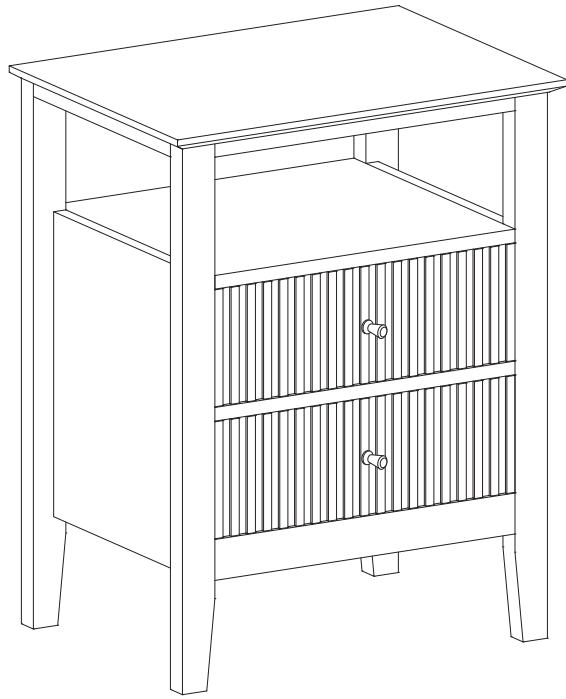
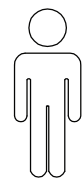
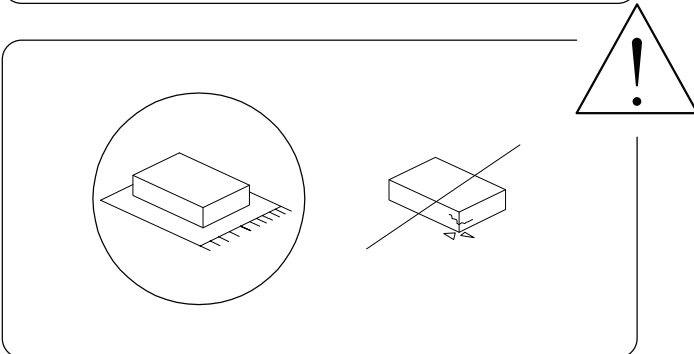


# ASSISI

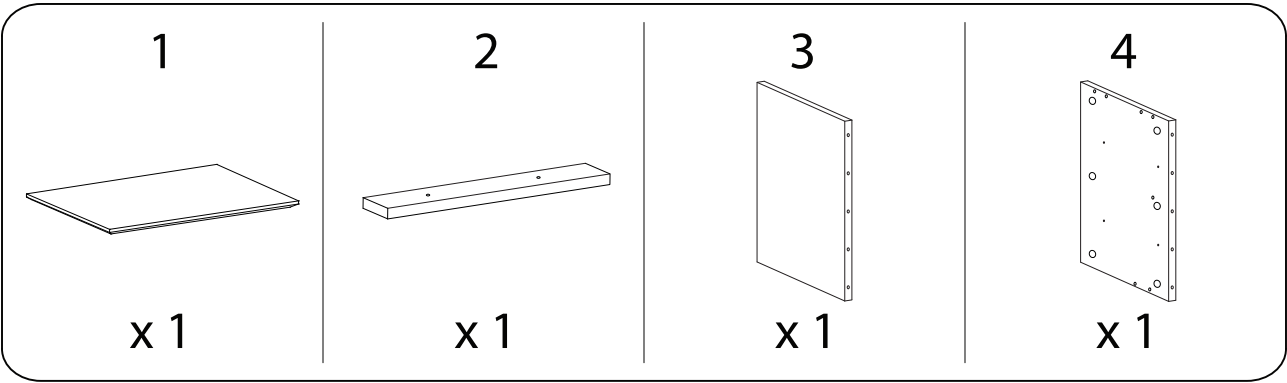
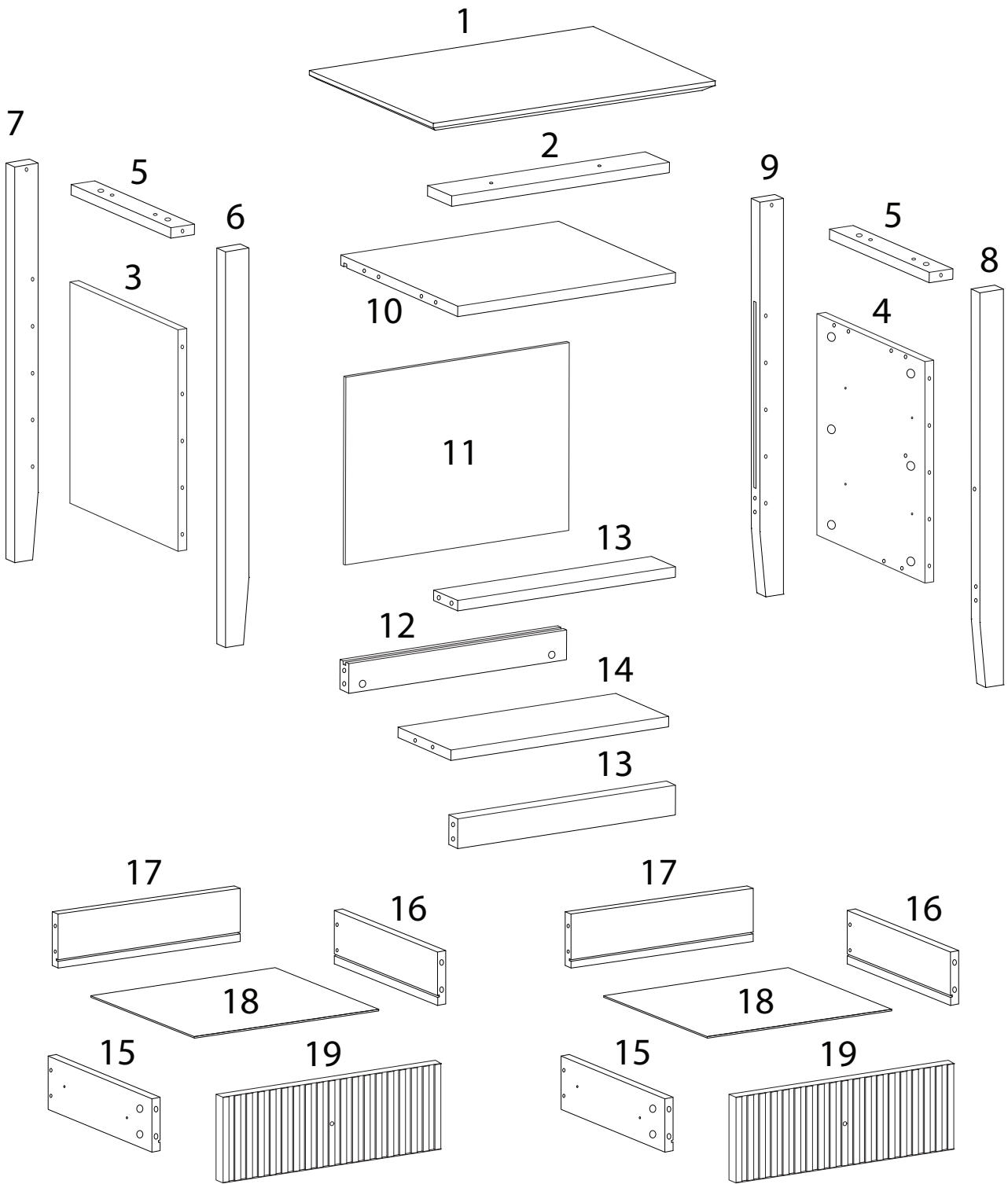




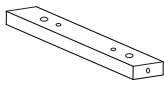
45'



1



5



x 2

6



x 1

7



x 1

8



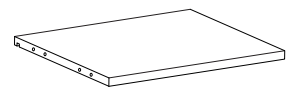
x 1

9



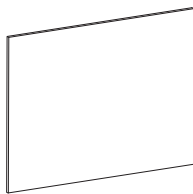
x 1

10



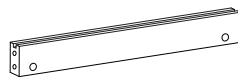
x 1

11



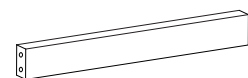
x 1

12



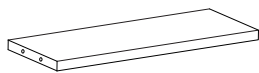
x 1

13



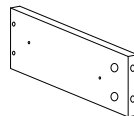
x 2

14



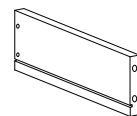
x 1

15



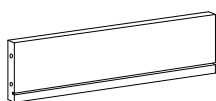
x 2

16



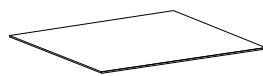
x 2

17



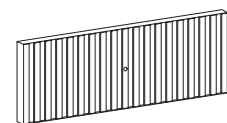
x 2

18



x 2

19



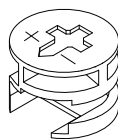
x 2

A



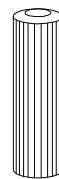
x 36

B



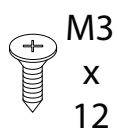
x 36

C



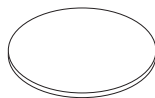
x 20

D



x 16

E



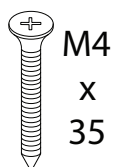
x 4

F



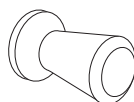
x 6

G



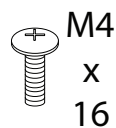
x 8

H



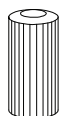
x 2

I



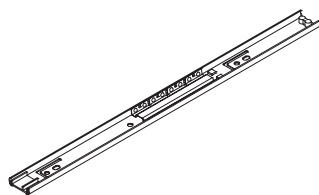
x 2

M



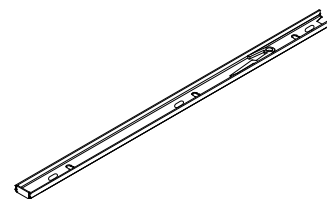
x 4

O



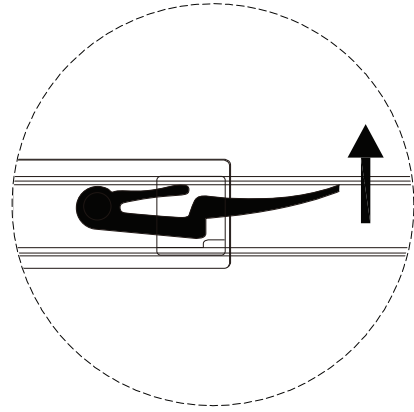
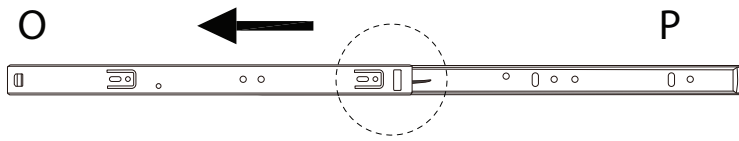
x 4

P

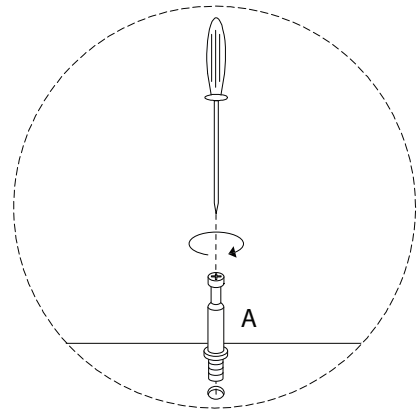
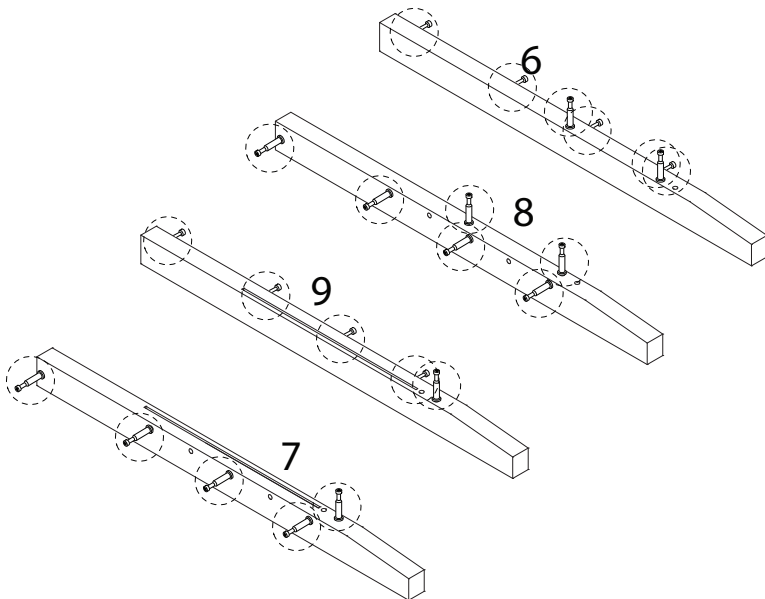
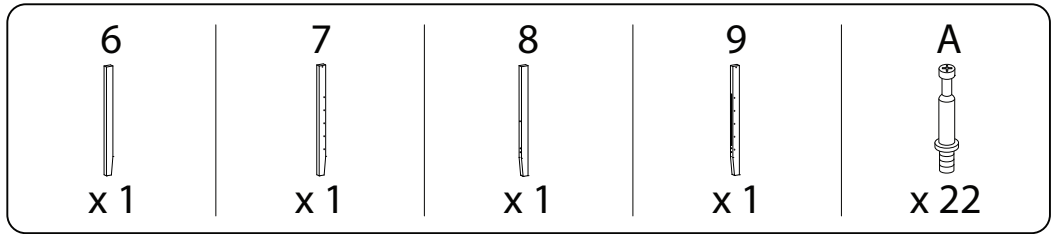


x 4

!



1



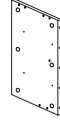
2

3



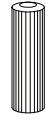
x1

4

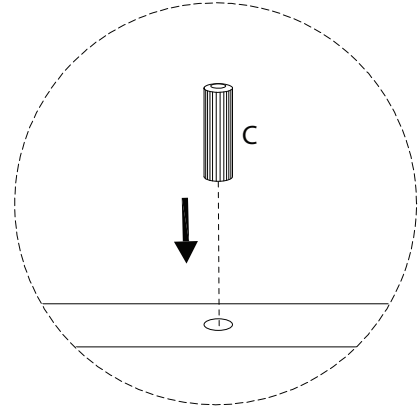
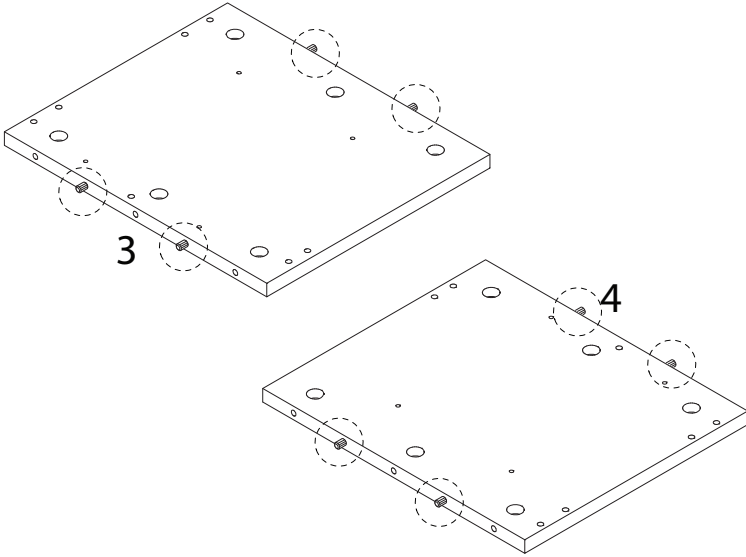


x1

C

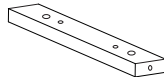


x8



3

5

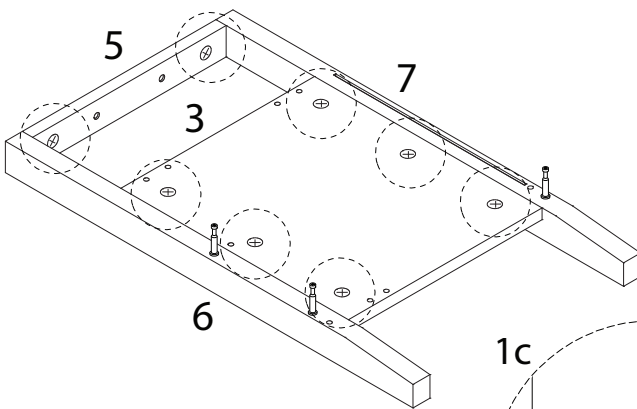


x1

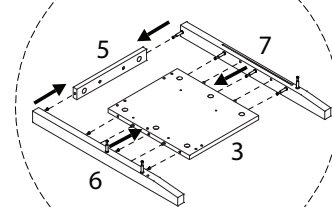
B



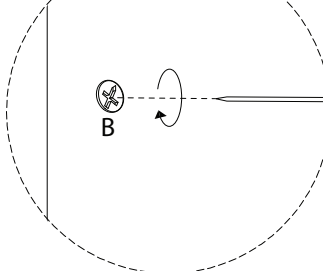
x8



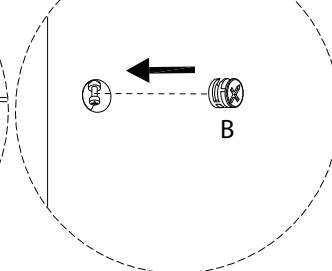
1a



1c

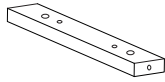


1b



4

5

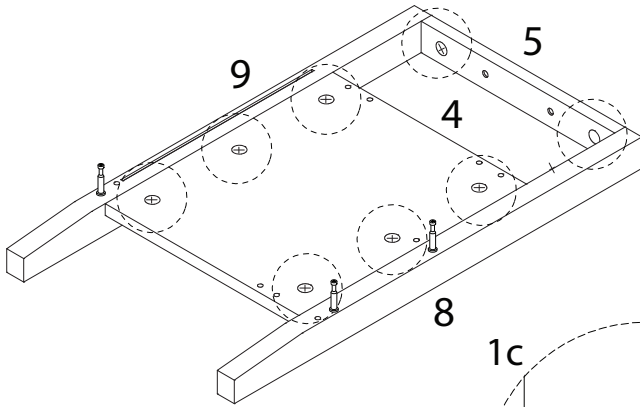


x 1

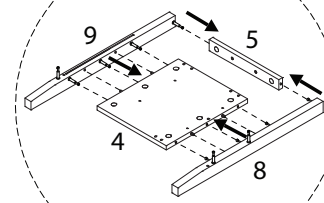
B



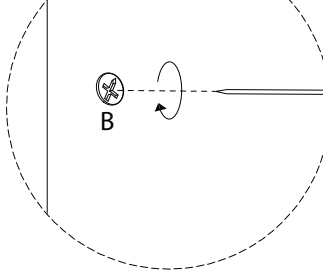
x 8



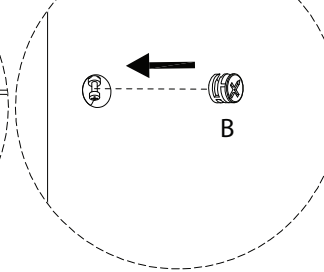
1a



1c



1b



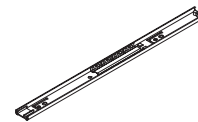
5

D

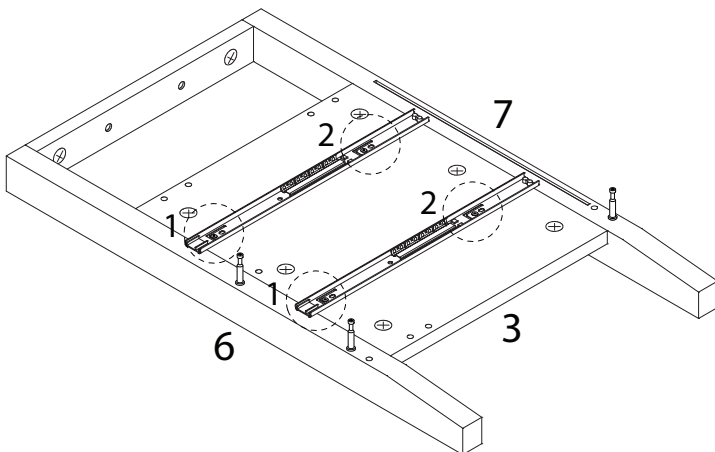


x 4

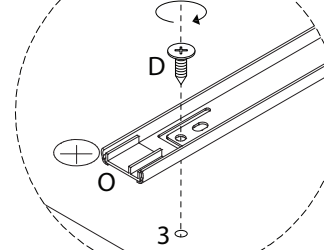
O



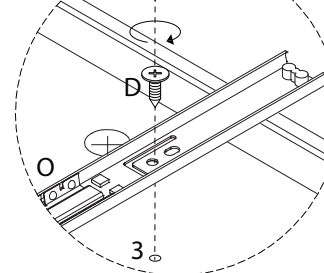
x 2



1

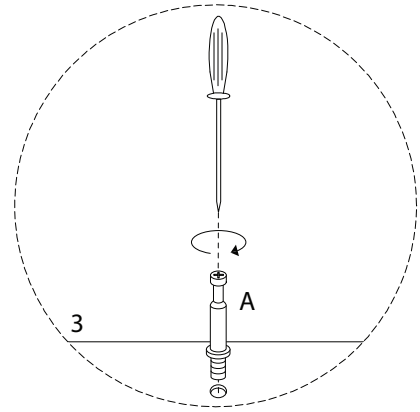
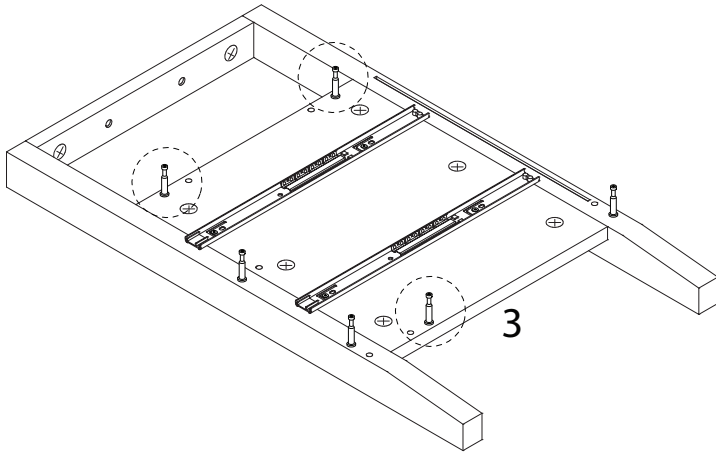
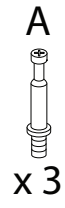


2

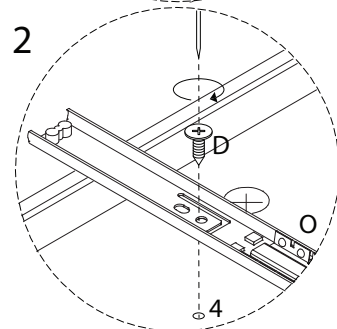
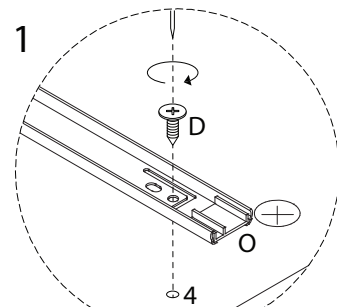
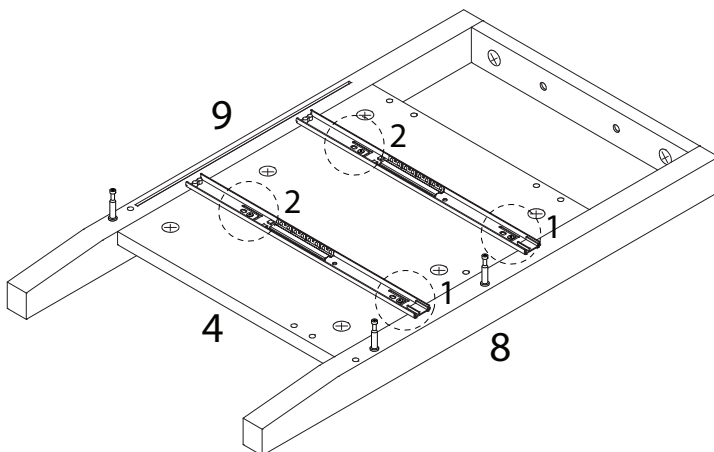
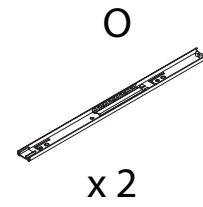
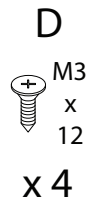




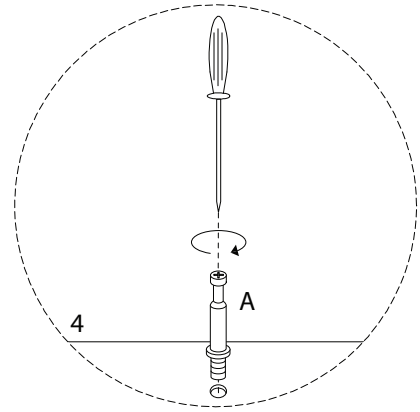
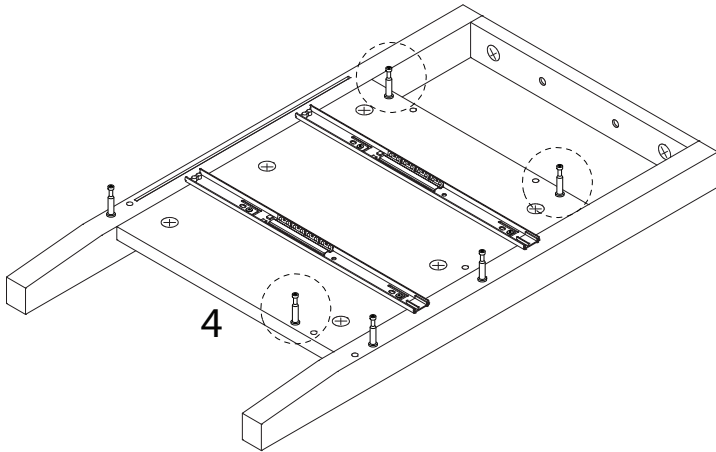
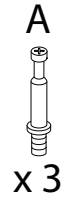
6



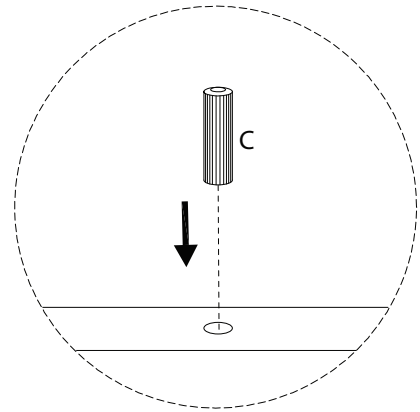
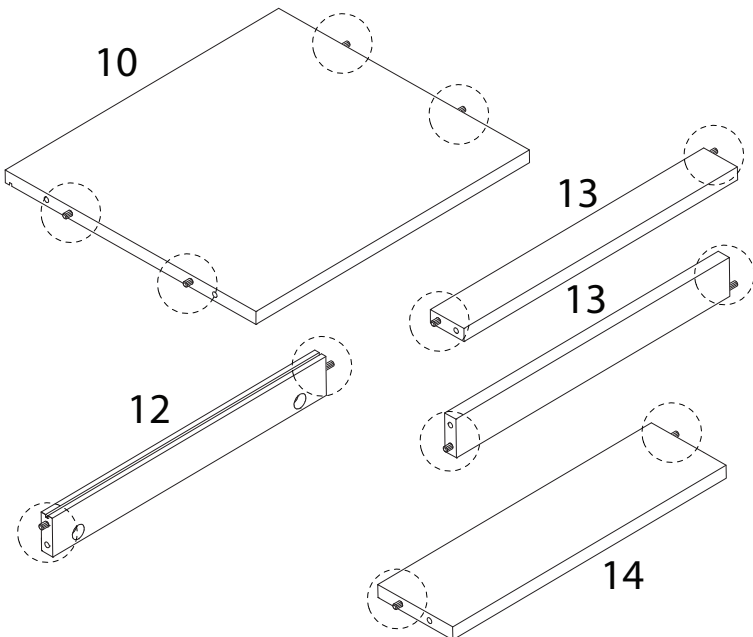
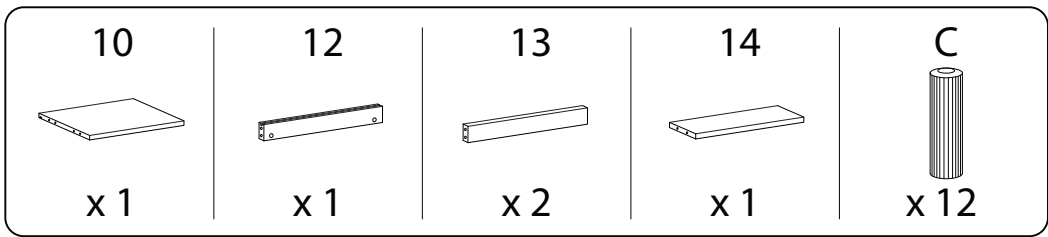
7



8



9

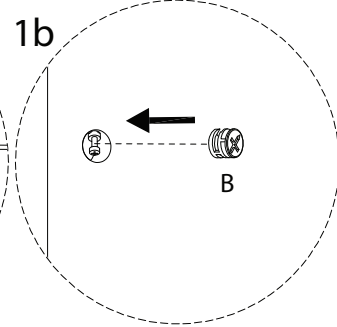
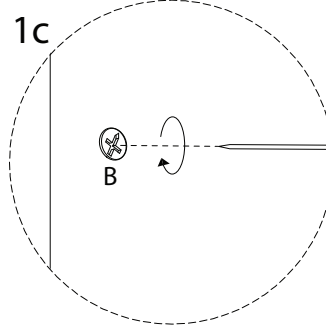
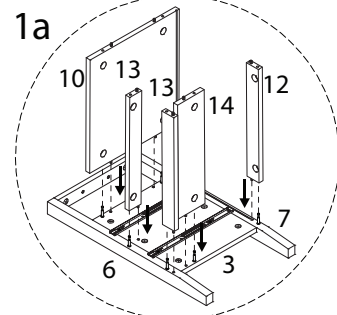
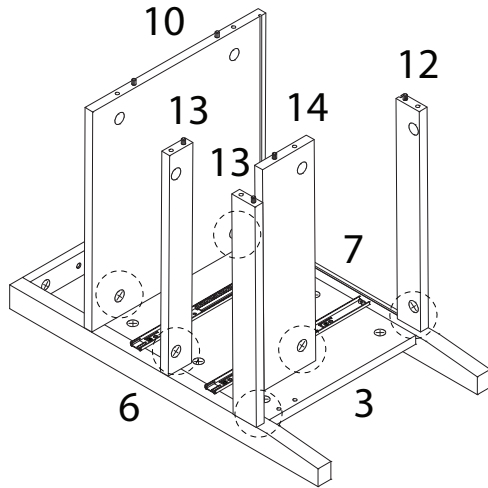


10

B



x 6

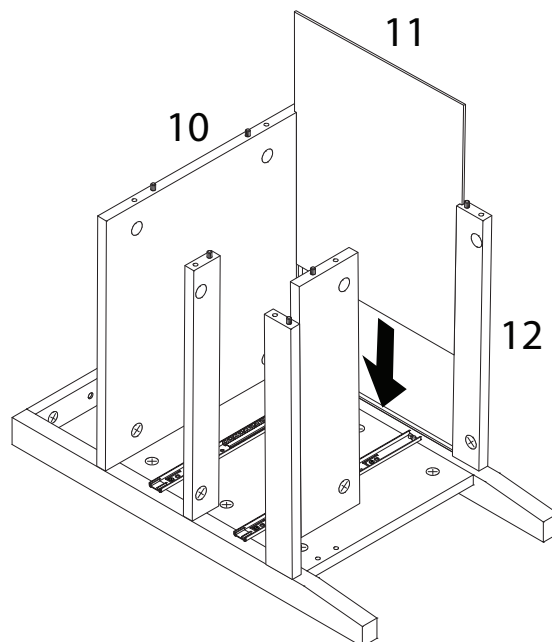


11

11



x 1

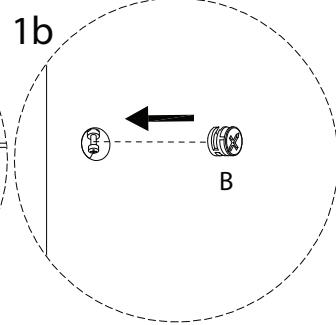
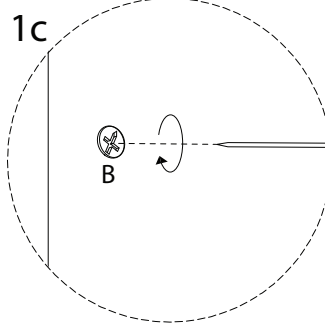
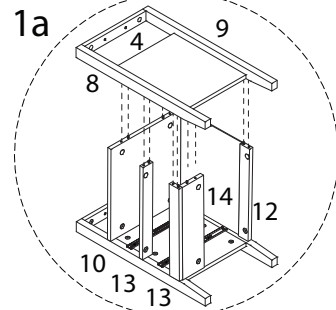
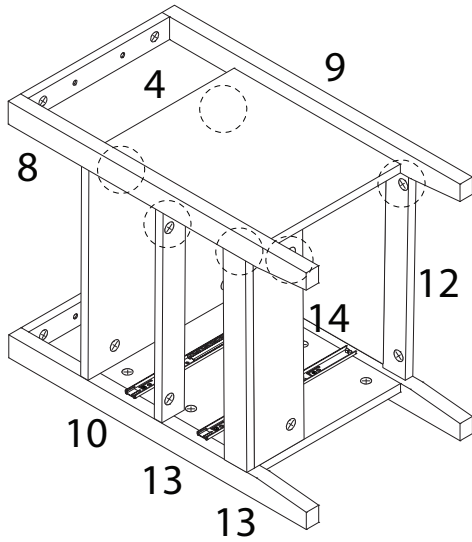


12

B



x 6

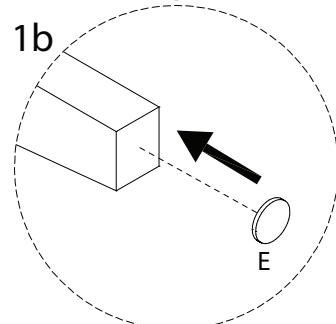
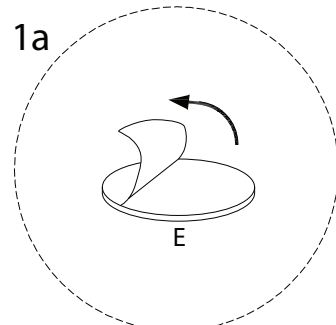
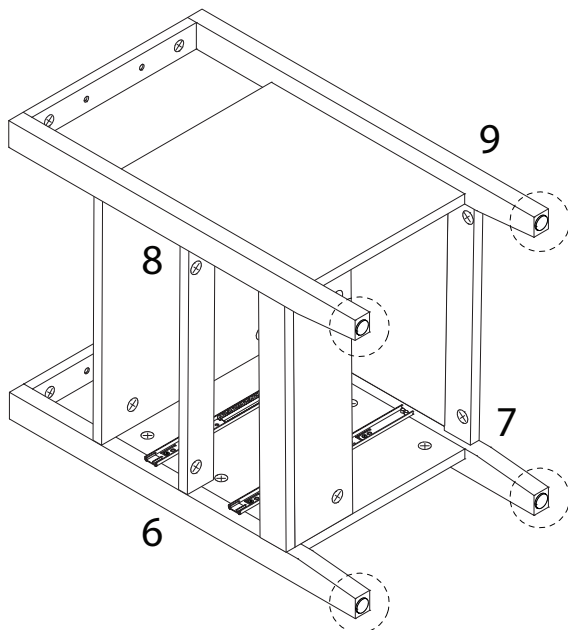


13

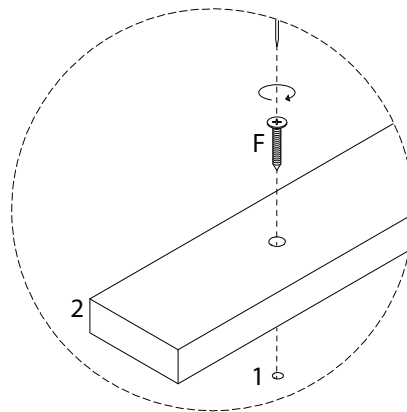
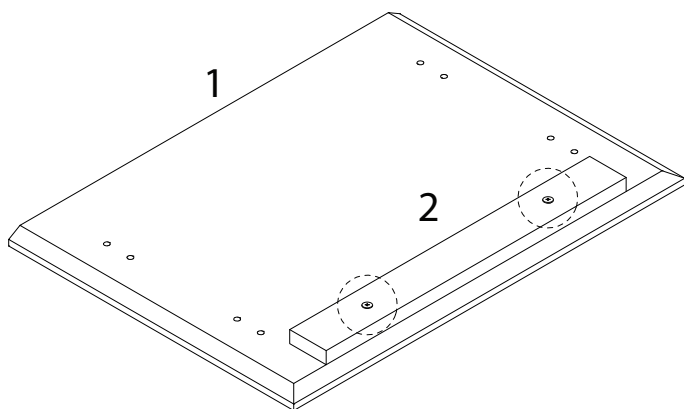
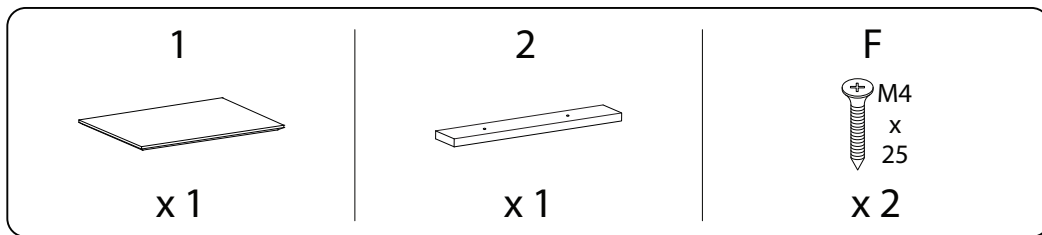
E



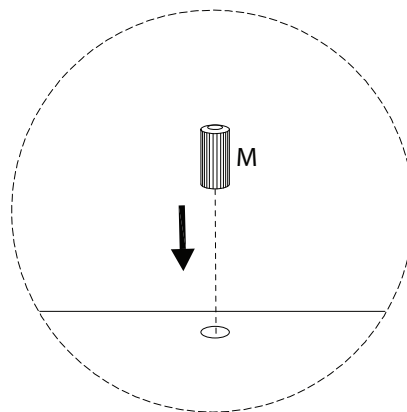
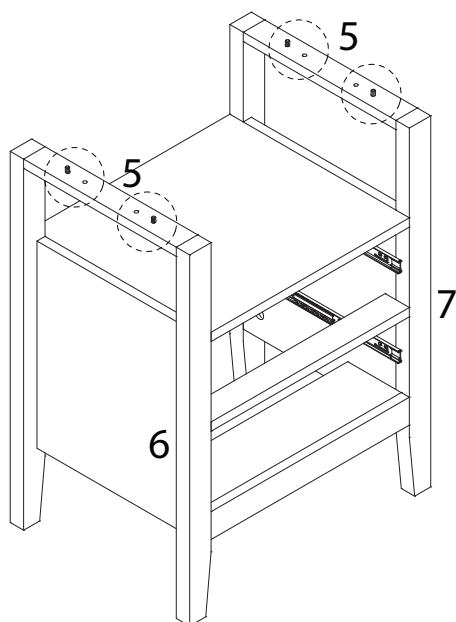
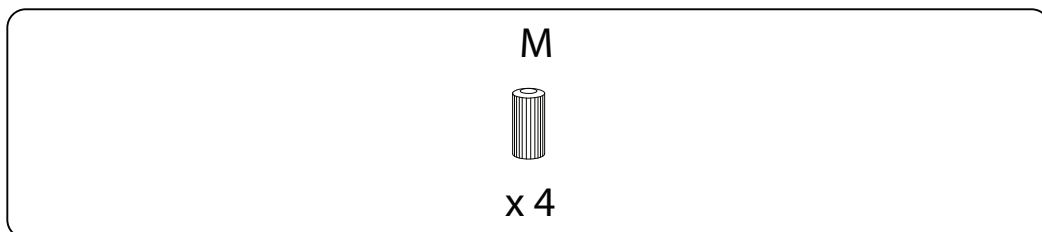
x 4



14

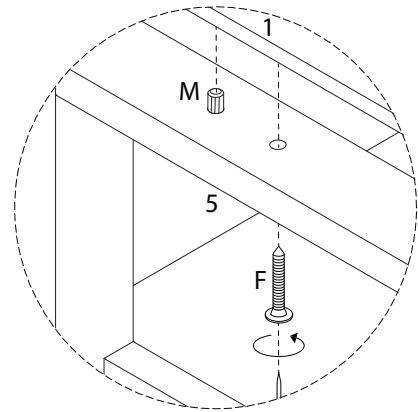
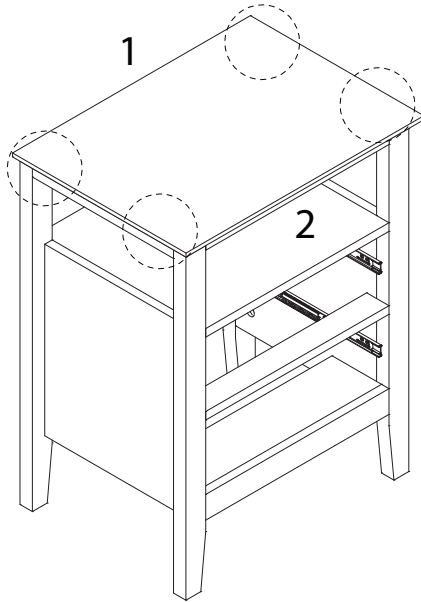


15

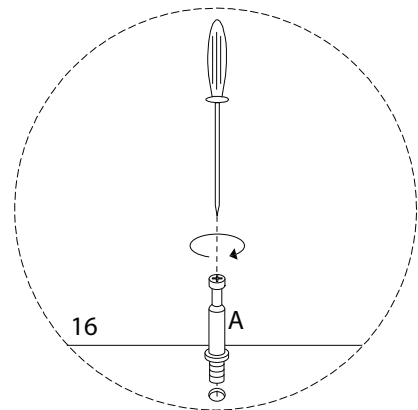
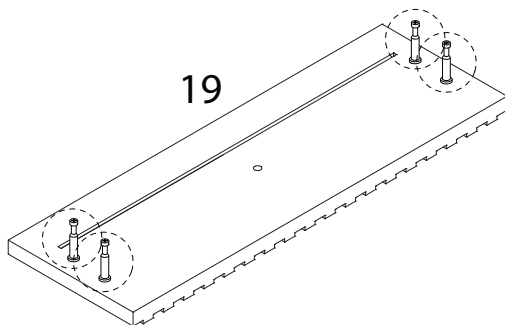
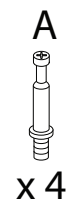
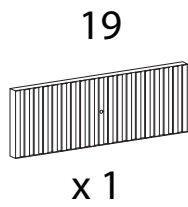


16

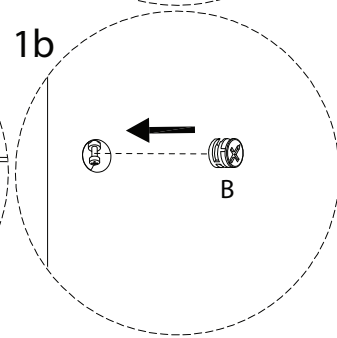
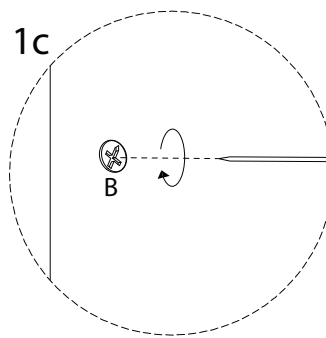
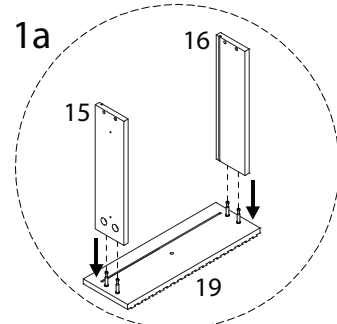
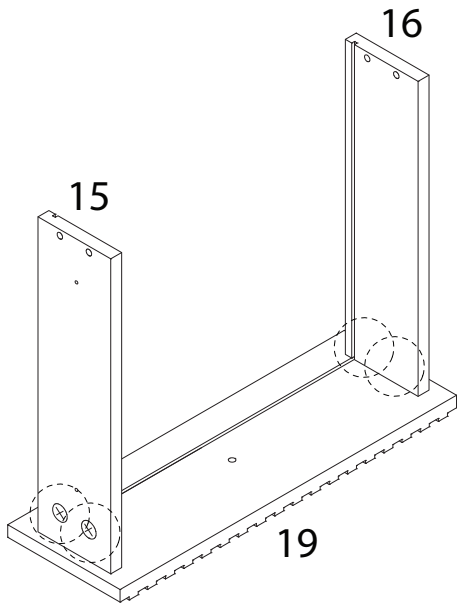
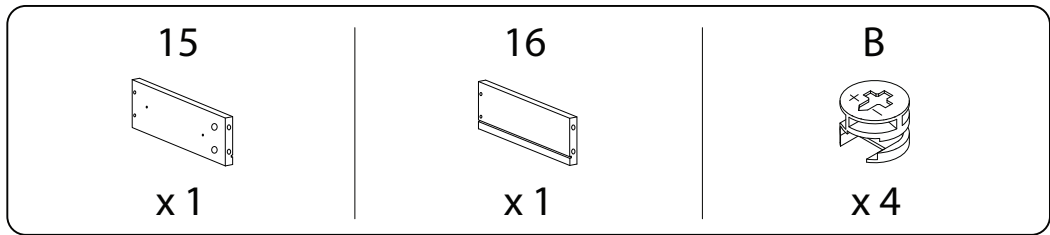
F  
M4  
x  
25  
x 4



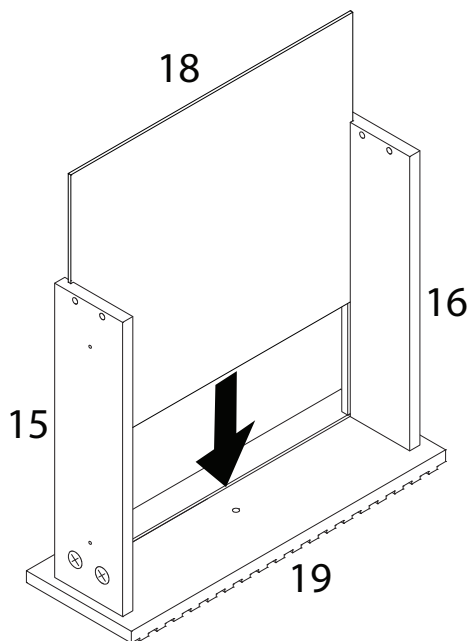
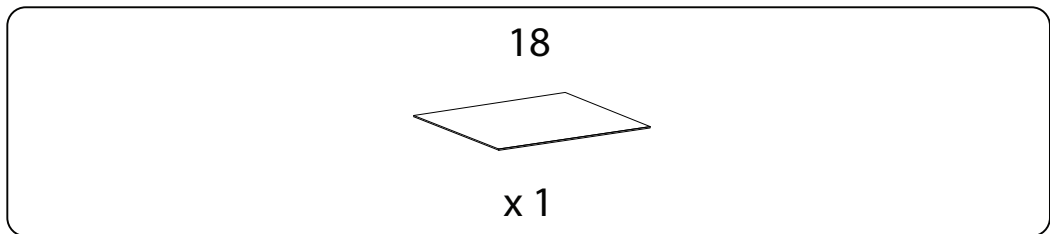
17 x 2



18 x 2

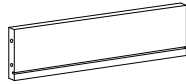


19 x 2



20 x 2

17

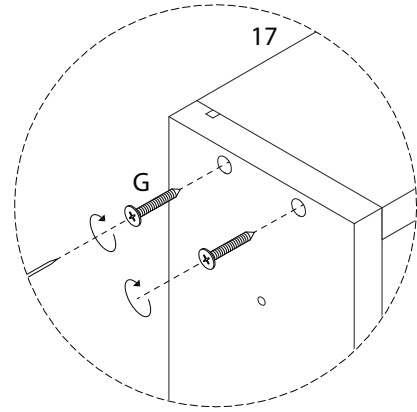
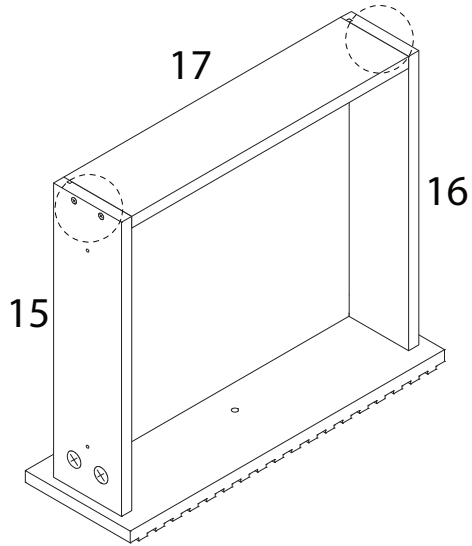


x 1

G



x 4



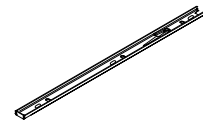
21 x 2

D

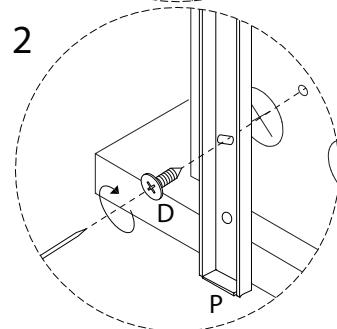
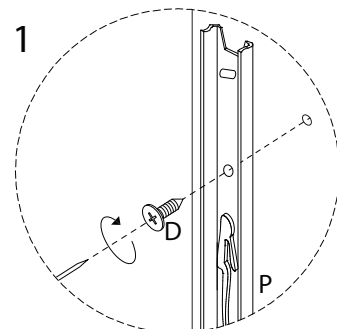
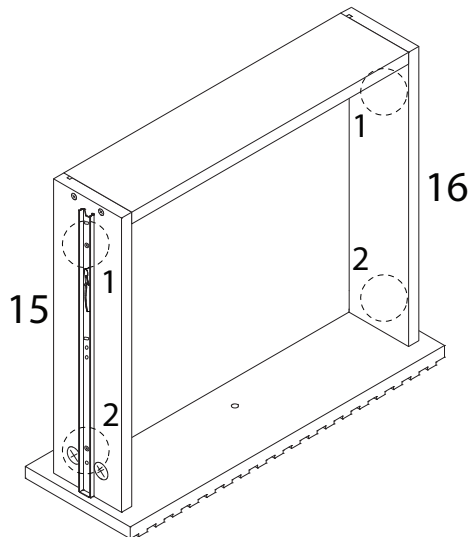


x 4

P



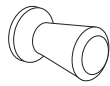
x 2





22 x 2

H

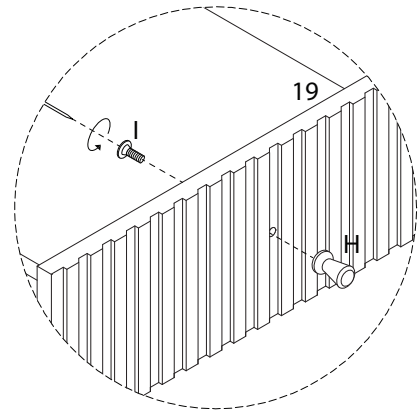
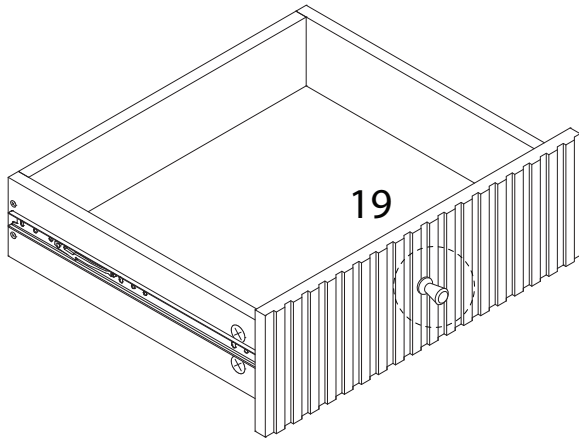


x 1

I



x 1



23

