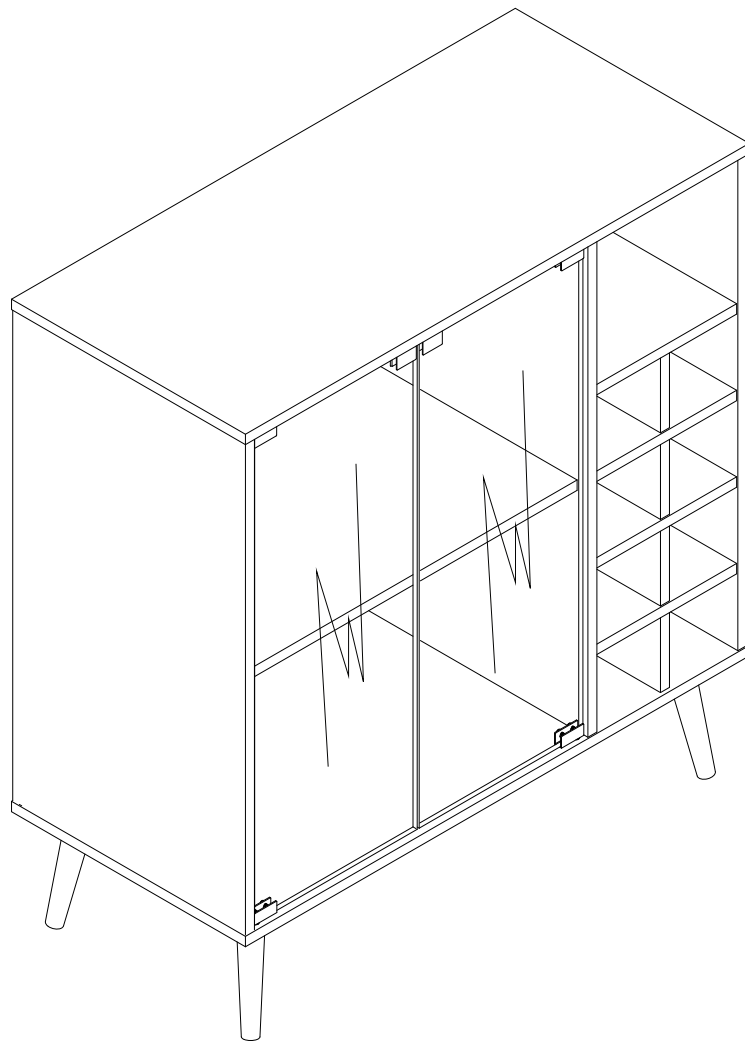
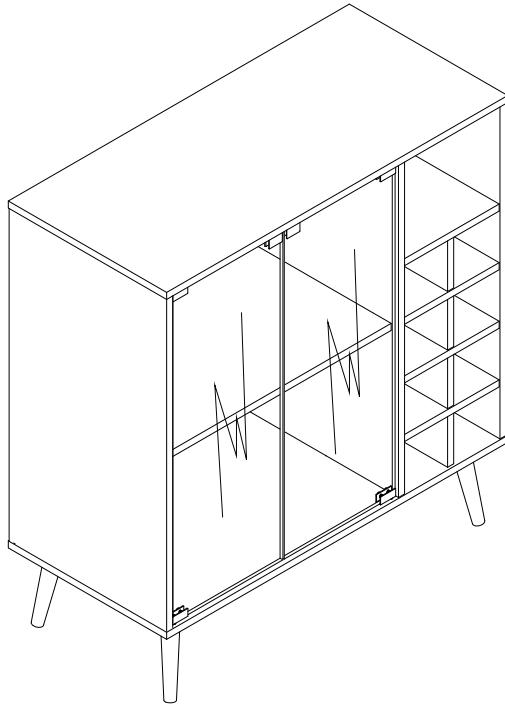


TULLAMORE





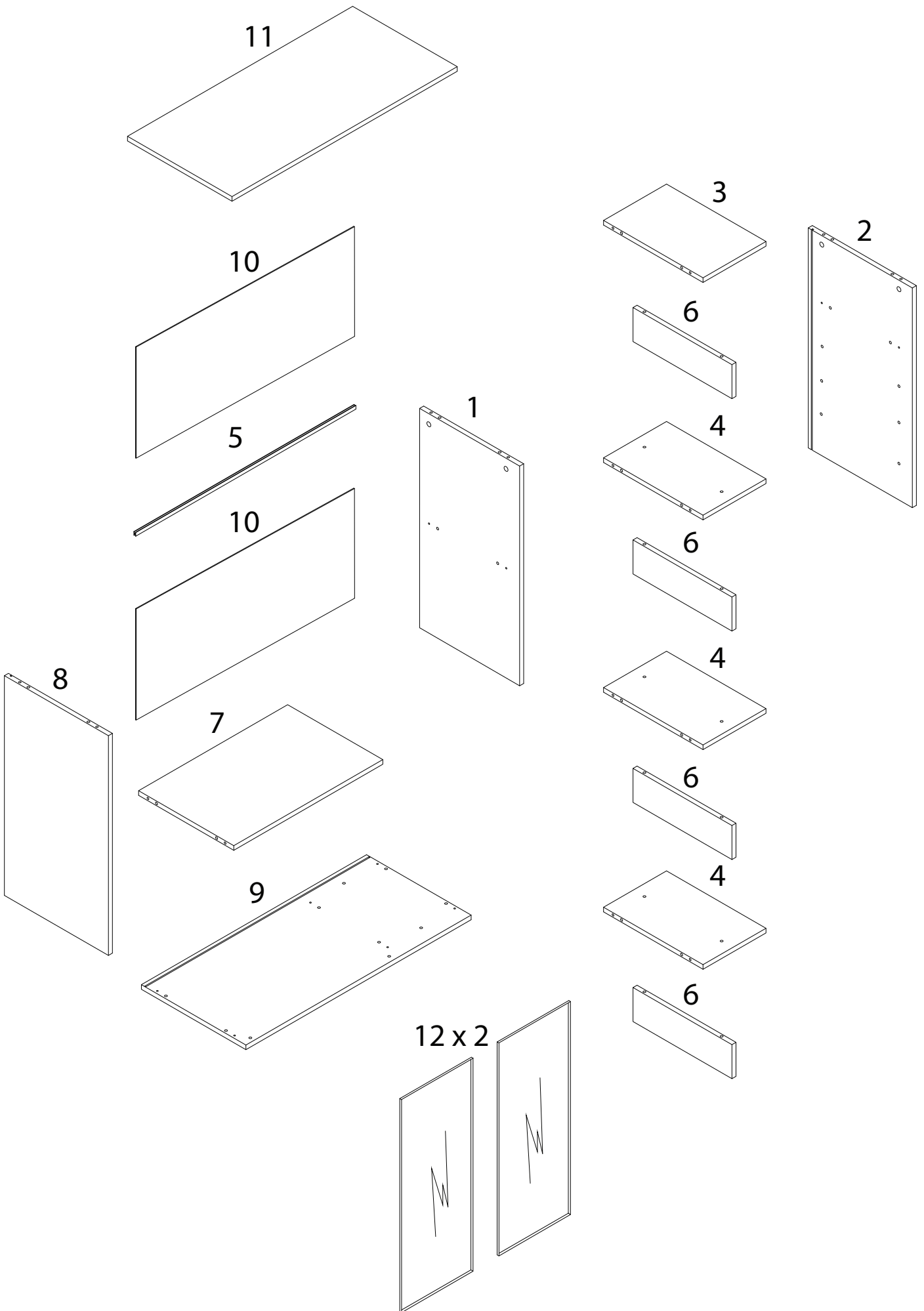
Assembly instructions for the cabinet, including tool requirements, time estimate, and safety warnings.

Tools: A screwdriver and a power drill are shown as required tools for assembly.

Time: The estimated assembly time is 60 minutes, indicated by a clock icon.

Safety: Two warning triangles with exclamation marks are present. The first warning is associated with the tools, and the second is associated with the assembly process.

Personnel: Two people are required for assembly, indicated by a person icon and the number 2.

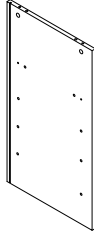


1



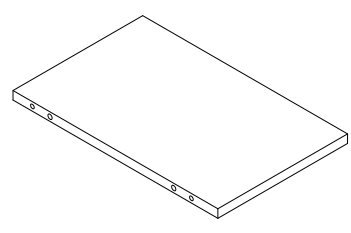
x 1

2



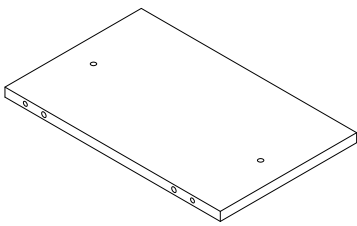
x 1

3



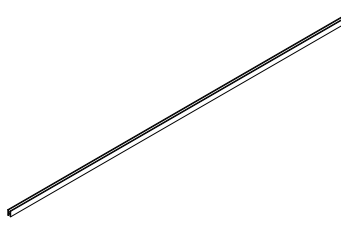
x 1

4



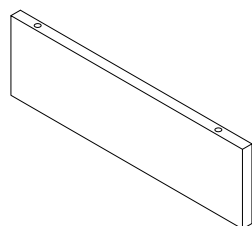
x 3

5



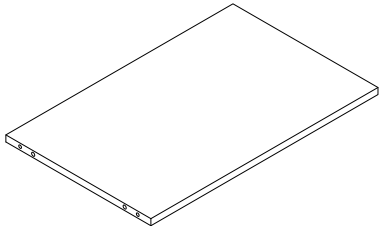
x 1

6



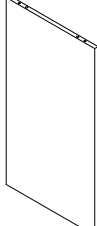
x 4

7



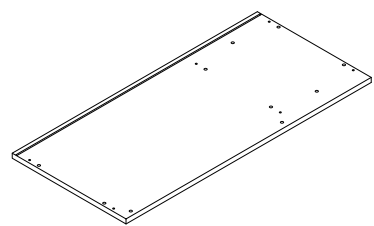
x 1

8



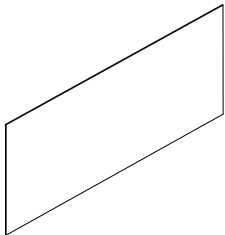
x 1

9



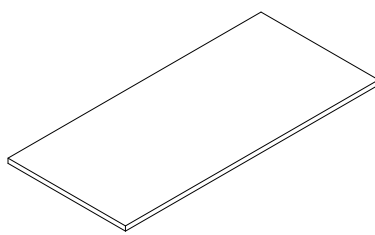
x 1

10



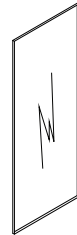
x 2

11



x 1

12



x 2

A



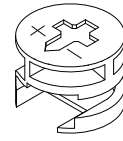
x 12

B



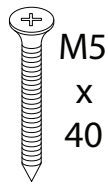
x 14

C



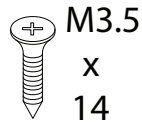
x 6

D



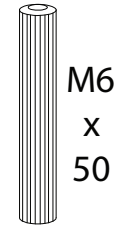
x 6

E



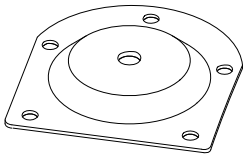
x 12

F



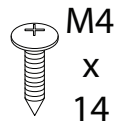
x 6

G



x 4

H



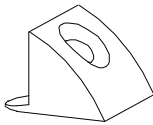
x 20

I



x 4

J1



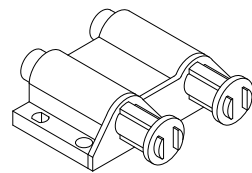
x 8

J2



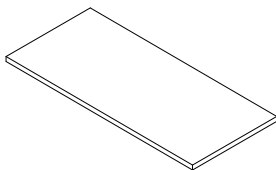
x 8

K



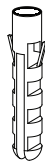
x 1

L



x 4

M1



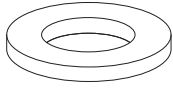
x 2

M2



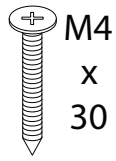
x 2

M3



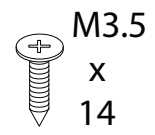
x 4

M4



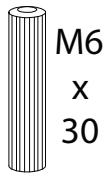
x 2

M5



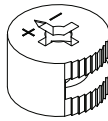
x 2

N



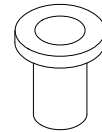
x 24

O



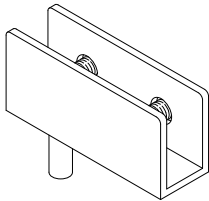
x 8

P1



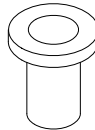
x 2

P2



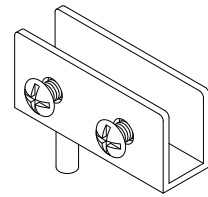
x 2

Q1



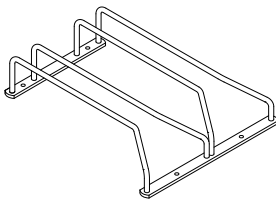
x 2

Q2



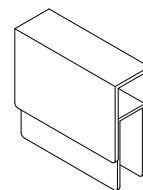
x 2

R



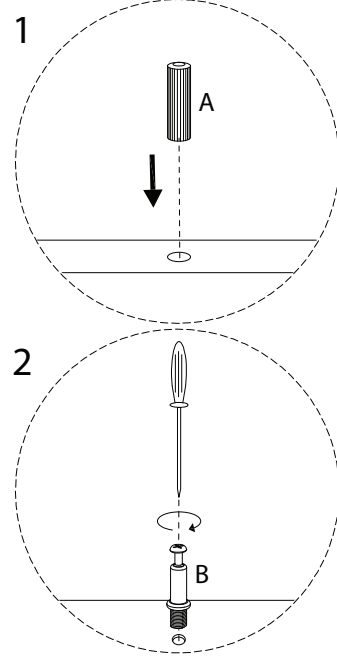
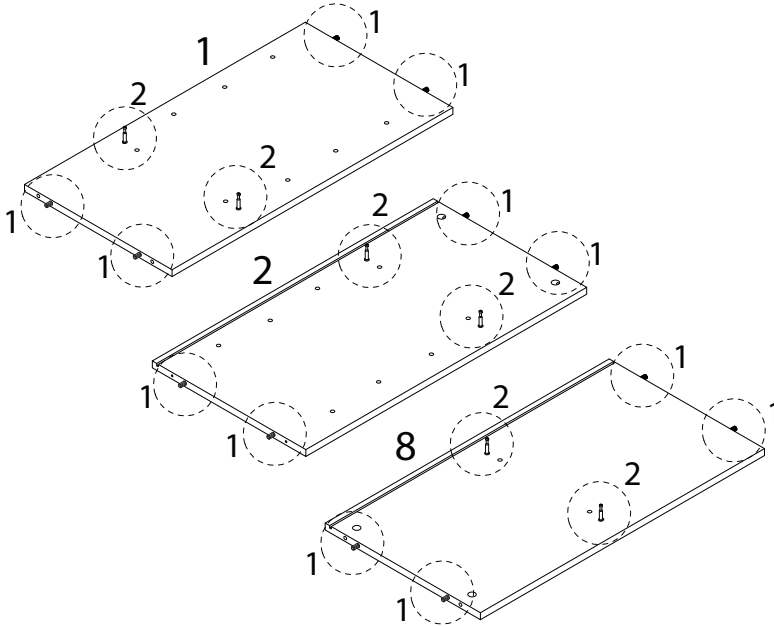
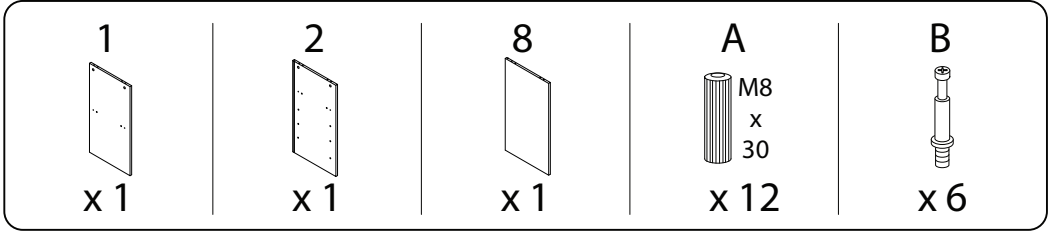
x 2

S

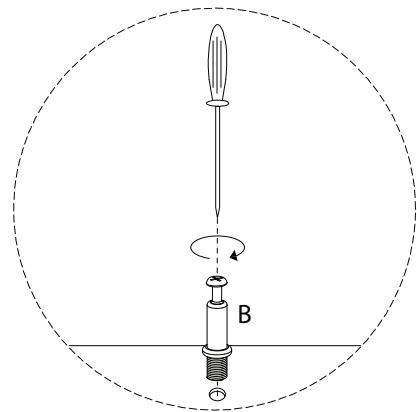
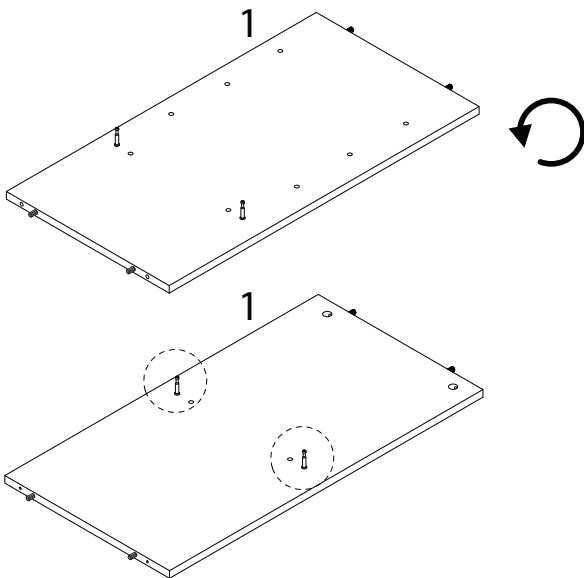
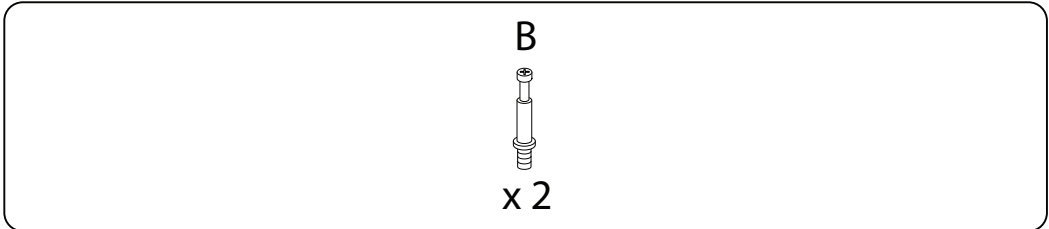


x 2

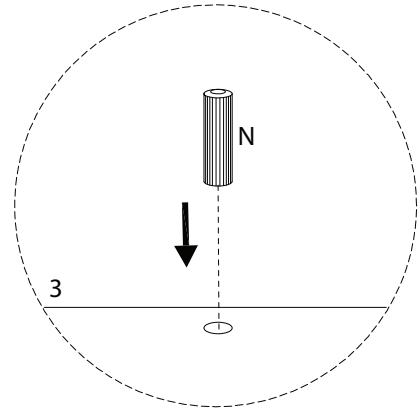
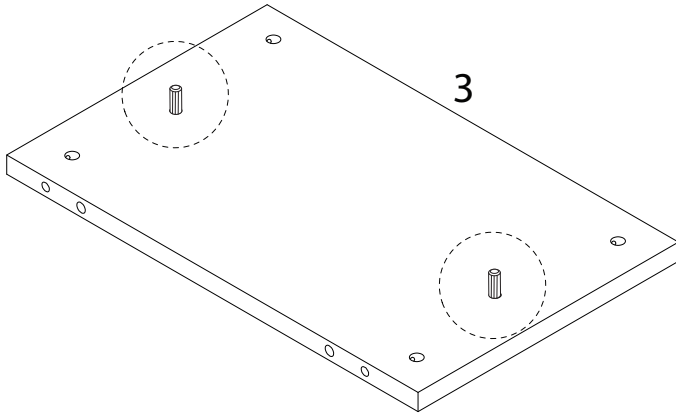
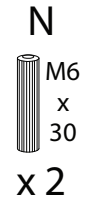
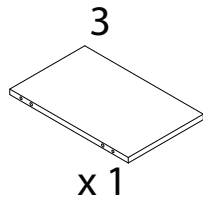
1



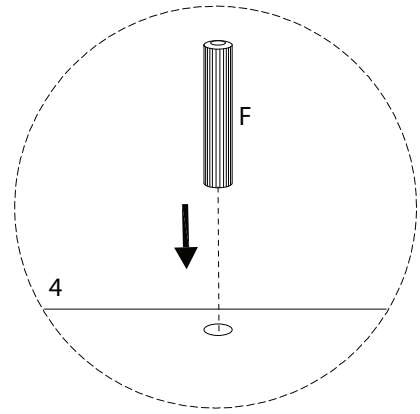
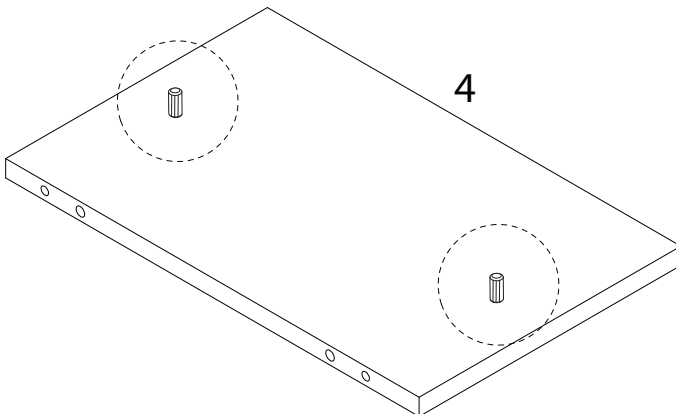
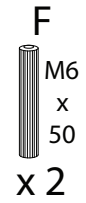
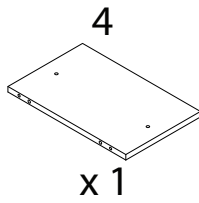
2



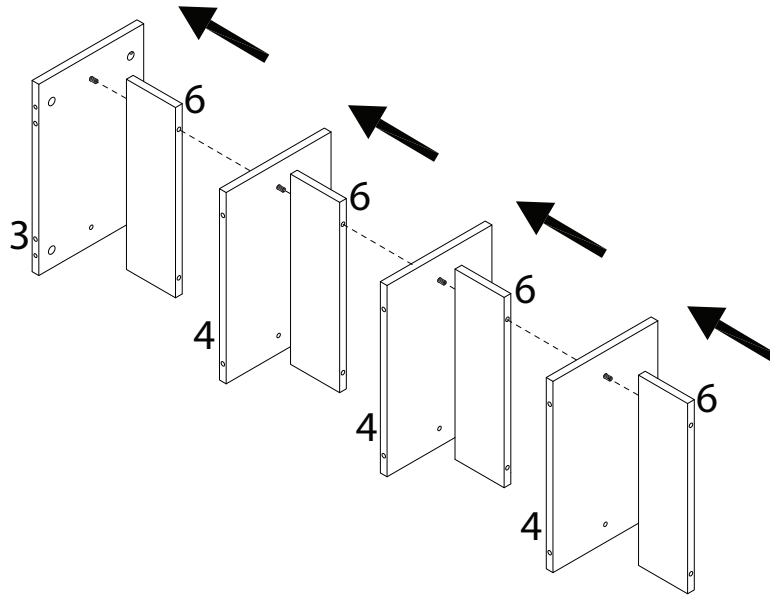
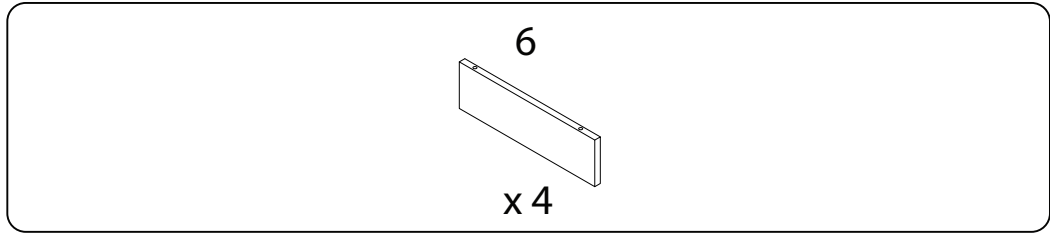
3



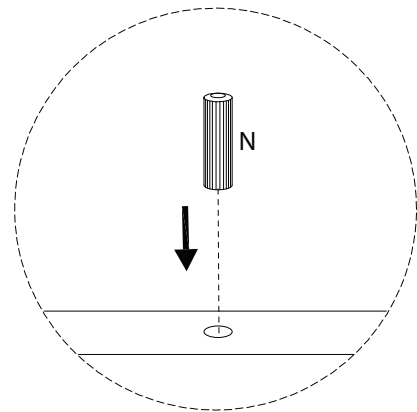
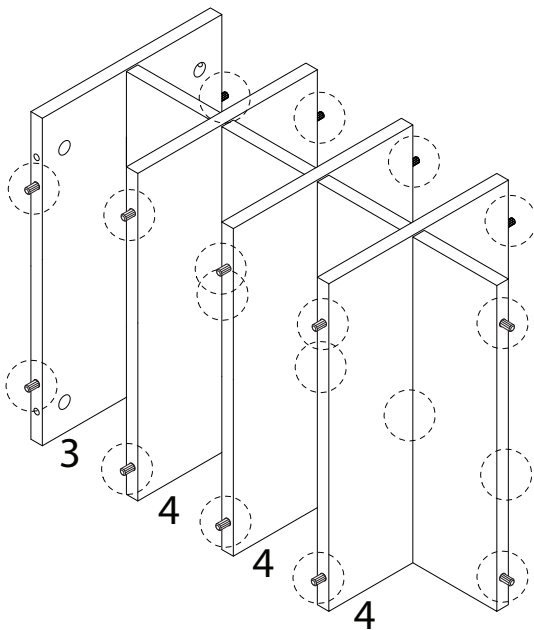
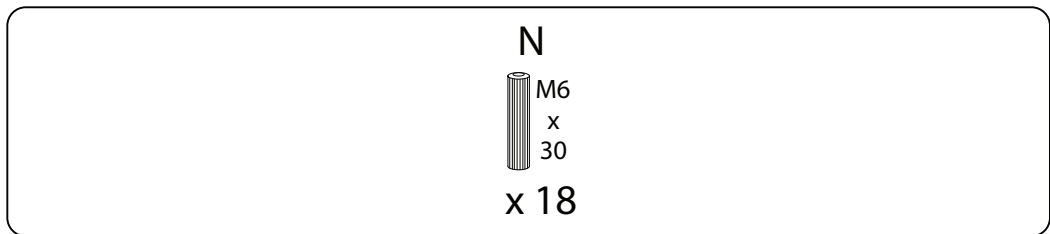
4 x 3



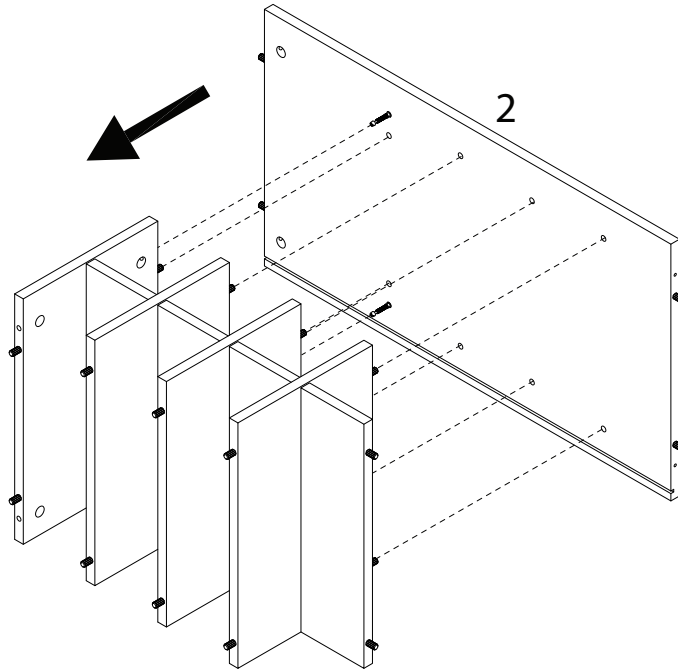
5



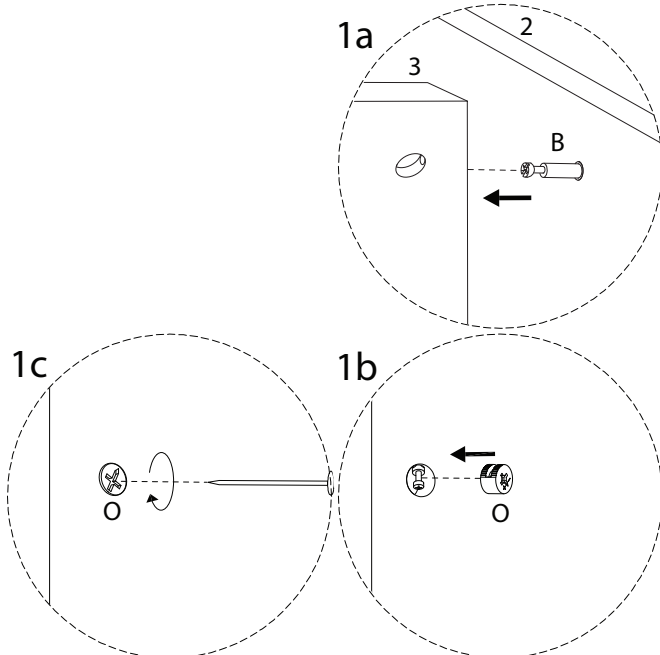
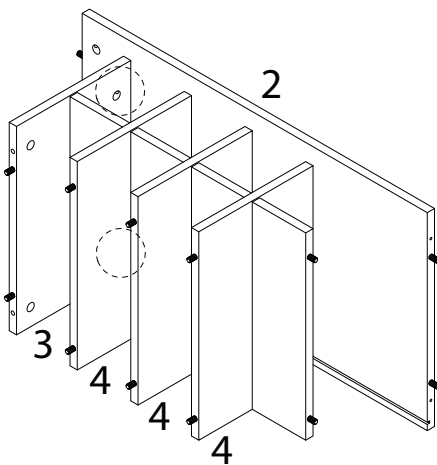
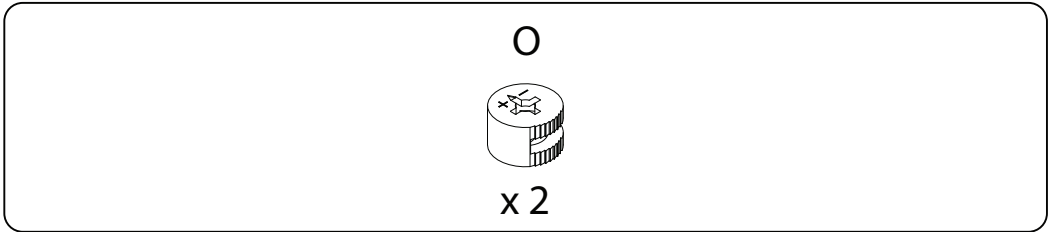
6



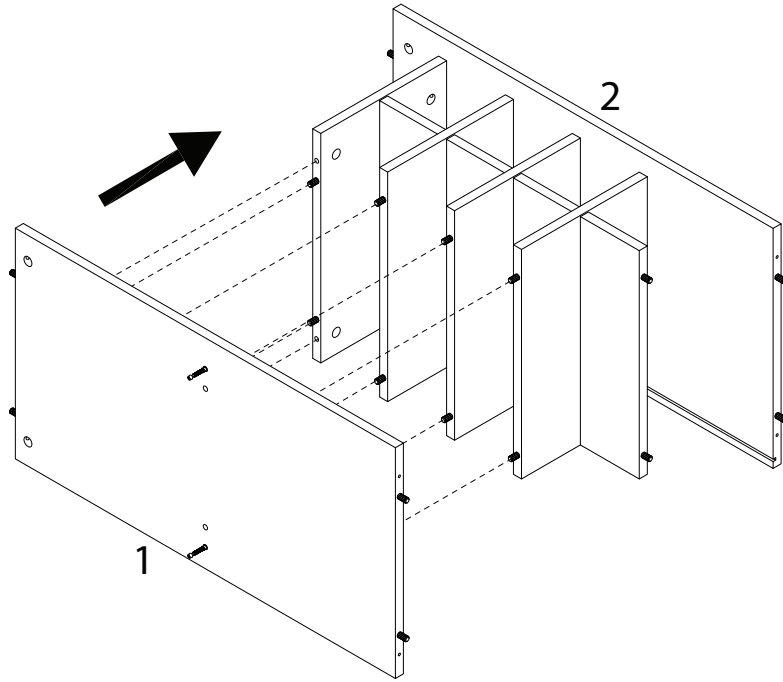
7



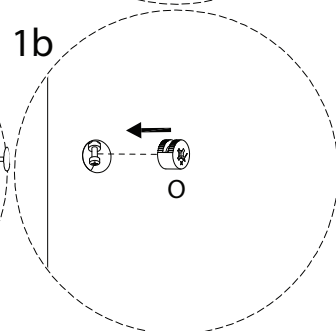
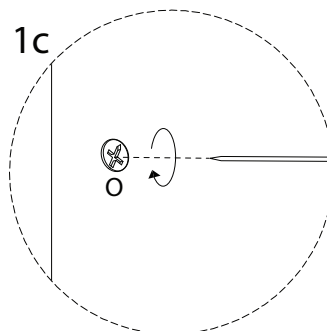
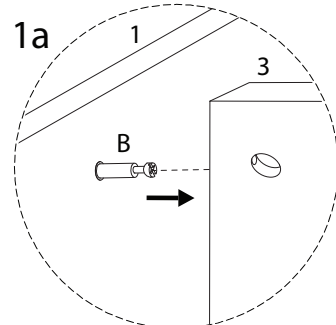
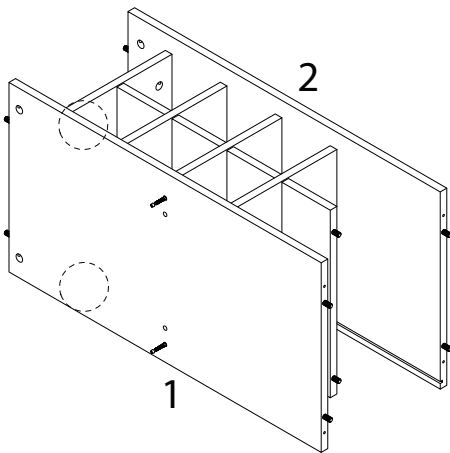
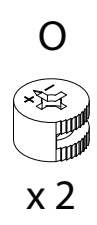
8



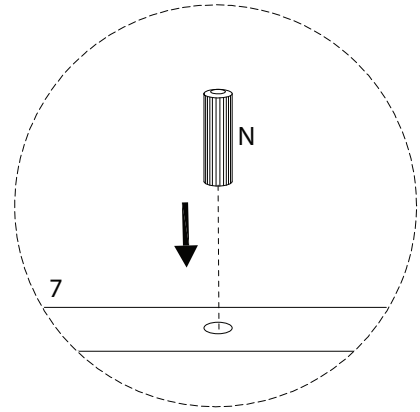
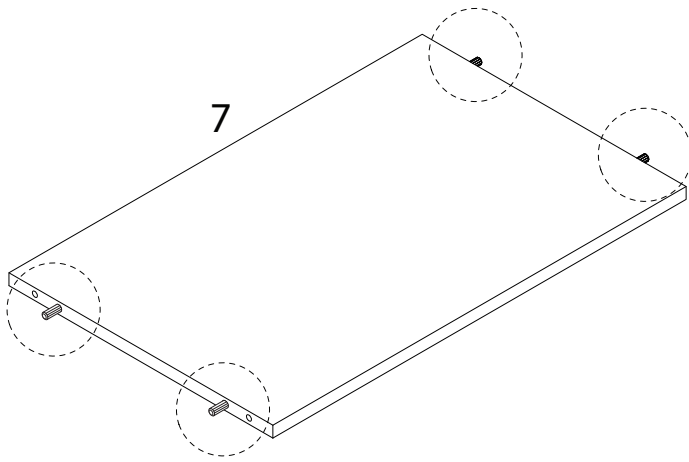
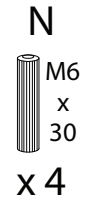
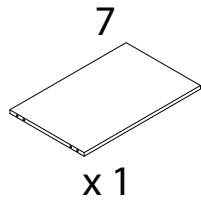
9



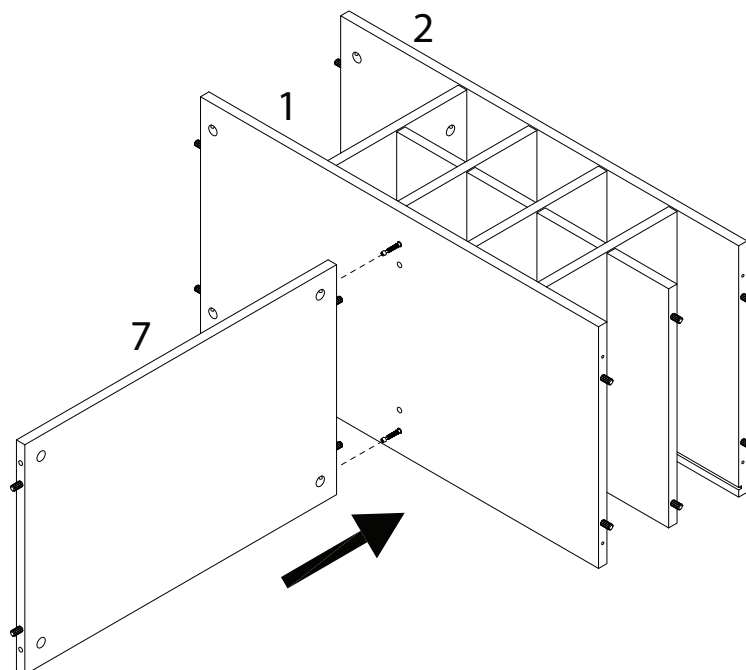
10



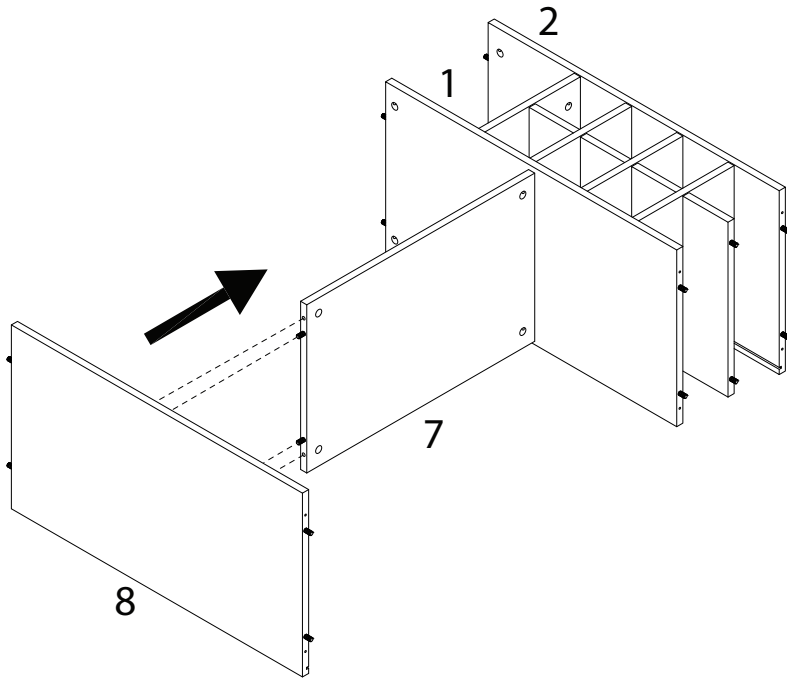
11



12



13

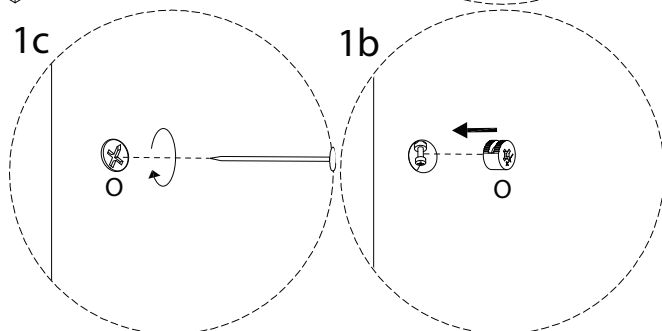
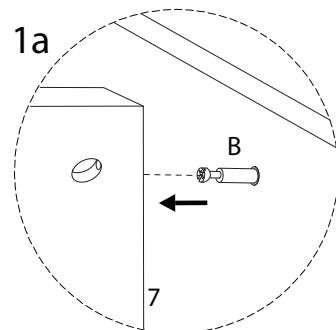
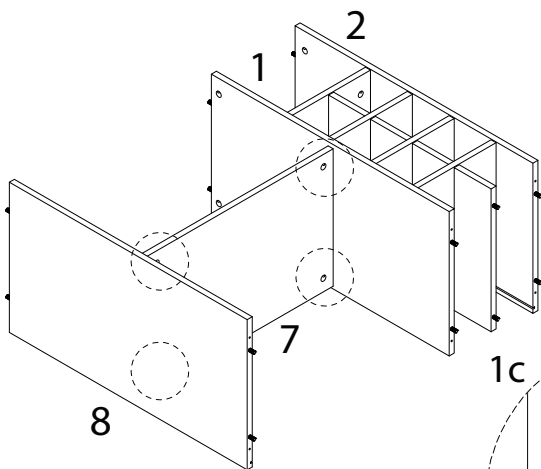


14

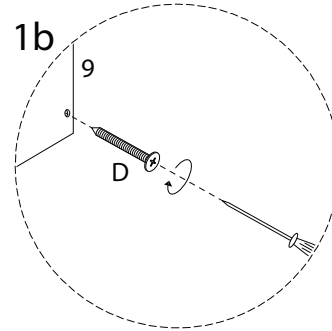
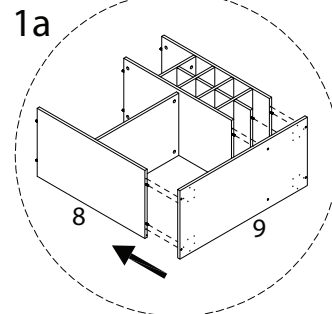
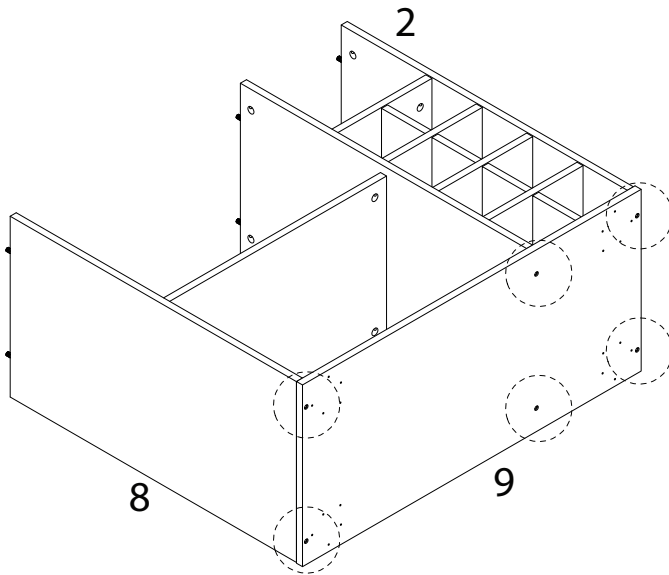
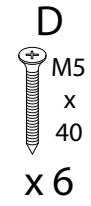
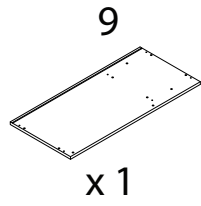
O



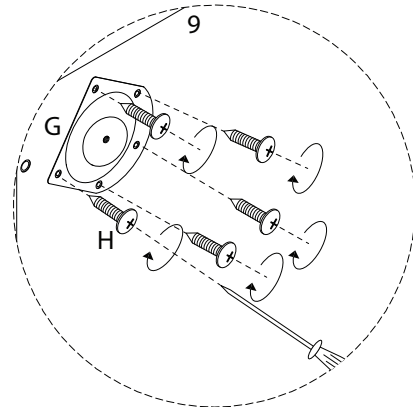
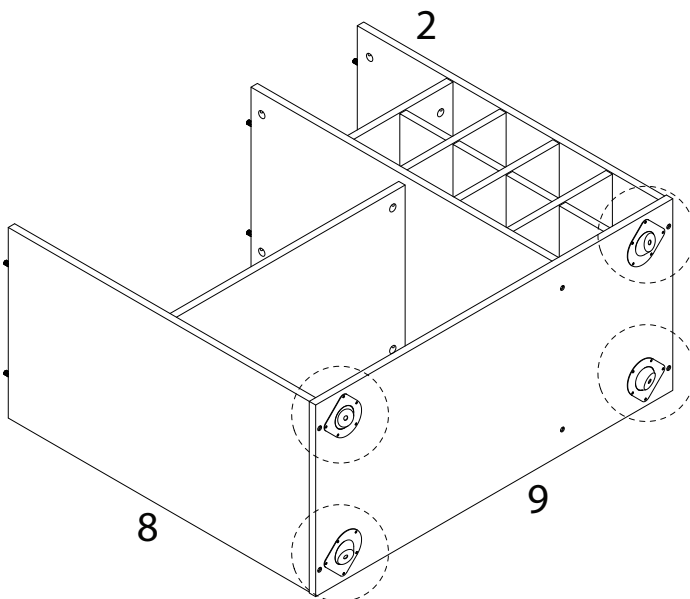
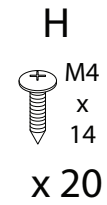
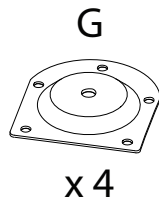
x 4



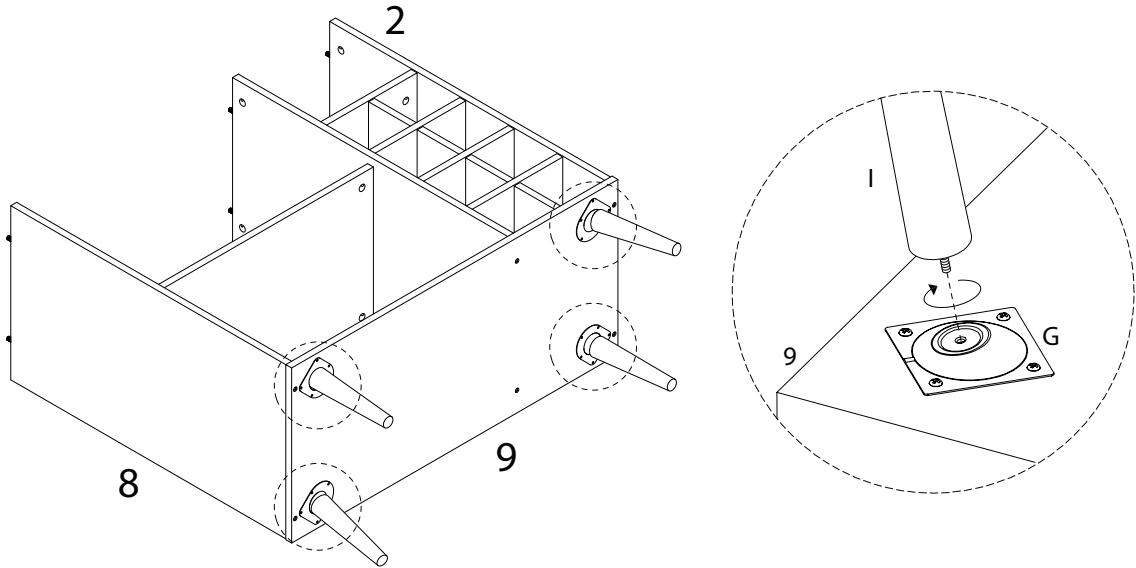
15



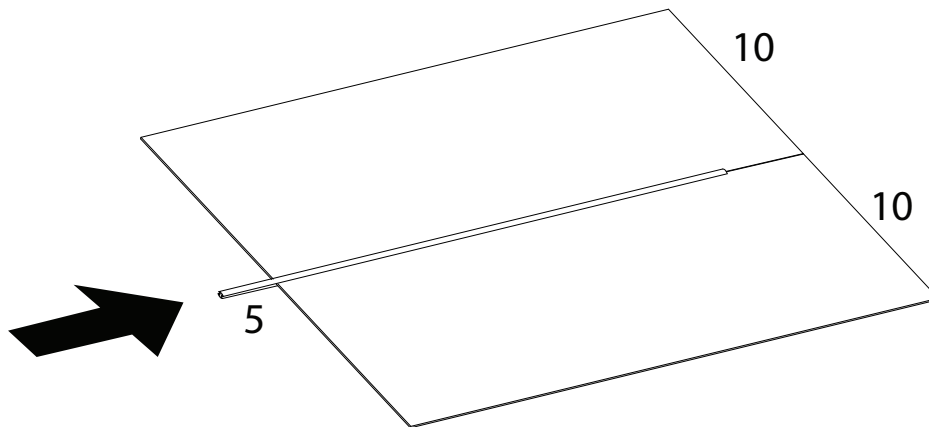
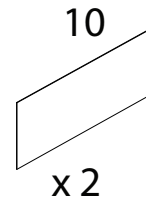
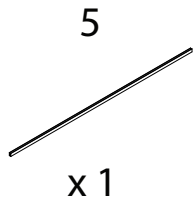
16



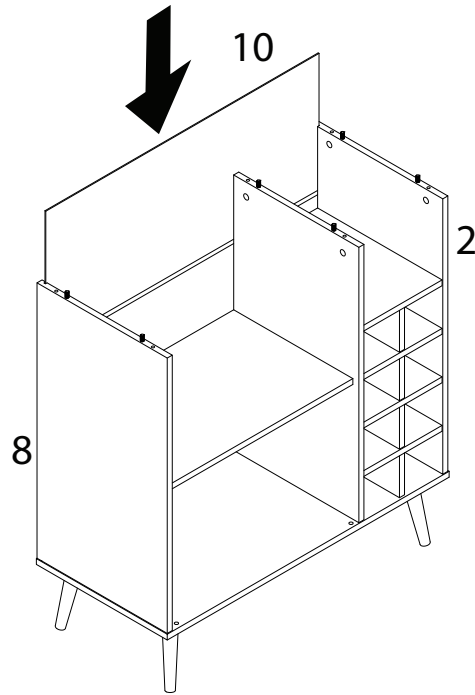
17



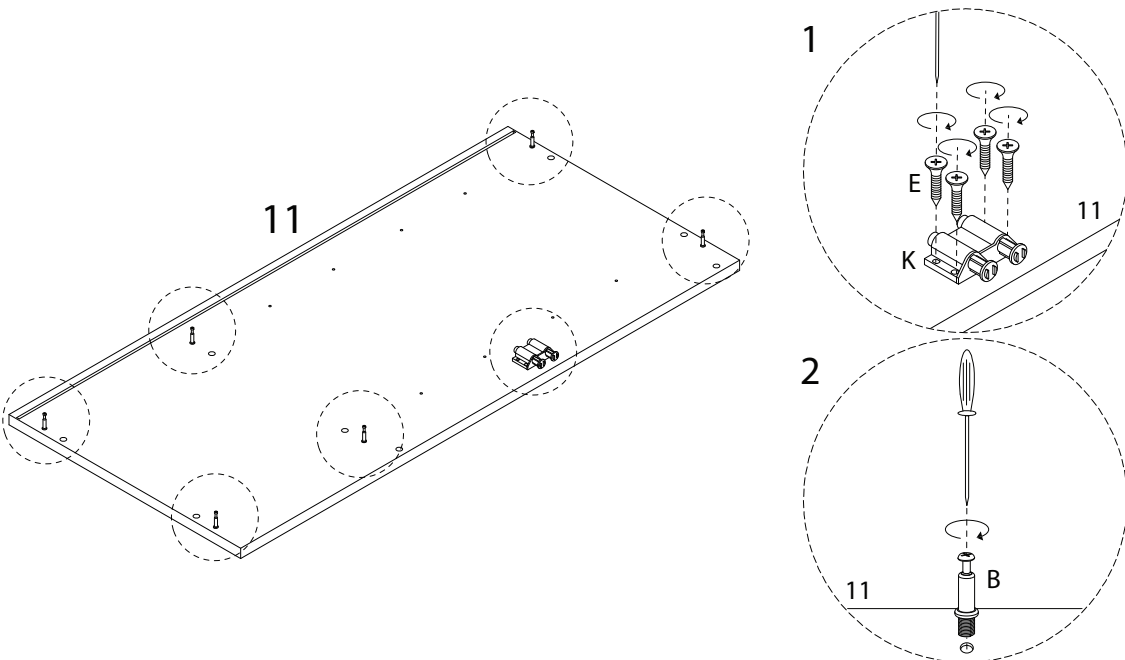
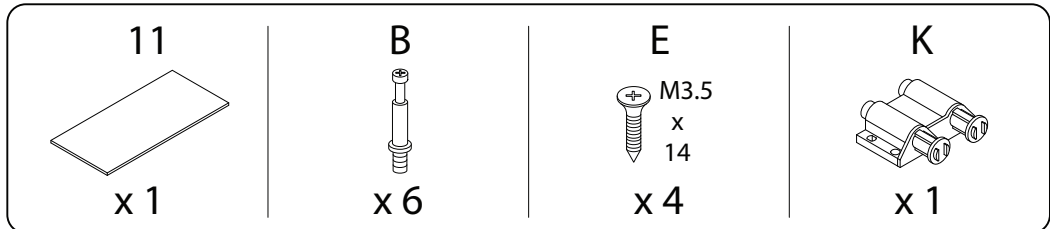
18



19



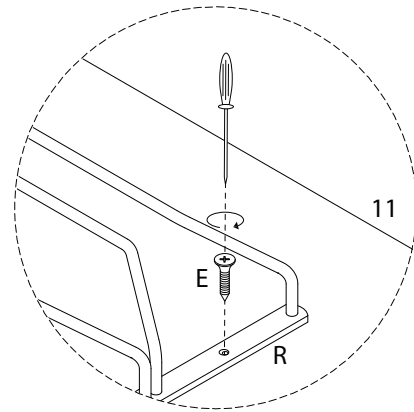
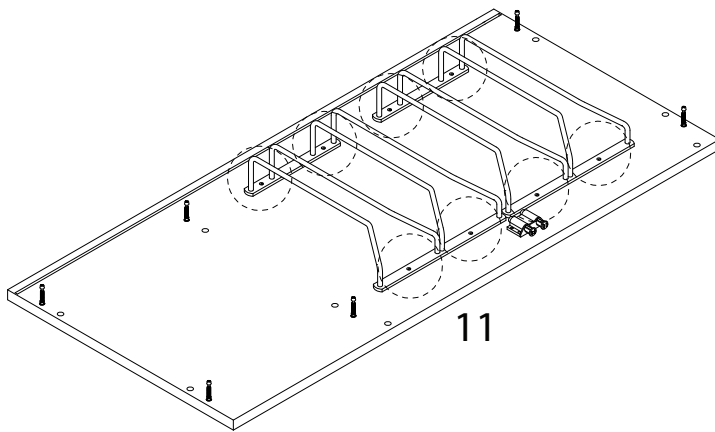
20



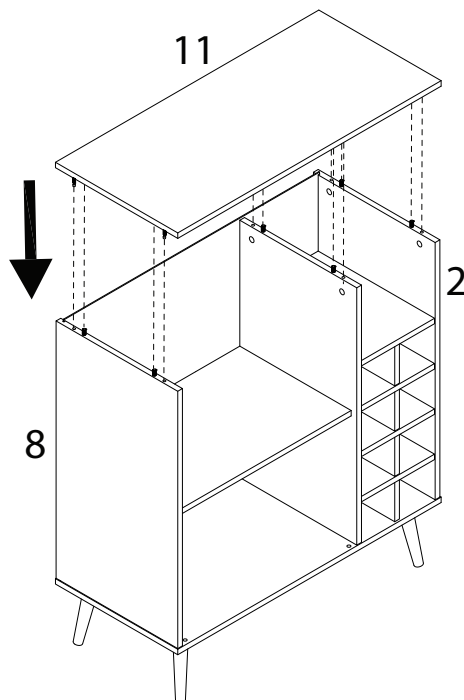
21

E
M3.5
x
14
x 8

R
x 2



22

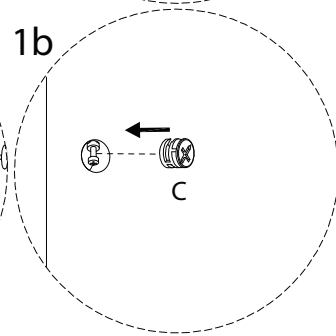
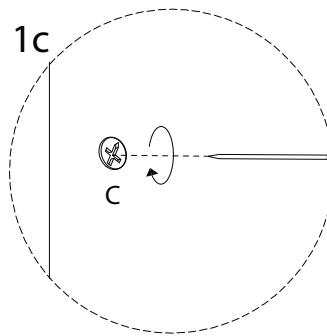
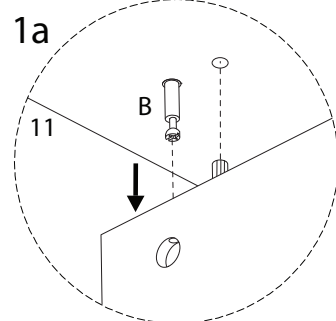
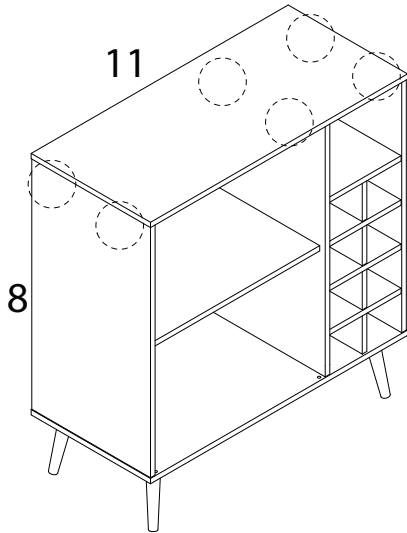


23

C



x 6



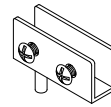
24

Q1

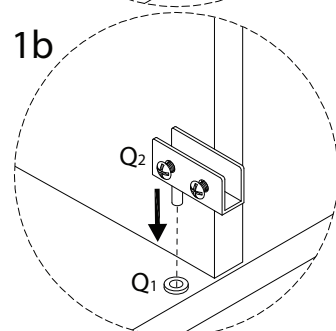
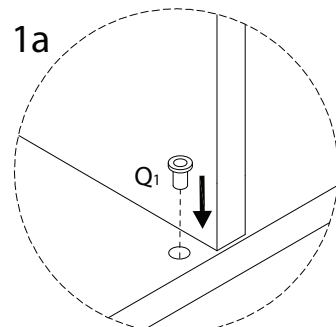
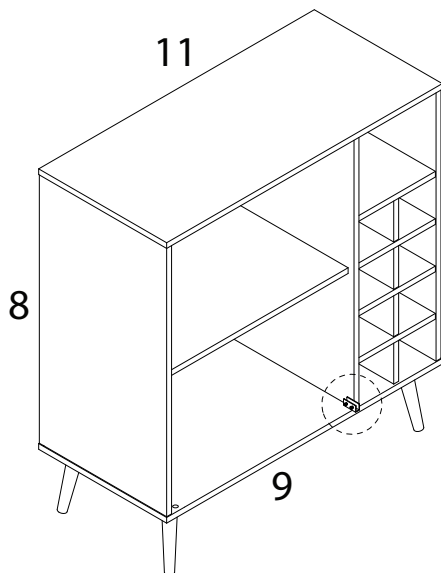


x 1

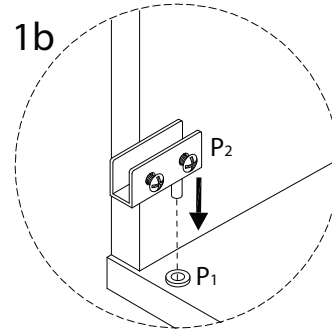
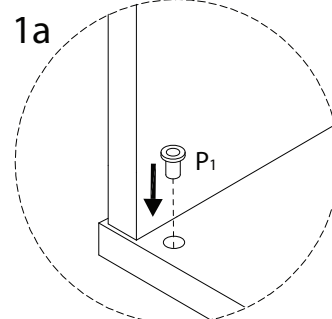
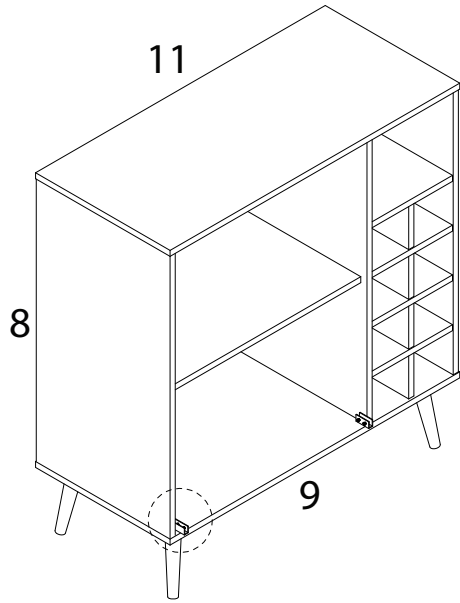
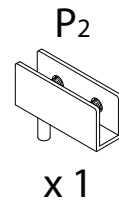
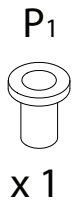
Q2



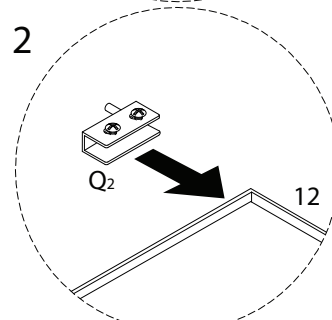
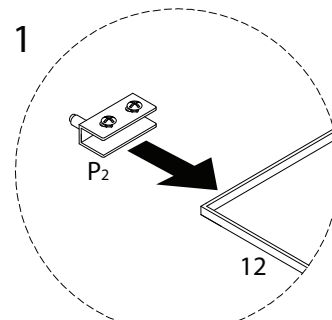
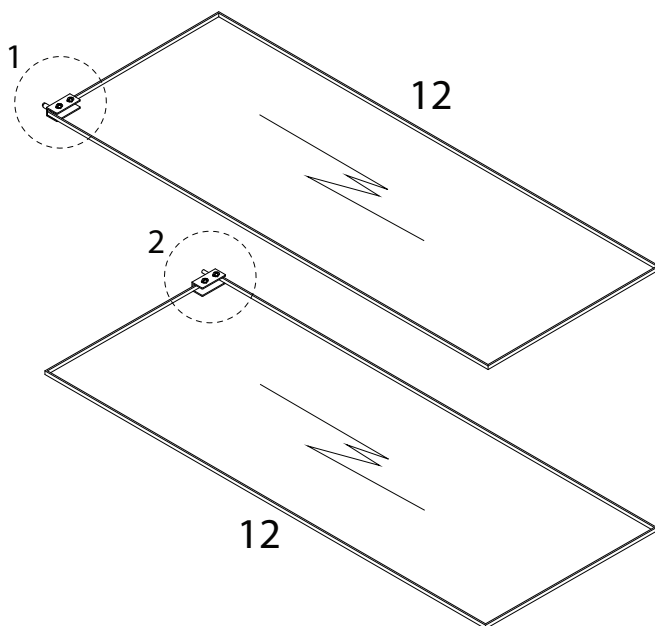
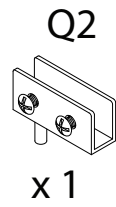
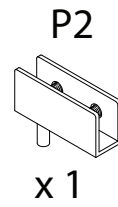
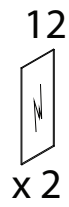
x 1



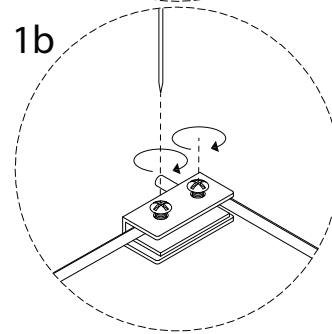
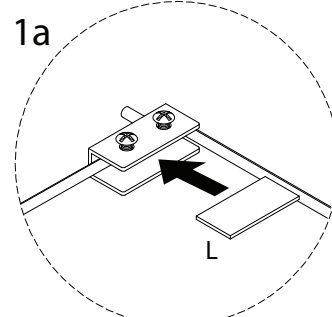
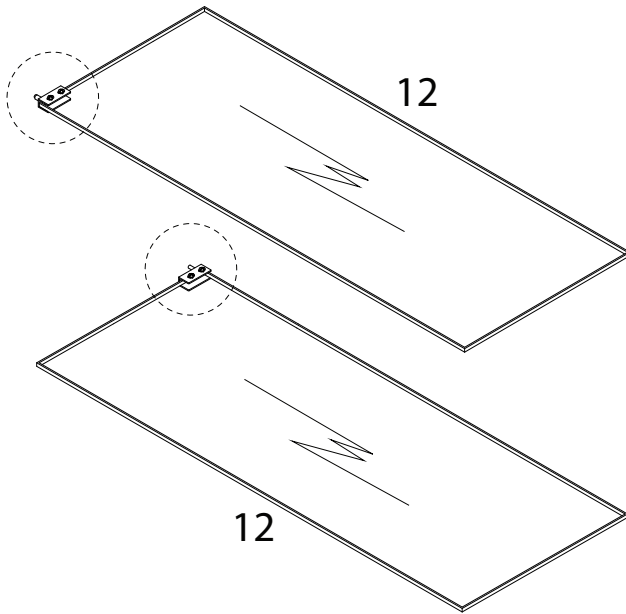
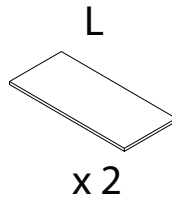
25



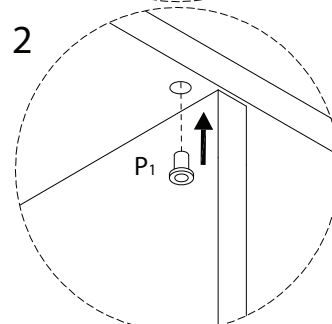
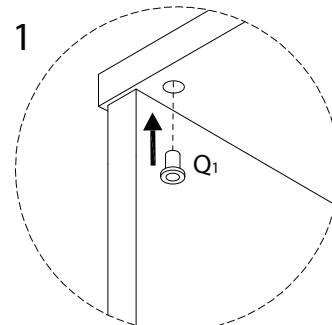
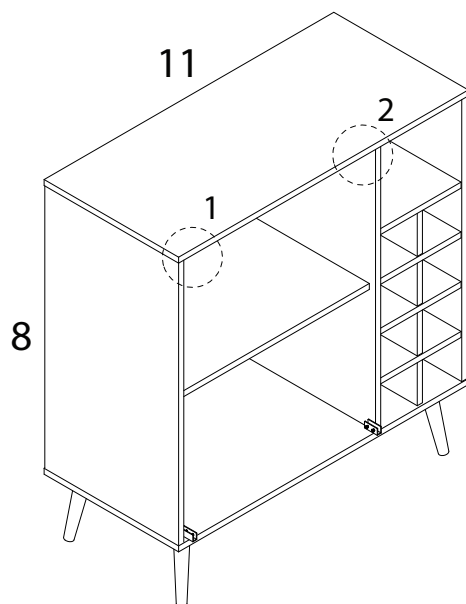
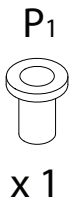
26



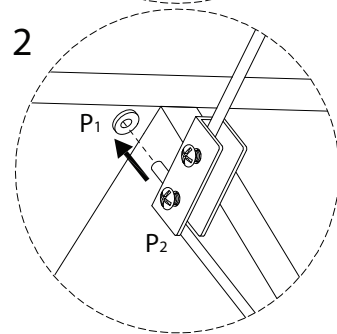
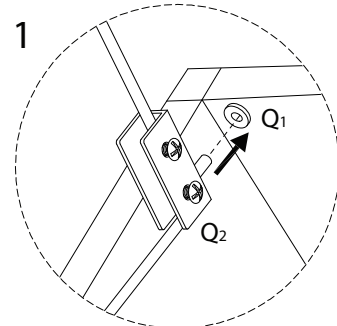
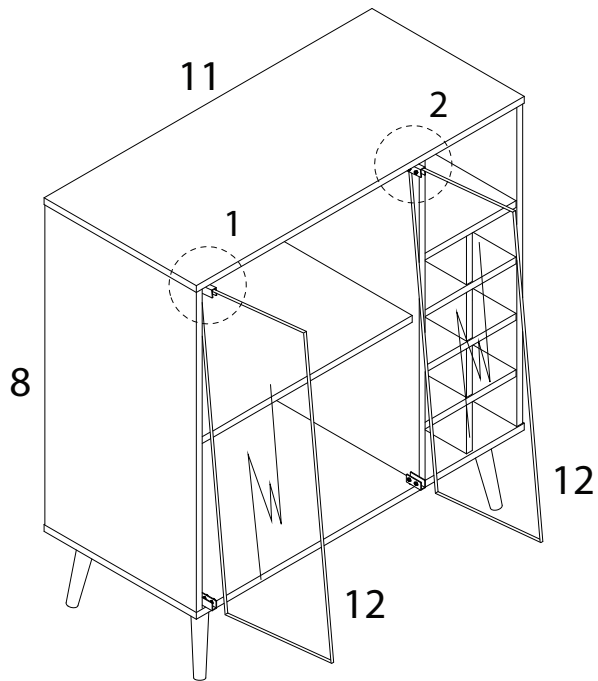
27



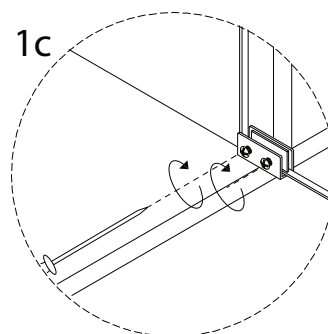
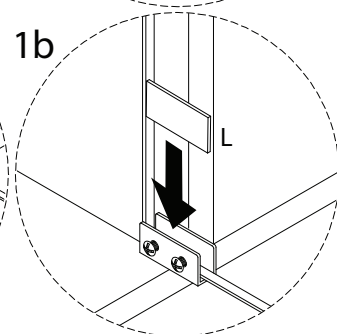
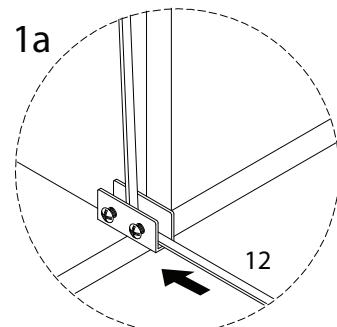
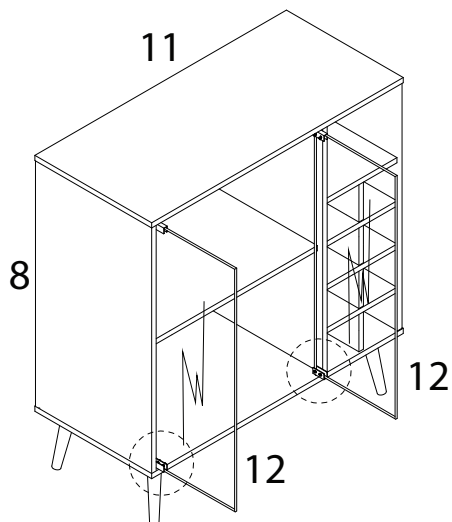
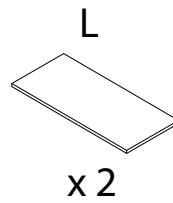
28



29



30

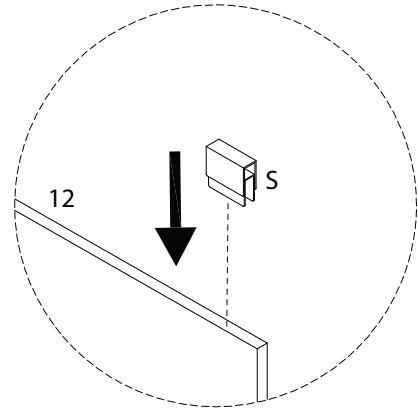
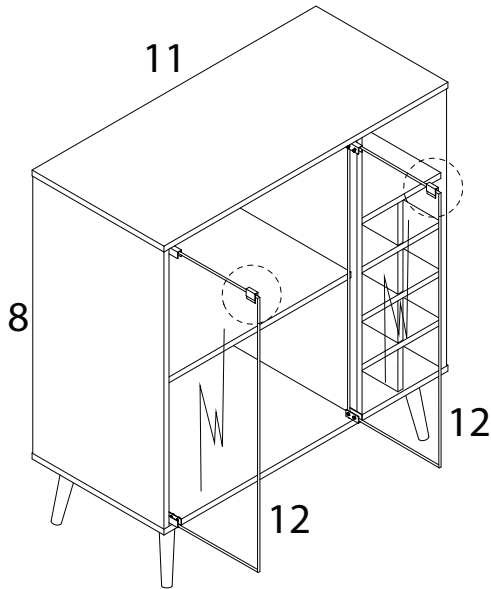


31

S



x 2



32

J₁

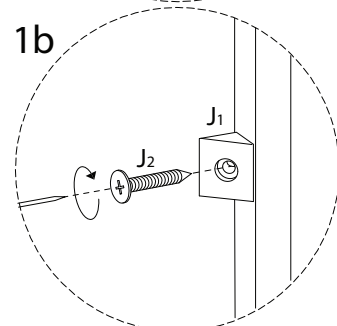
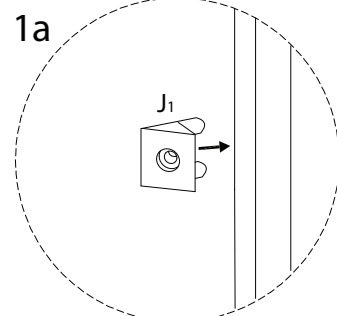
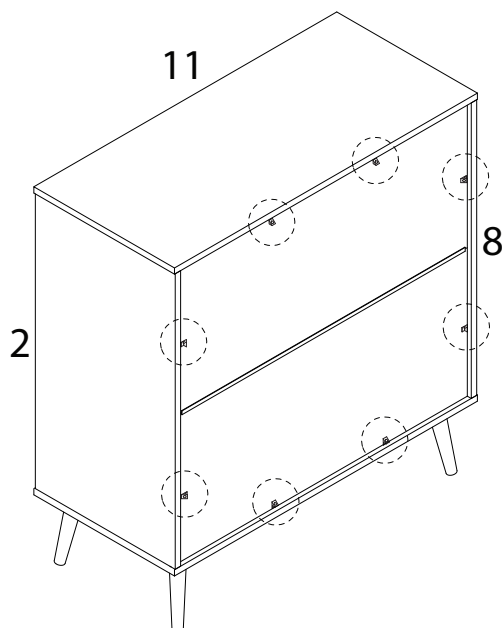


x 8

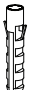


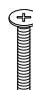

J₂



x 8



33

 M1 x 2	 M2 x 2	 M3 x 4	 M4 x 30 x 2	 M5 x 14 x 2
--	--	--	--	--

