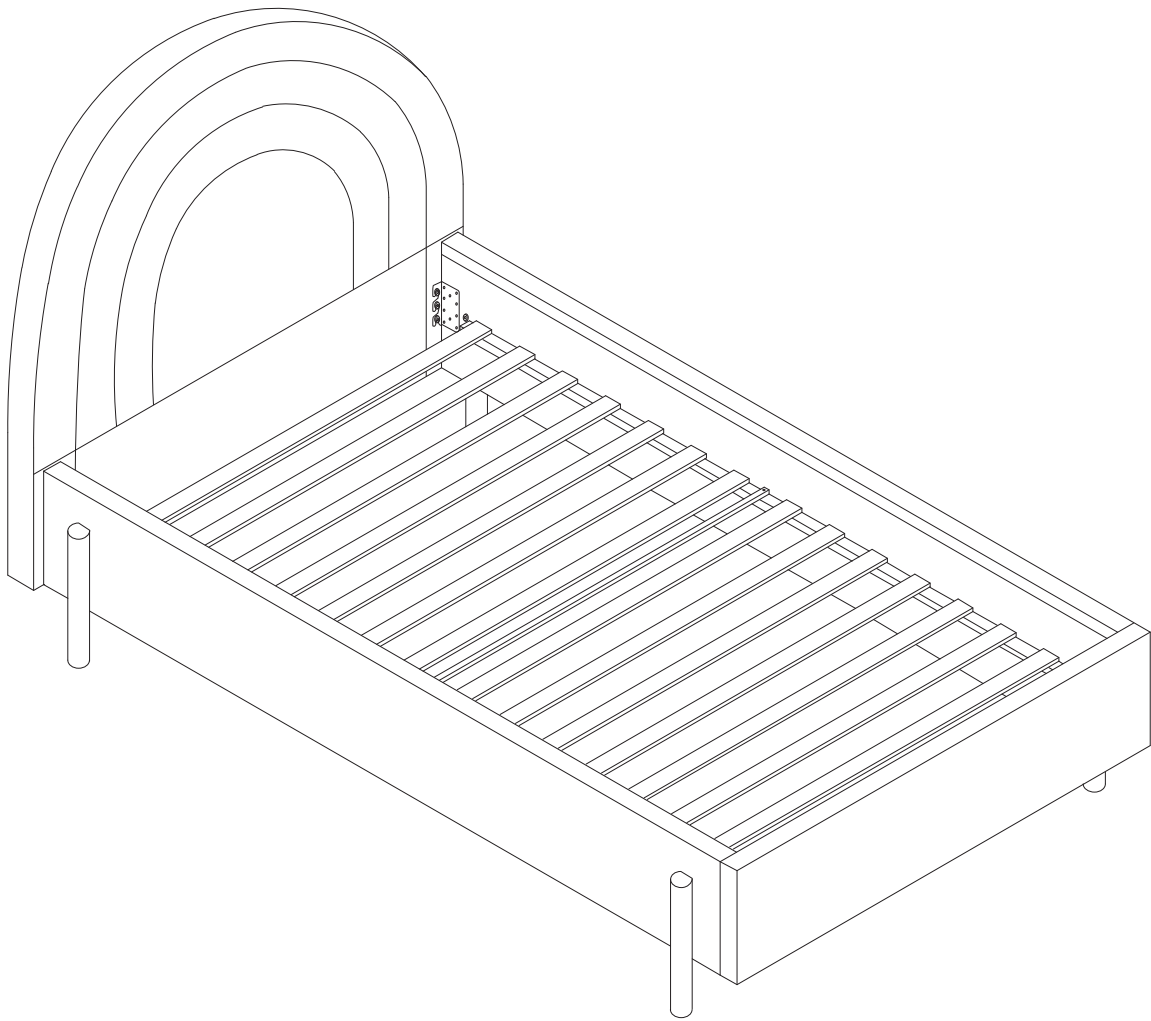
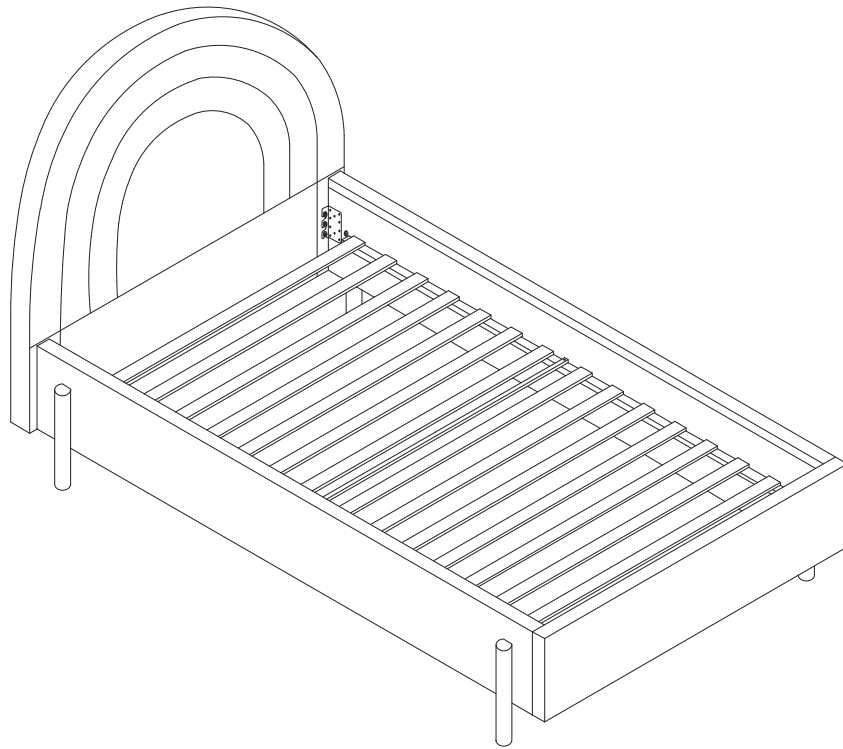
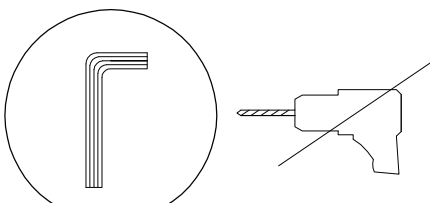

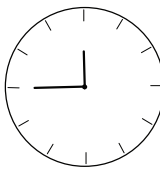
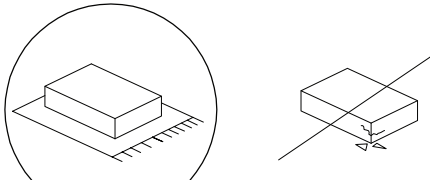

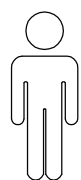
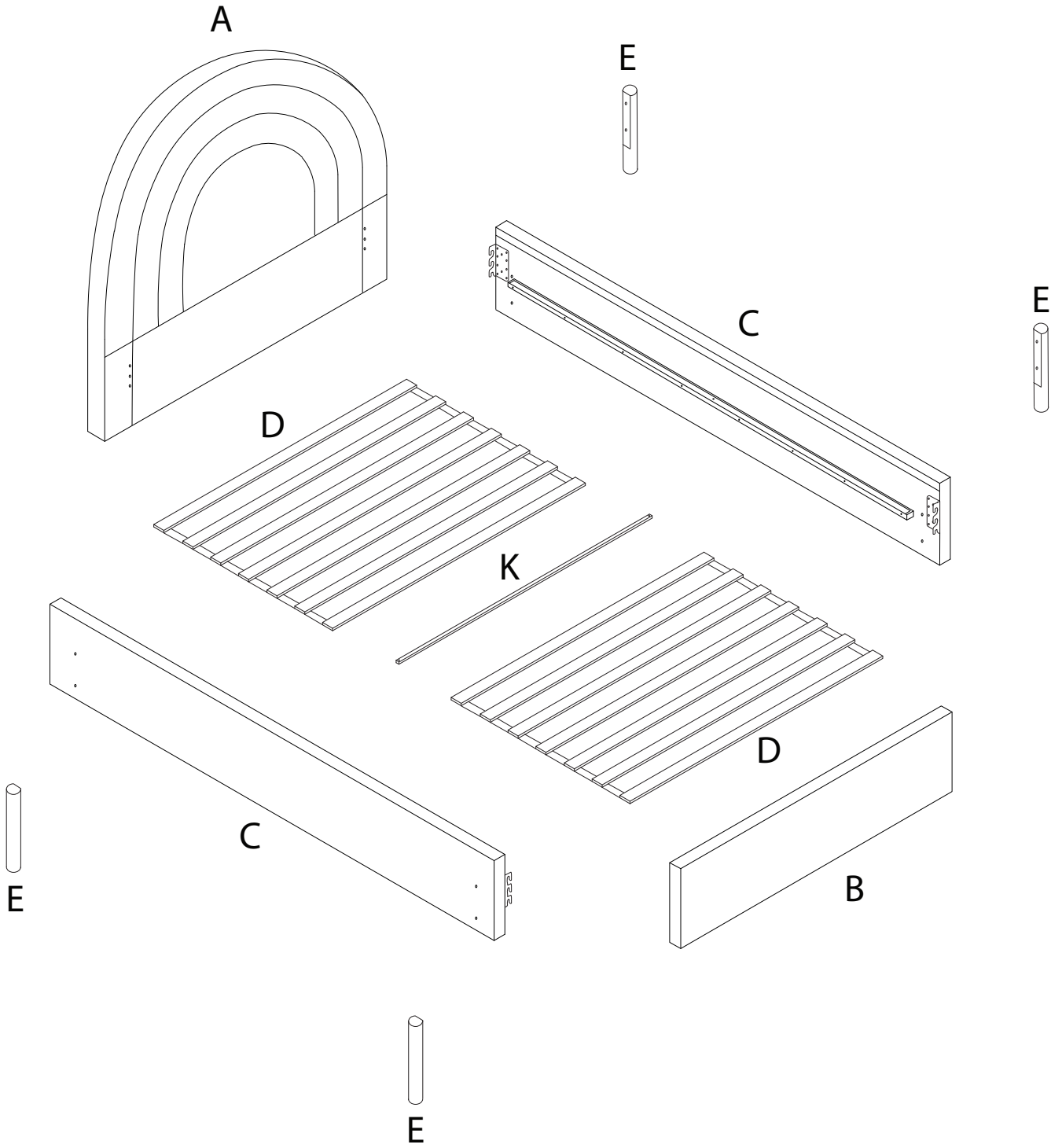


ANET

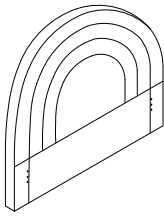




		
		<p>45'</p>
		
		<p>2</p>

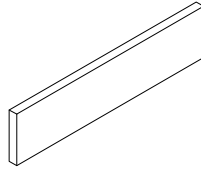


A



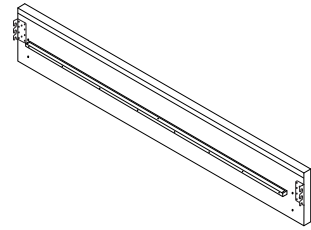
x 1

B



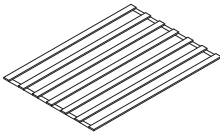
x 1

C



x 2

D



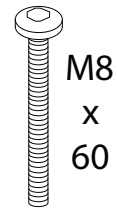
x 2

E



x 4

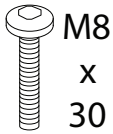
F



M8
x
60

x 8

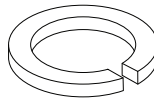
G



M8
x
30

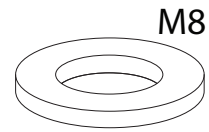
x 12

H



x 20

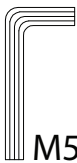
I



M8

x 20

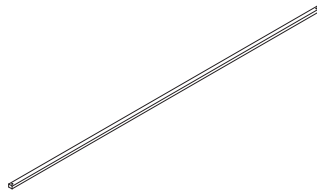
J



M5

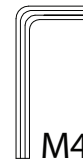
x 1

K



x 1

L



M4

x 1

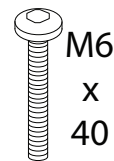
M



M6

x 2

N

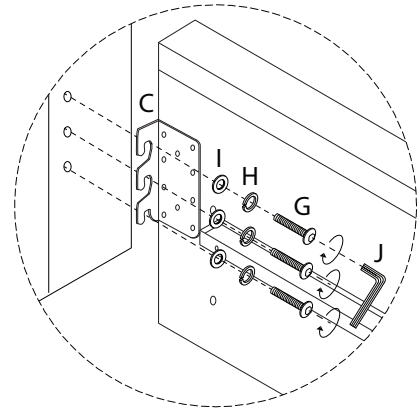
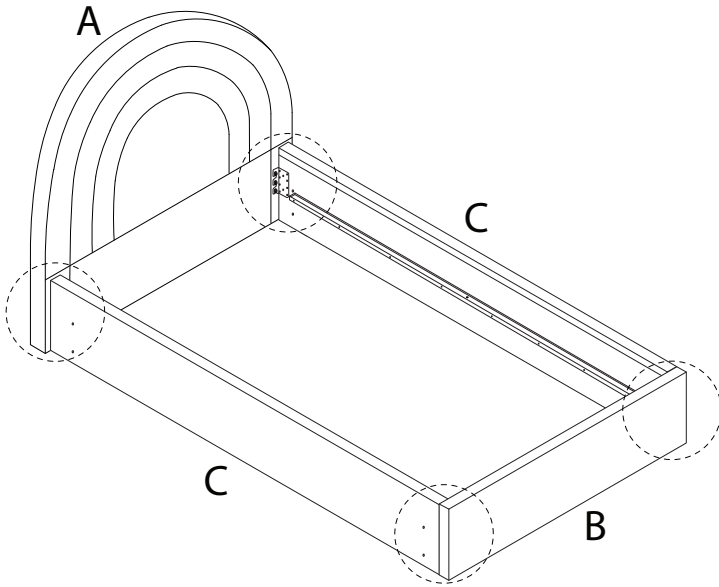


M6
x
40

x 2

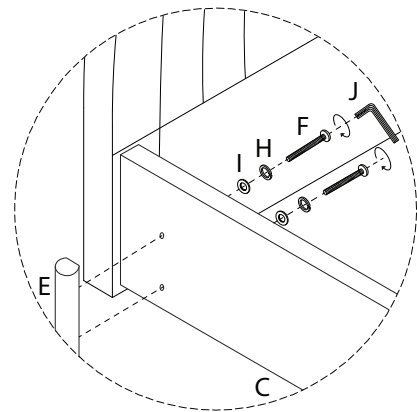
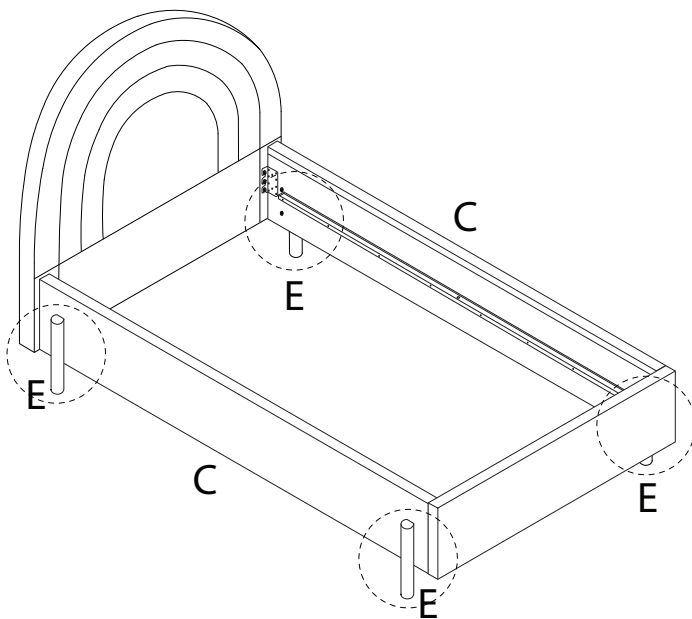
1

A x 1	B x 1	C x 2	G x 12	H x 12	I x 12	J x 1
---------------------	---------------------	---------------------	----------------------	----------------------	----------------------	---------------------

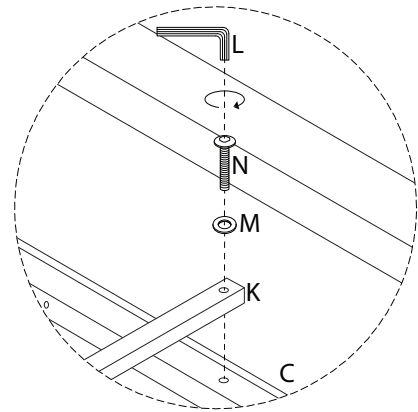
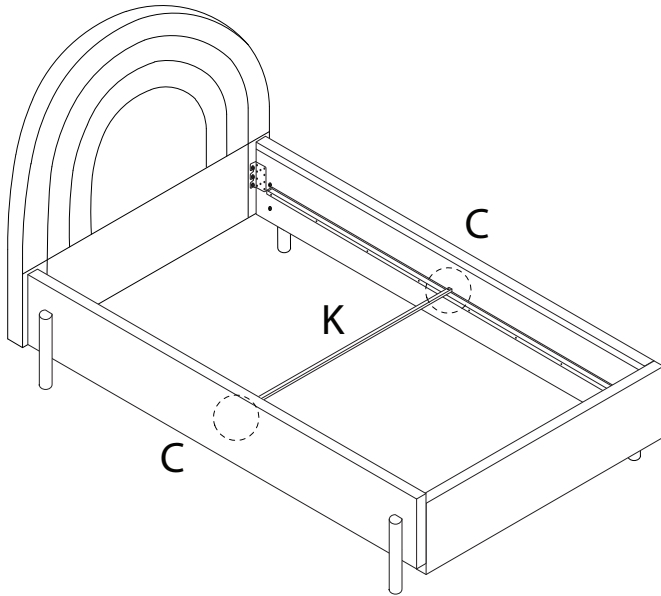
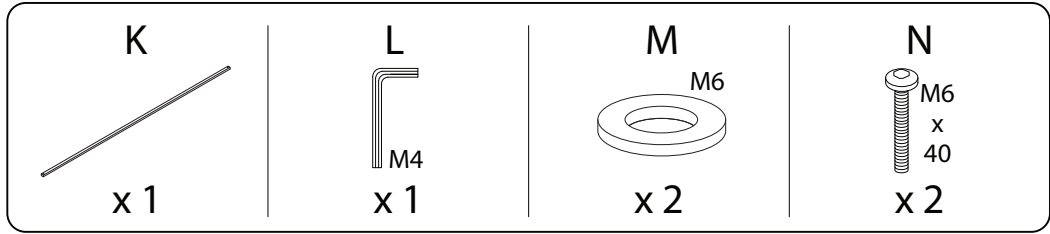


2

E x 4	F x 8	H x 8	I x 8	J x 1
---------------------	---------------------	---------------------	---------------------	---------------------



3



4

