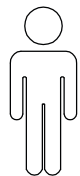
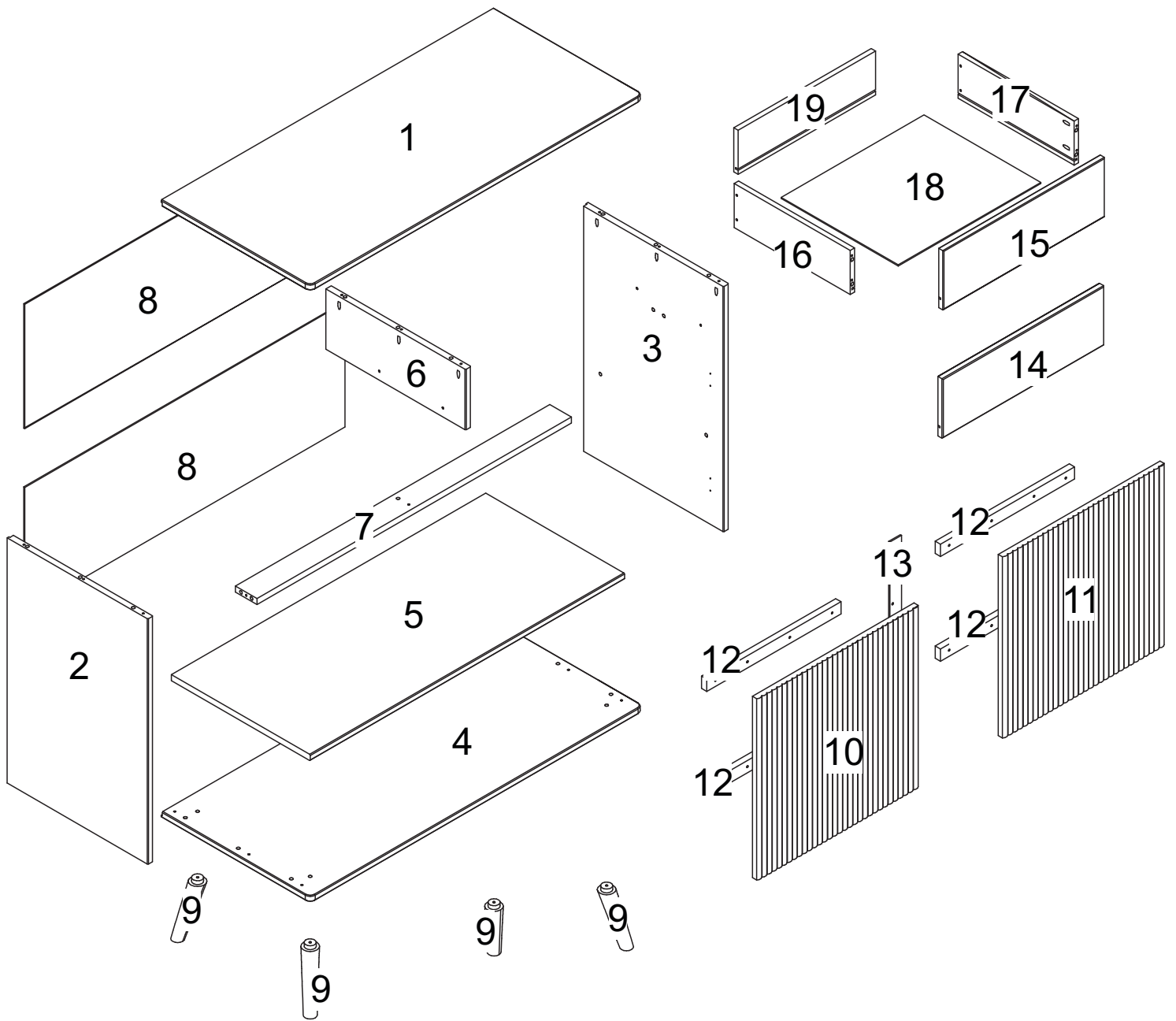
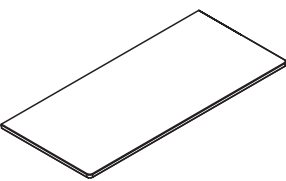

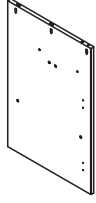
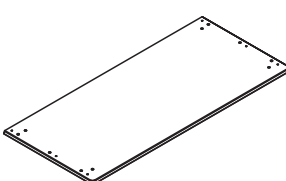
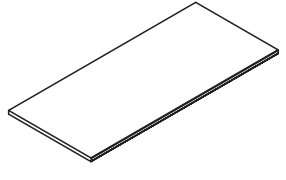
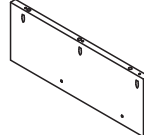
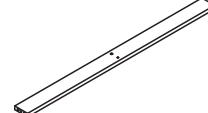
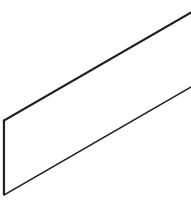
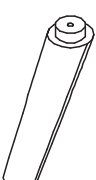
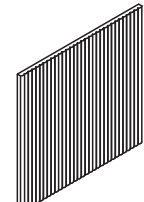
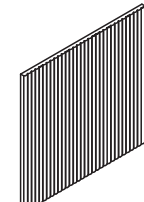
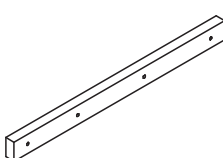

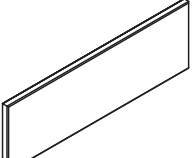
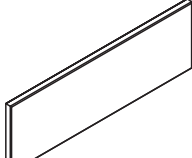
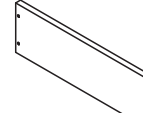
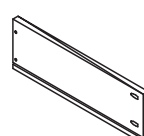
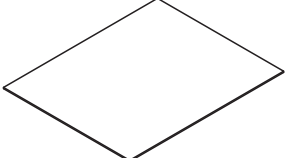
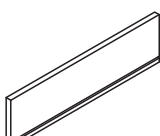
	<p>120'</p>
		
		<p>2</p>



<p>1</p>  <p>x 1</p>	<p>2</p>  <p>x 1</p>	<p>3</p>  <p>x 1</p>	<p>4</p>  <p>x 1</p>
<p>5</p>  <p>x 1</p>	<p>6</p>  <p>x 1</p>	<p>7</p>  <p>x 1</p>	<p>8</p>  <p>x 2</p>
<p>9</p>  <p>x 4</p>	<p>10</p>  <p>x 1</p>	<p>11</p>  <p>x 1</p>	<p>12</p>  <p>x 4</p>
<p>13</p>  <p>x 1</p>	<p>14</p>  <p>x 1</p>	<p>15</p>  <p>x 1</p>	<p>16</p>  <p>x 2</p>
<p>17</p>  <p>x 2</p>	<p>18</p>  <p>x 2</p>	<p>19</p>  <p>x 2</p>	

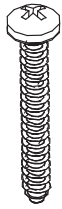
A



M  
8,0  
x  
30

x 28

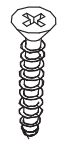
B



M  
4,0  
x  
30

x 27

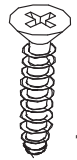
C



M  
3,0  
x  
12

x 24

D



M  
4,0  
x  
16

x 21

E



M  
4,0  
x  
40

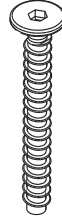
x 7

F



x 1

G



M  
7,0  
x  
50

x 4

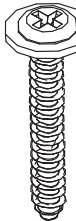
H



M  
4,0  
x  
25

x 16

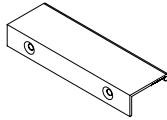
I



M  
4,5  
x  
25

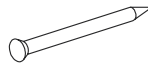
x 4

J



x 4

K



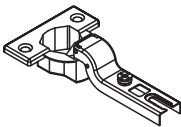
x 32

L



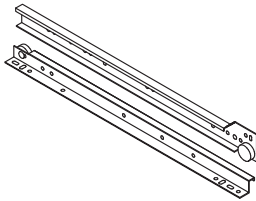
x 4

M



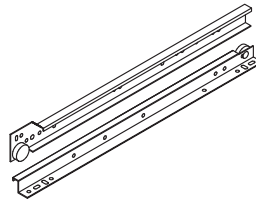
x 4

N



x 2

O



x 2

P



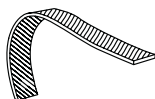
x 4

Q



x 2

R



x 1

S



x 1

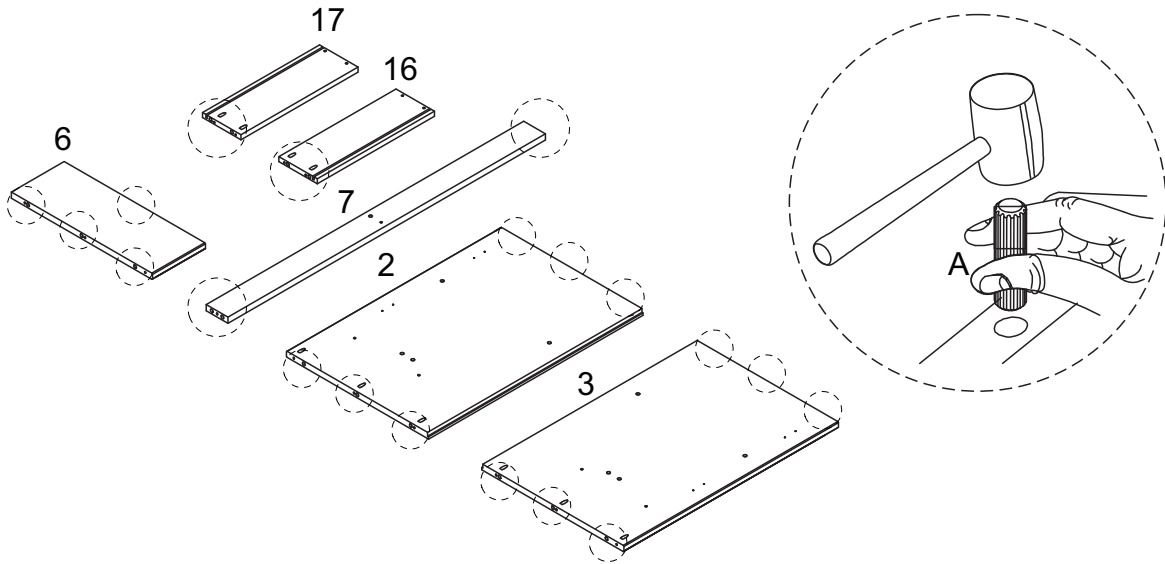
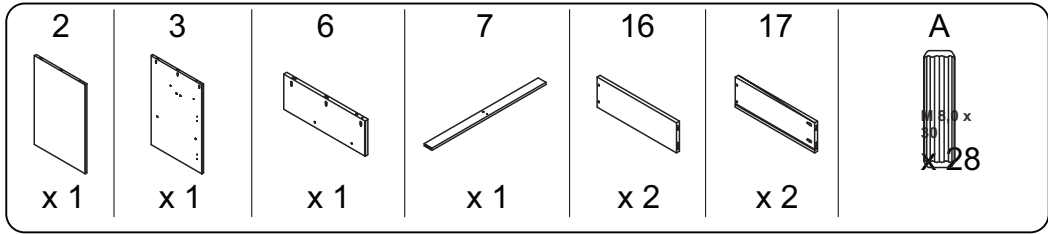
T



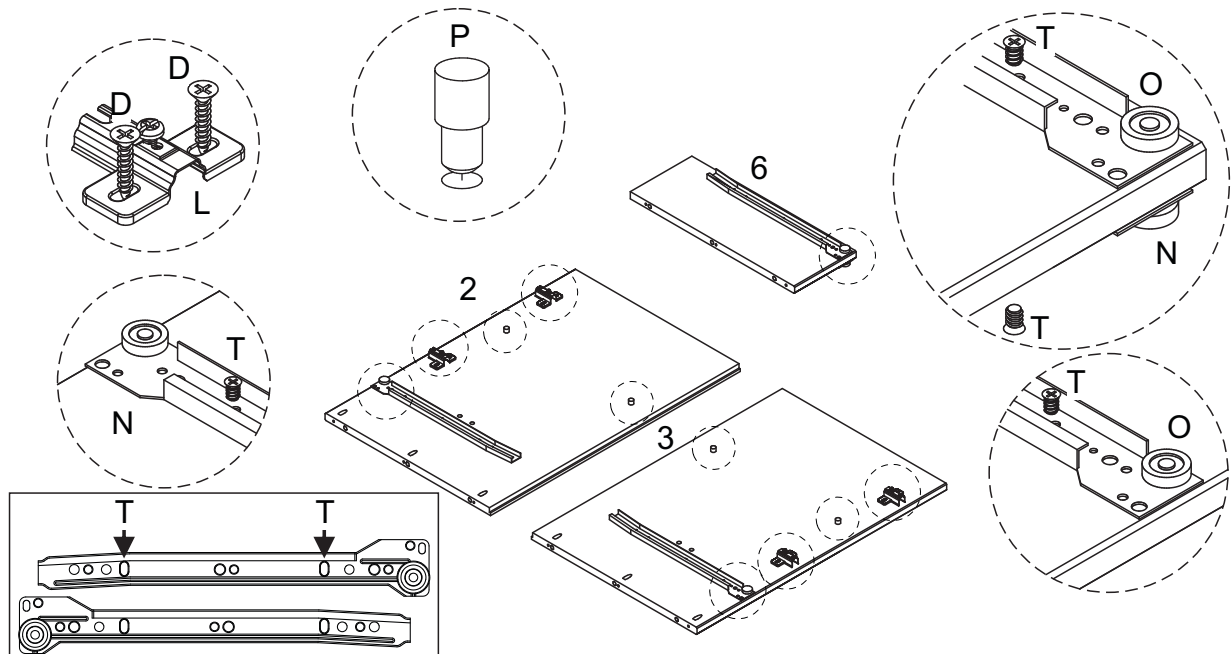
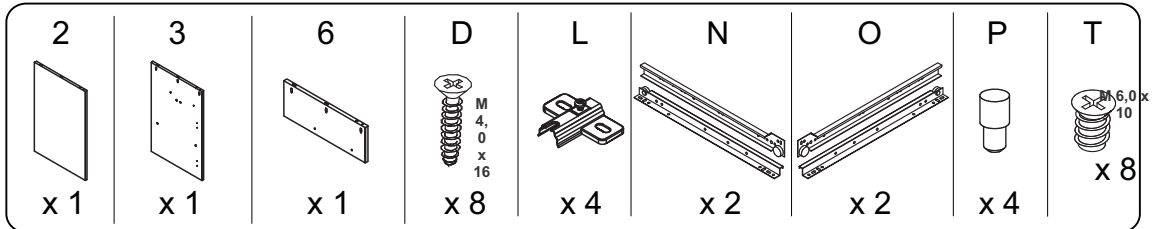
M  
6,0  
x  
8

x 8

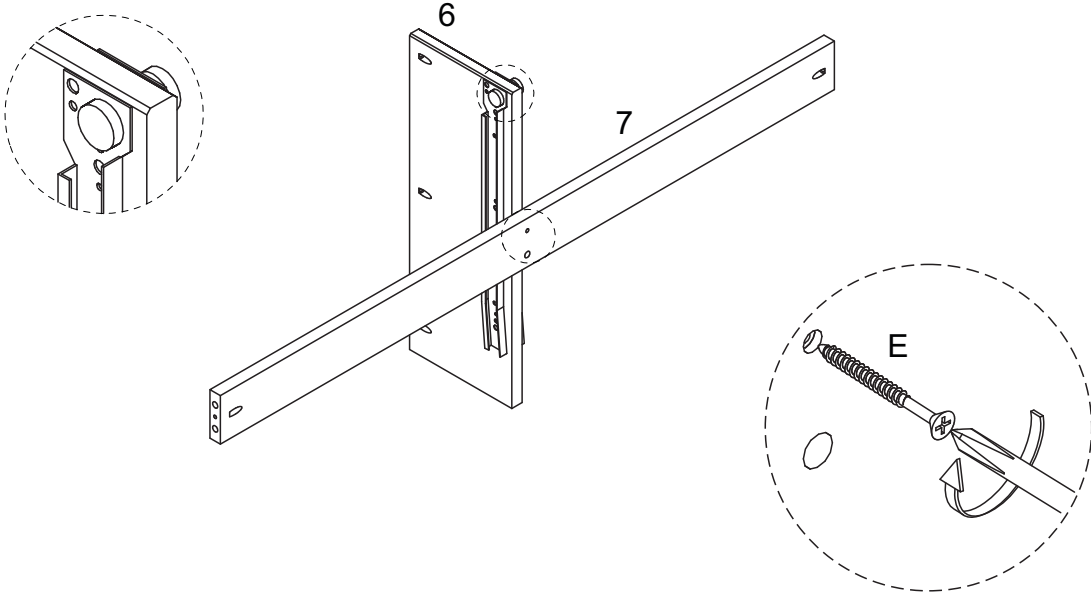
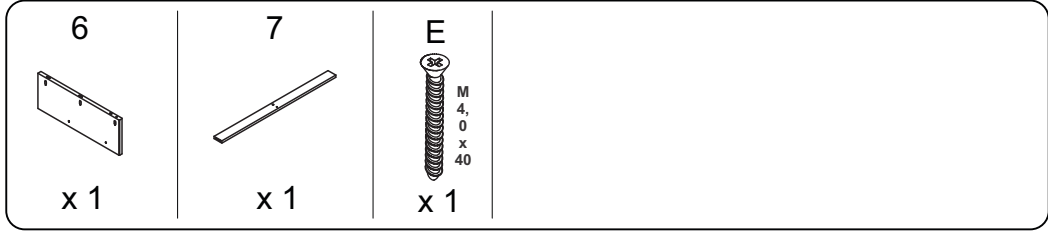
1



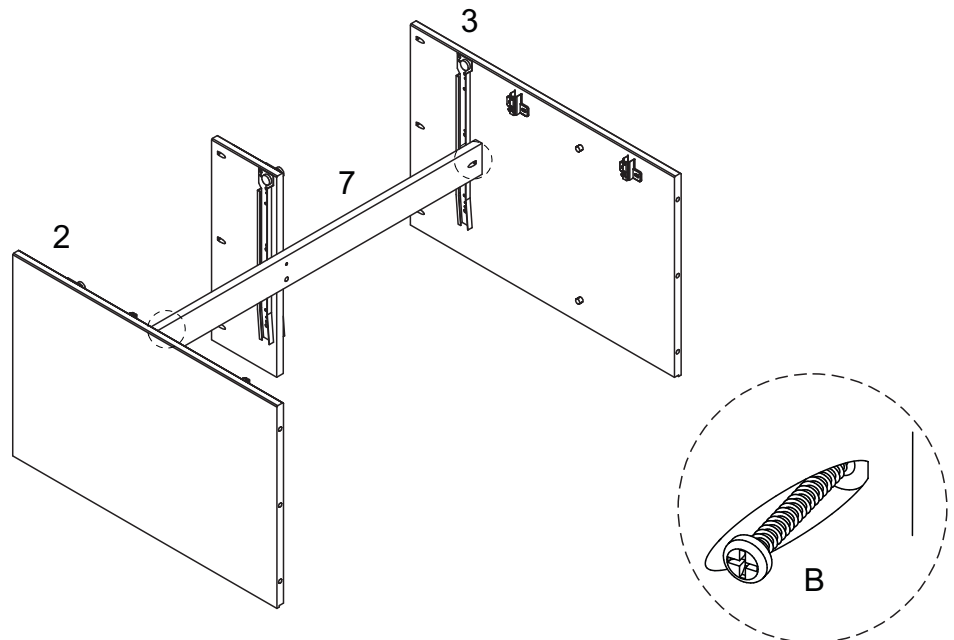
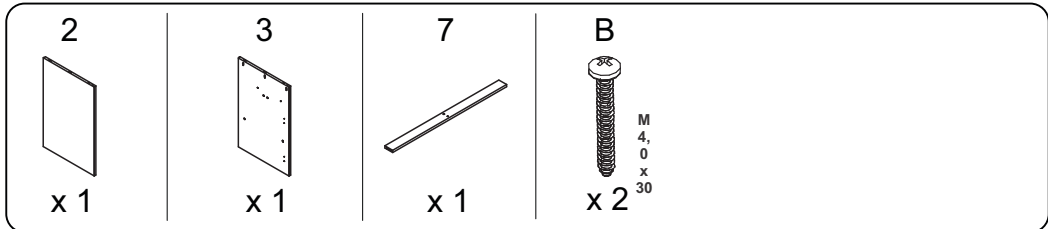
2



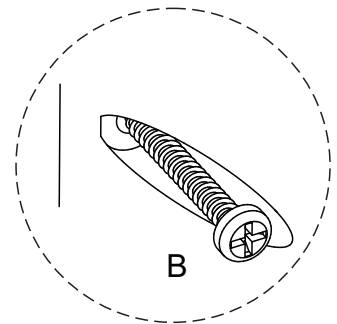
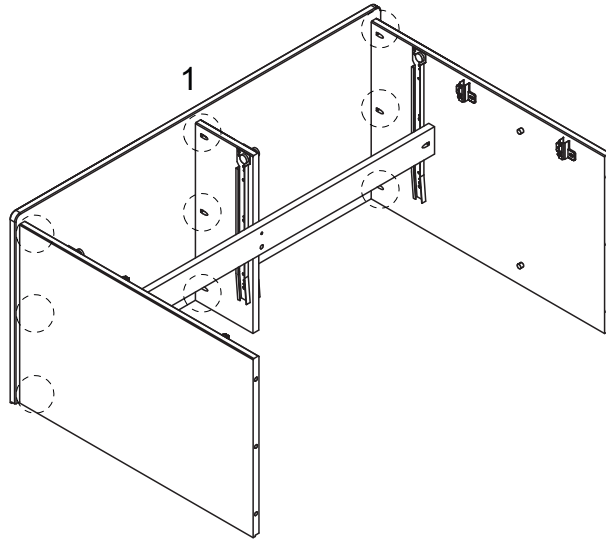
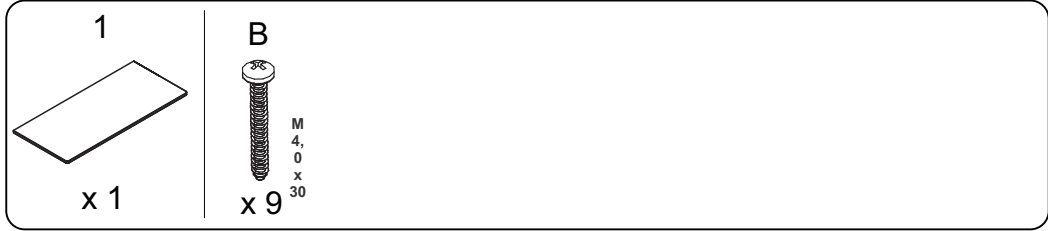
3



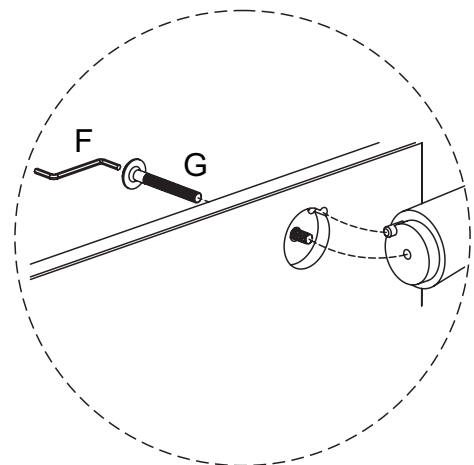
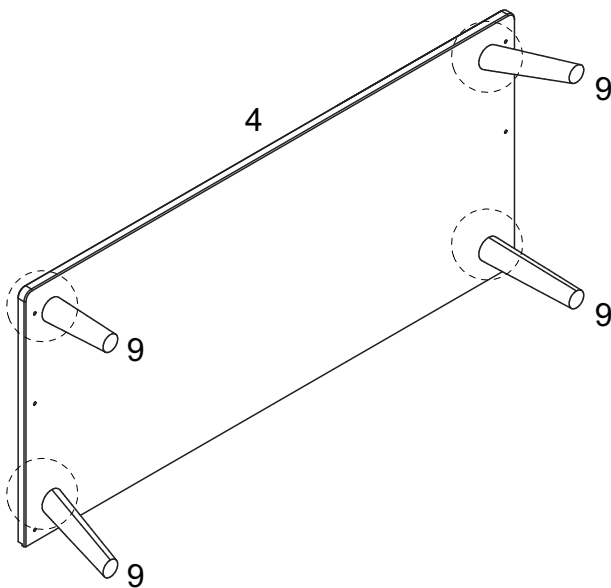
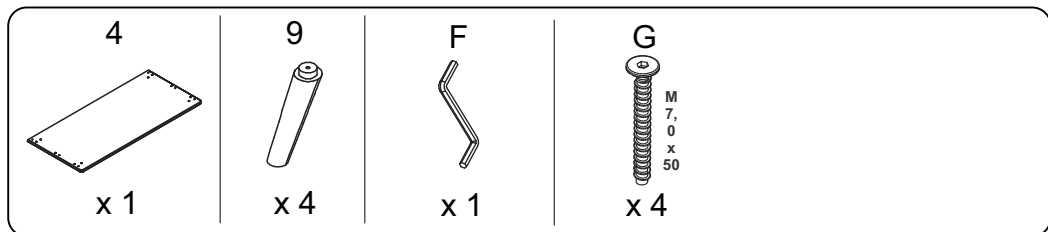
4



5

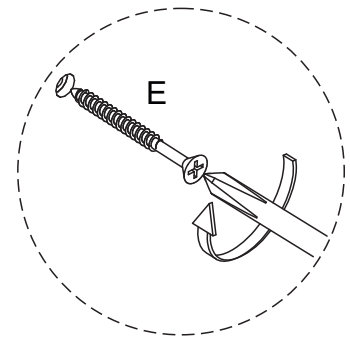
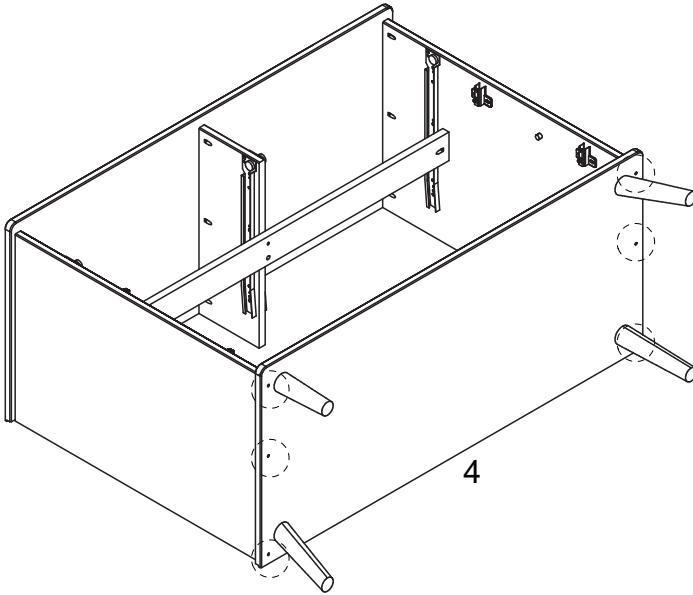
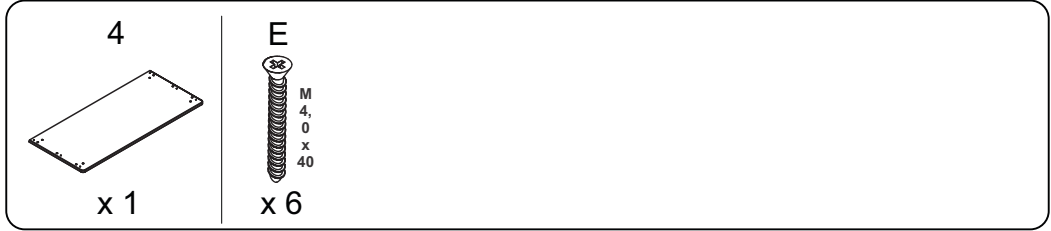


6

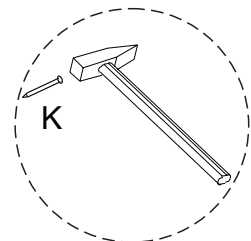
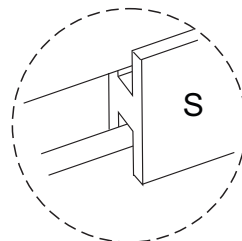
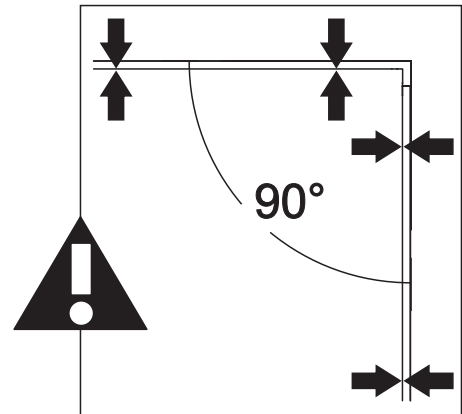
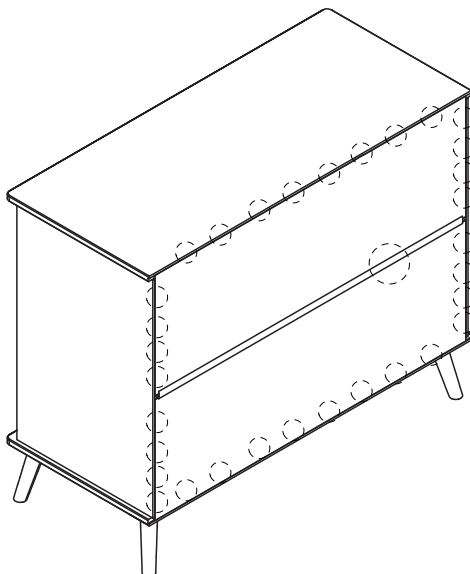
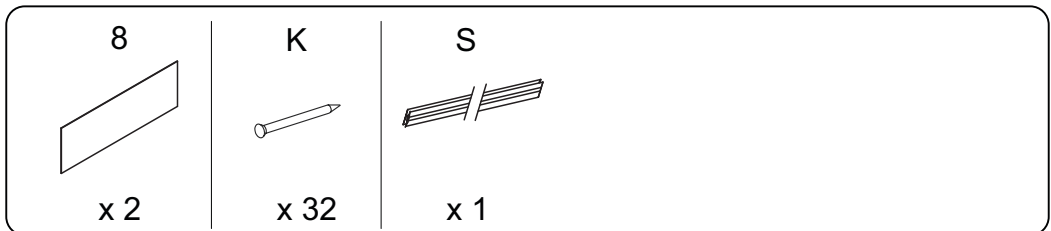




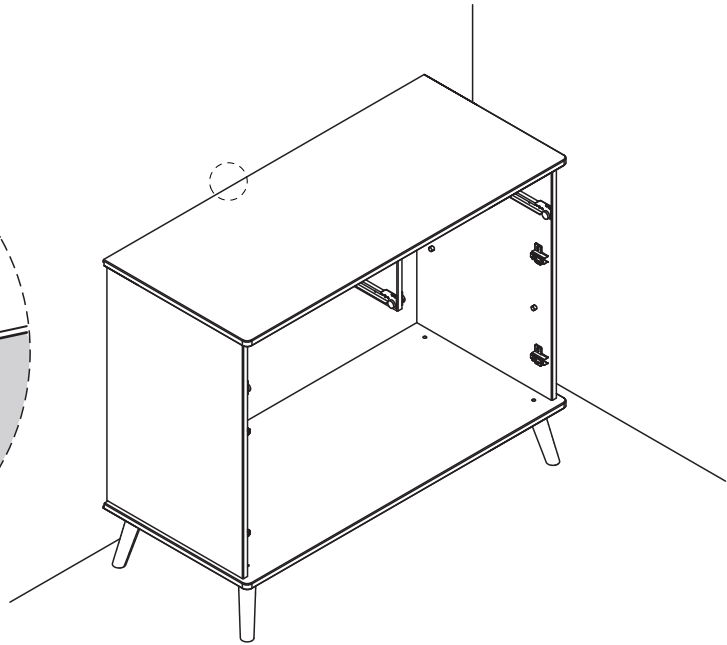
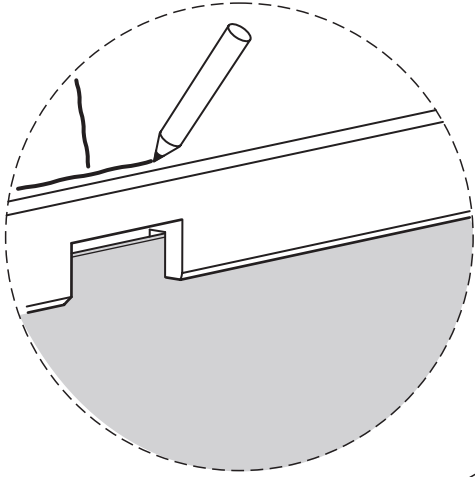
7



8



9



10

Q

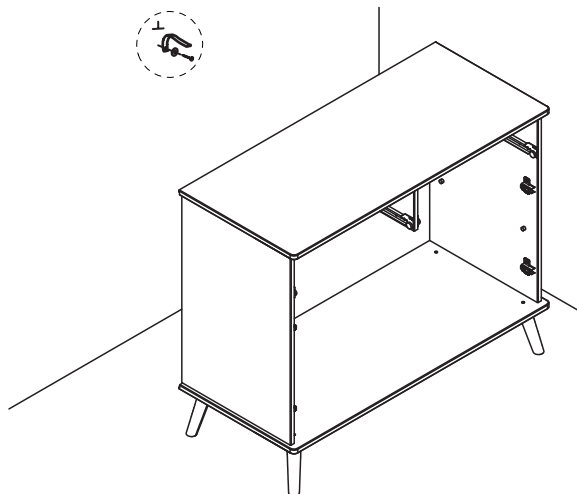
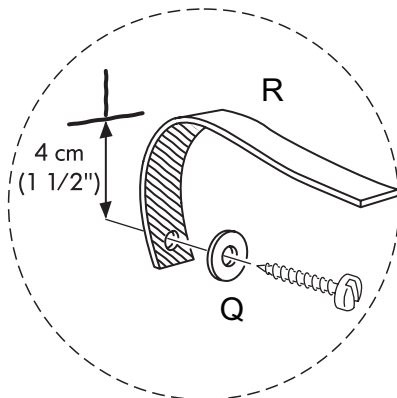
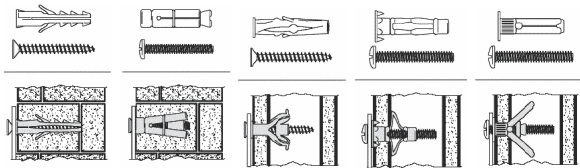
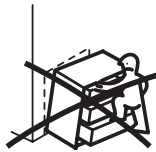
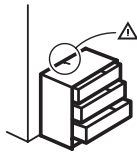
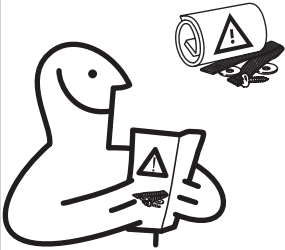


x 1

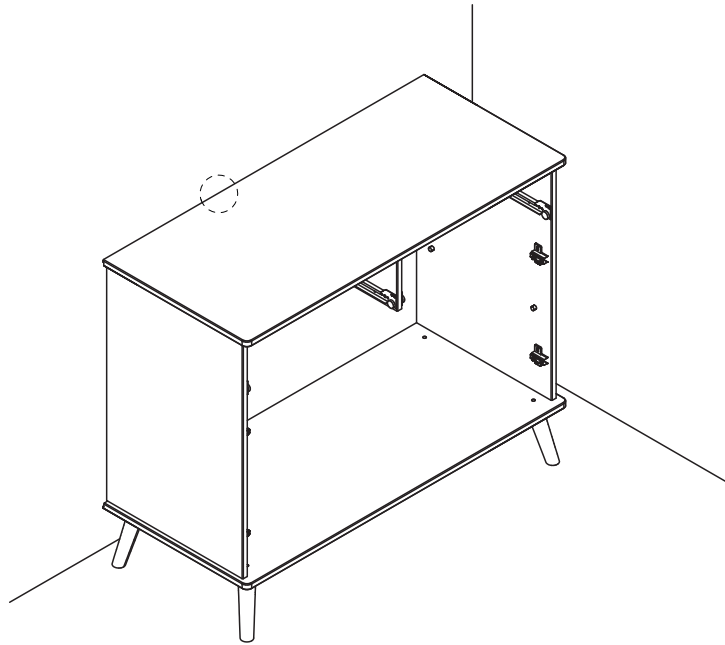
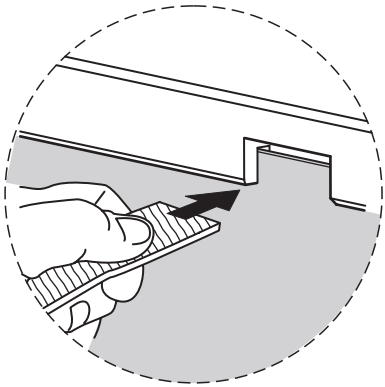
R



x 1

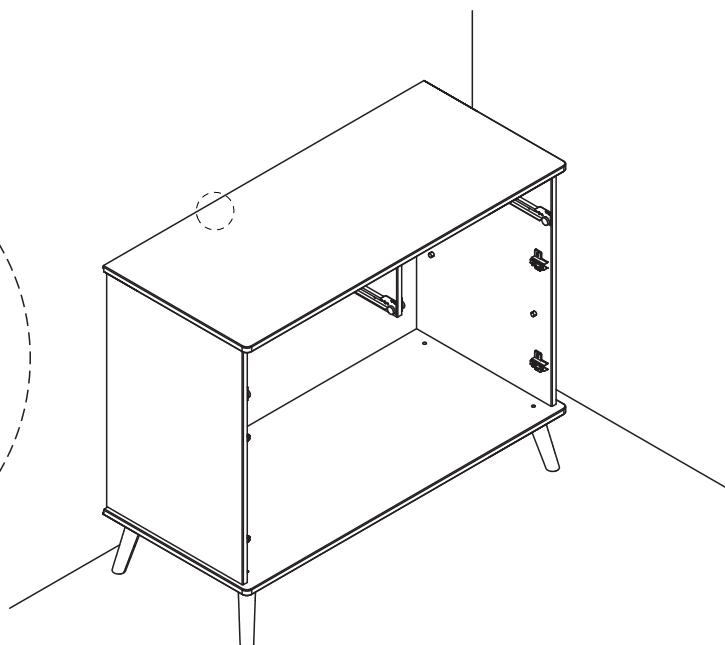
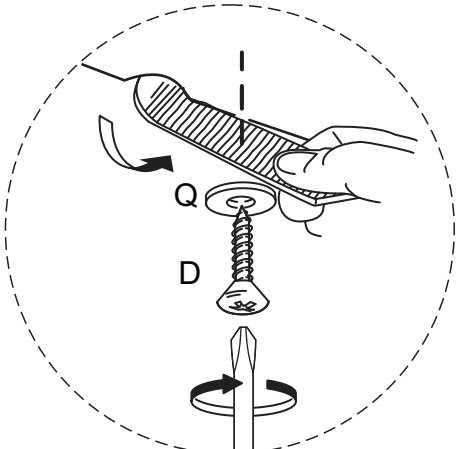


11



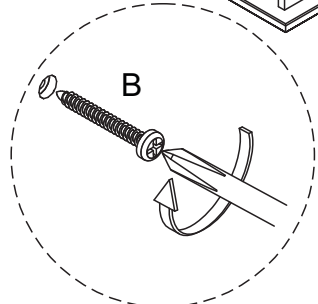
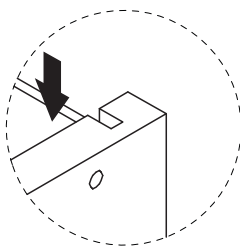
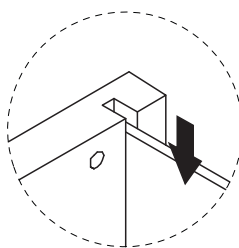
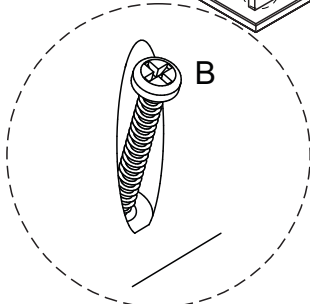
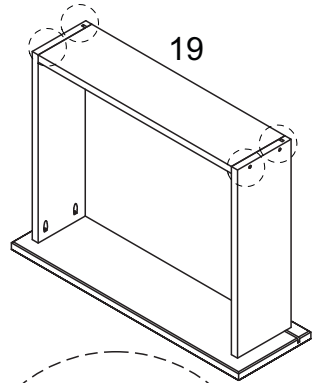
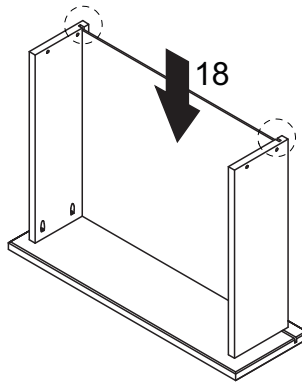
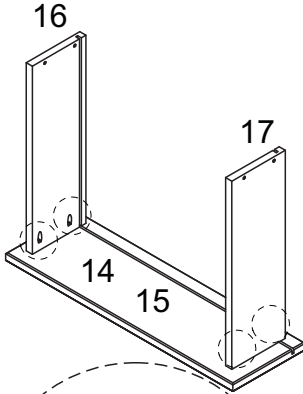
12

<b>D</b>  M 4,0 x 16 x 1	<b>Q</b>  x 1
--	--



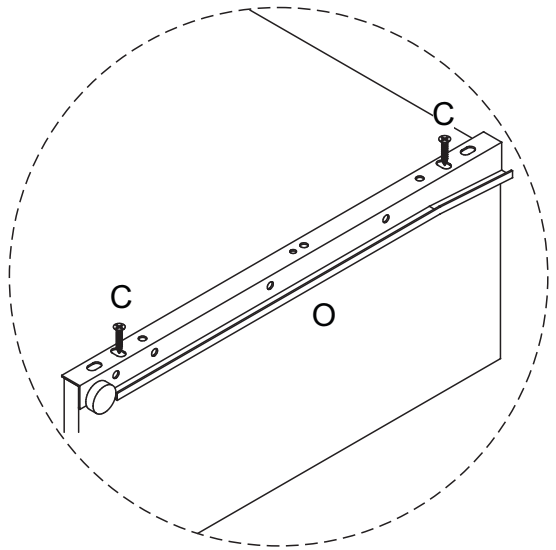
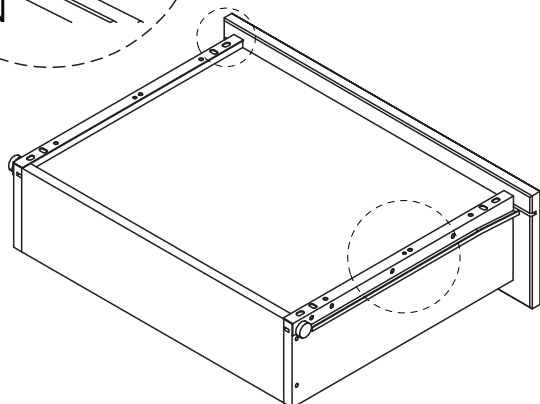
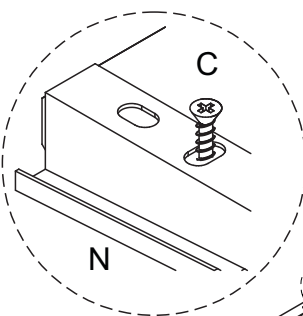
# 13

14  x 1	15  x 1	16  x 2	17  x 2	18  x 2	19  x 2	B  x 16
---------------	---------------	---------------	---------------	---------------	---------------	---------------

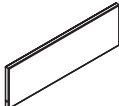
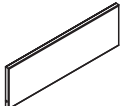
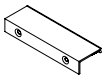



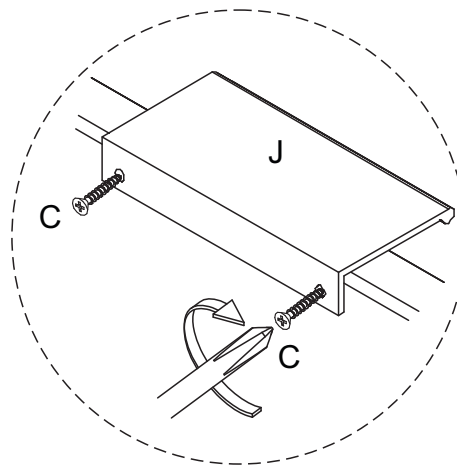
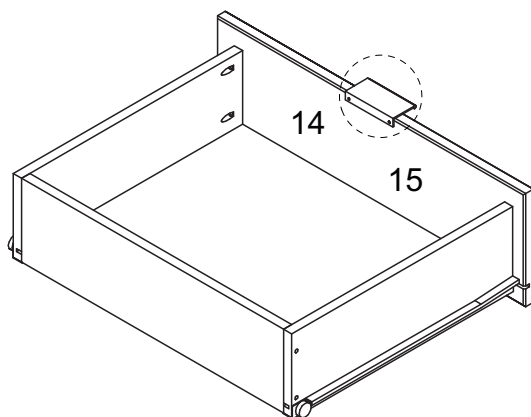
# 14

14  x 1	15  x 1	C  x 8	N  x 2	O  x 2
---------------	---------------	--------------	--------------	--------------

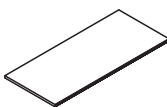
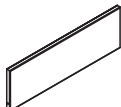
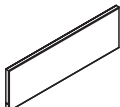


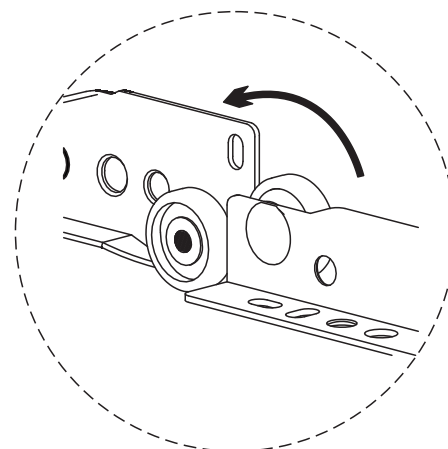
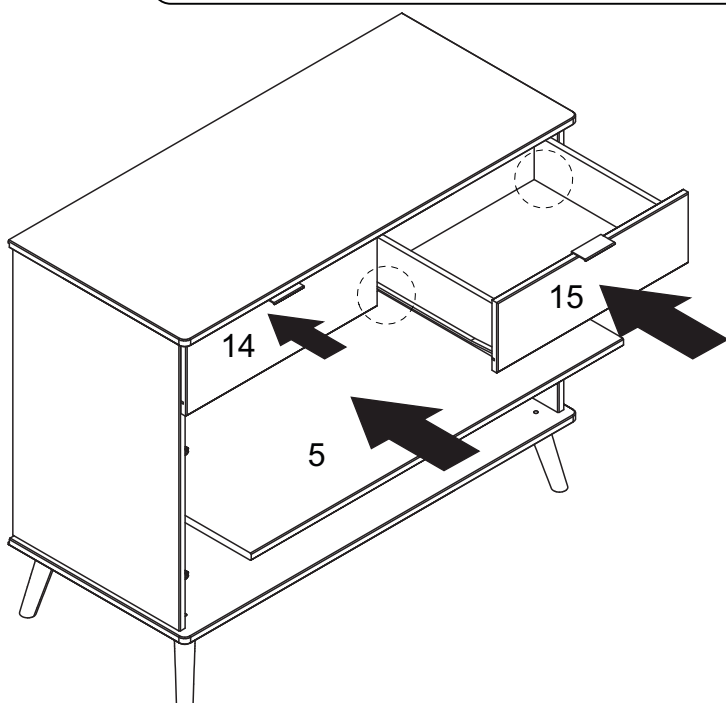
15

14  x 1	15  x 1	J  x 2	C  M 3,0 x 12 x 4
--	--	---	--



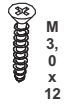
16

5  x 1	14  x 1	15  x 1	
---	--	--	--

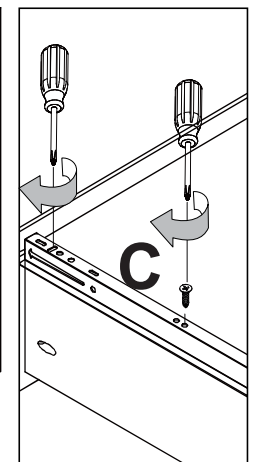
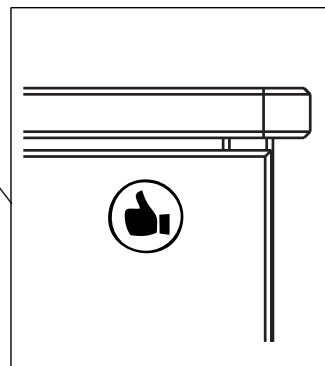
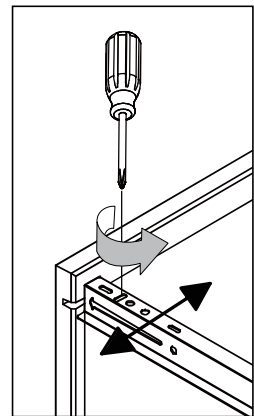
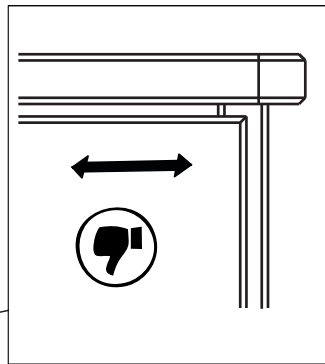
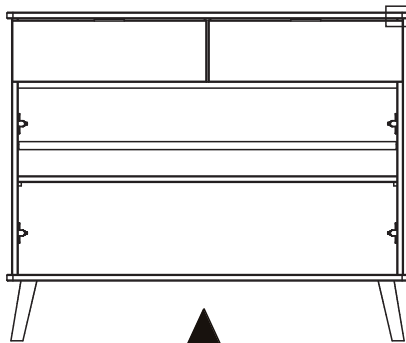
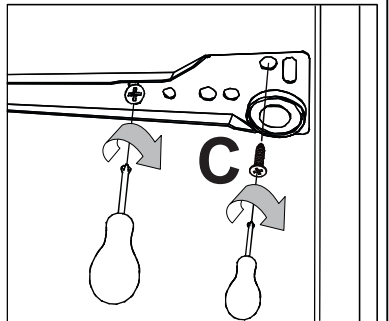
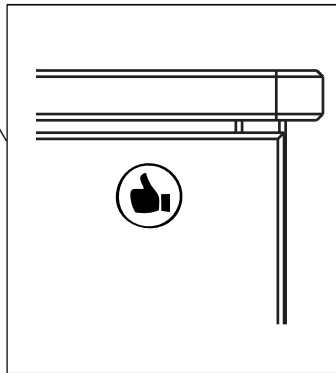
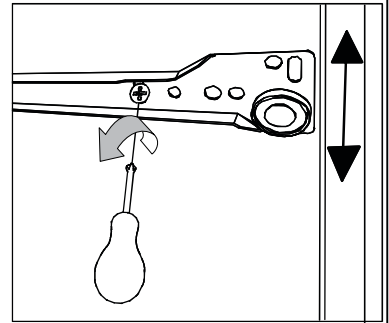
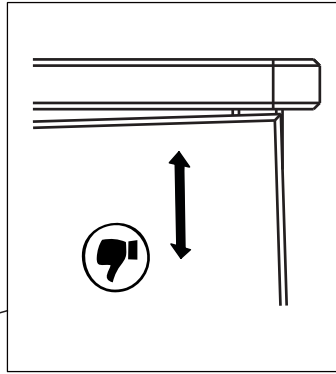
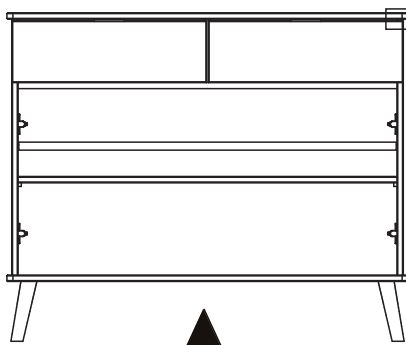


17

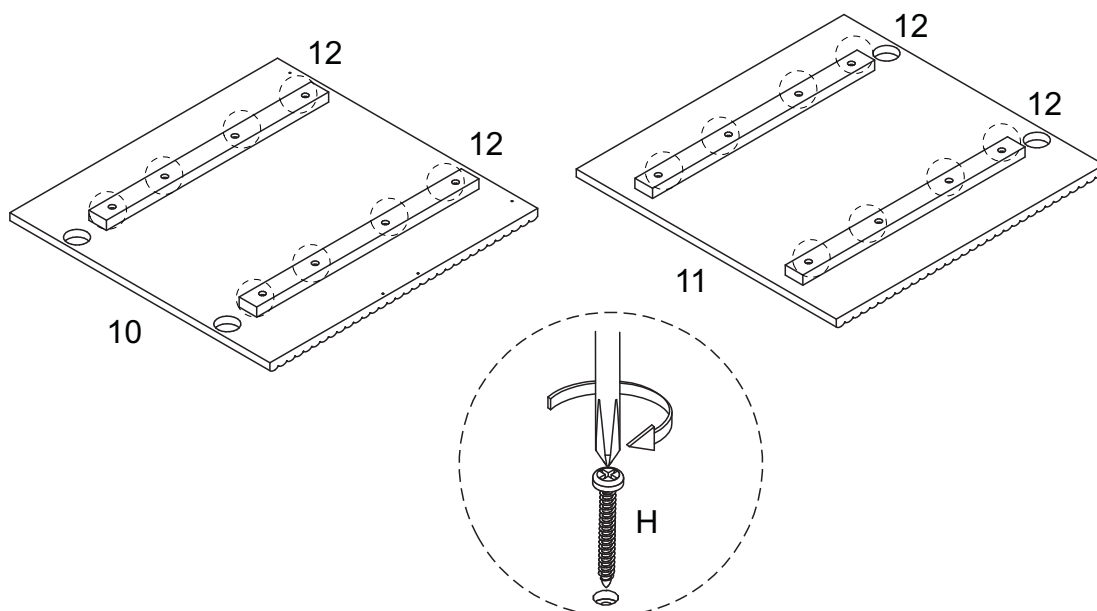
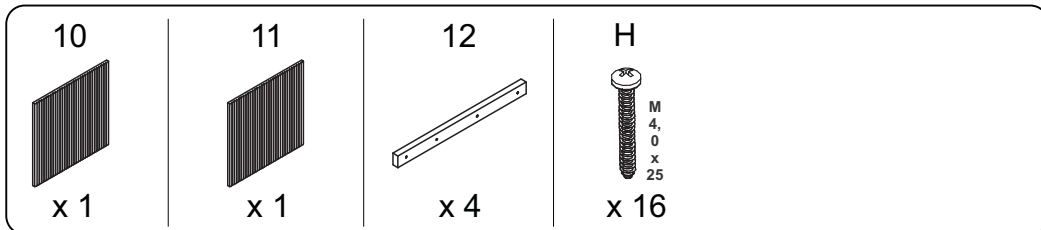
C



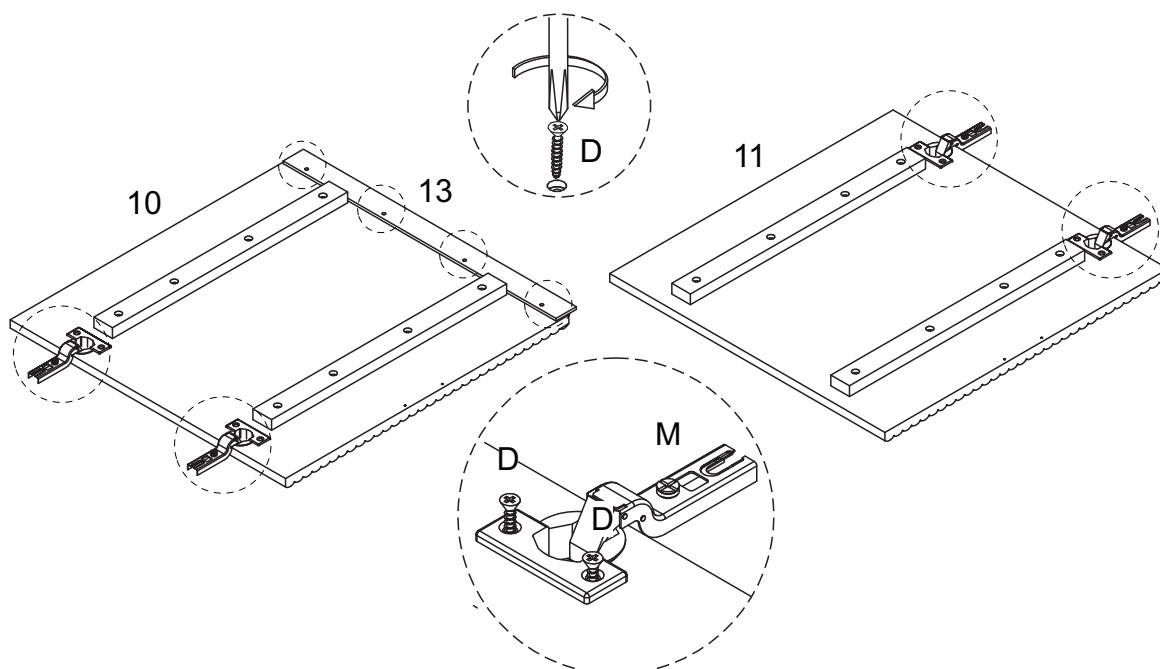
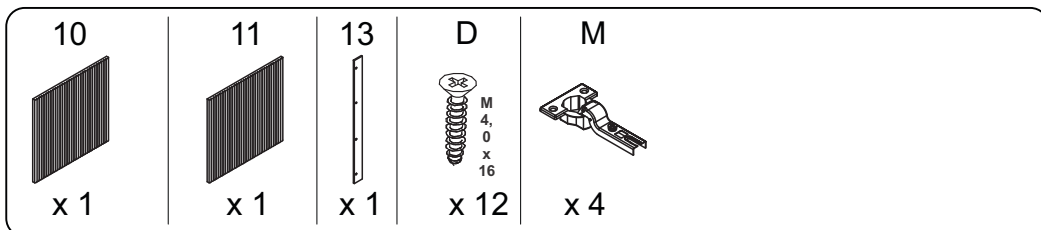
x 8



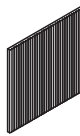

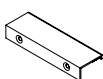


# 18



# 19



20

10  x 1	11  x 1	J  x 2	C  M 3,0 x 12 x 4	I  M 4,5 x 25 x 4
--	--	---	--	---

