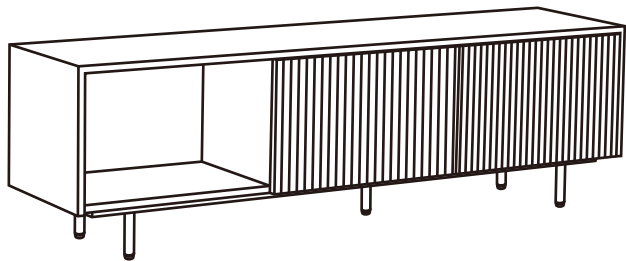
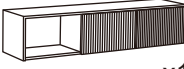

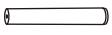
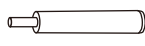




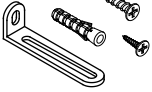




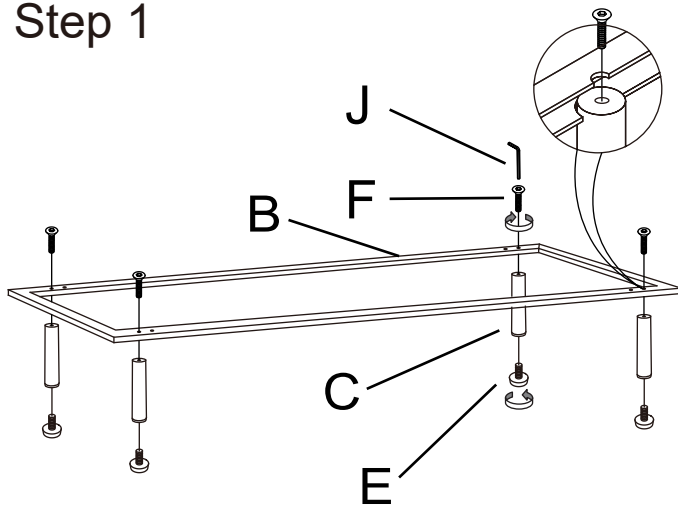


# ASSEMBLE INSTRUCTION

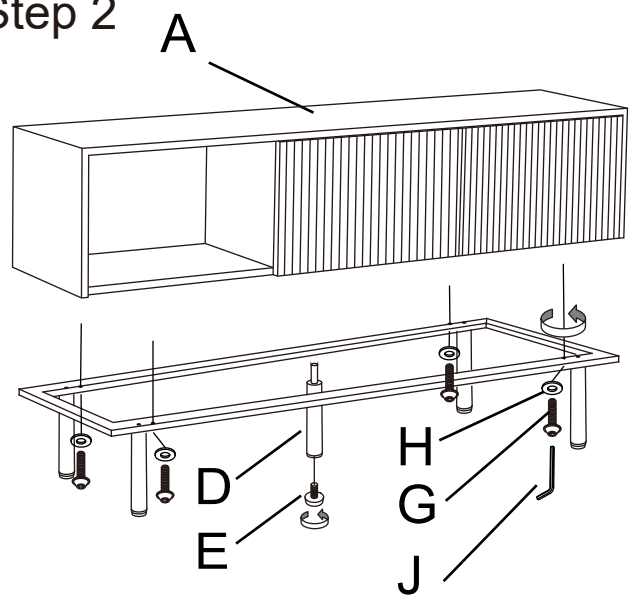


A  x1	B  x1	C  x4
D  x1	E  x5	F  M8x25mm x4
G  M6x30mm x4	H  M6x18mm x4	I  x2
J  5# x1	Spare Parts  M8x25mm x1	Spare Parts  M6x30mm x1
Spare Parts  M6x18mm x1		

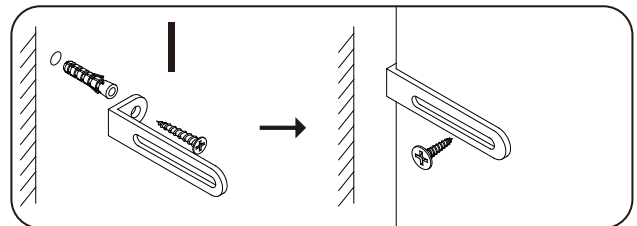
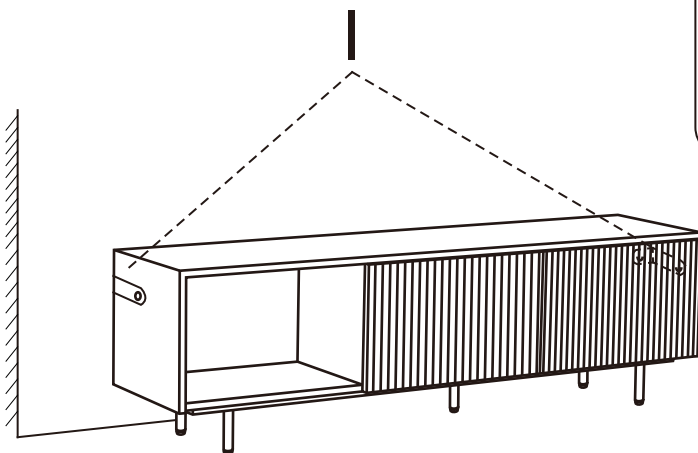
Step 1



Step 2

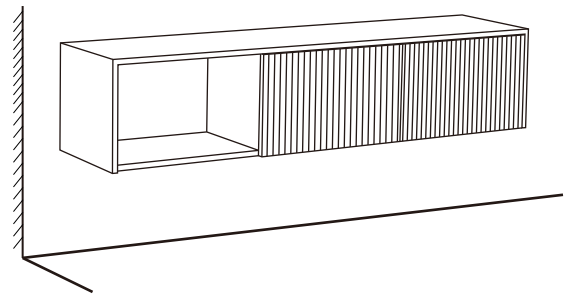
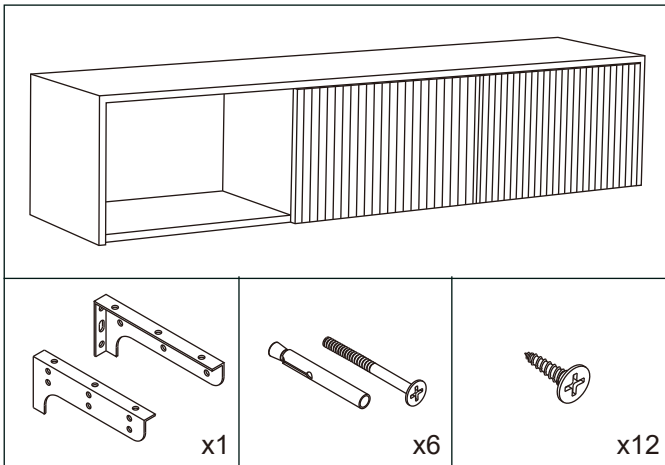


Step 3

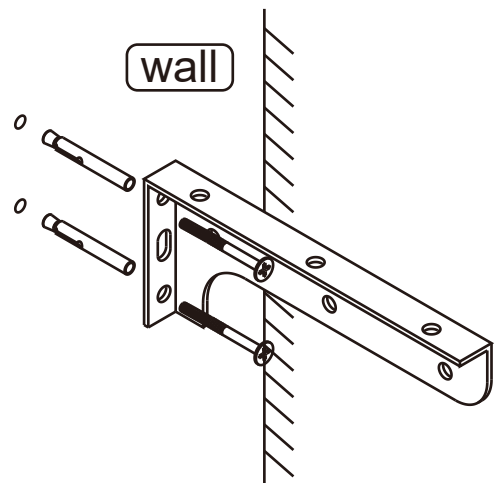
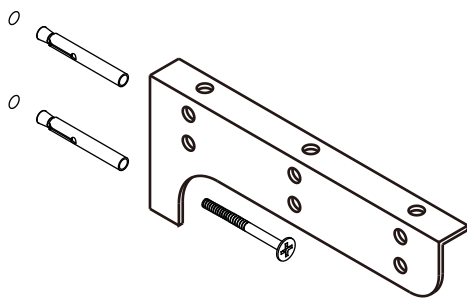


Install it at suitable place .

# Wall-mounted Assembly Instruction



## Step 1



Measure correct position, make holes level, fixed the bracket

## Step 2

