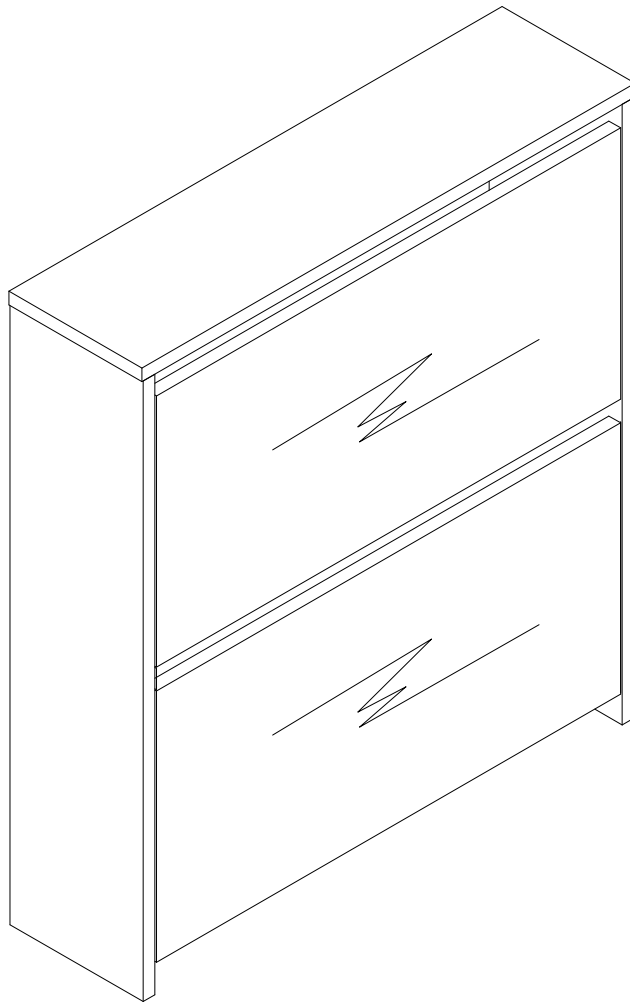


# RAFFIN



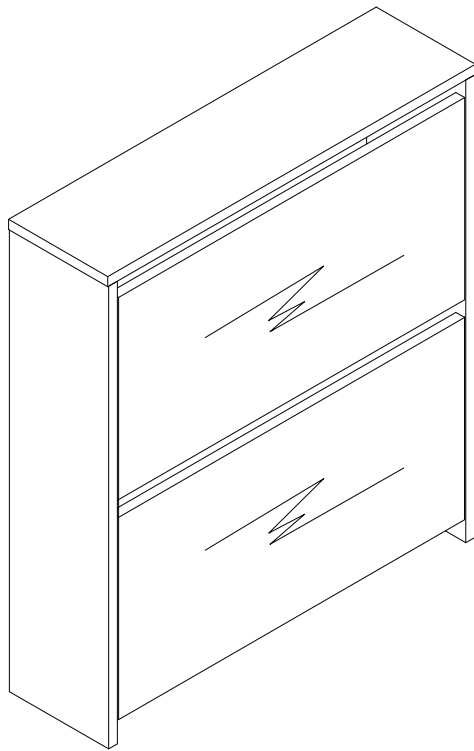
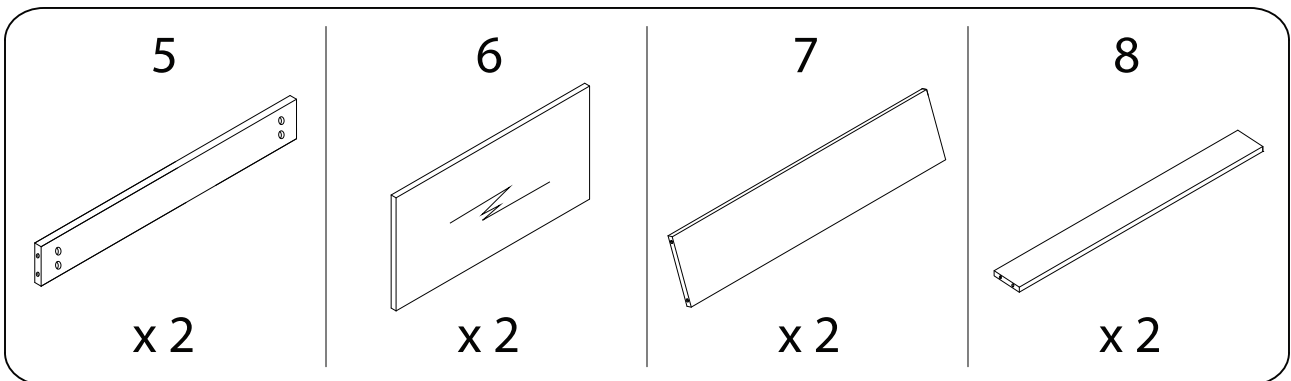
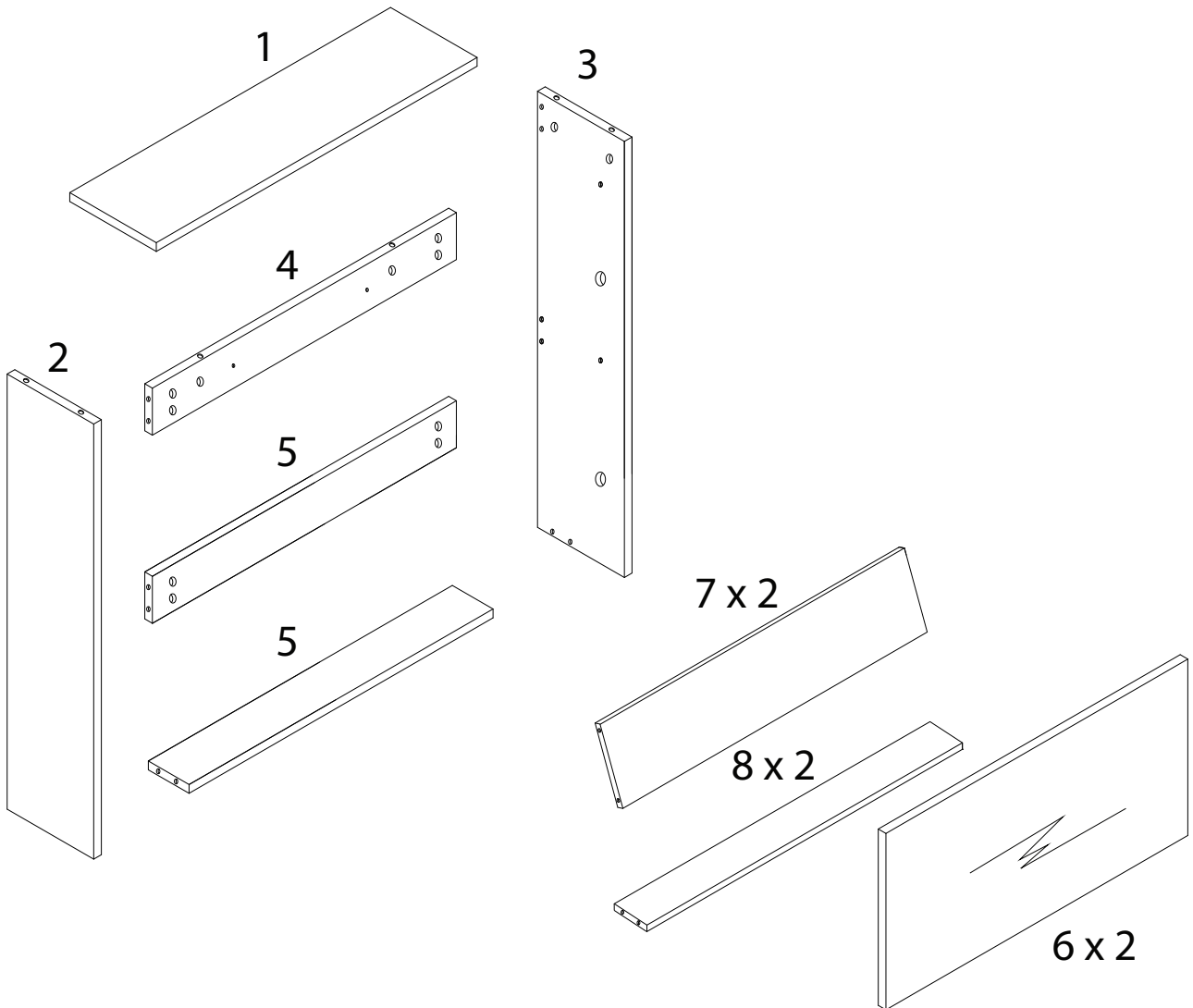
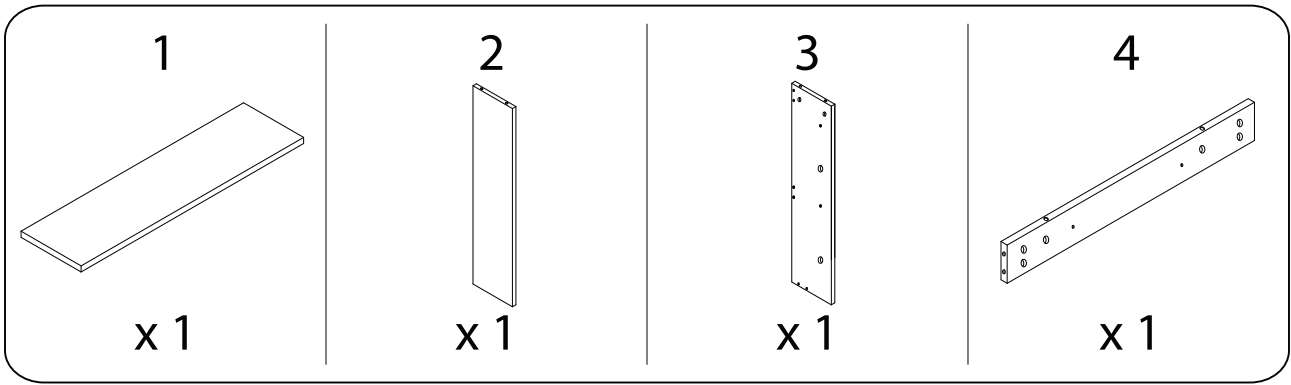


Diagram illustrating assembly steps and safety warnings:

- Top Section:** Shows tools (screwdriver, hammer, and power drill) and a warning triangle with an exclamation mark. To the right is a clock icon and the text "60'", indicating a 60-minute assembly time.
- Bottom Section:** Shows a block being placed on a surface and a warning triangle with an exclamation mark. To the right is a person icon and the number "1", indicating that one person is required for this step.

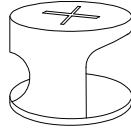


A1



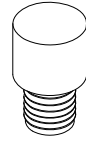
x 18

A2



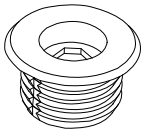
x 18

B



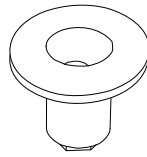
x 4

C



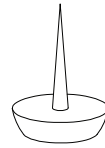
x 4

D



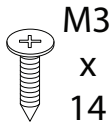
x 4

E



x 4

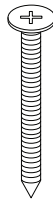
F



M3  
x  
14

x 32

G



M4  
x  
50

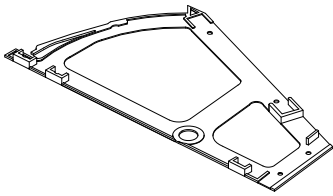
x 2

H



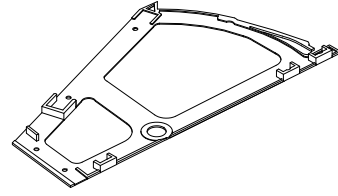
x 2

L



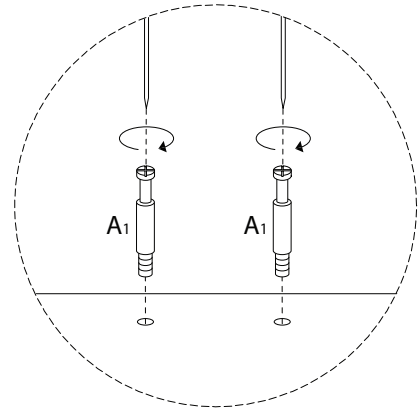
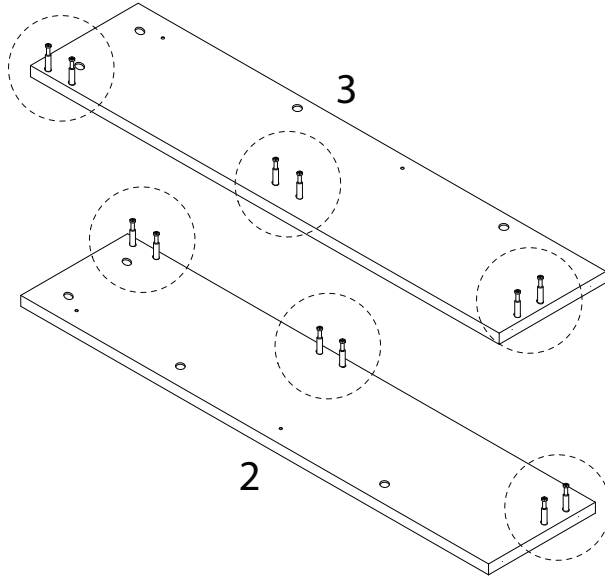
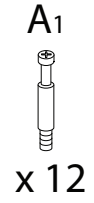
x 2

R

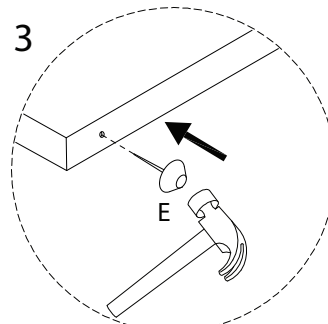
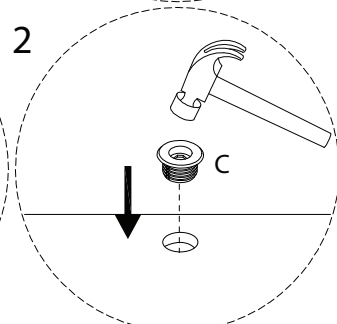
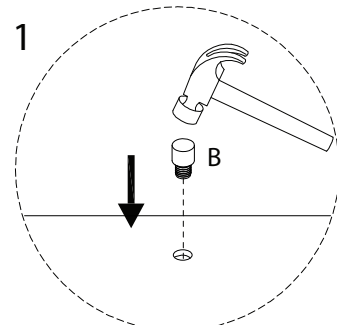
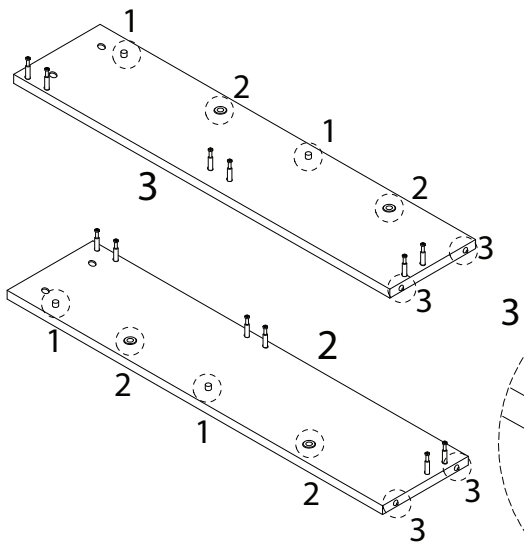
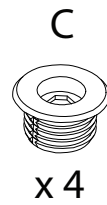
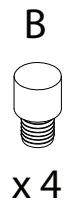


x 2

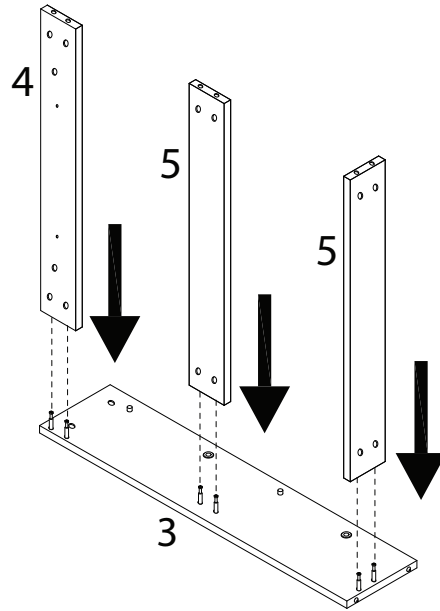
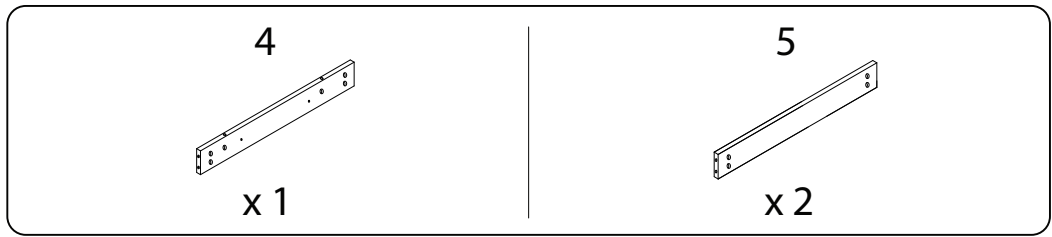
1



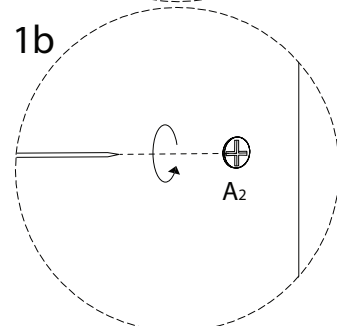
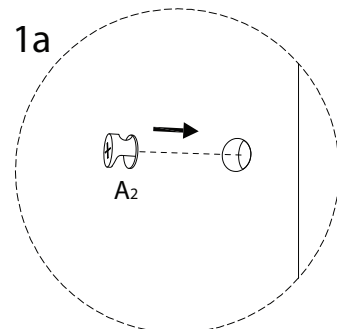
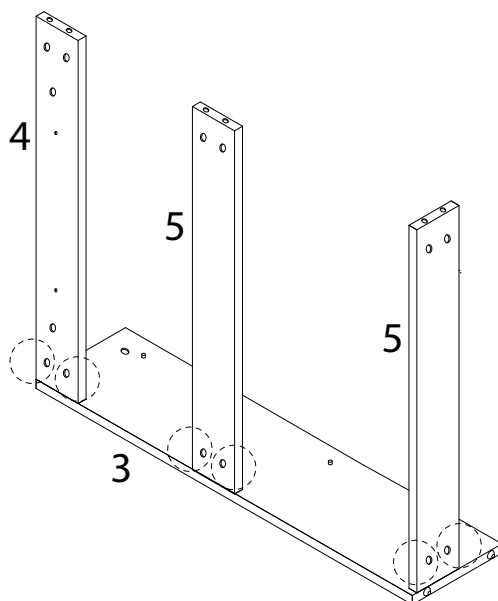
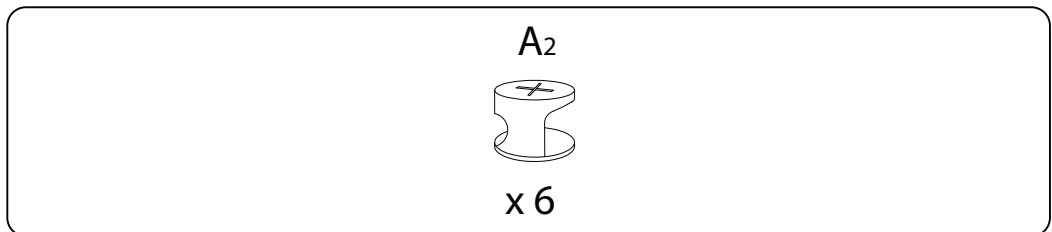
2



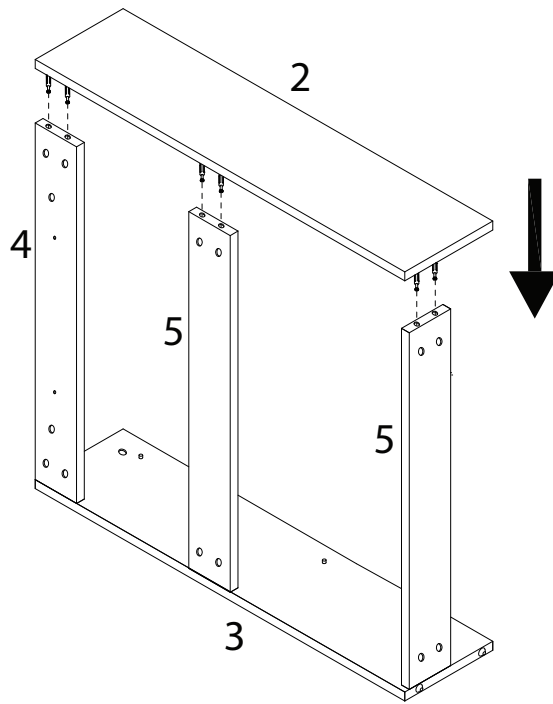
3



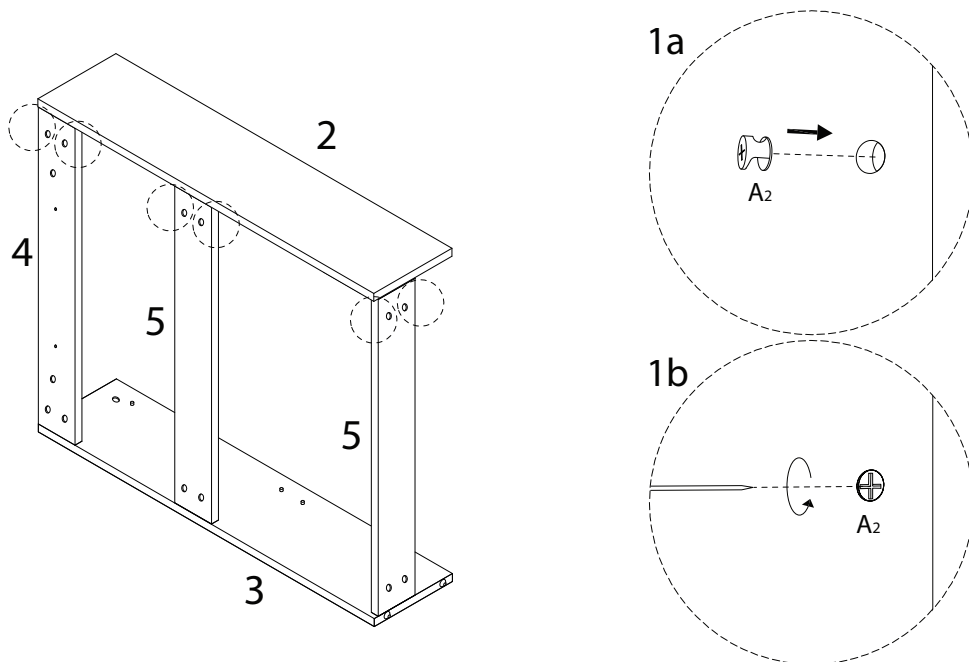
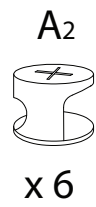
4



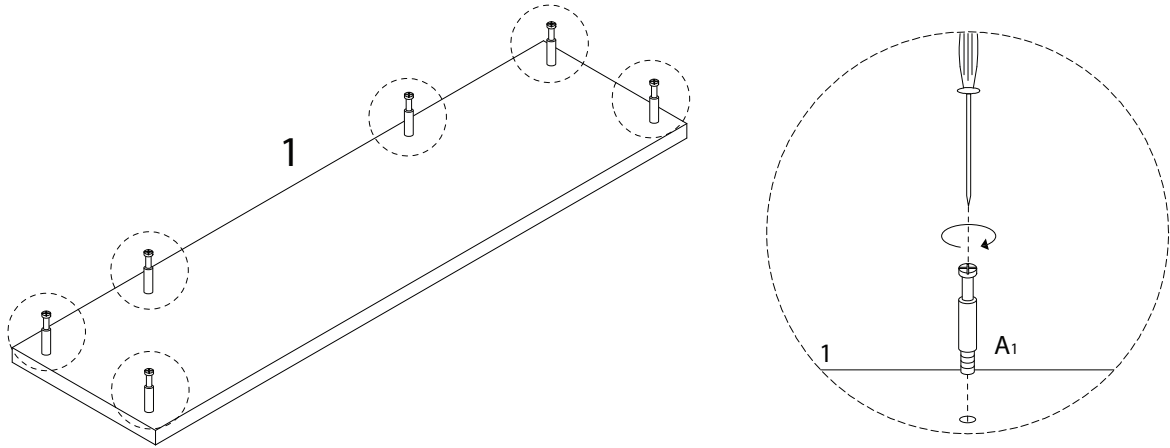
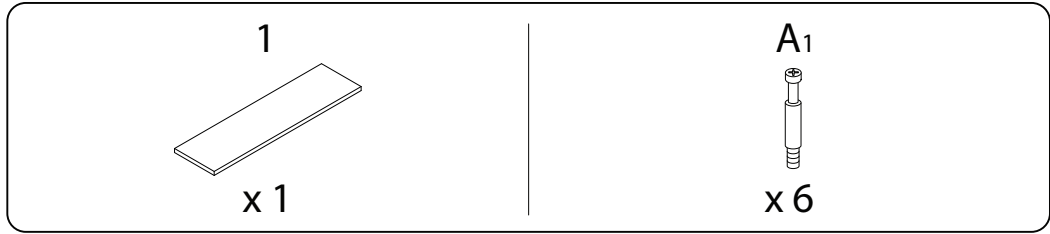
5



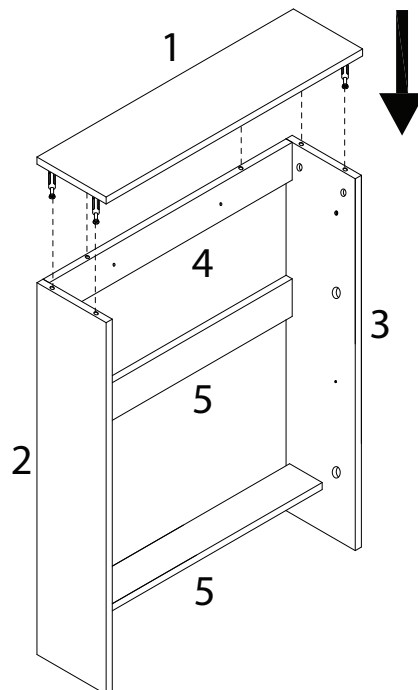
6



7



8



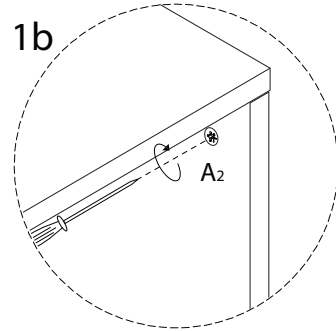
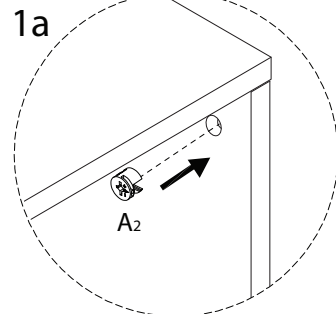
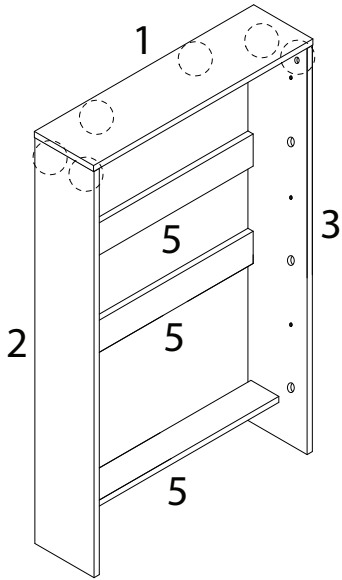


9

A<sub>2</sub>

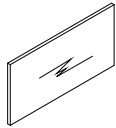


x 6



10 x 2

6



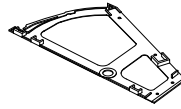
x 1

F



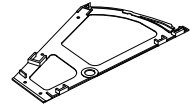
x 6

L

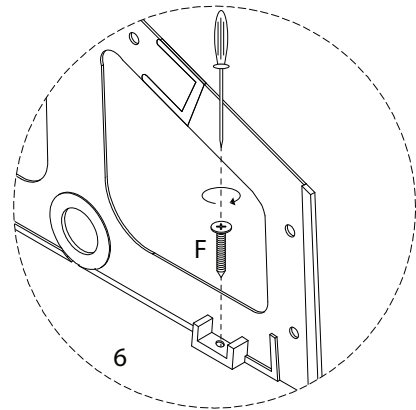
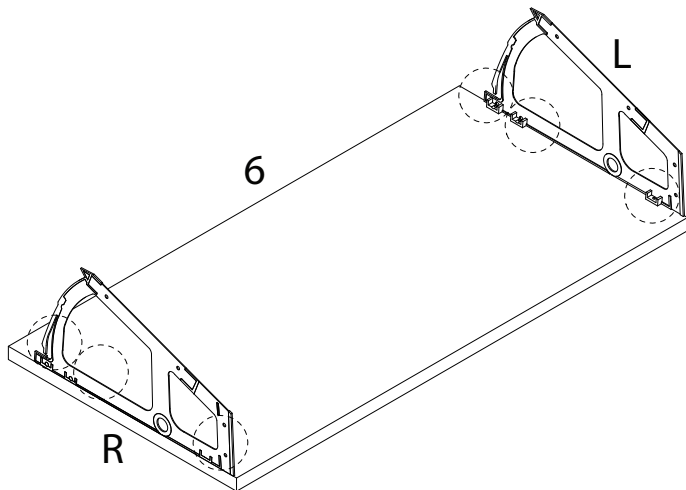


x 1

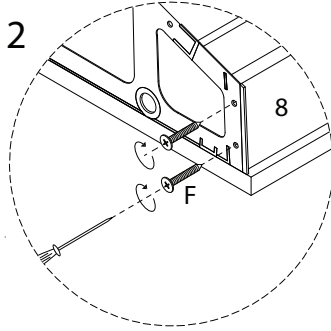
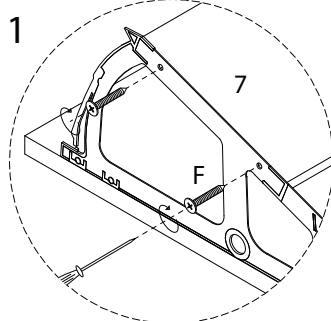
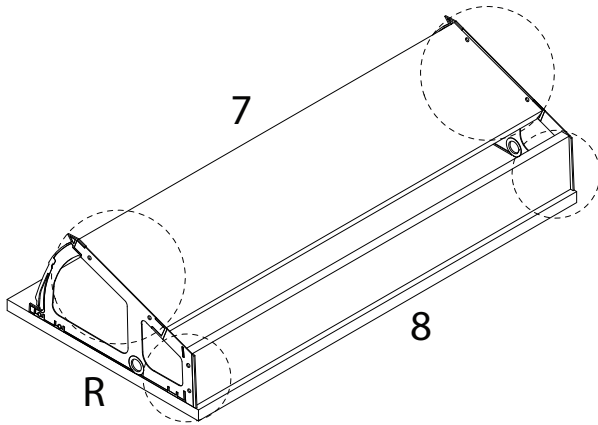
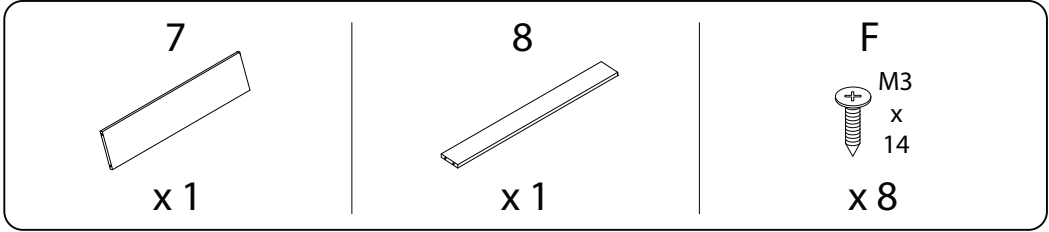
R



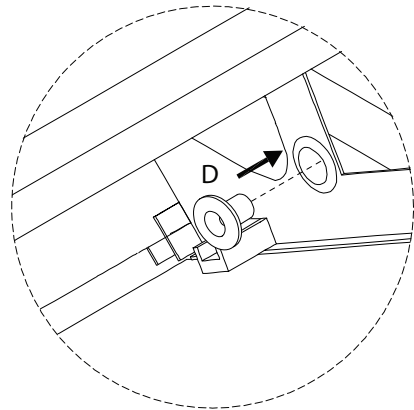
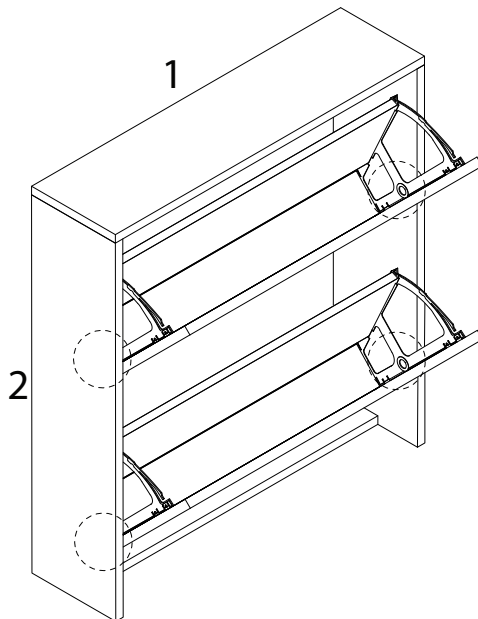
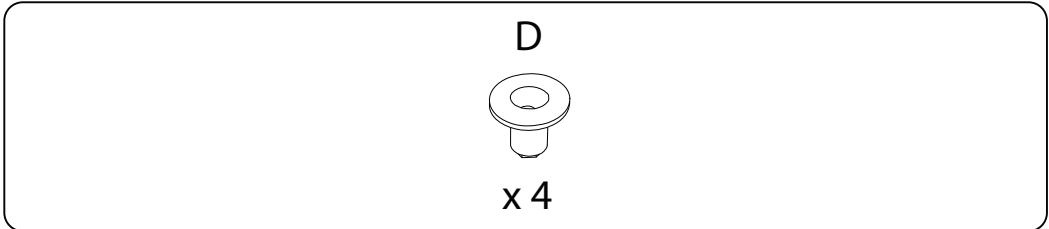
x 1



11 x 2

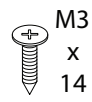


12

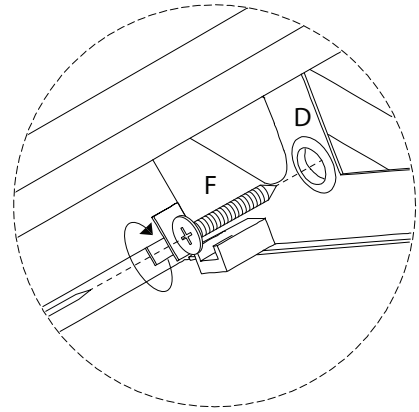
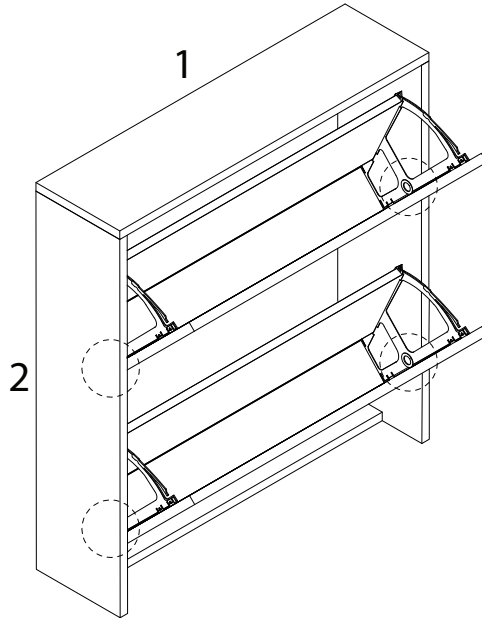


13

F

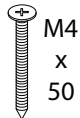


x 4



14

G



x 2

H



x 2

