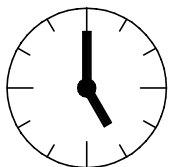
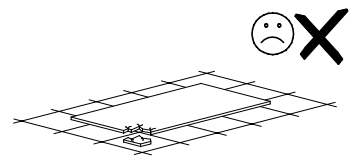
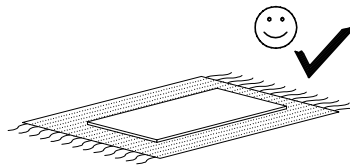
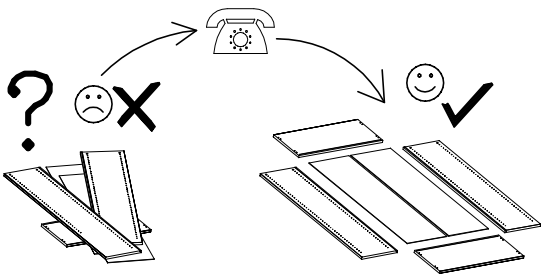
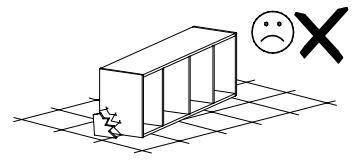
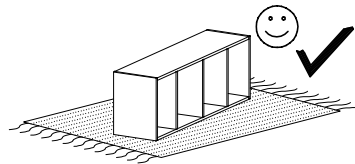
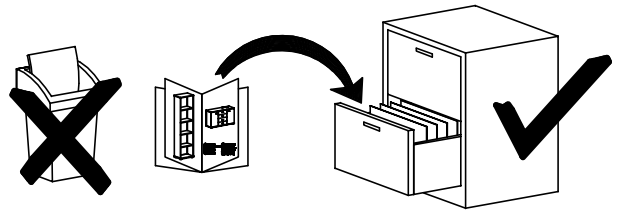
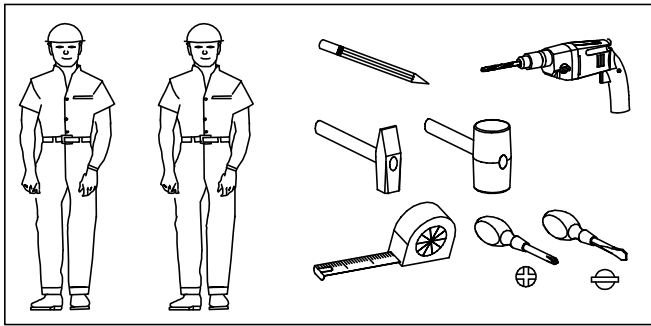
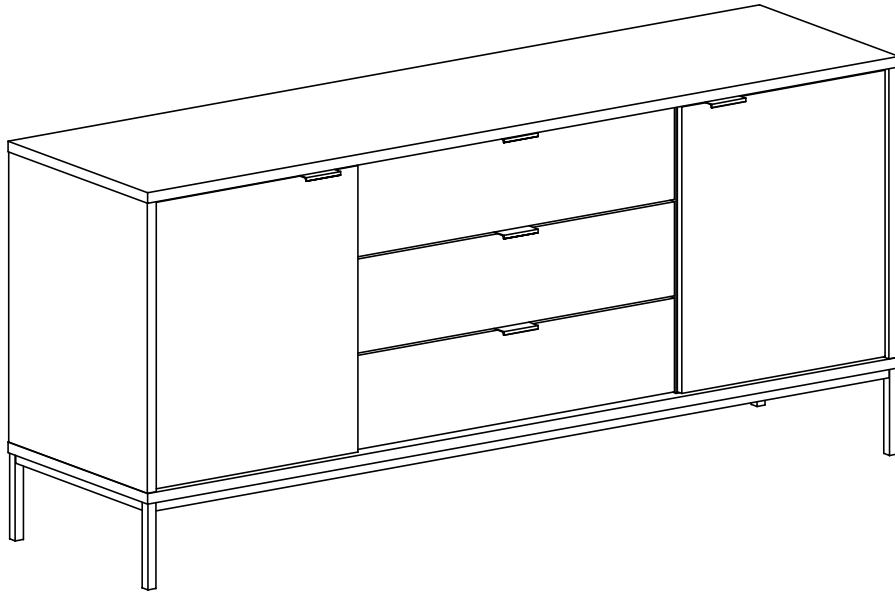
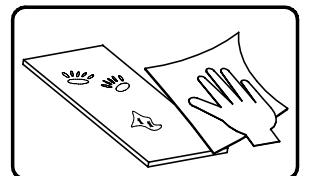
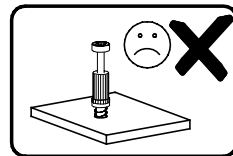
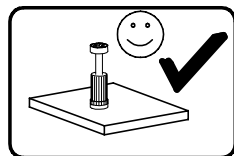


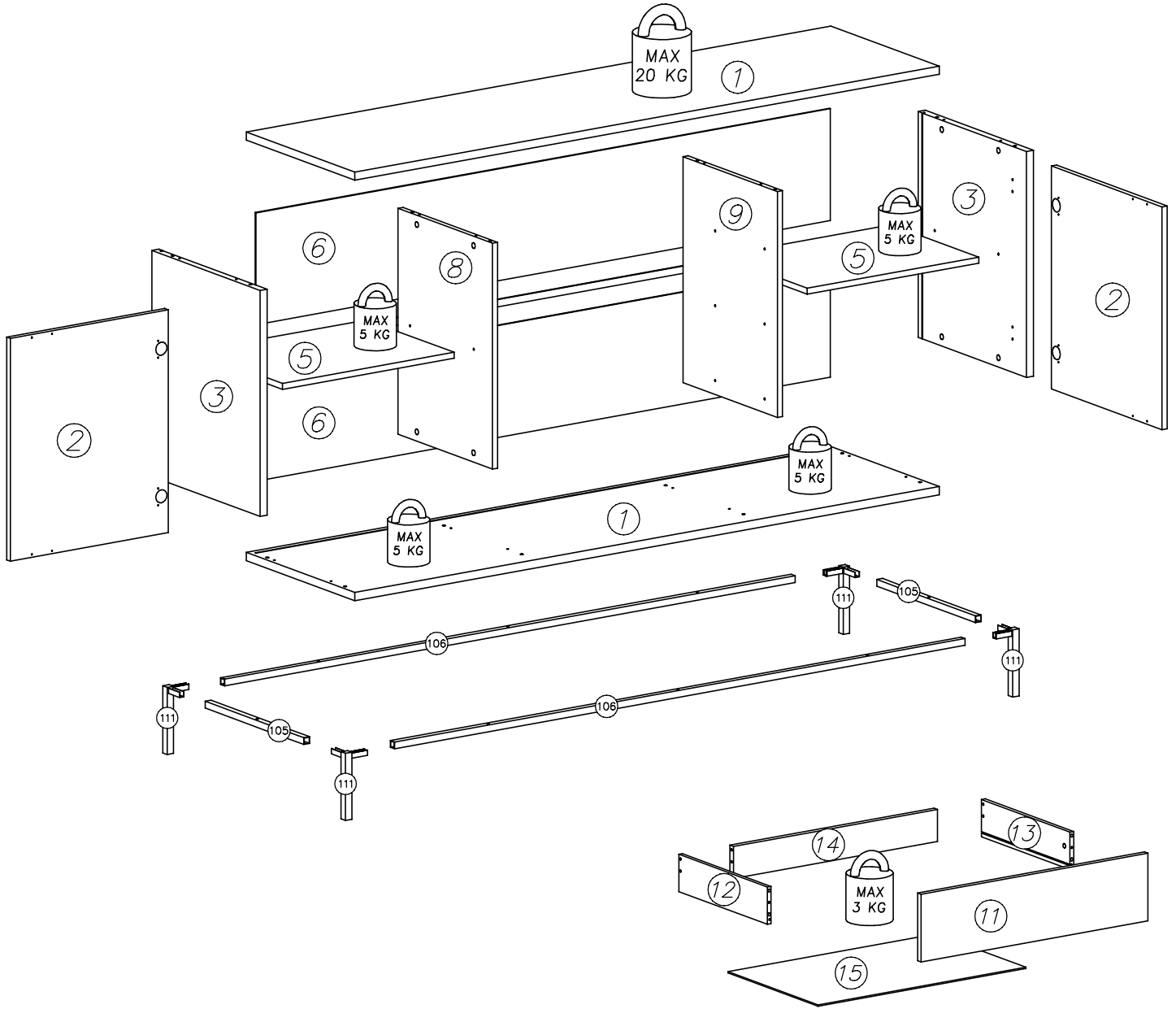
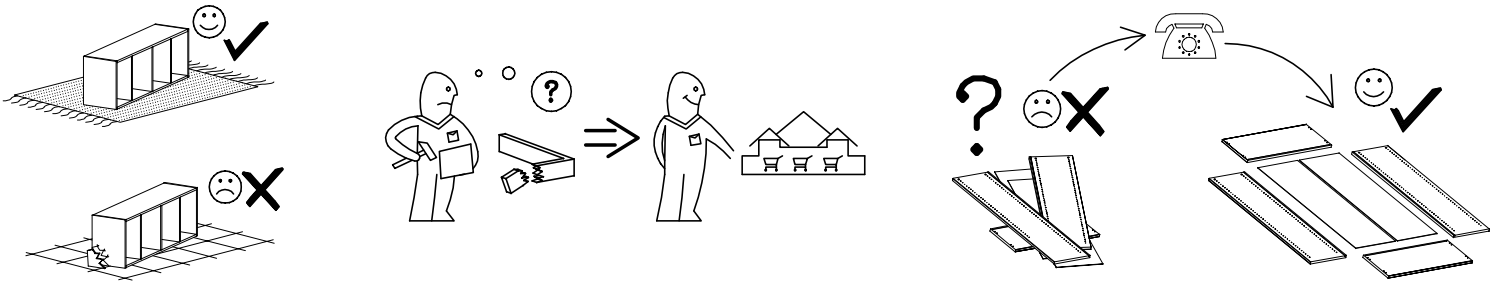
GOLD – sideboard 2D3S



2,5h



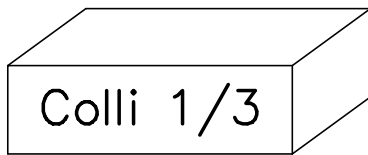
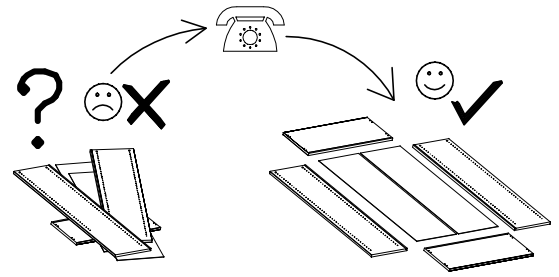
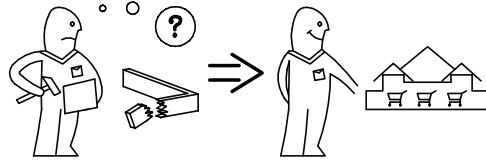
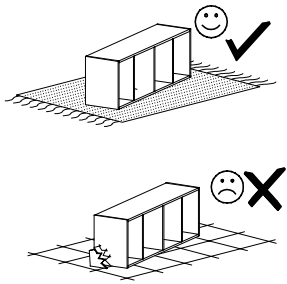
GOLD – sideboard 2D3S


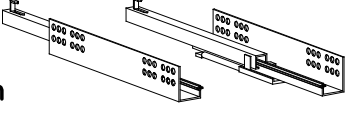



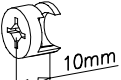


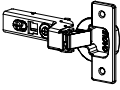
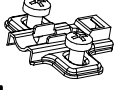
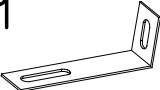
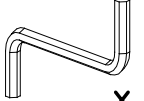

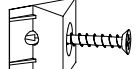
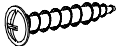
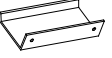

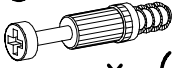

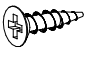
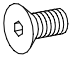



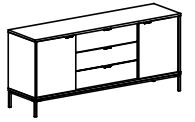
nr	L[mm]	W[mm]	T[mm]	QTY	Colli
1	1850	490	22	2	2/3
2	598	500	16	2	1/3
3	606	488	22	2	1/3
5	490	396	16	1	2/3
5	490	396	16	1	1/3
6	308	1816	3	2	2/3

nr	L[mm]	W[mm]	T[mm]	QTY	Colli
8	606	442	16	1	2/3
9	606	442	16	1	2/3
11	786	196	16	3	1/3
12	400	100	12	3	1/3
13	400	100	12	3	1/3
14	752	86	16	3	1/3

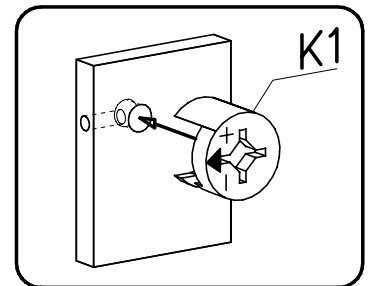
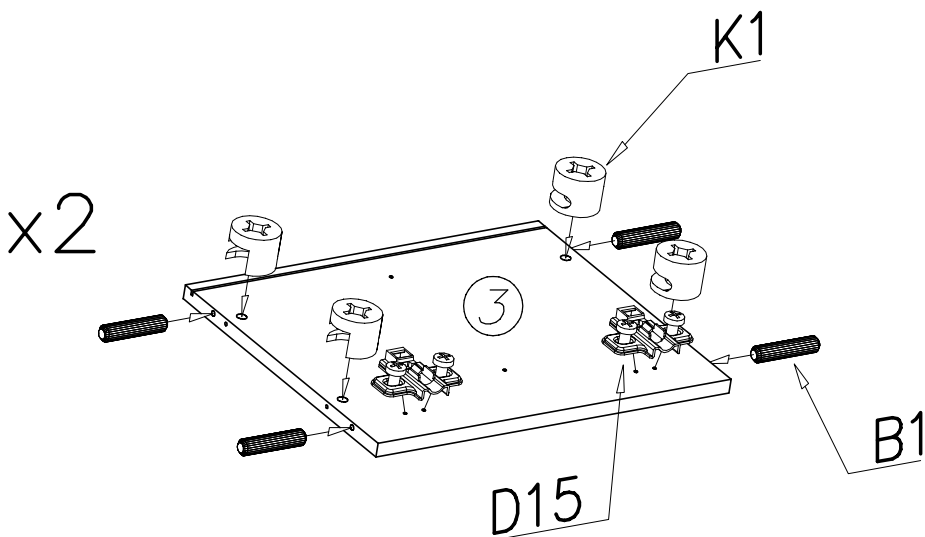
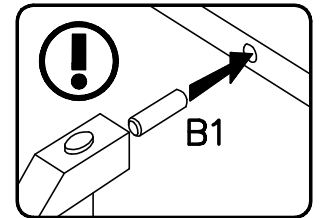
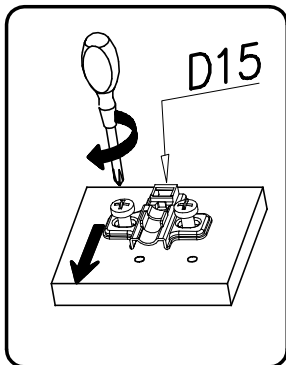
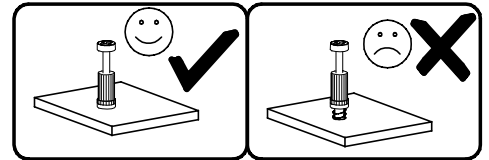
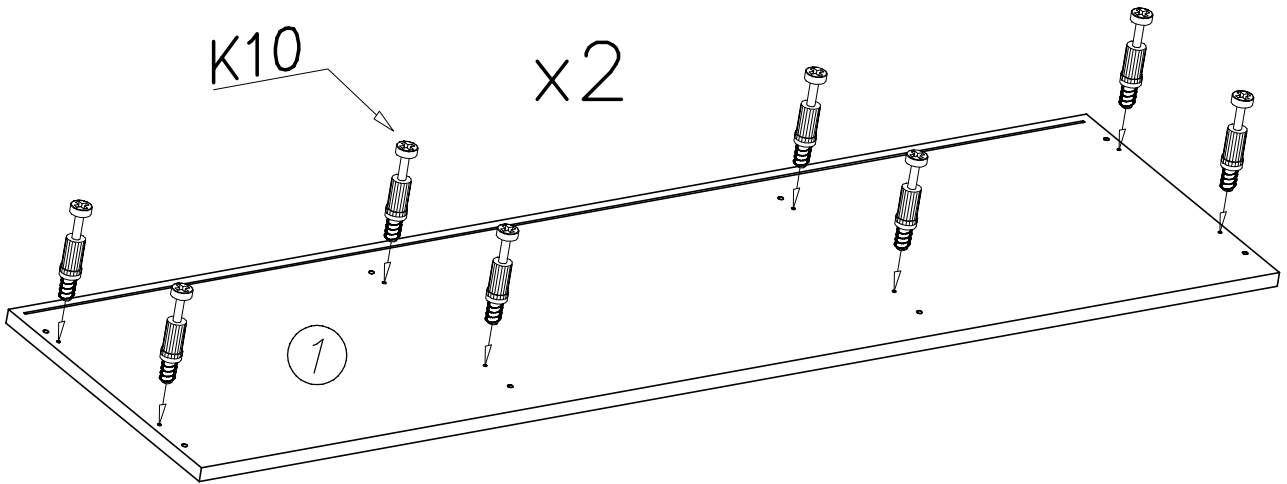
nr	L[mm]	W[mm]	T[mm]	QTY	Colli
15	762	406	3	3	1/3
105	446	18	18	2	3/3
106	1806	18	18	2	3/3
111	175	18	18	4	3/3

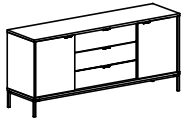


		M13  x...(3)		H14 400mm  x...(3)	
F2  x...(8)	S1 1802mm  x...(1)	A6  ø7x40 x...(12)	K4  ø12x10 10mm x...(6)	G50  6x13 x...(12)	
I7  ø18 x...(16)	C15 Z35CL  x...(4)	D15  PZ35CL x...(4)	M11  x...(2)	W2  x...(1)	
K1  ø15x12 x...(16)	I1  x...(18)	G8  Black/Schwarz 4x30 x...(8)	E97  64mm x...(5)	R5  x...(4)	
K10  x...(22)	B1  ø8x35 x...(16)	G34  3,5x16 x...(65)	N36  M5x10 x...(16)	W7  3mm x...(1)	

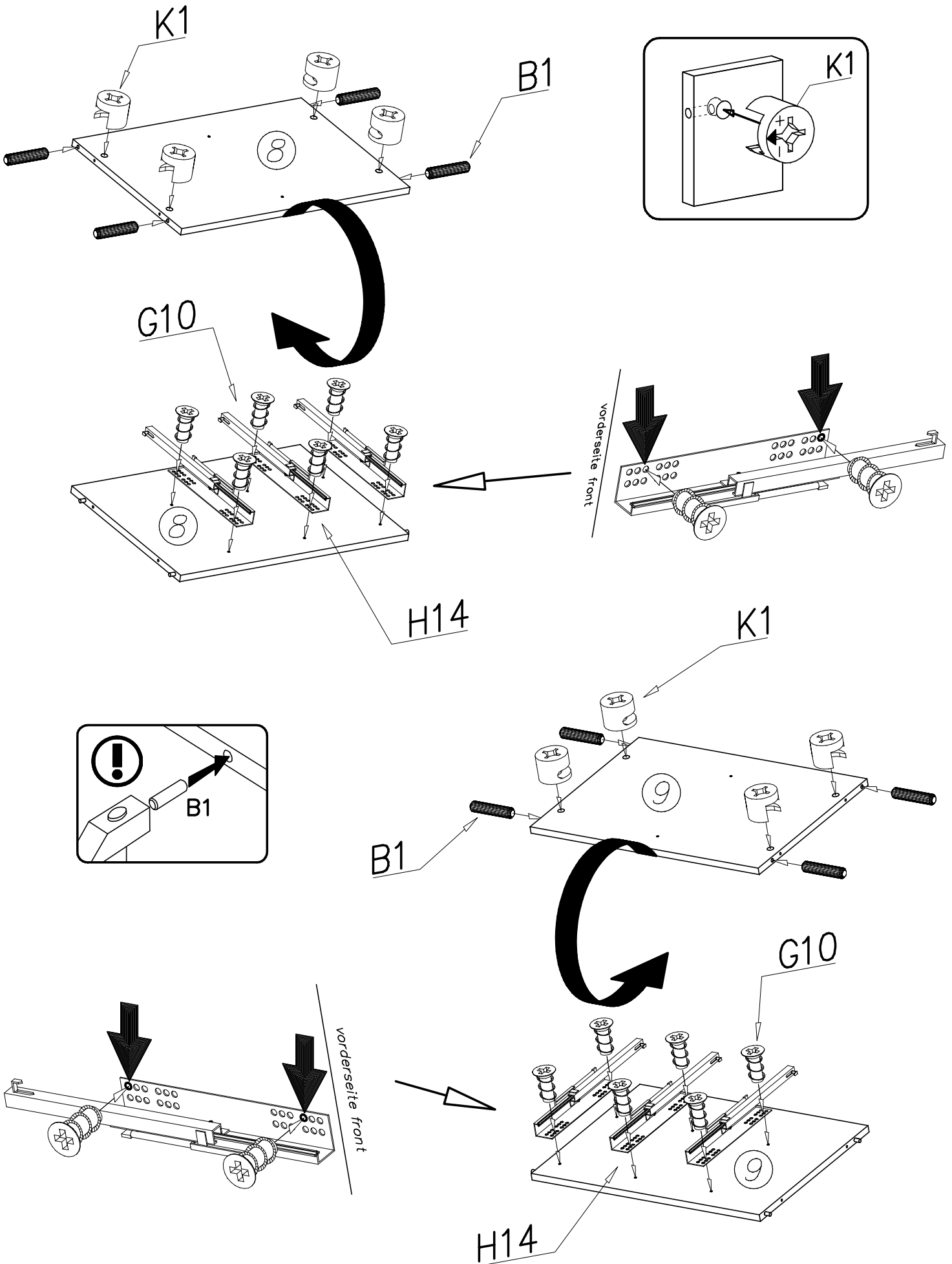


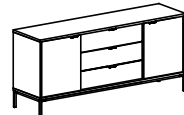
I



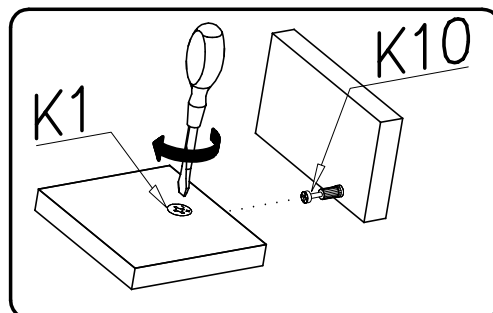
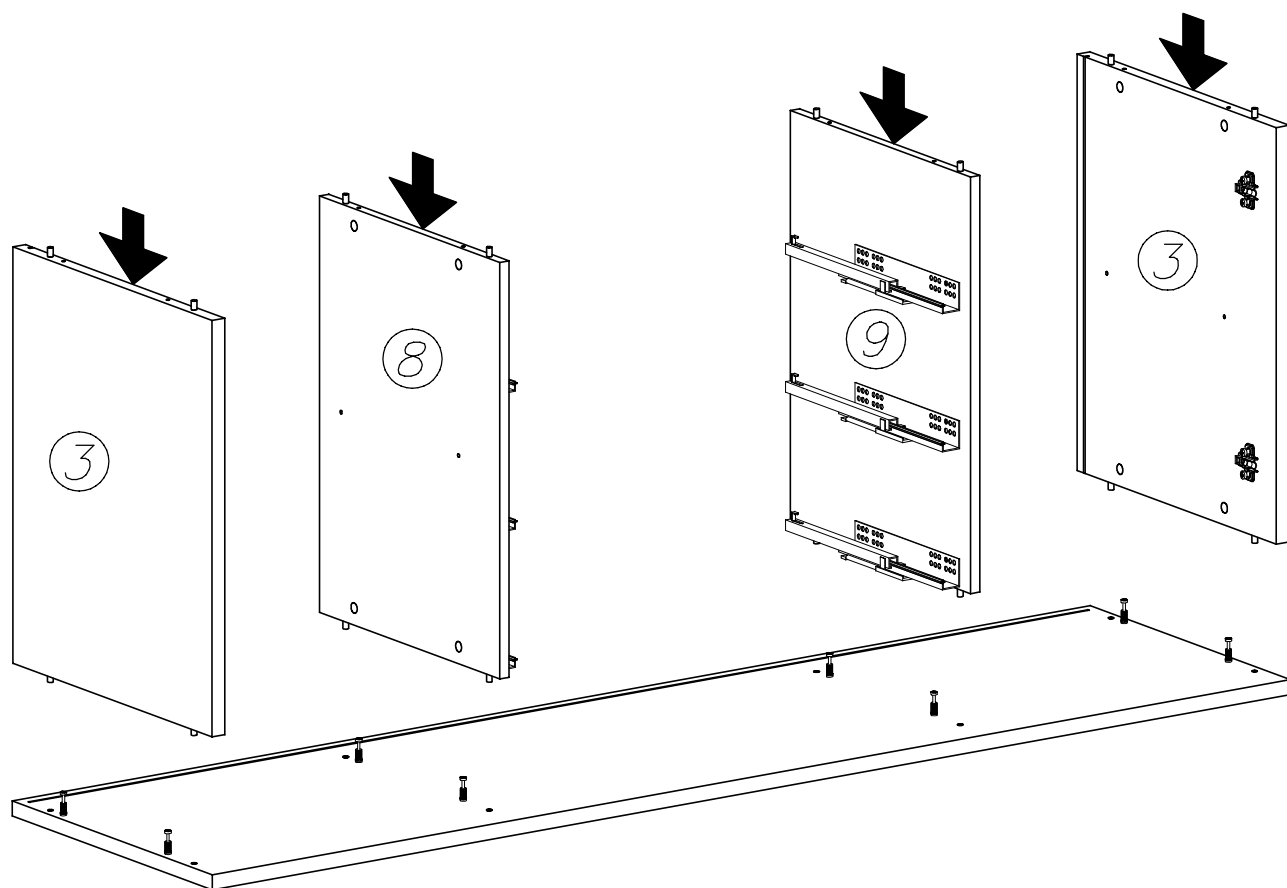


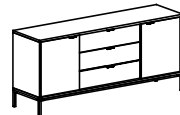
II



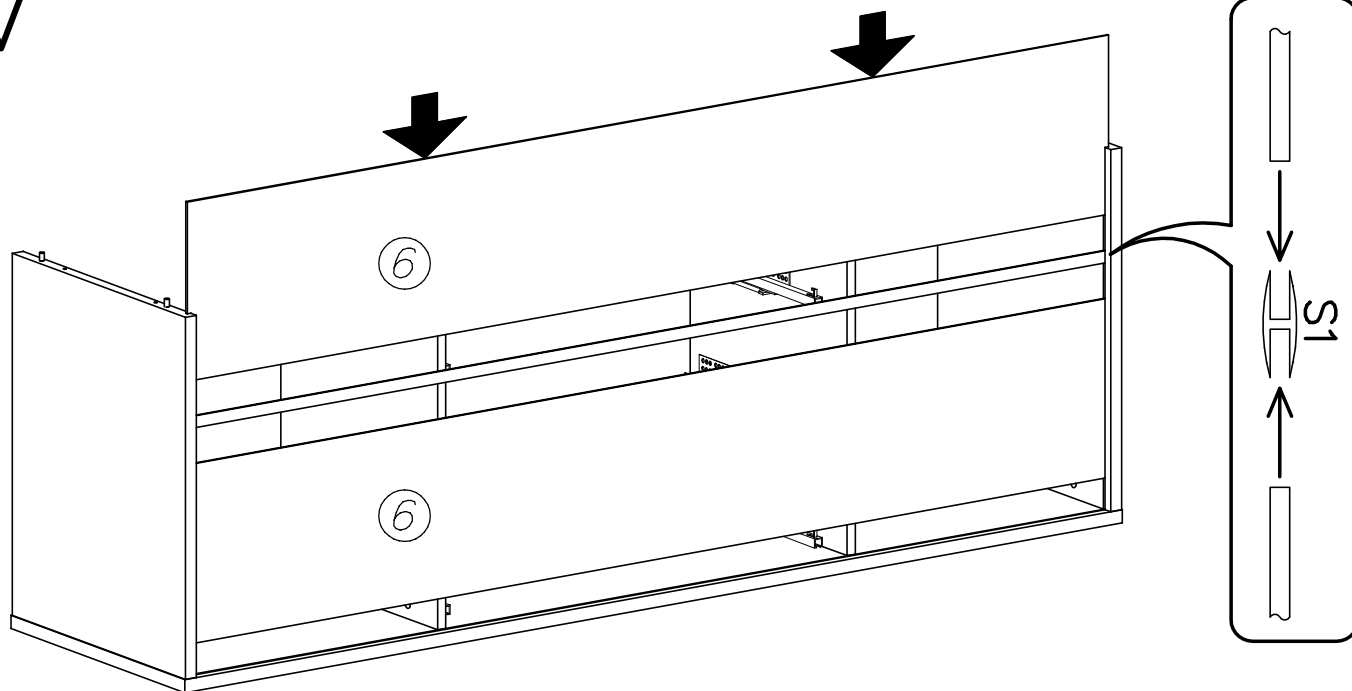


III

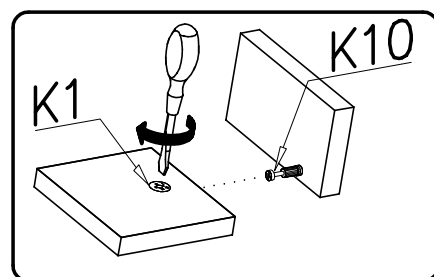
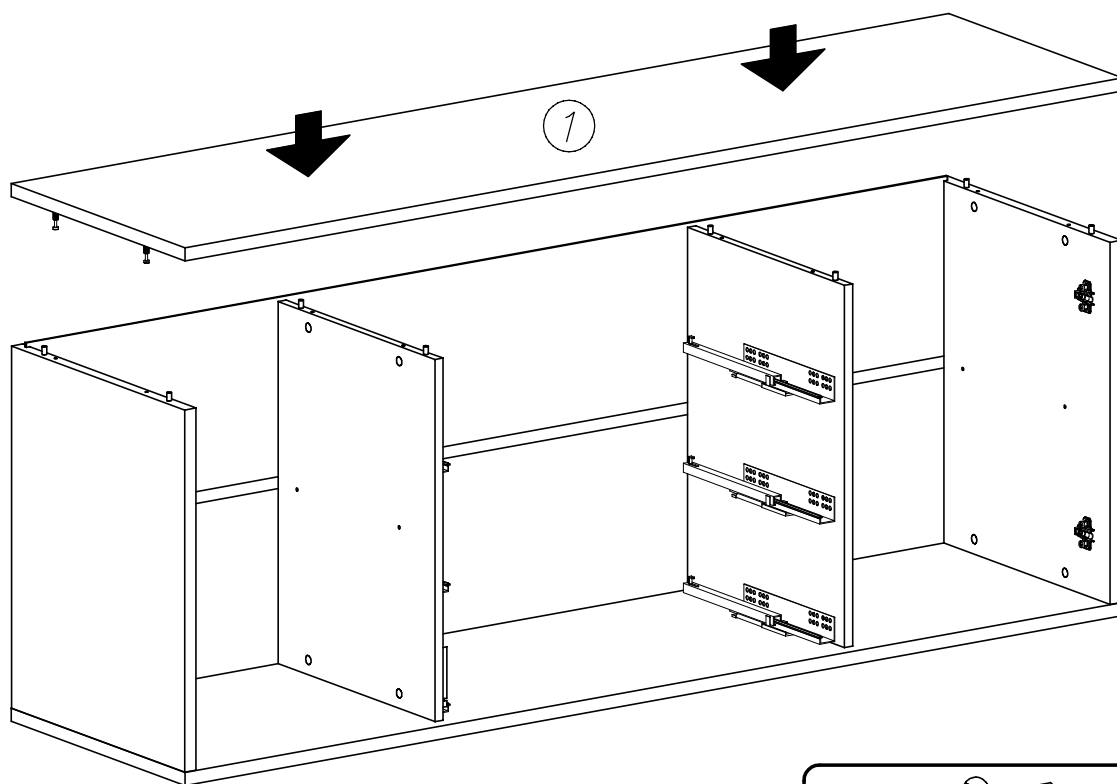


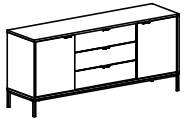


IV

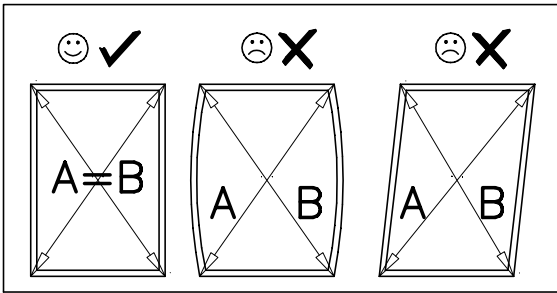
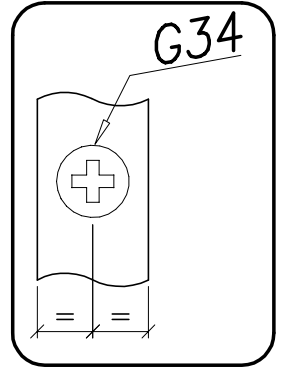


V

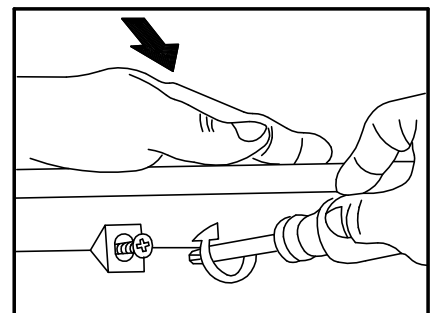
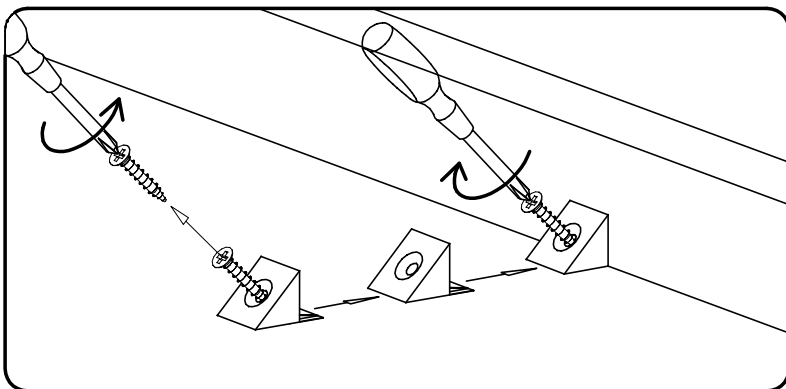
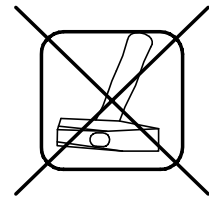
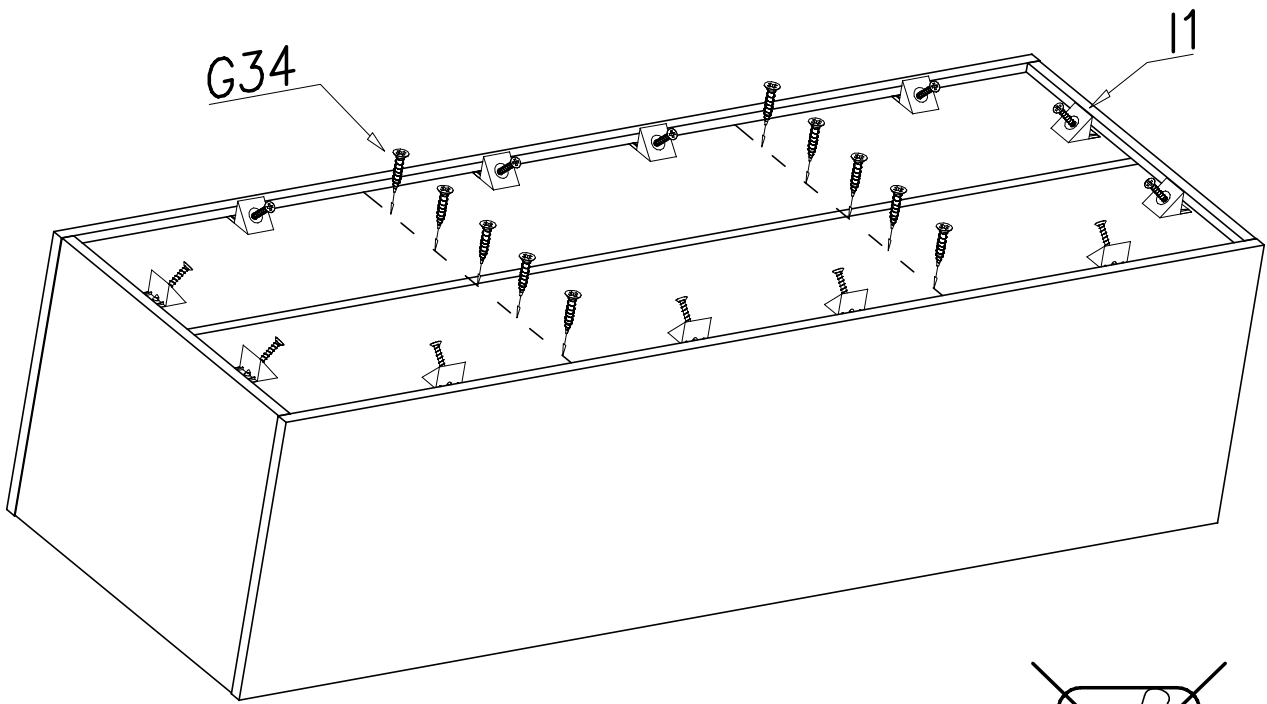
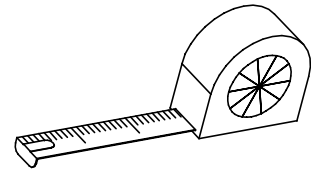


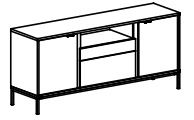


VI

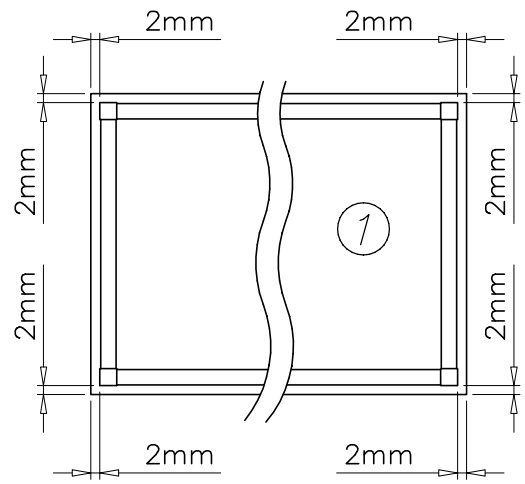
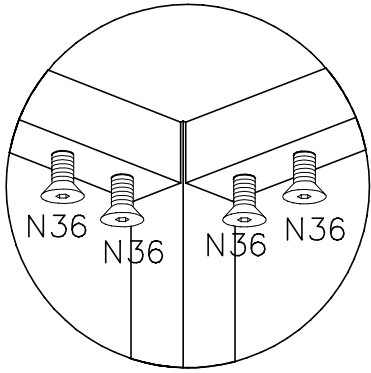
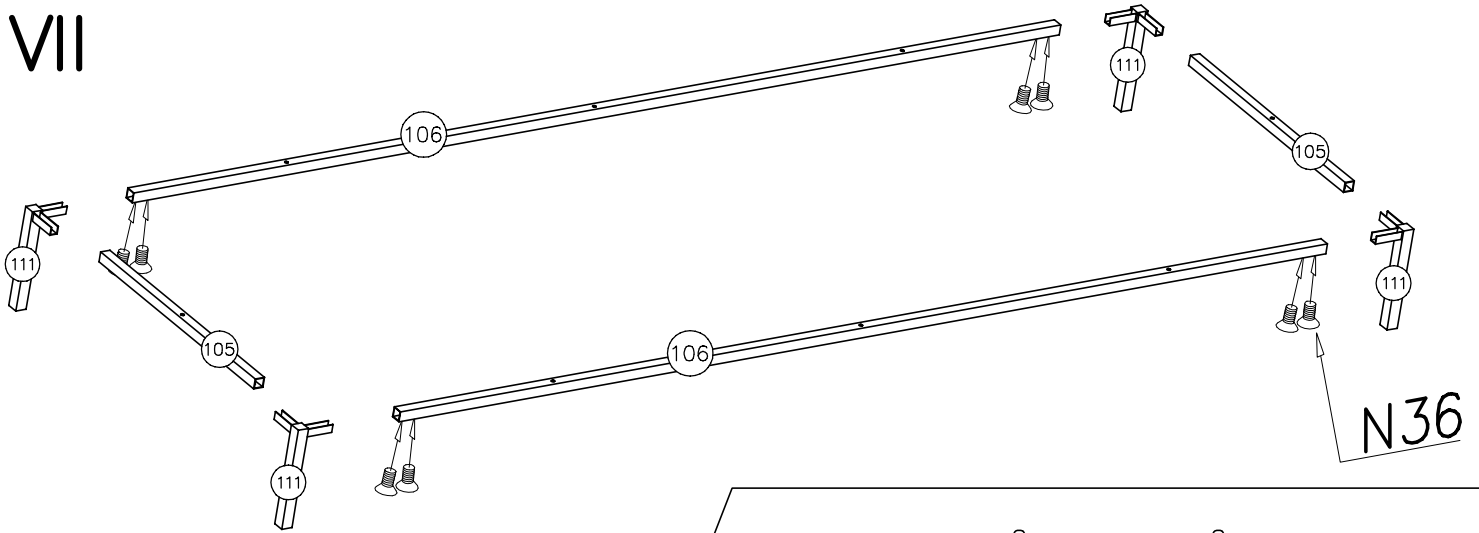


A = B

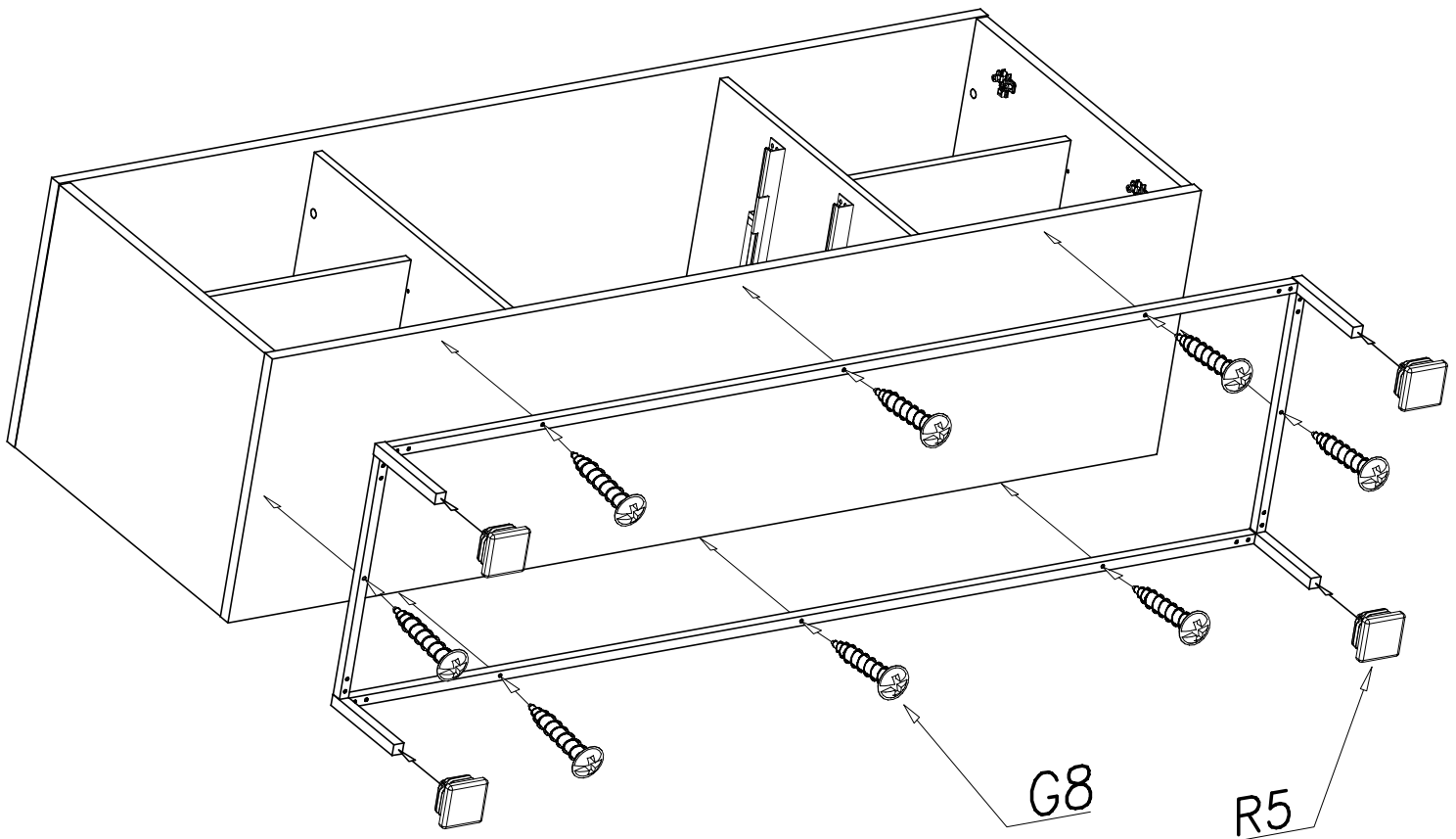


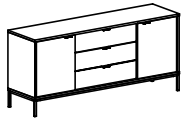


VII

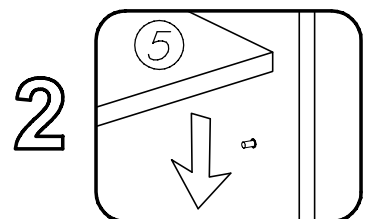
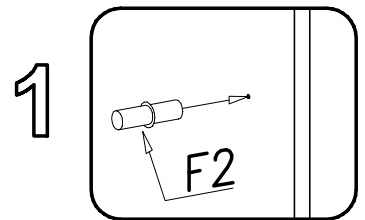
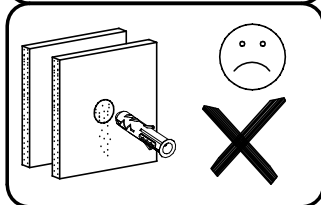
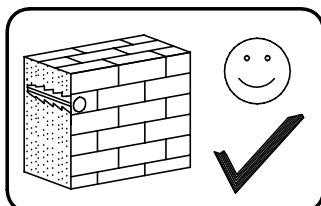
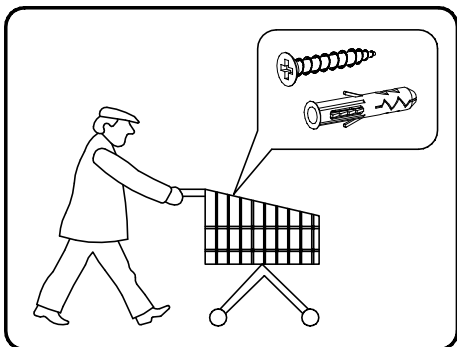
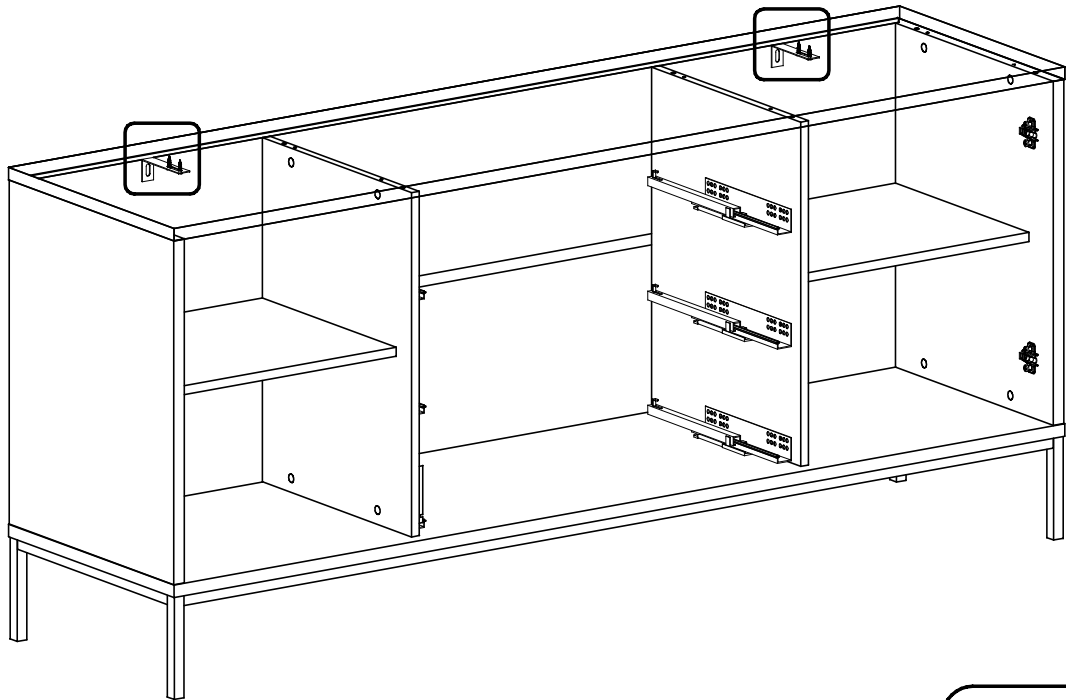
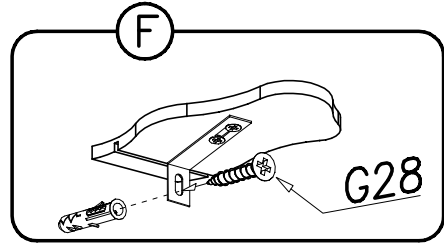
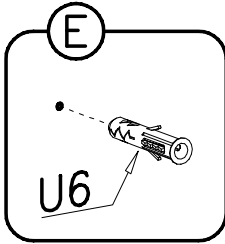
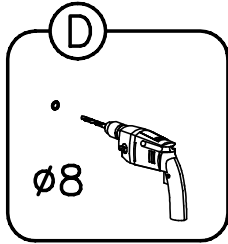
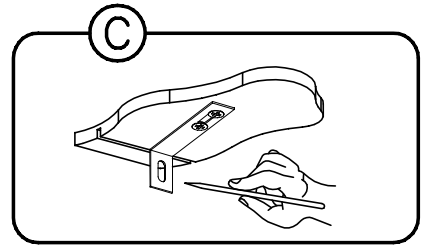
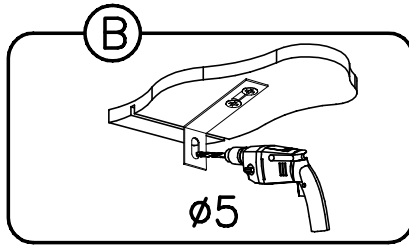
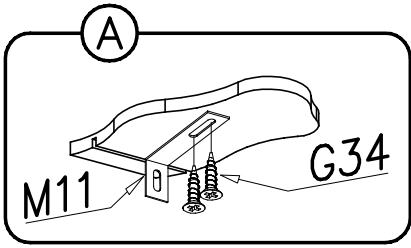


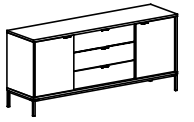
VIII



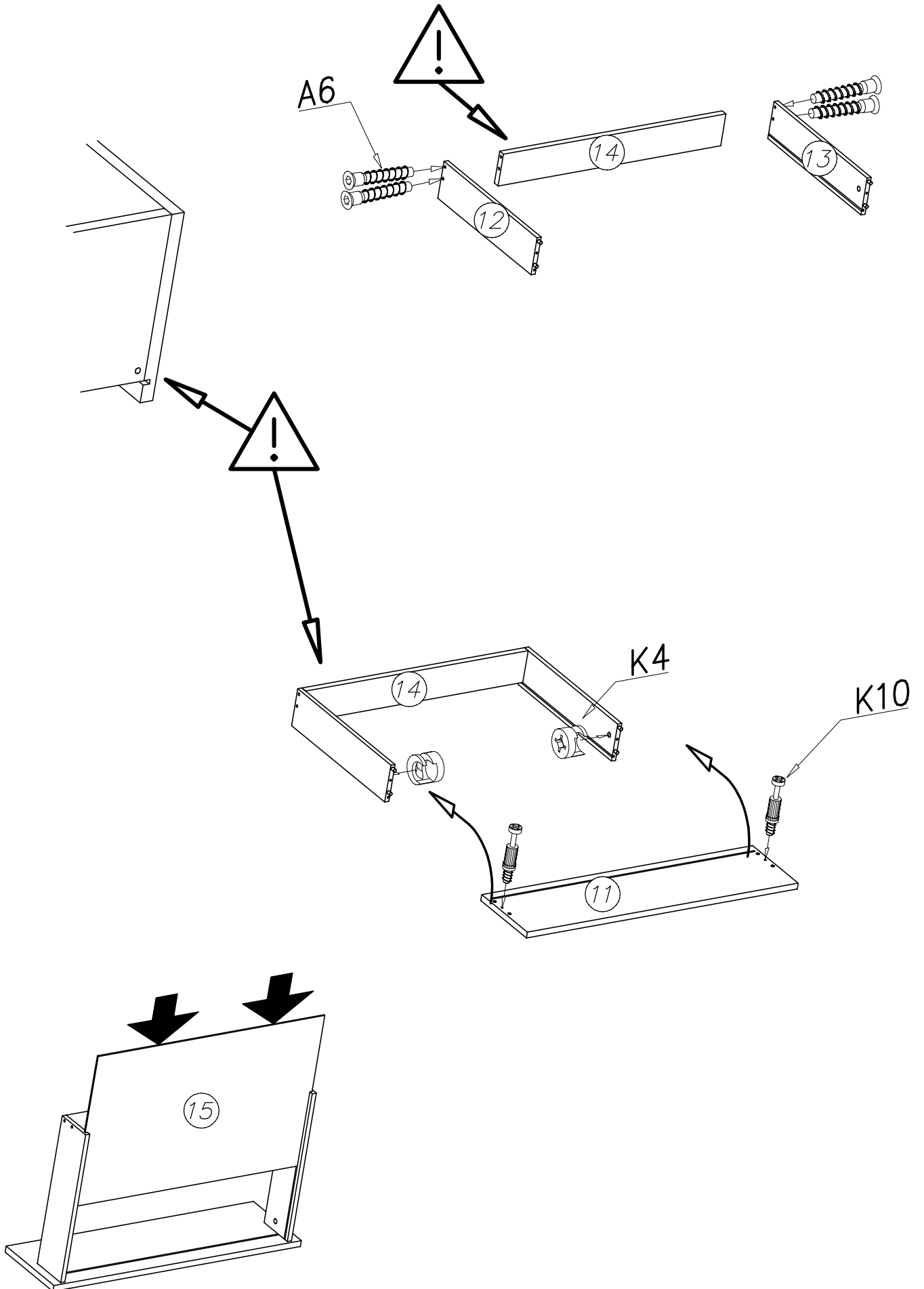


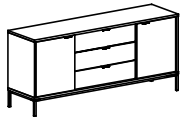
IX



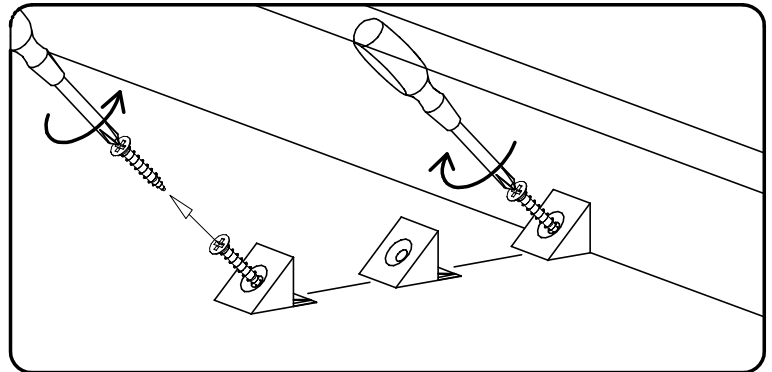
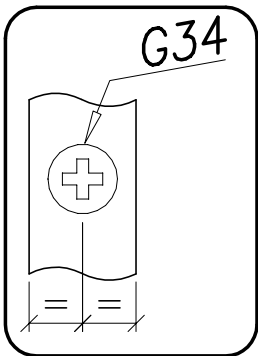
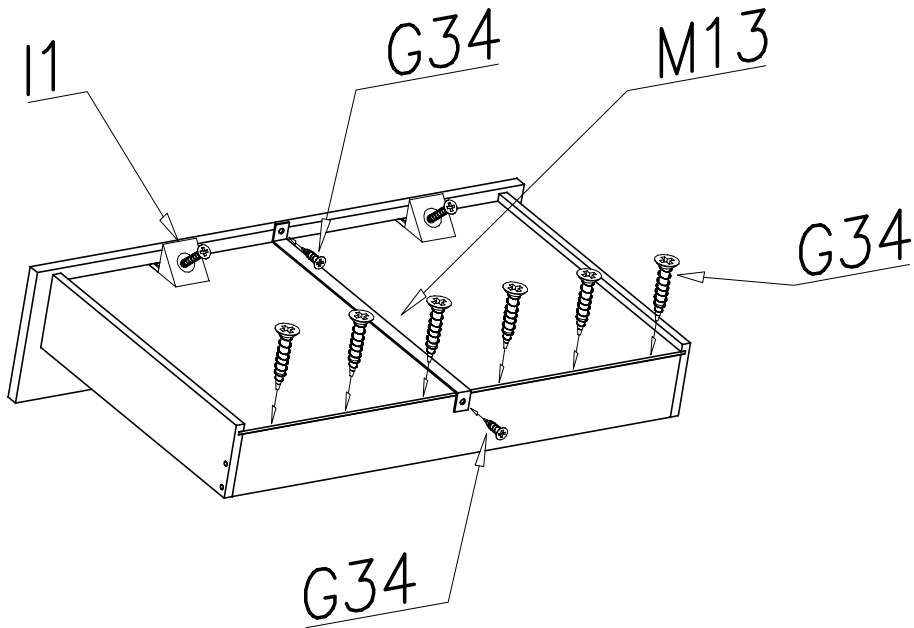
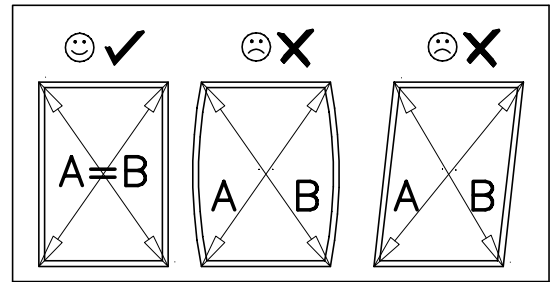


X

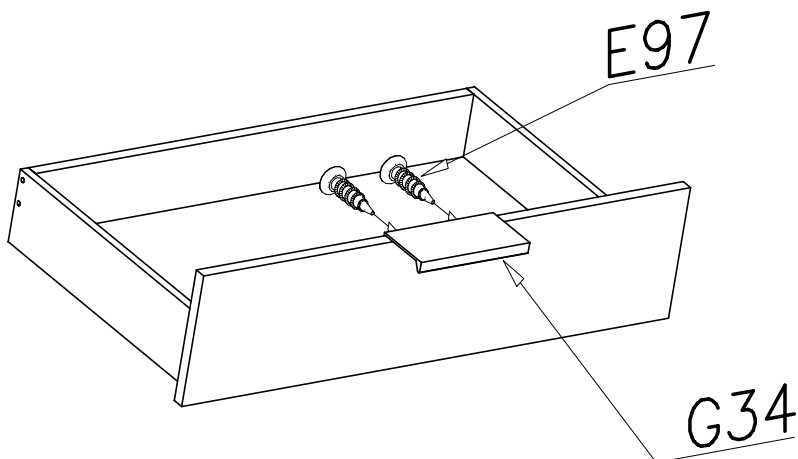


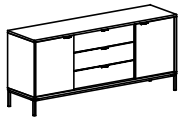


XI

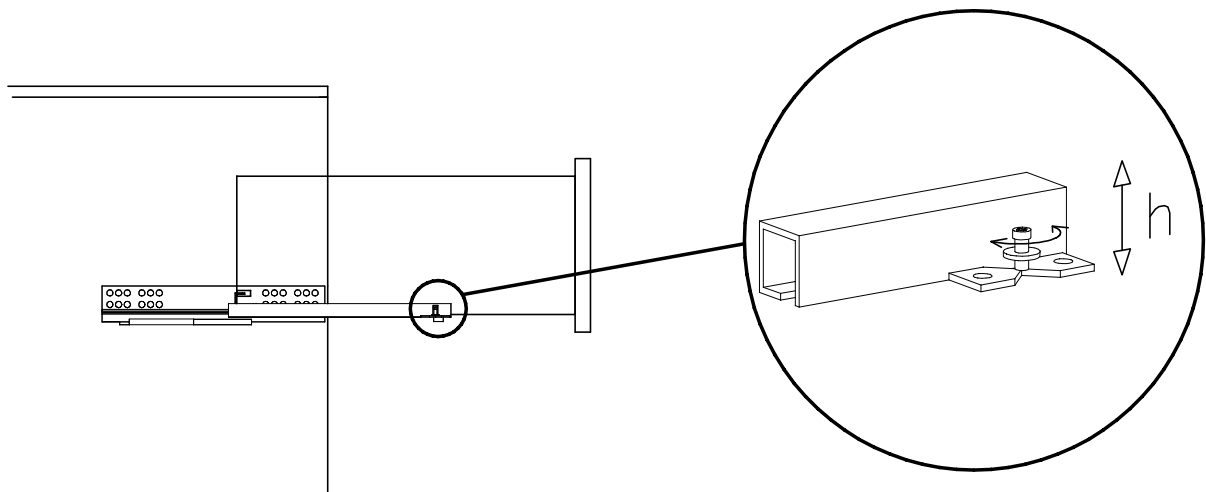
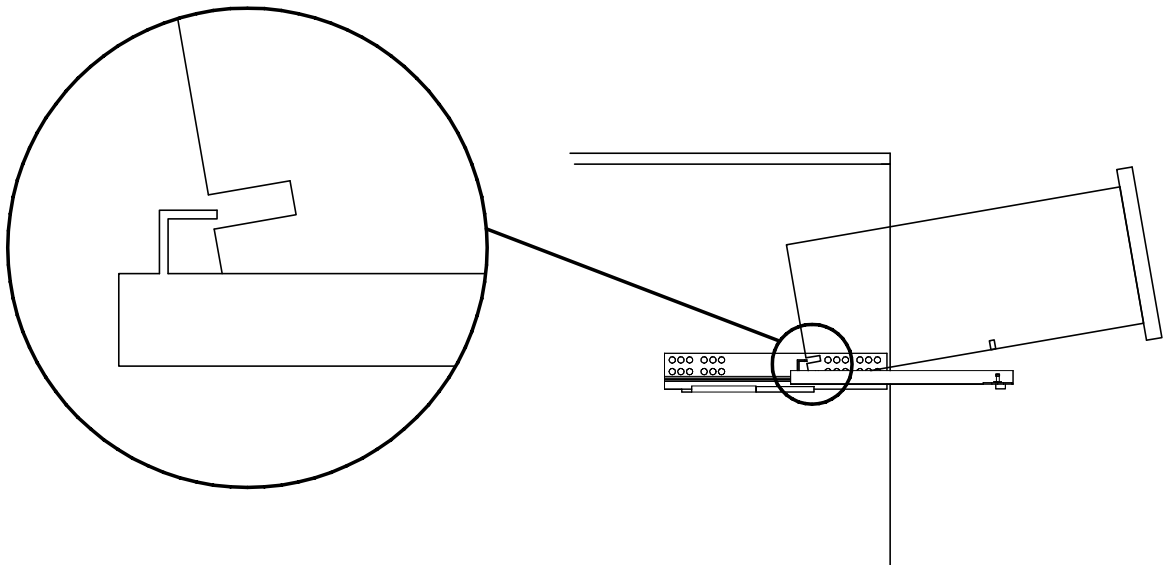
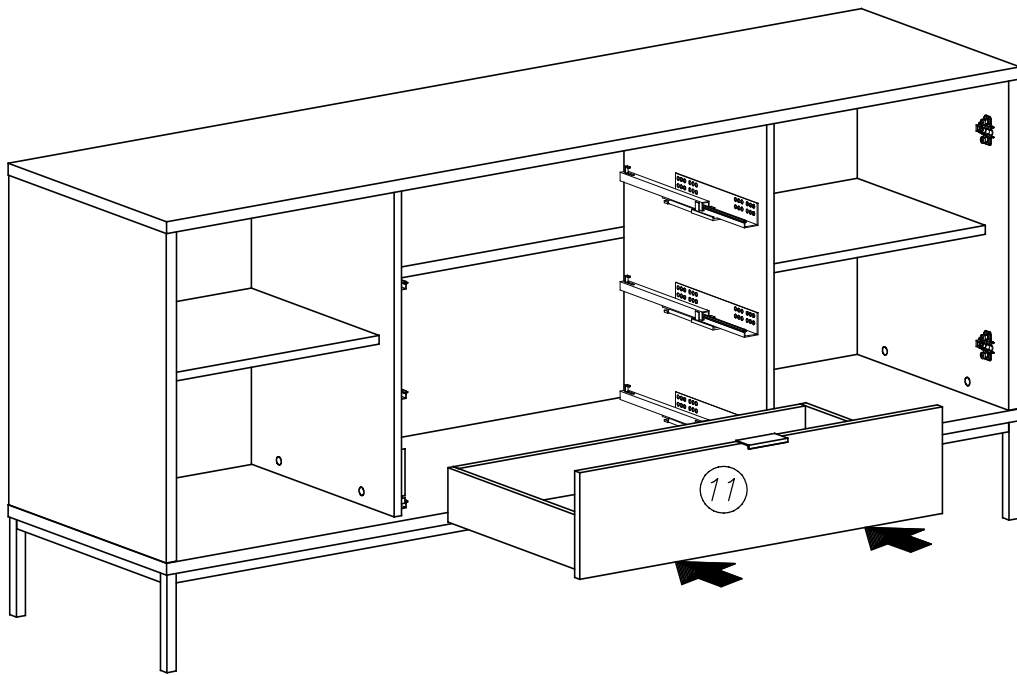


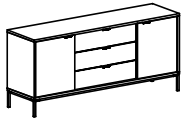
XII



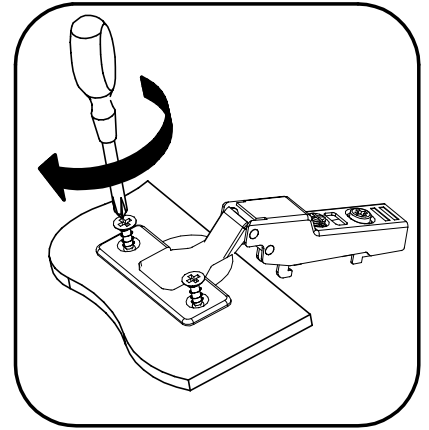
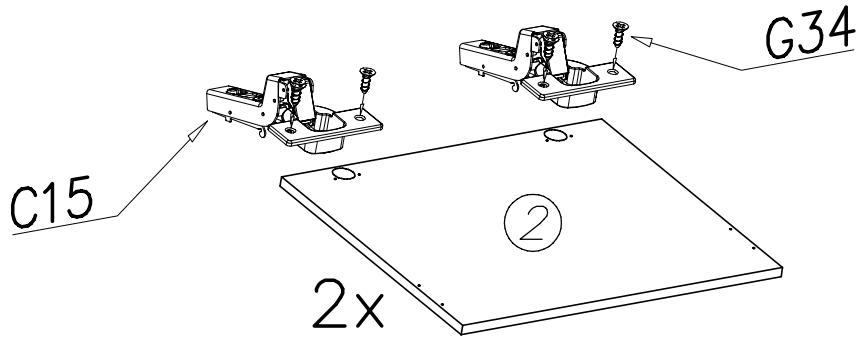


XIII

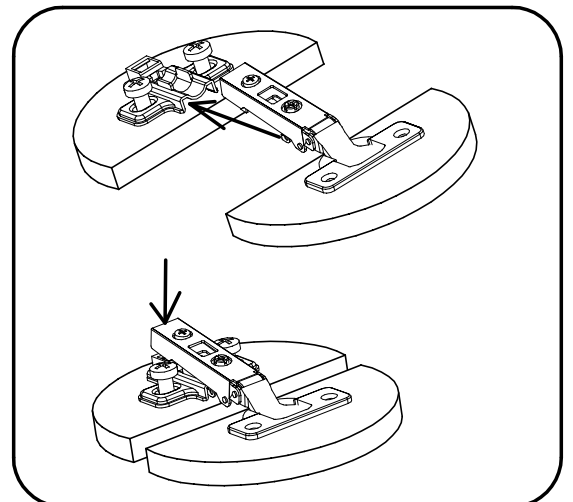
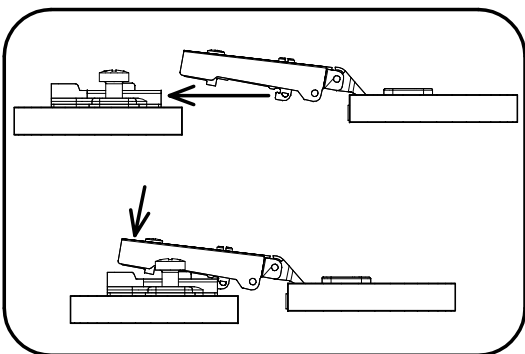
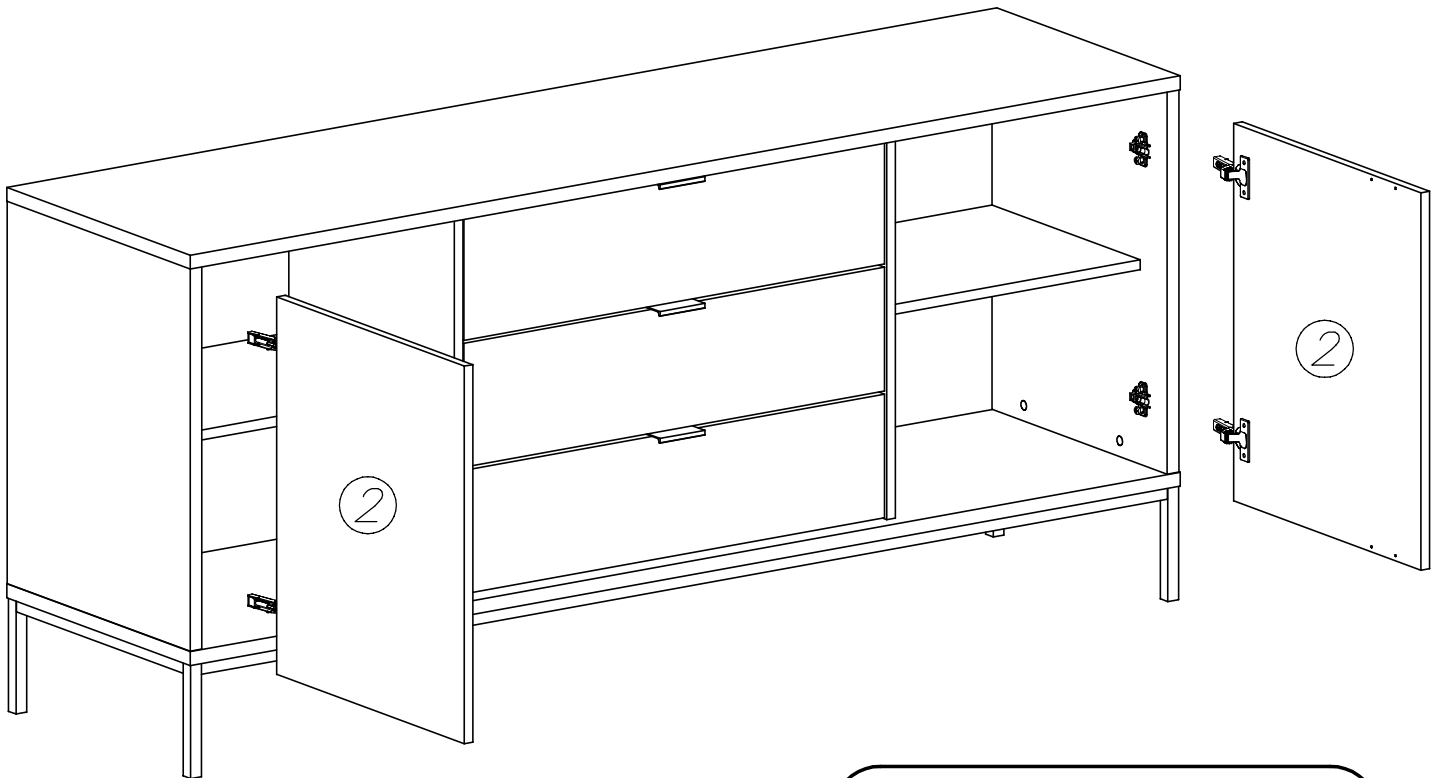


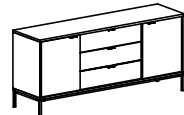


XIV



XV





XVI

