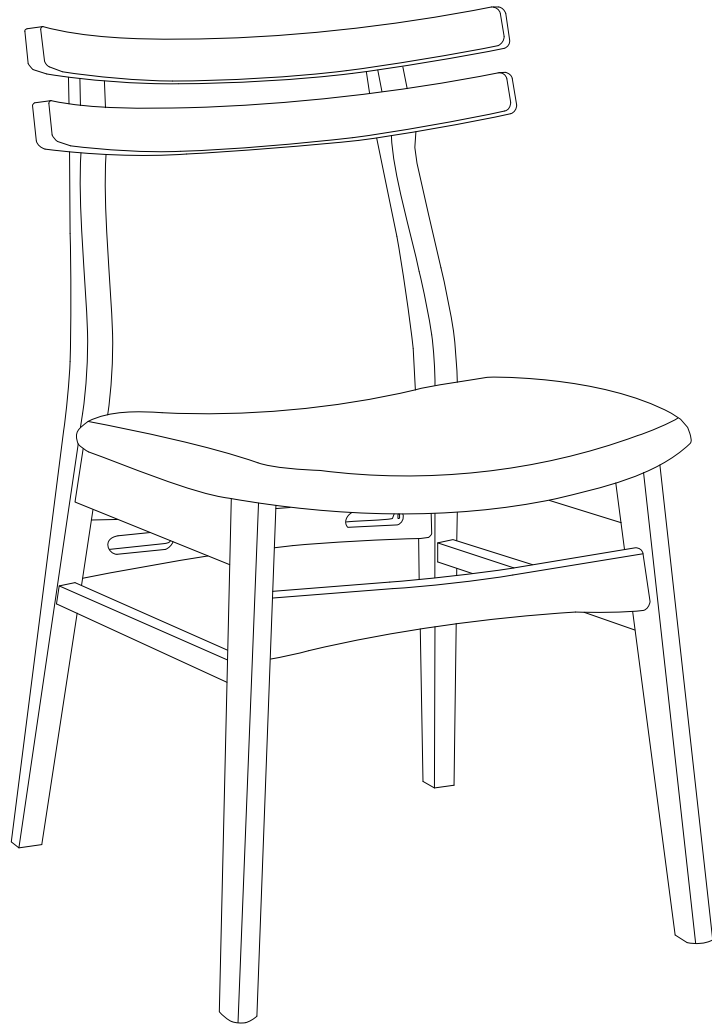
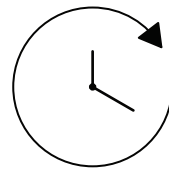
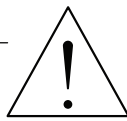
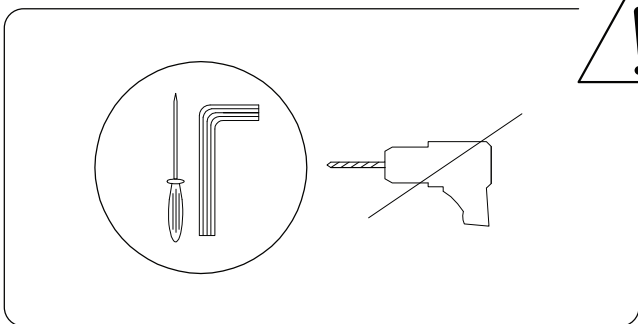
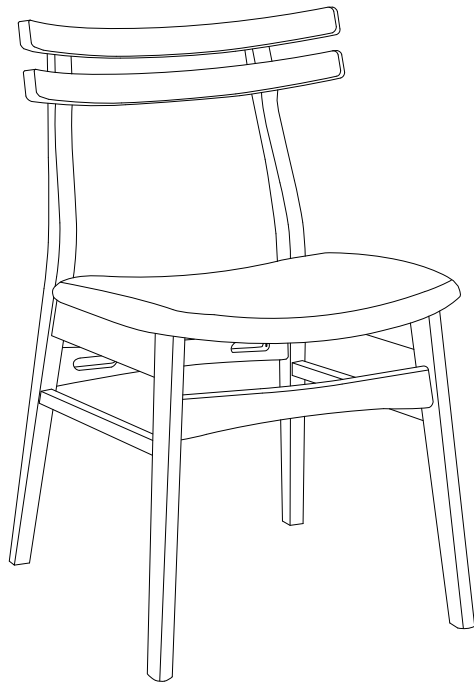
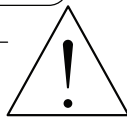
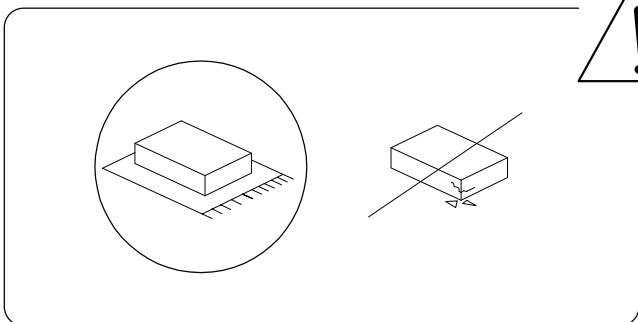


CYNTHIANA

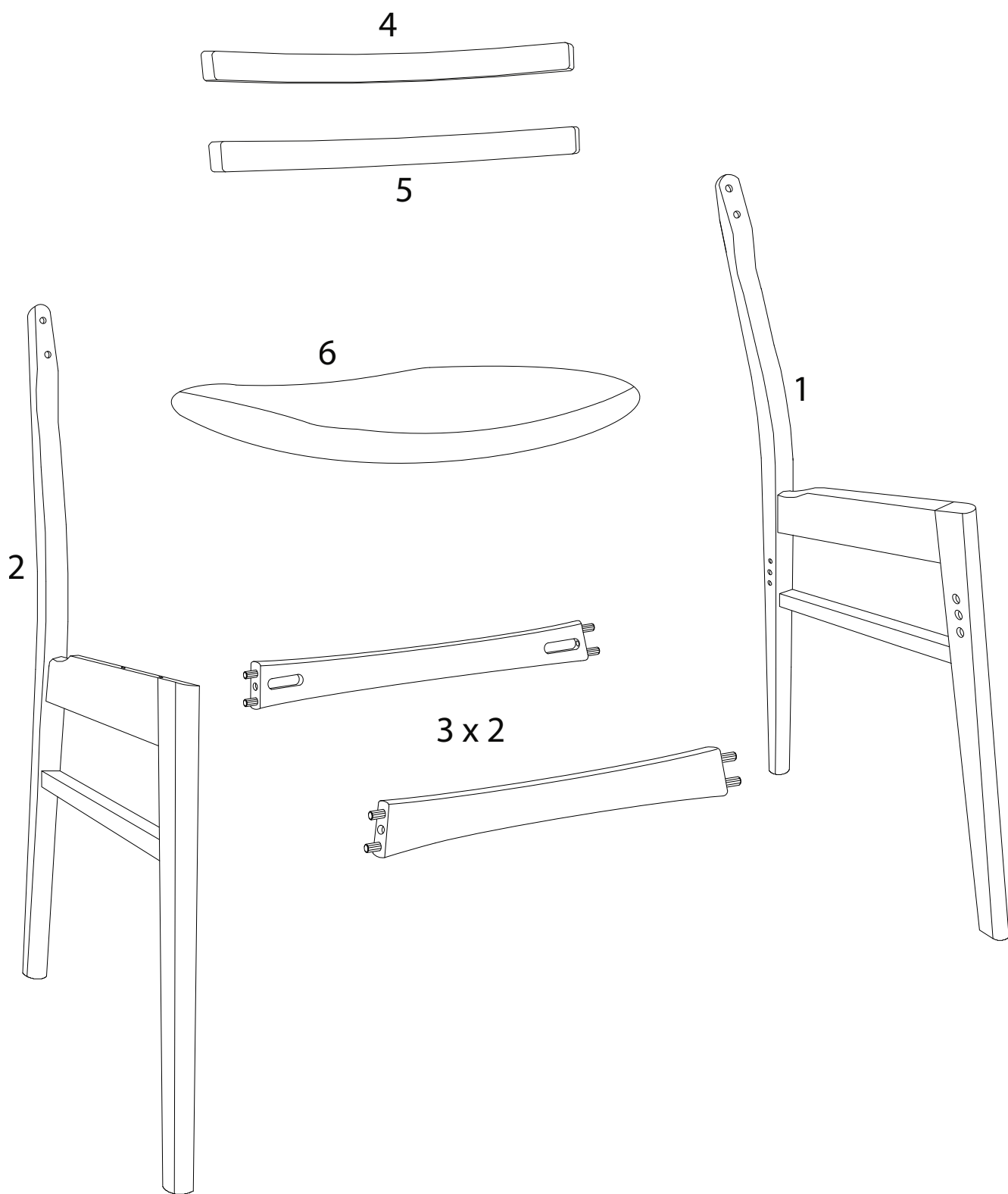




20'



1



1



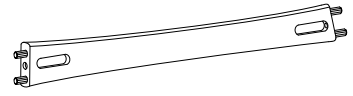
x 1

2



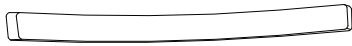
x 1

3



x 2

4



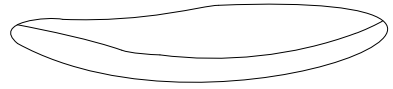
x 1

5



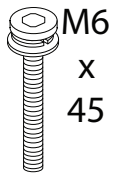
x 1

6



x 1

A



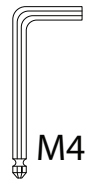
x 4

B



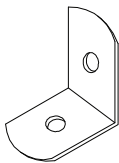
x 4

C



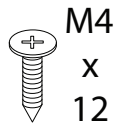
x 1

D



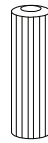
x 4

E



x 8

F



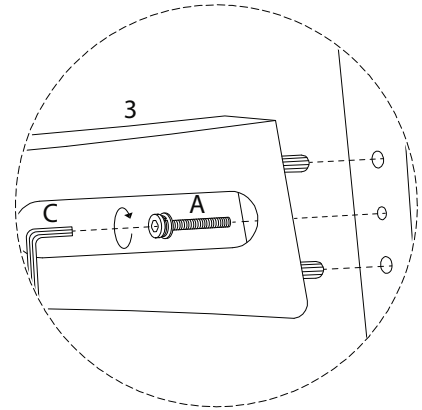
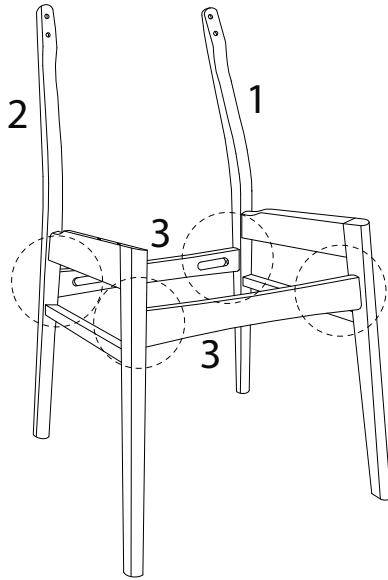
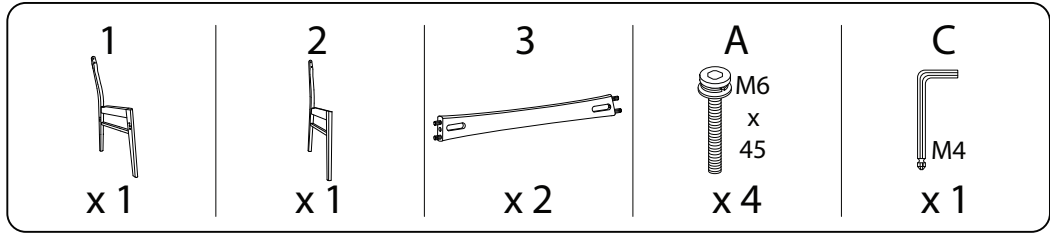
x 2

G

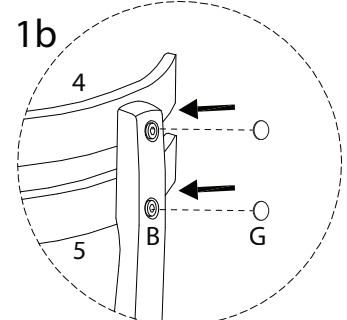
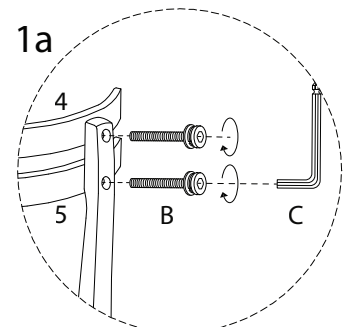
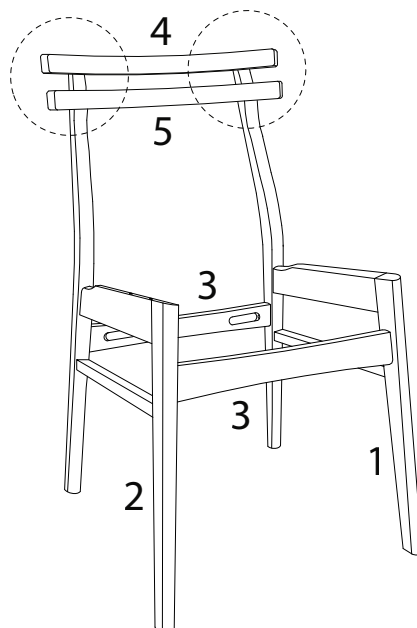
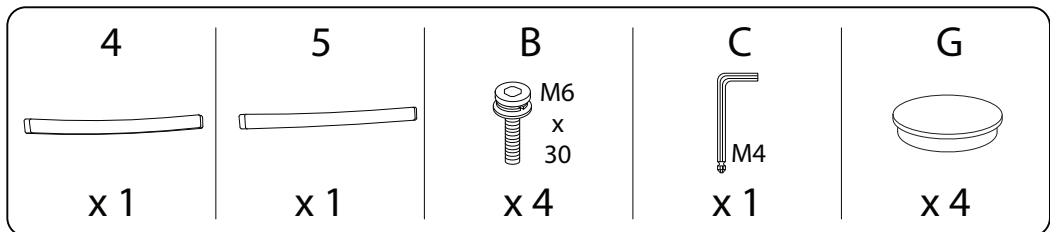


x 4

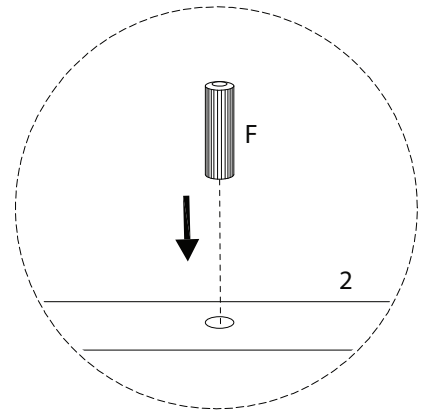
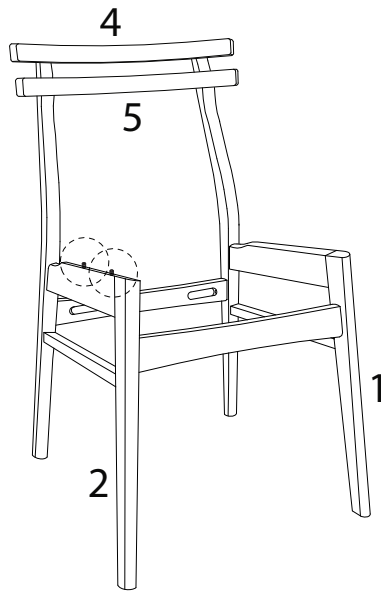
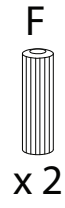
1



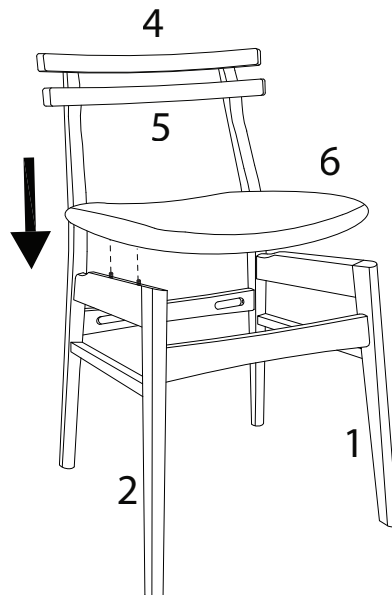
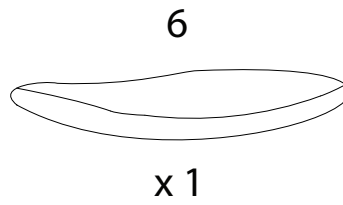
2



3

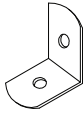


4



5

D



x 4

E



x 8

