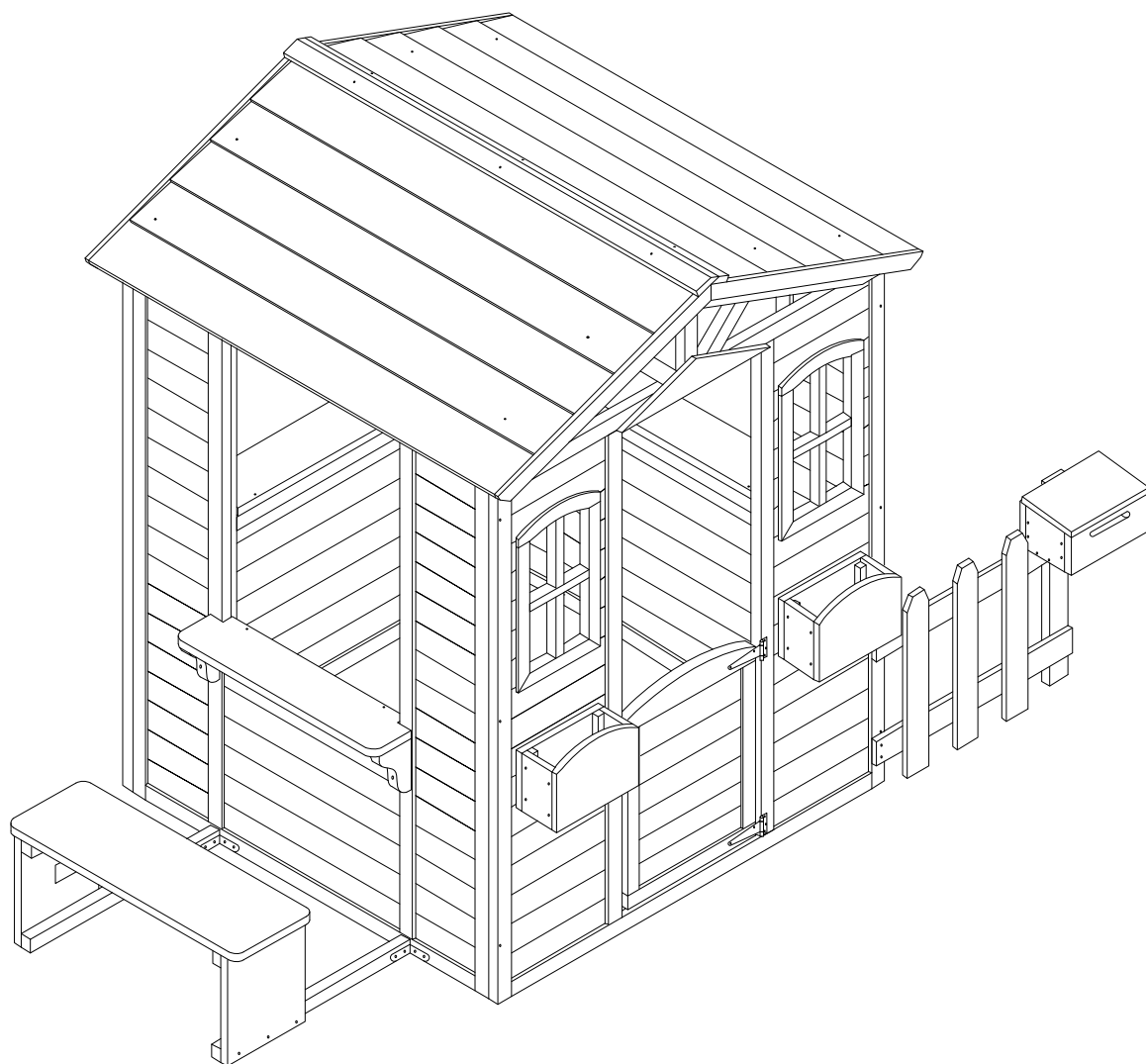
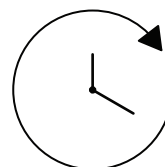
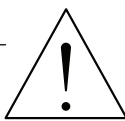
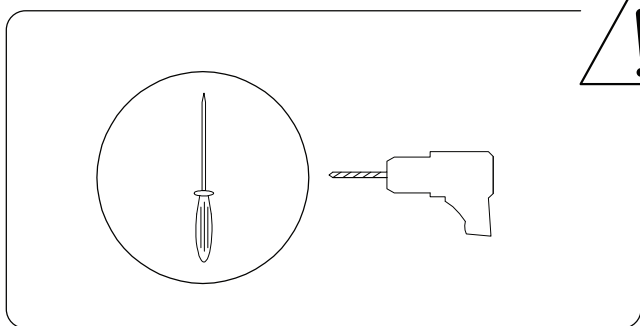
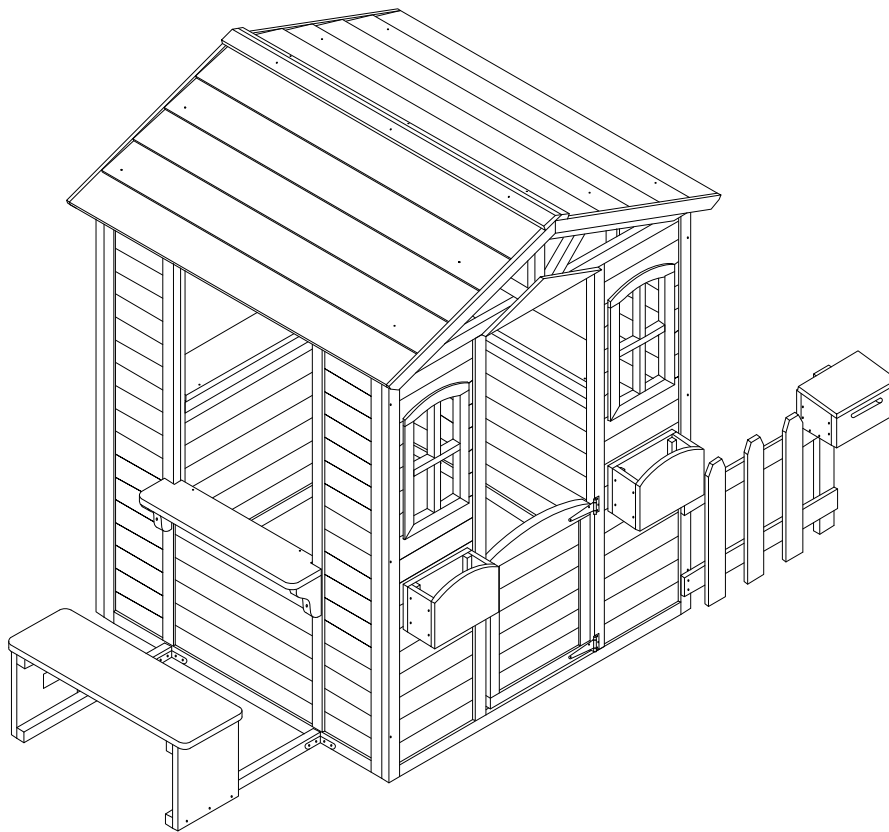
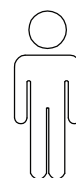
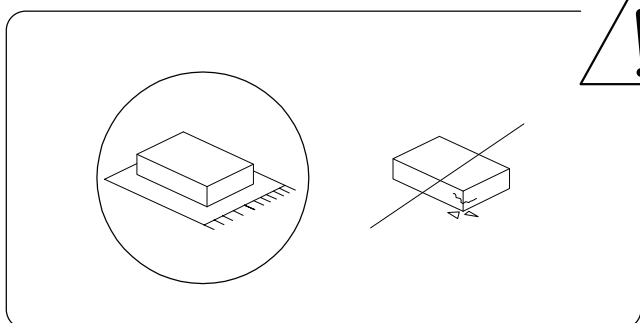


# AMPELIKO

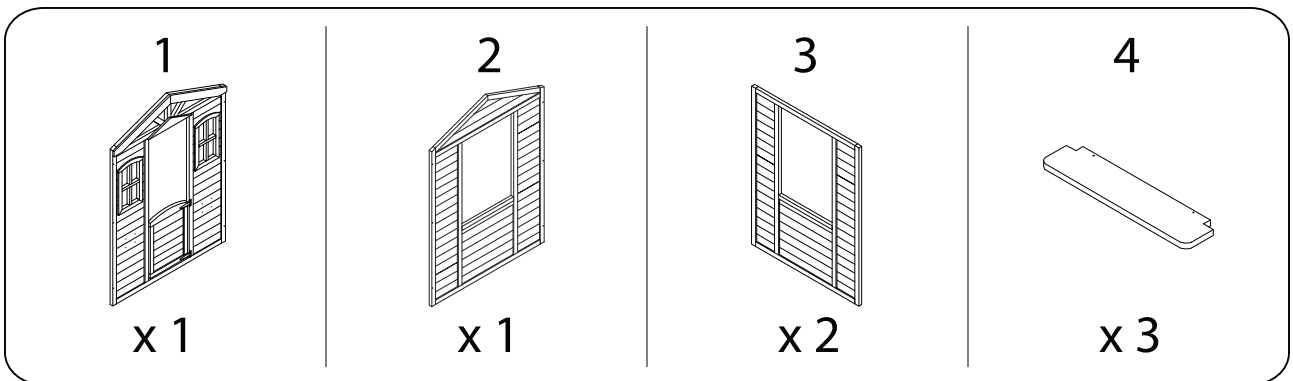
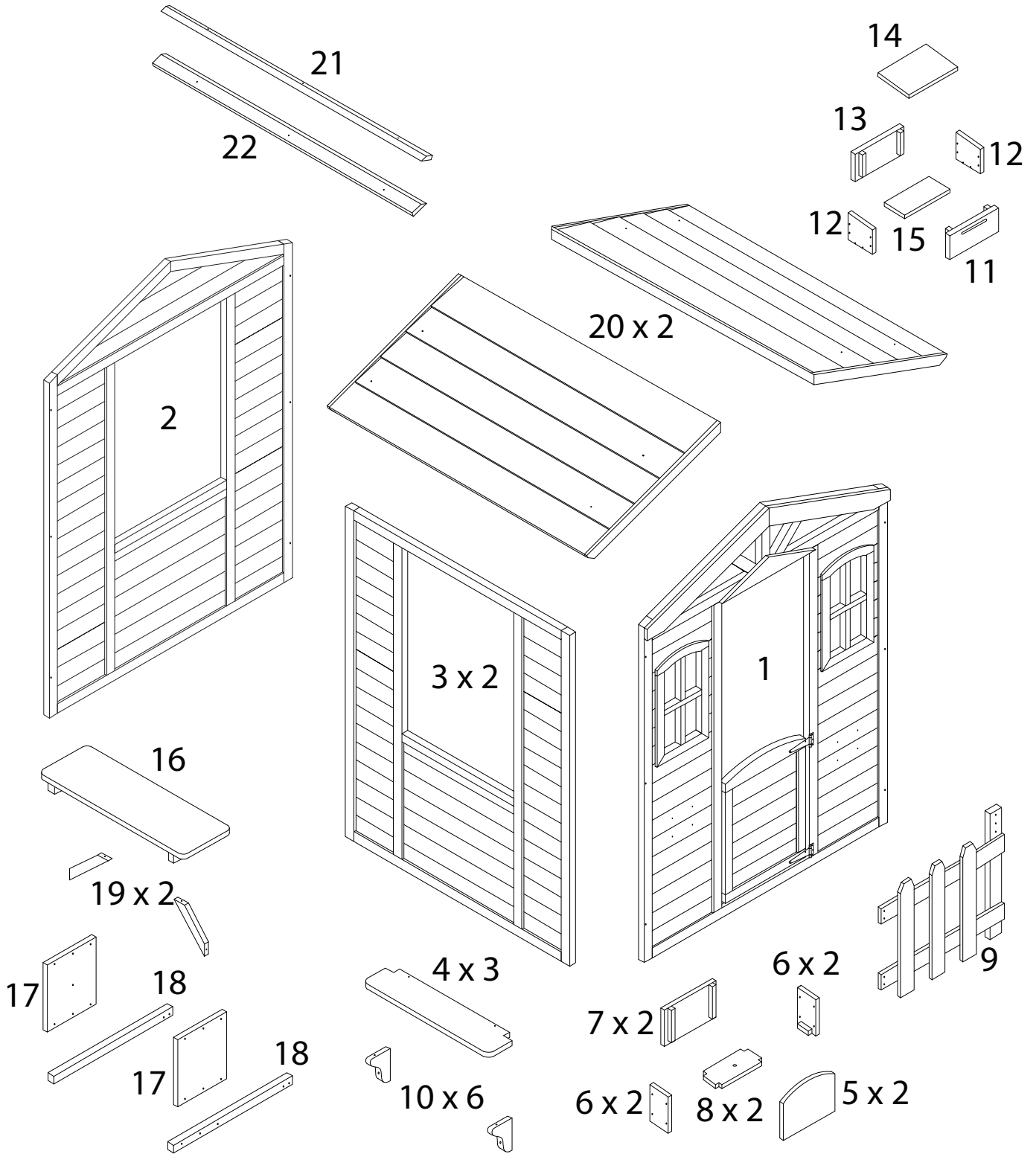




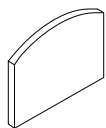
120'



2

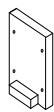


5



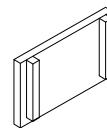
x 2

6



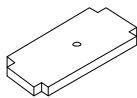
x 4

7



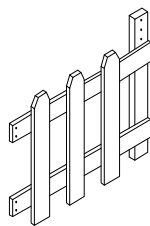
x 2

8



x 2

9



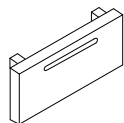
x 1

10



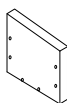
x 6

11



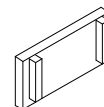
x 6

12



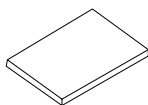
x 2

13



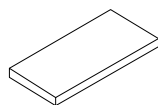
x 1

14



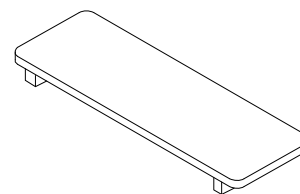
x 1

15



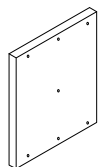
x 1

16



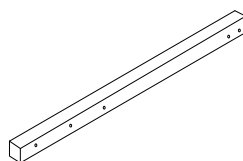
x 1

17



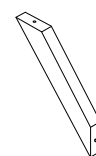
x 2

18



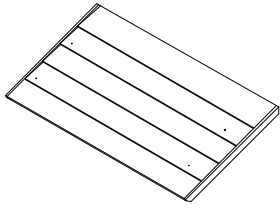
x 2

19



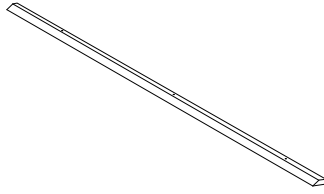
x 2

20



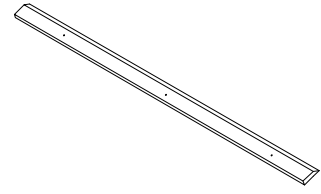
x 2

21



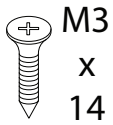
x 1

22



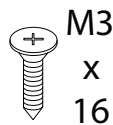
x 1

A



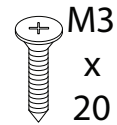
x 4

B



x 16

C



x 8

D



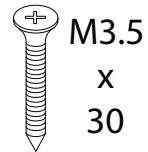
x 6

E



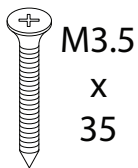
x 28

F



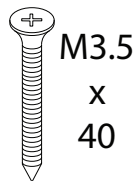
x 11

G



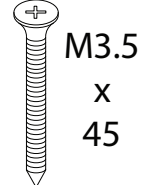
x 26

H



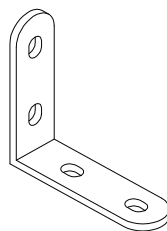
x 12

I



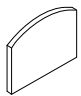

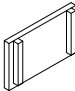

x 12

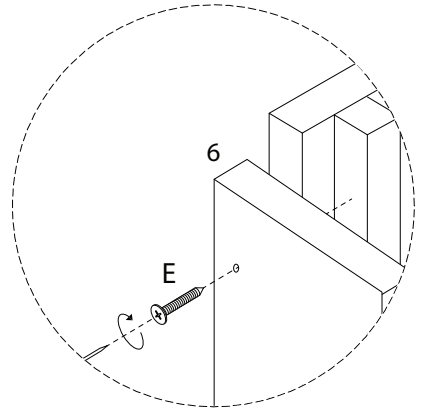
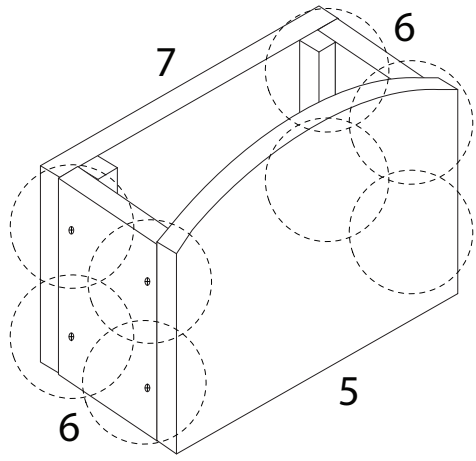
J



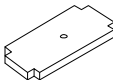
x 4

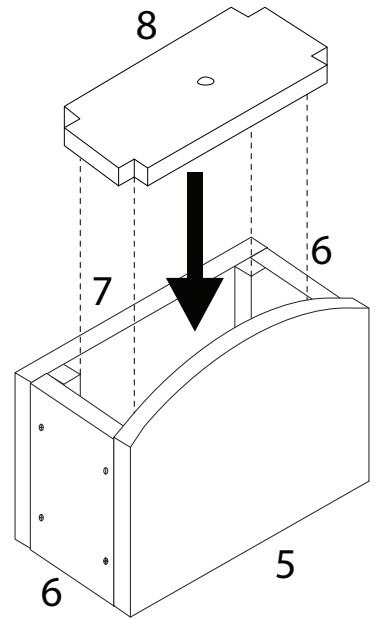
1 x 2

<p>5</p>  <p>x 1</p>	<p>6</p>  <p>x 2</p>	<p>7</p>  <p>x 1</p>	<p>E</p>  <p>x 8</p>
---	---	--	---

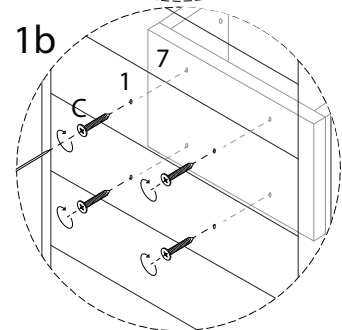
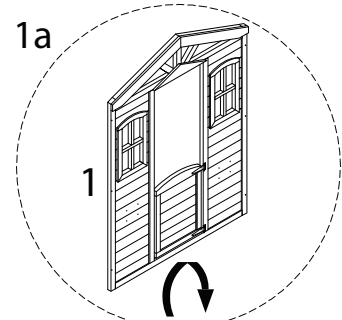
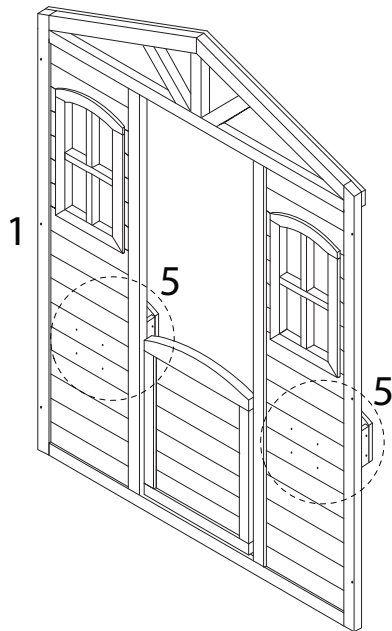
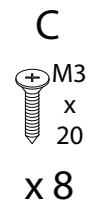


2 x 2

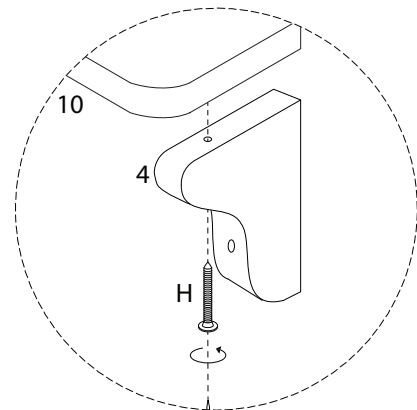
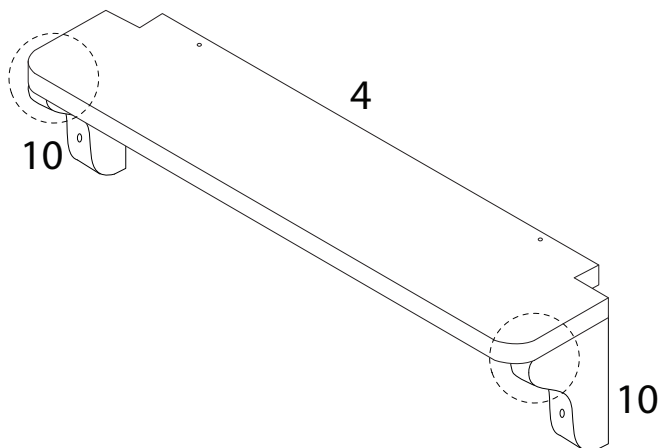
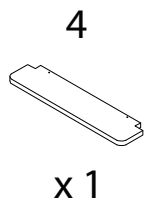
<p>8</p>  <p>x 1</p>
---



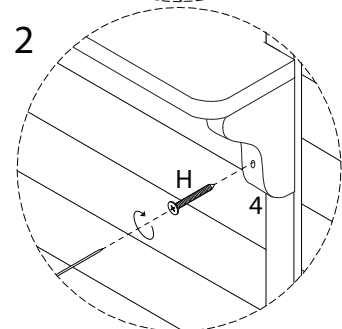
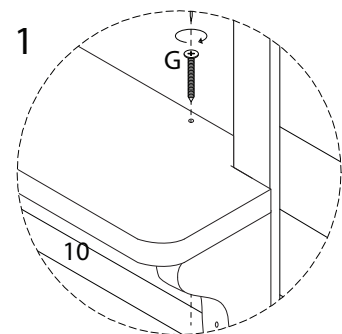
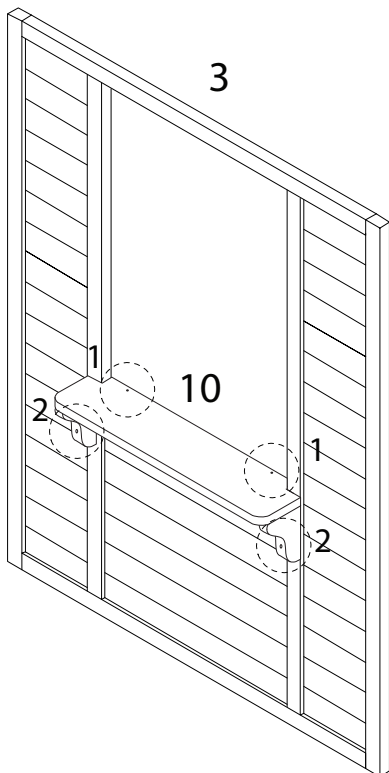
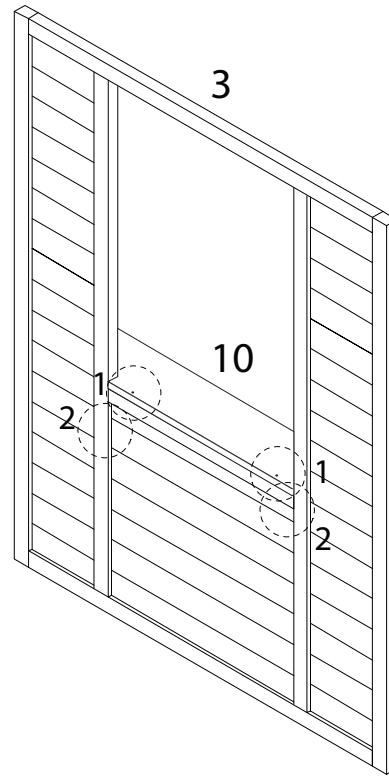
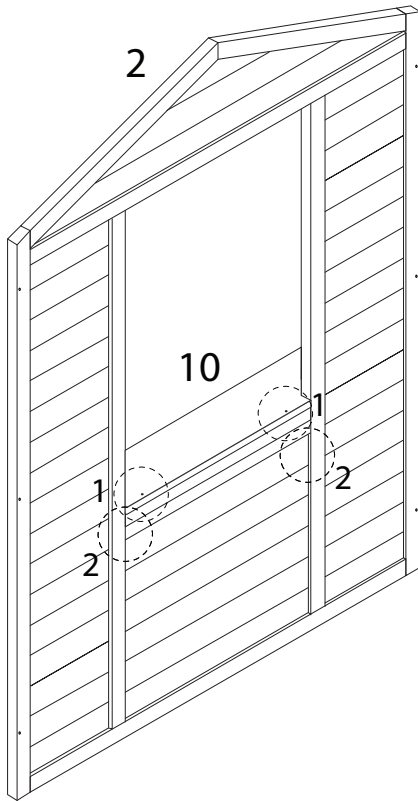
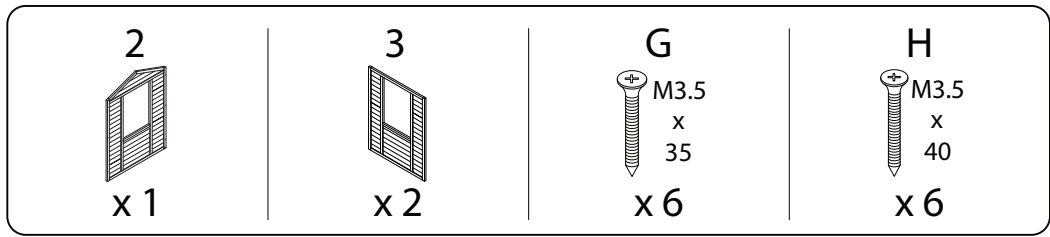
3



4 x 3



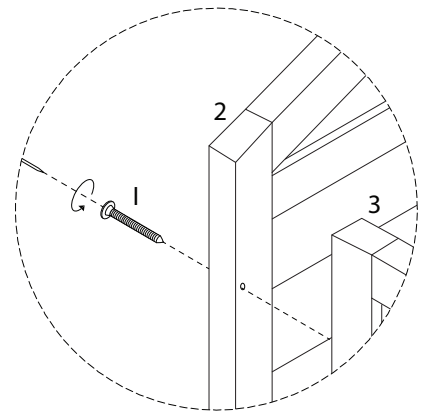
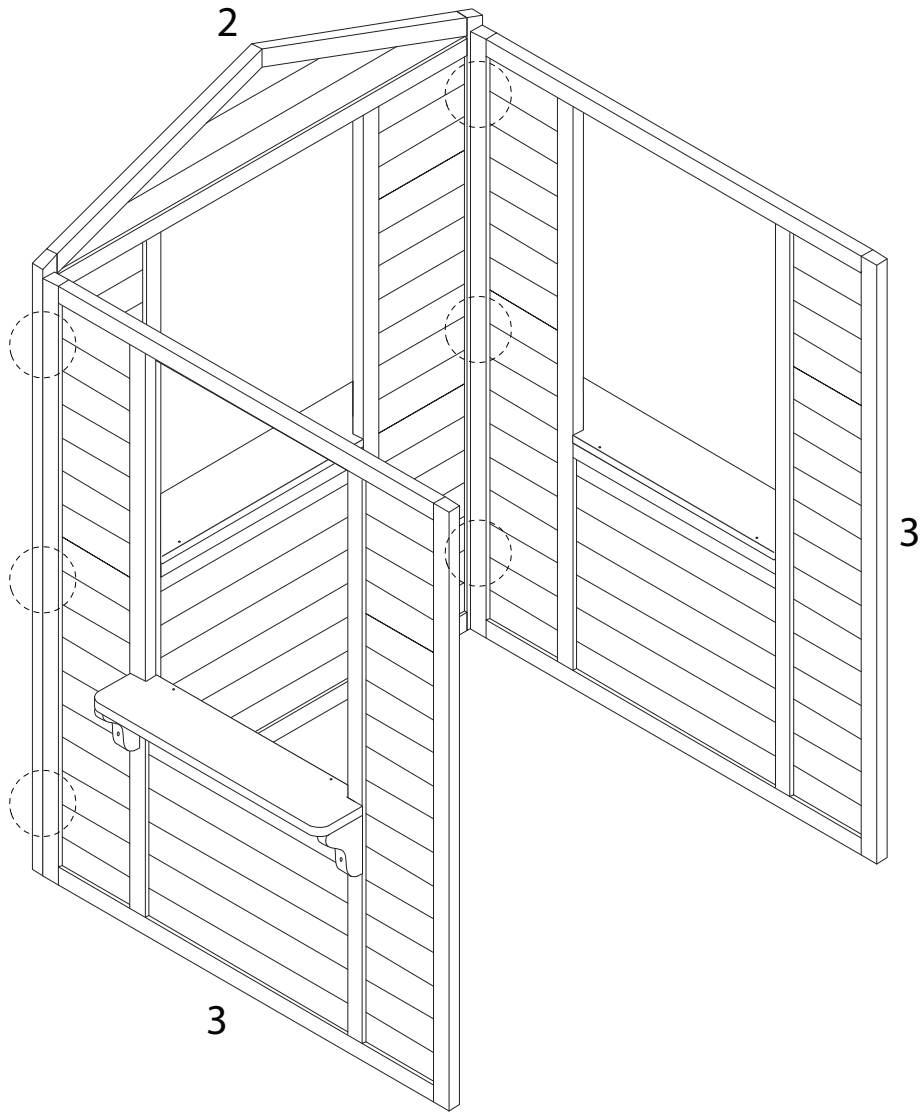
5





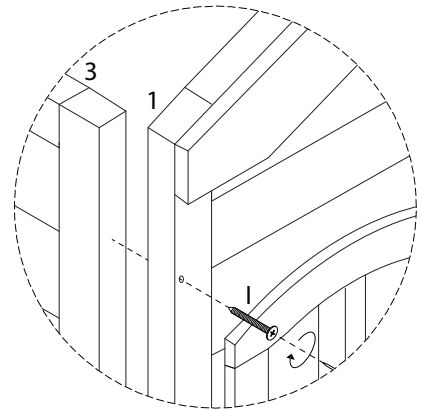
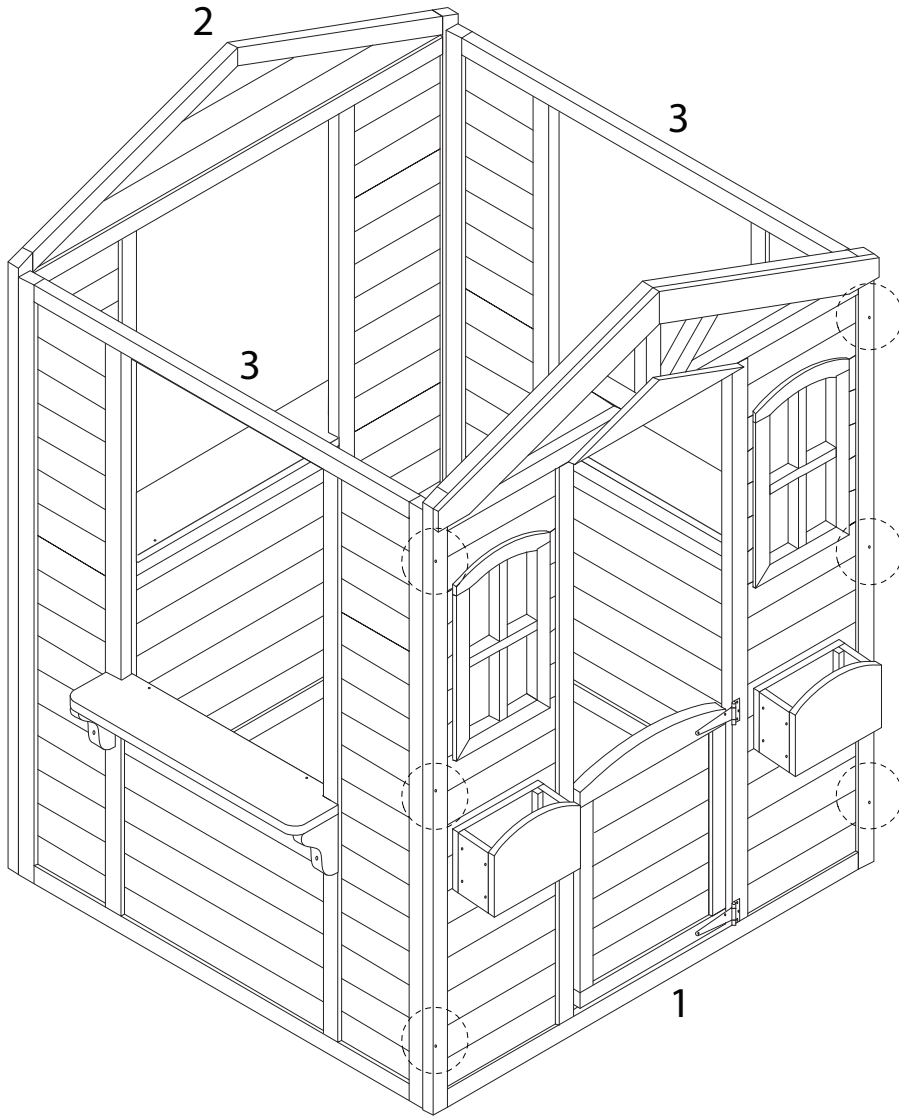
6

I  
M3.5  
x  
45  
x 6

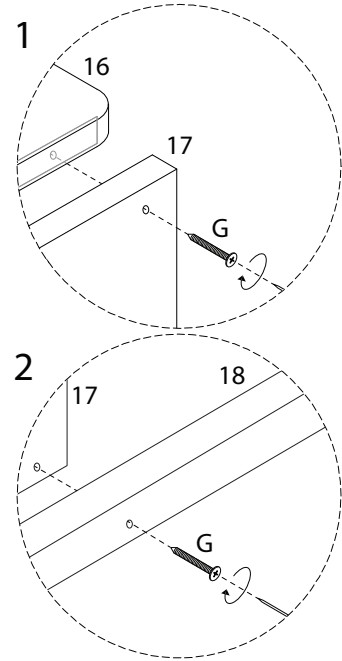
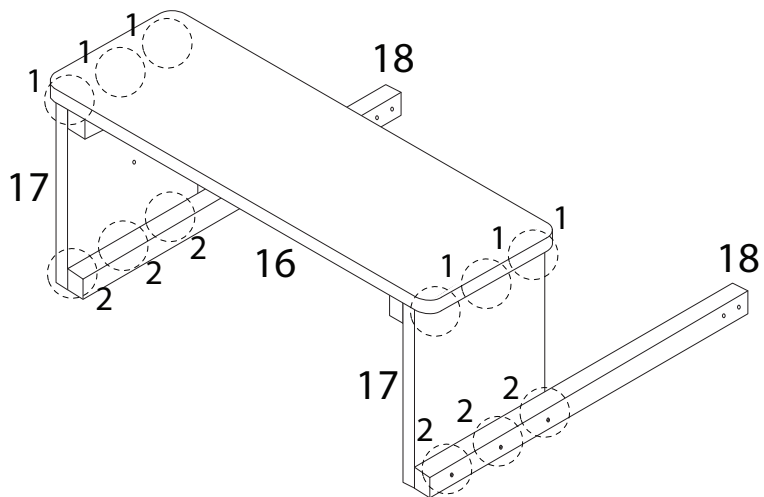
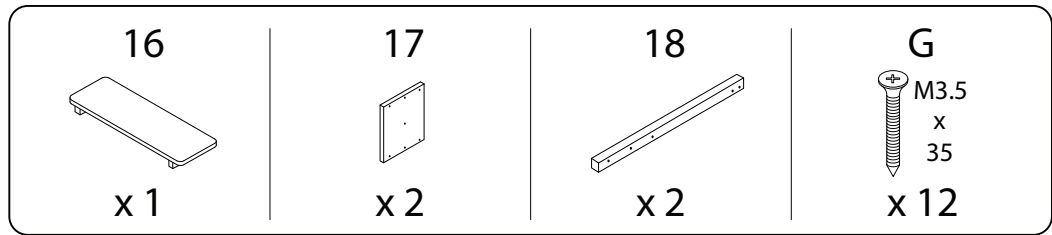


7

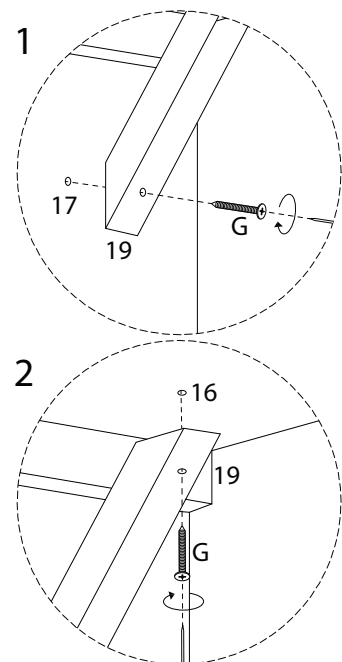
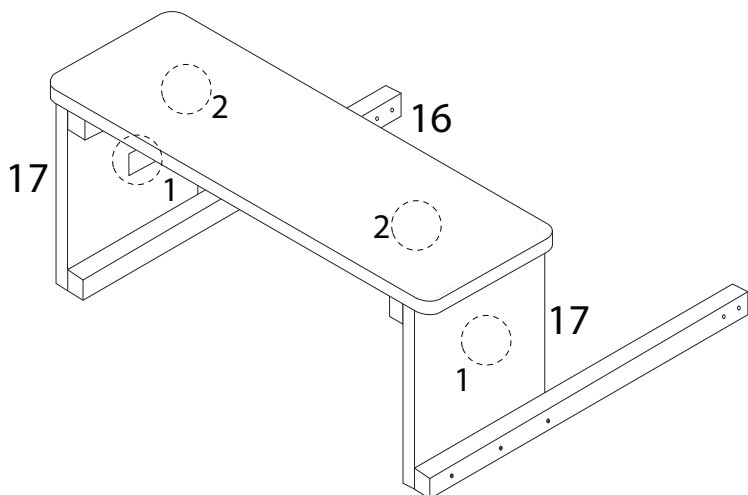
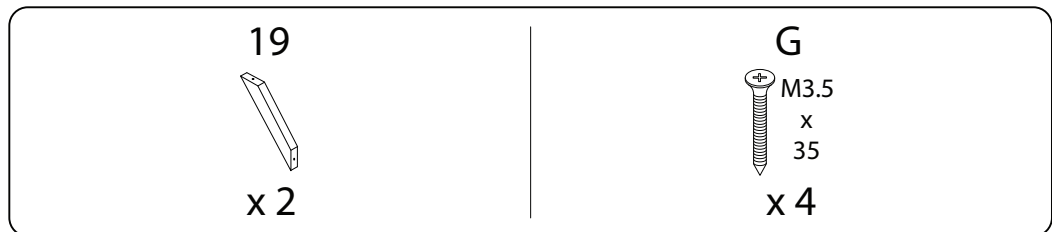
I  
M3.5  
x  
45  
x 6



8



9



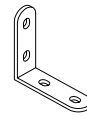
10

B

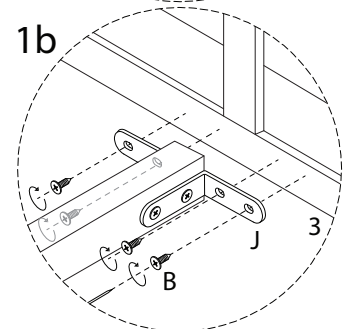
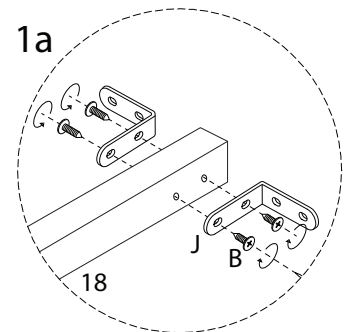
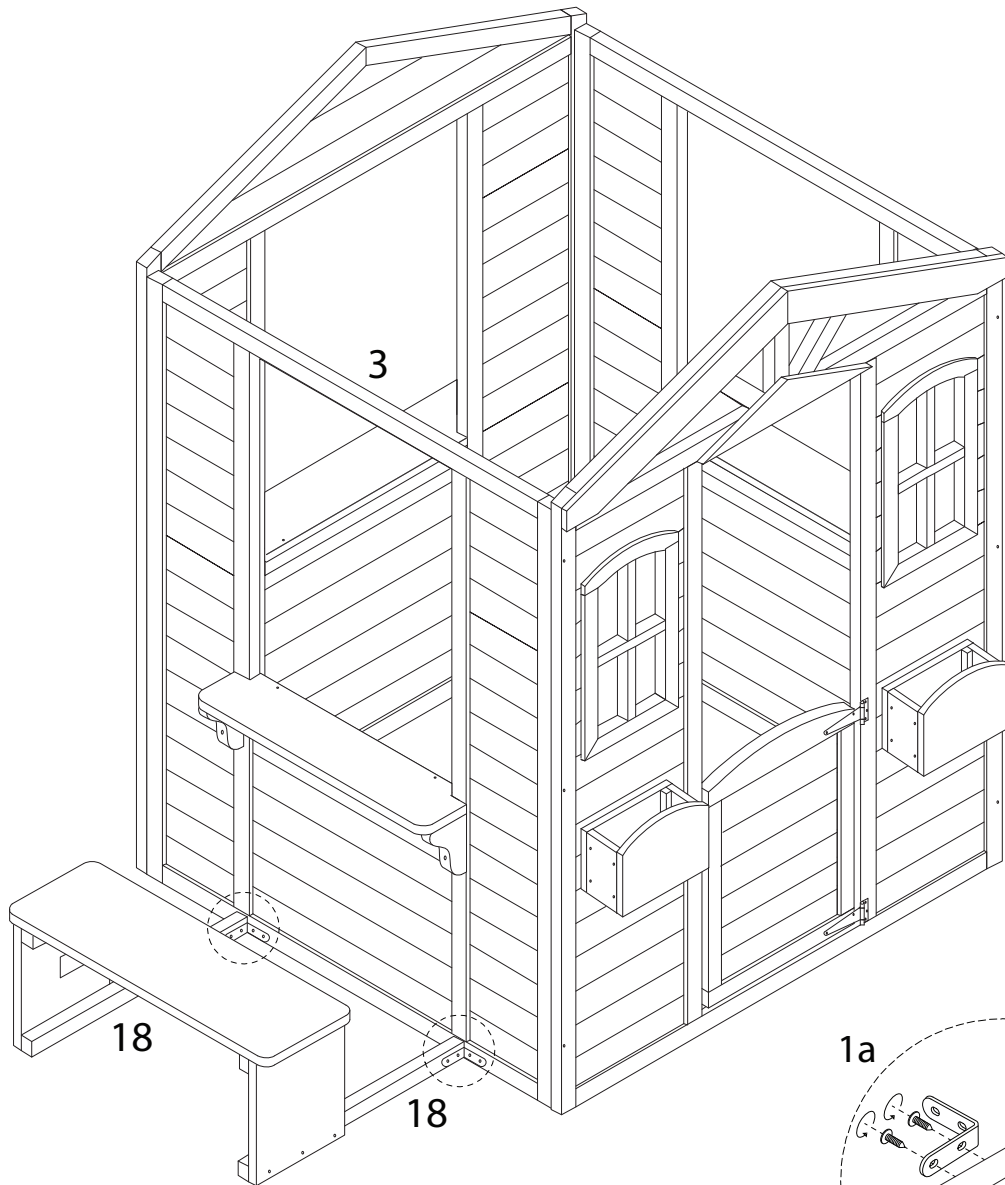


x 16

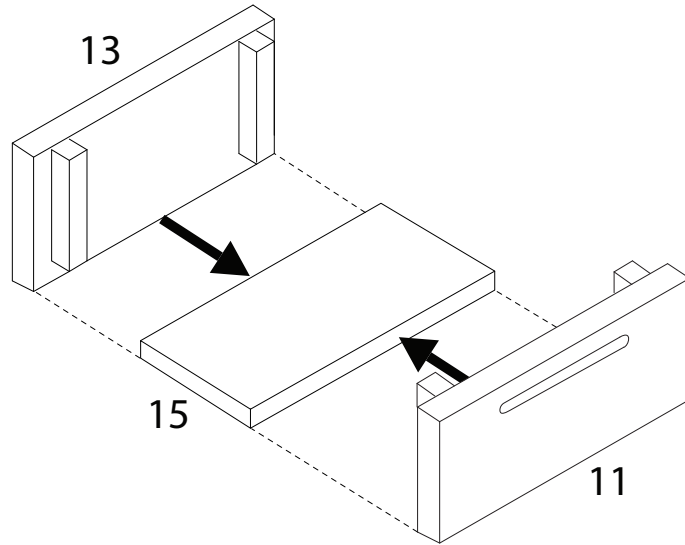
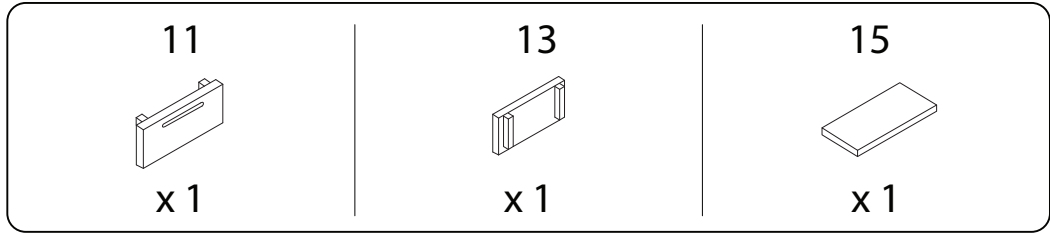
J



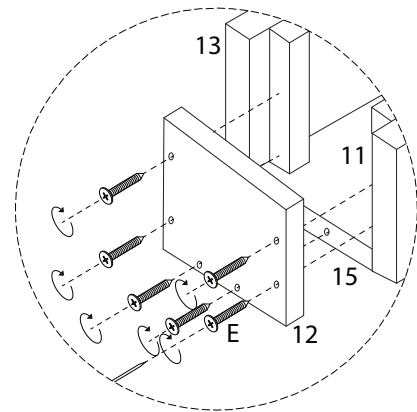
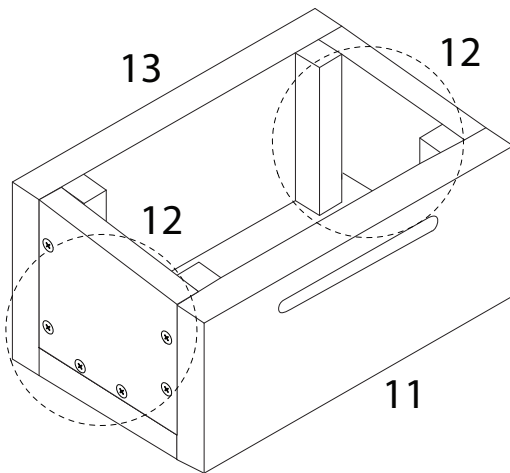
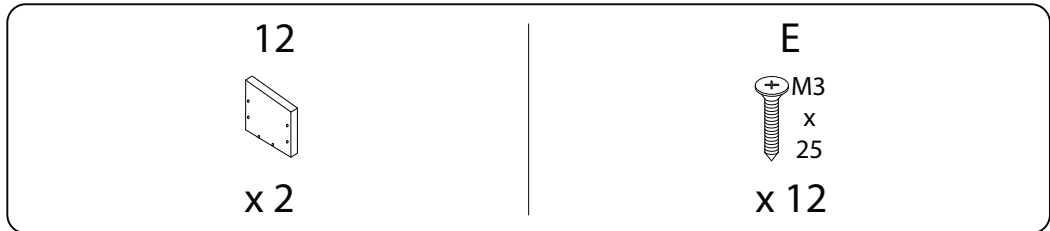
x 4



11

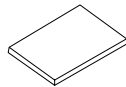


12



13

14

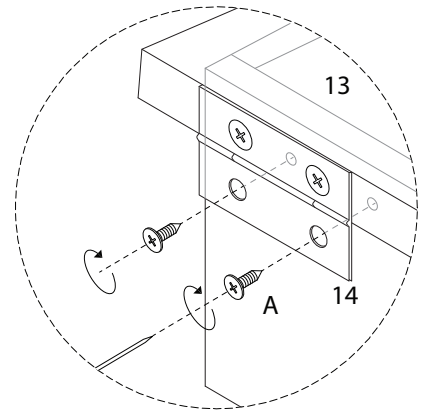
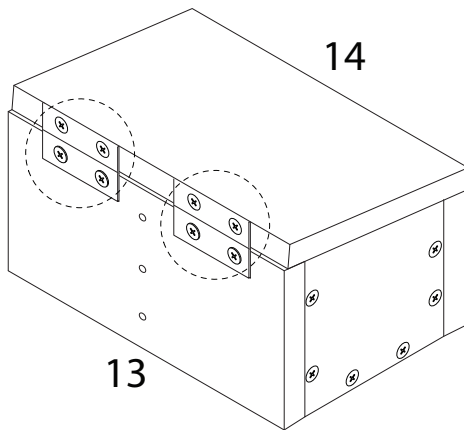


x 1

A

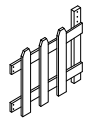


x 4



14

9

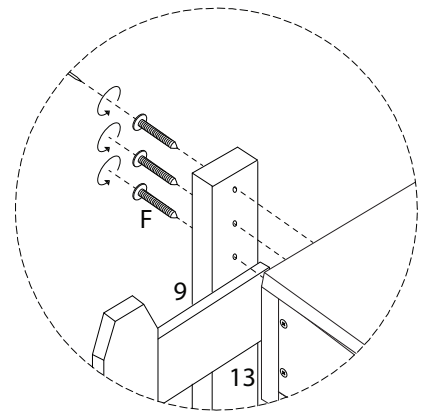
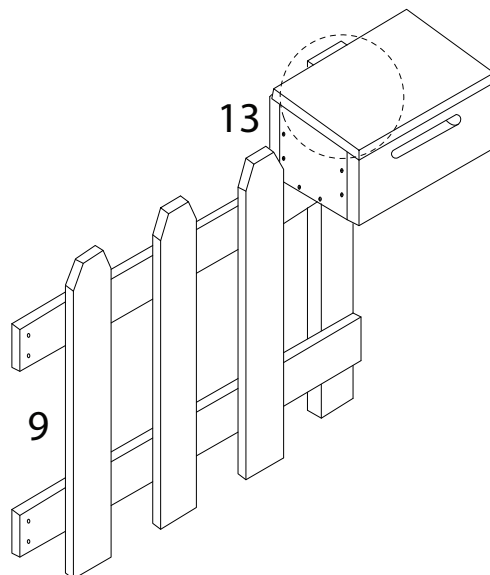


x 1

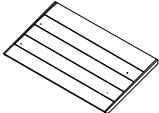
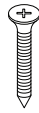
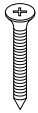
F

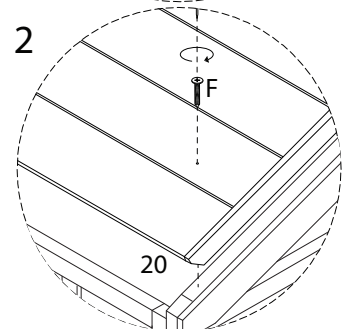
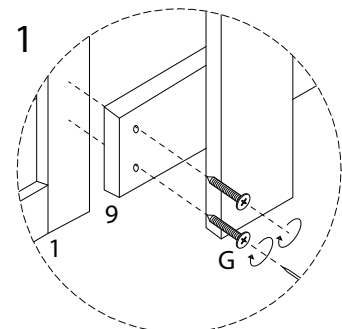
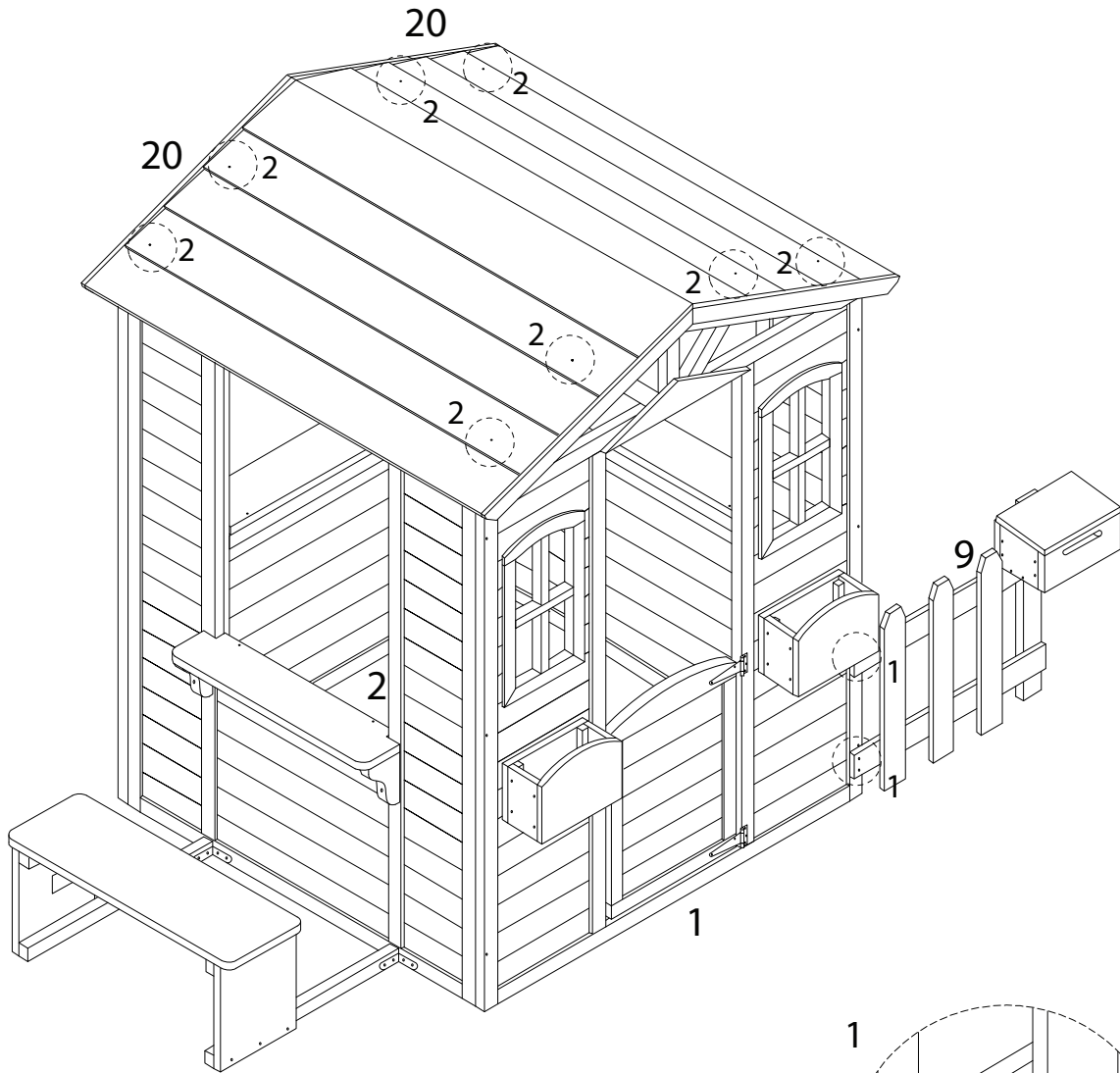


x 3



15

<p>20</p>  <p>x 2</p>	<p>F</p>  <p>x 8</p>	<p>G</p>  <p>x 4</p>
--	---	---



16

