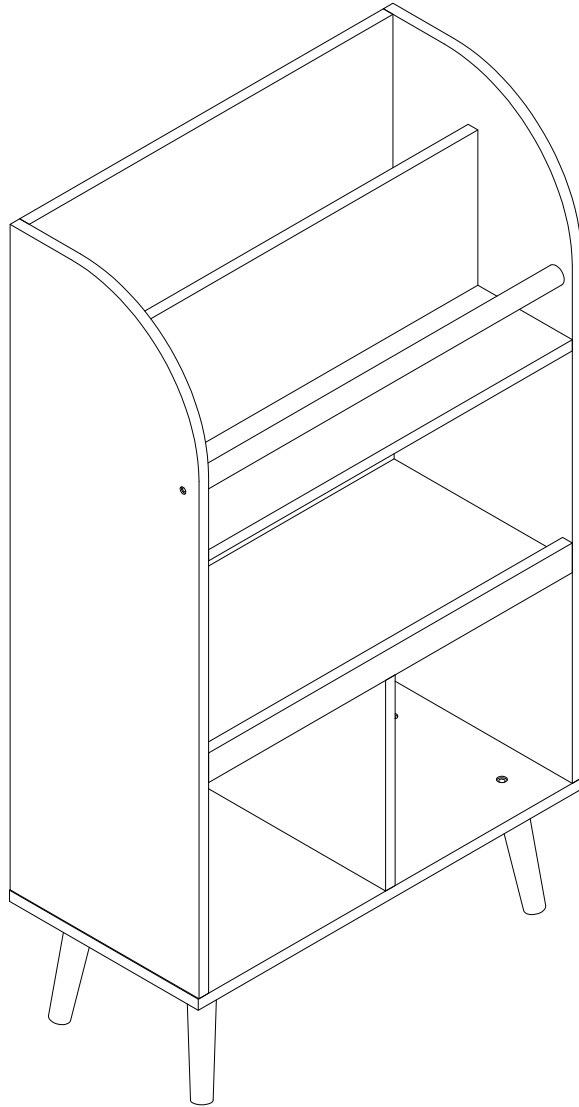


LILOET



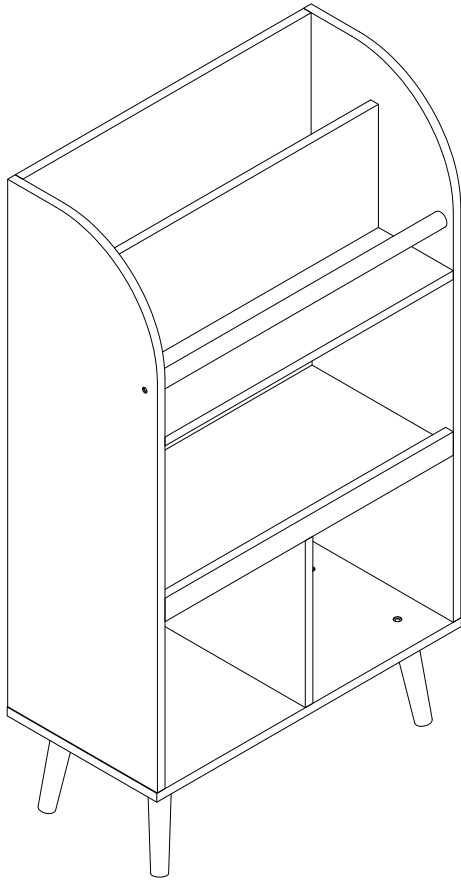
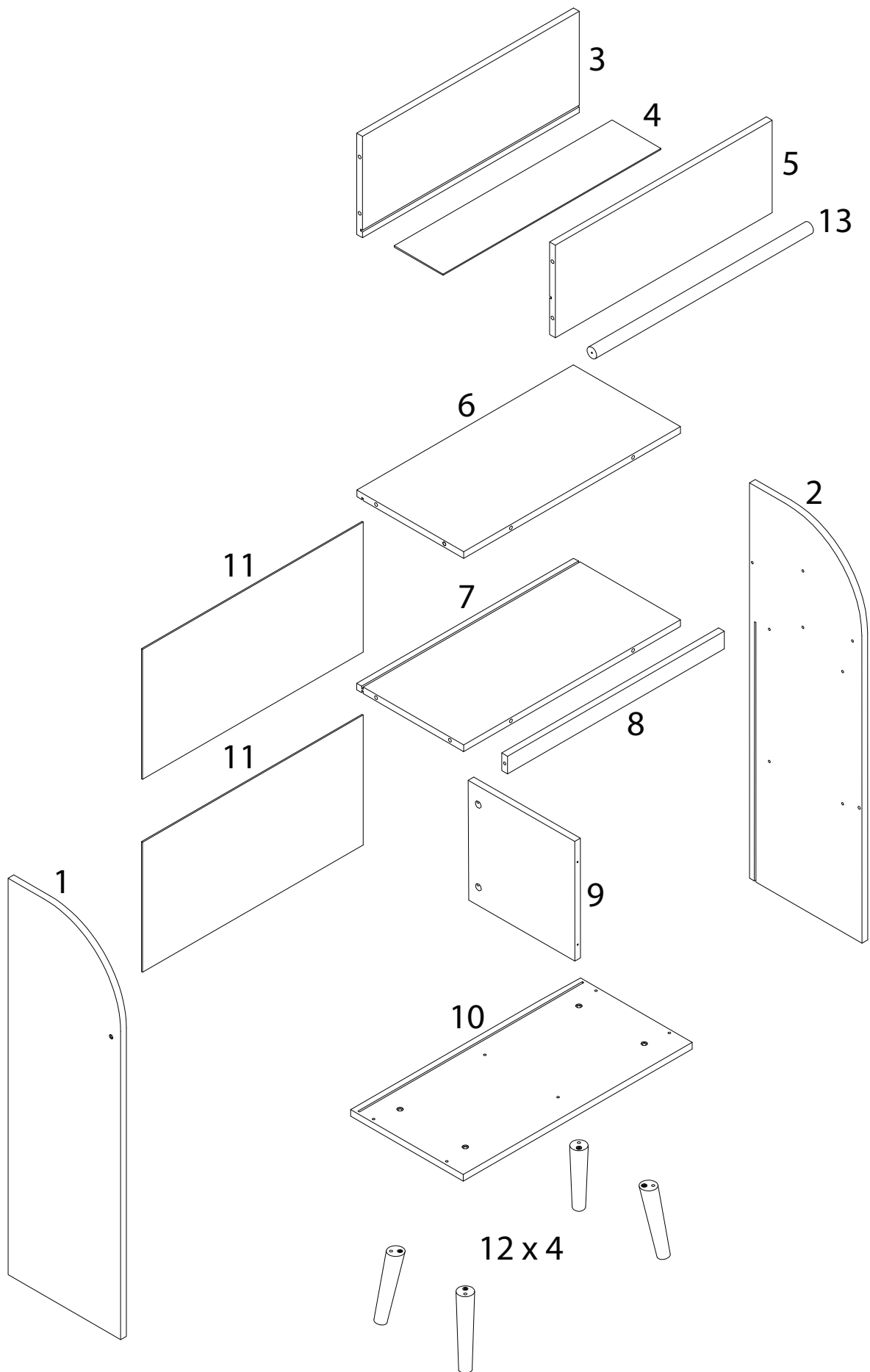
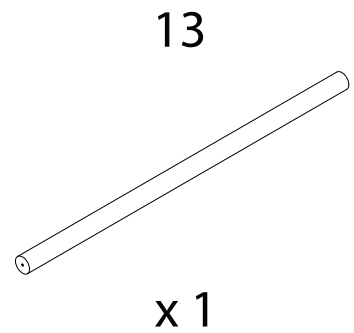
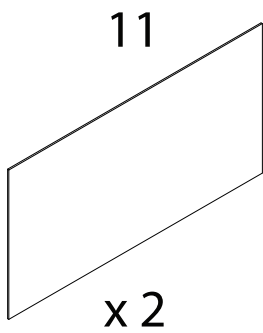
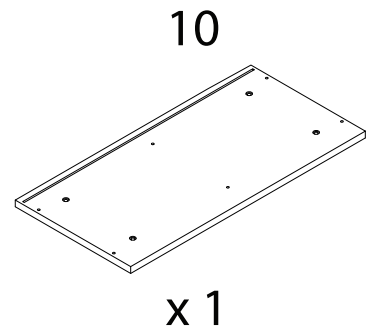
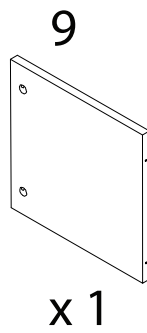
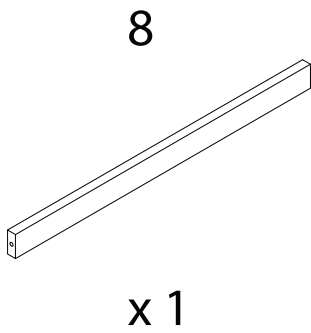
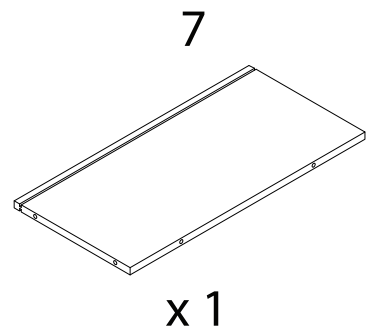
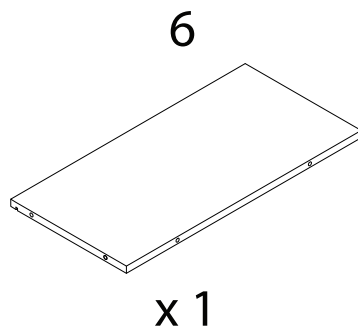
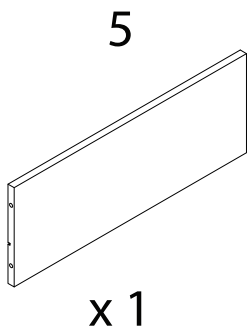
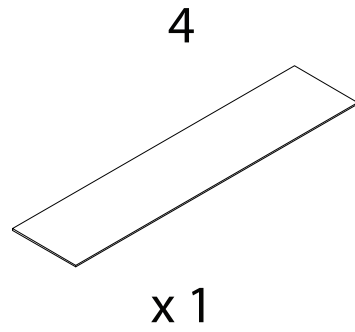
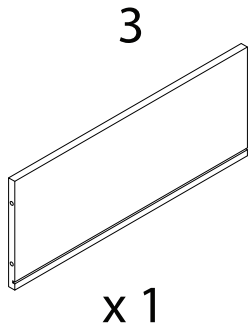
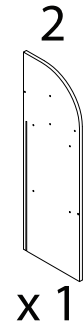


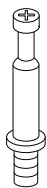
Diagram illustrating assembly steps and safety warnings:

- Step 1:** Shows a screwdriver and a power drill. A warning triangle with an exclamation mark is positioned to the right.
- Step 2:** Shows a rectangular panel being placed on a surface and another panel being attached to it. A warning triangle with an exclamation mark is positioned to the right.
- Time:** A clock icon with a circular arrow indicates a duration of 30'.
- Personnel:** An icon of a person indicates that 2 people are required for assembly.



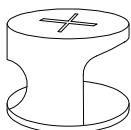


A



x 20

B



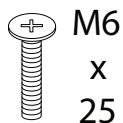
x 20

C



x 6

D



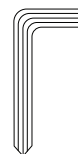
x 4

E



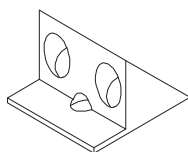
x 8

F



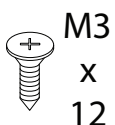
x 1

G



x 8

H



x 9

I



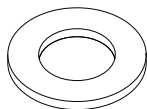
x 1

J



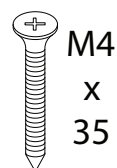
x 1

K



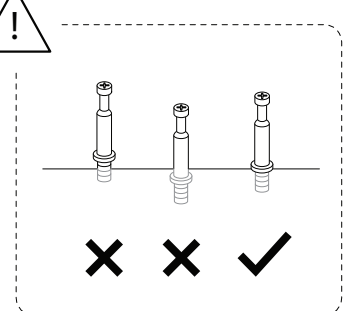
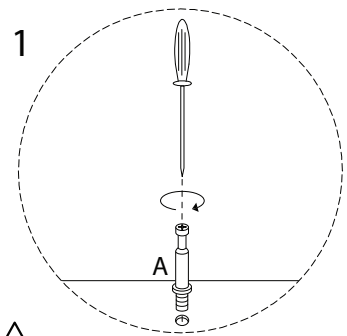
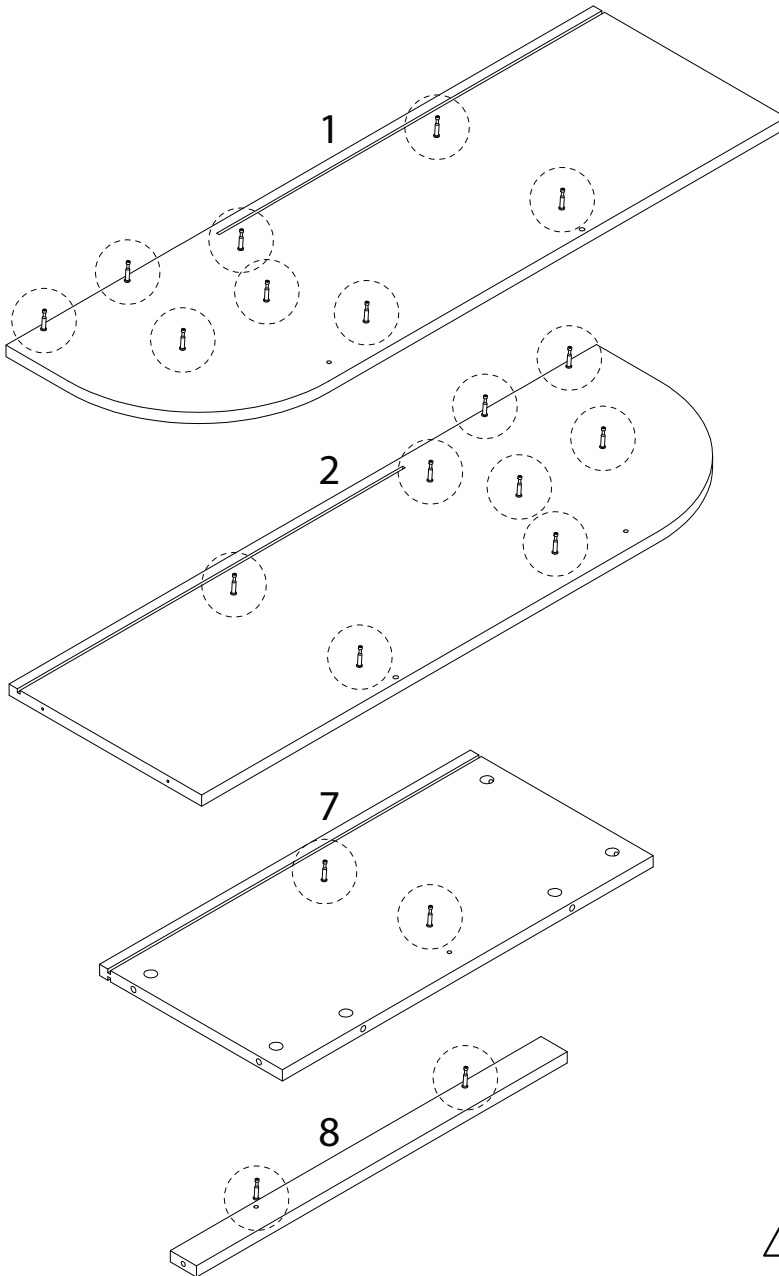
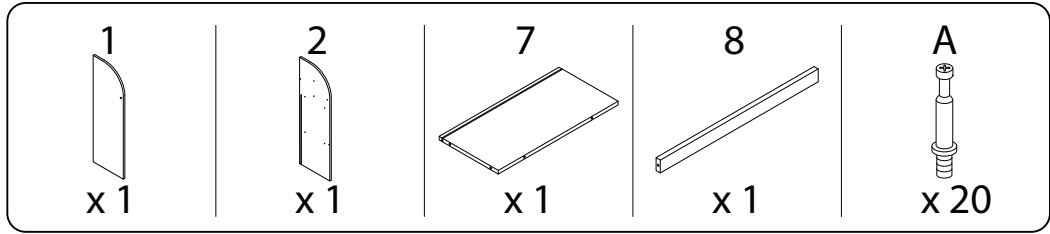
x 2

L

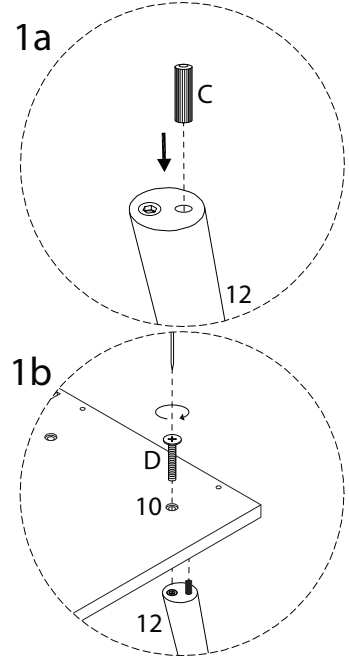
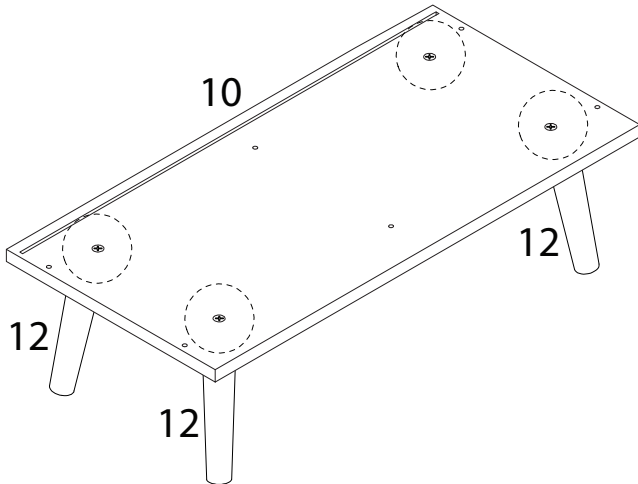
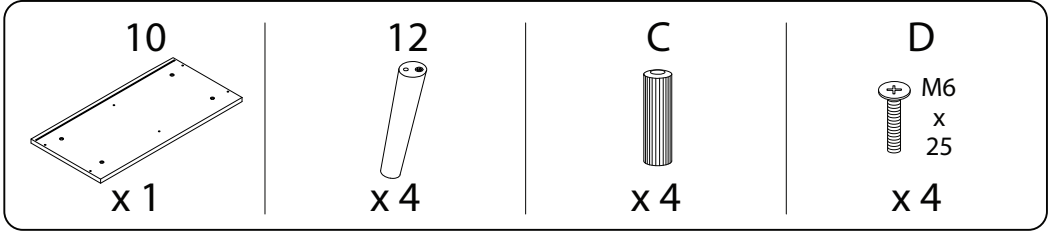


x 1

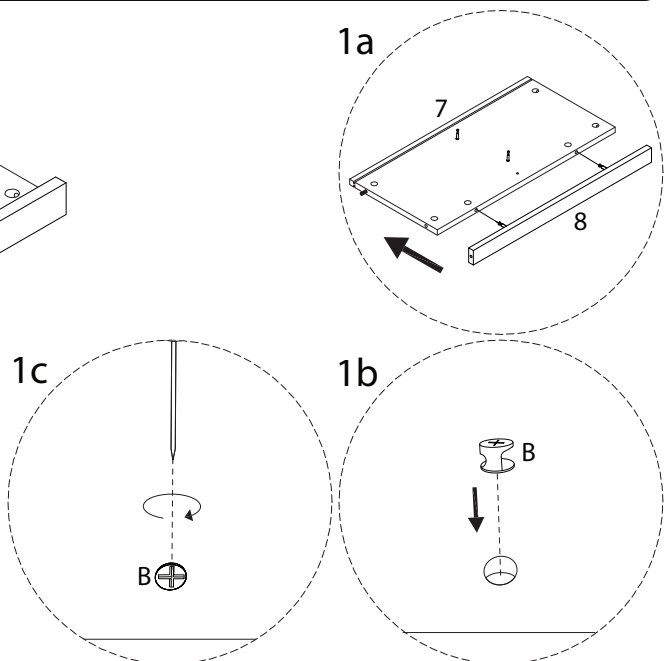
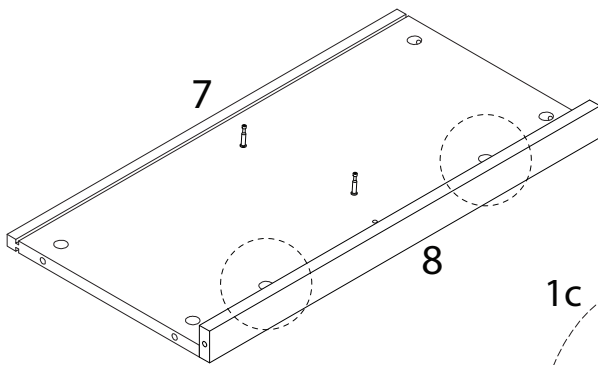
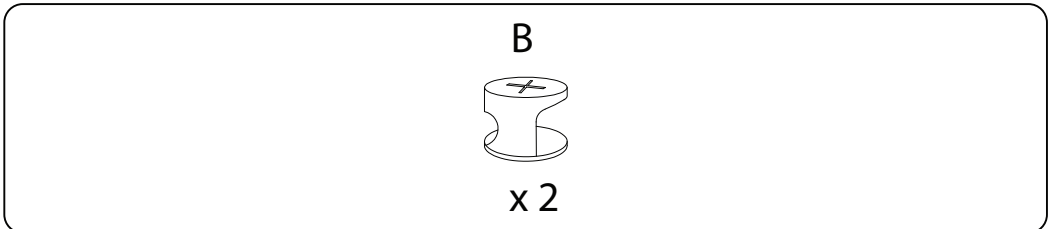
1



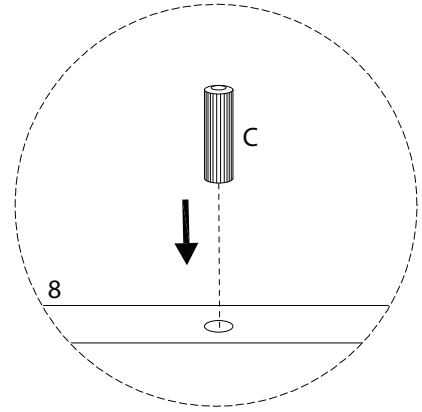
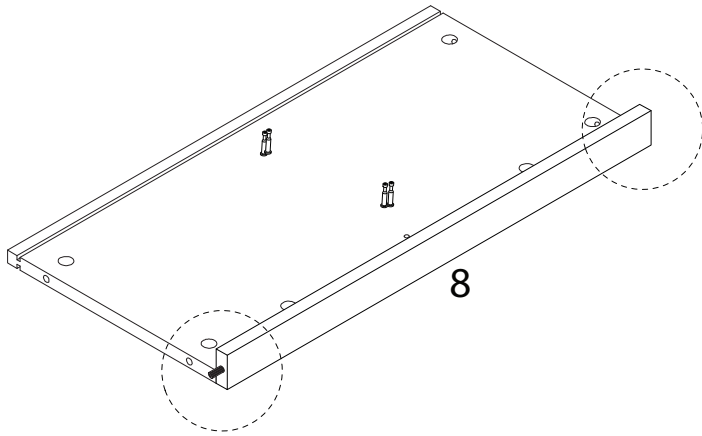
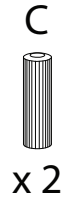
2



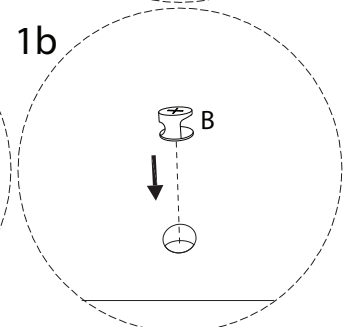
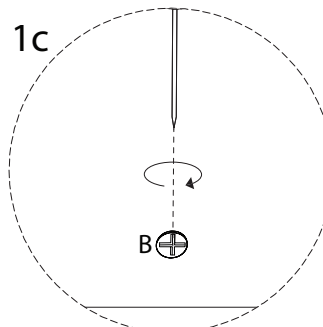
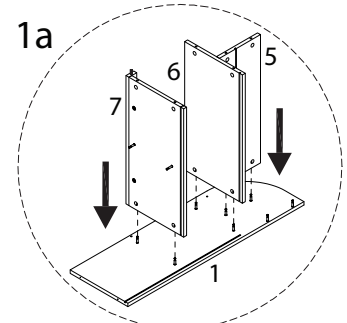
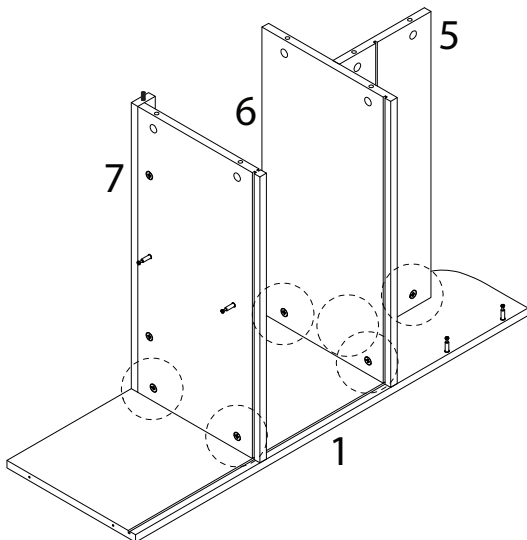
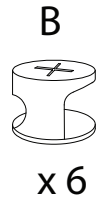
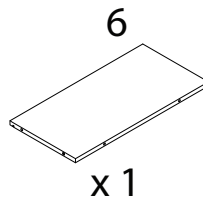
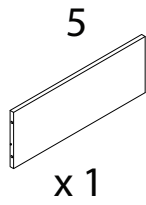
3



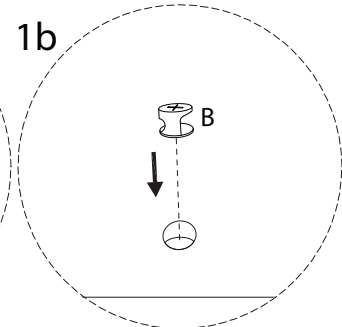
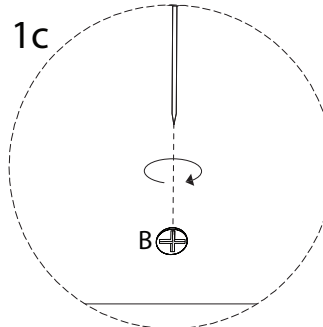
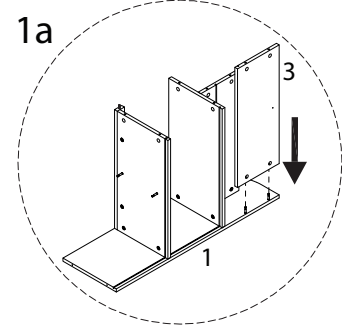
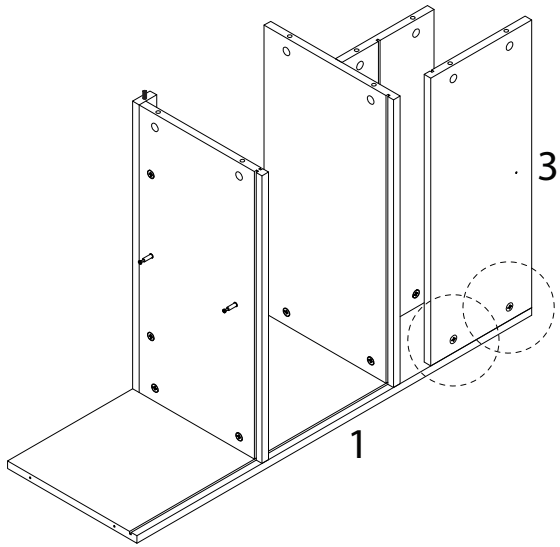
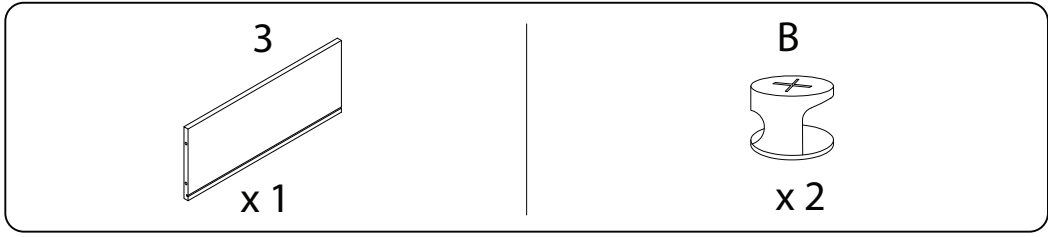
4



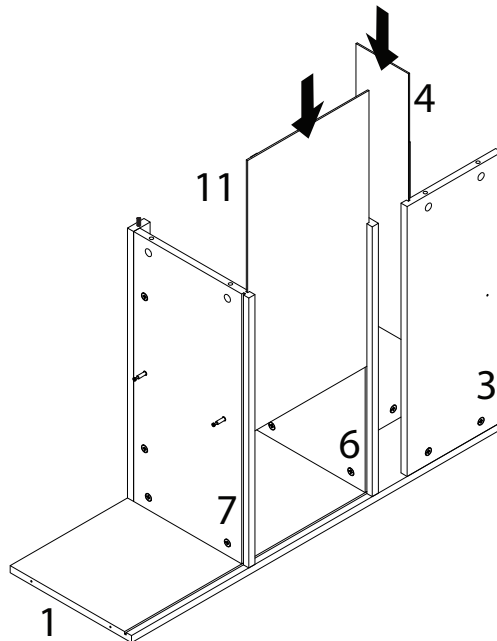
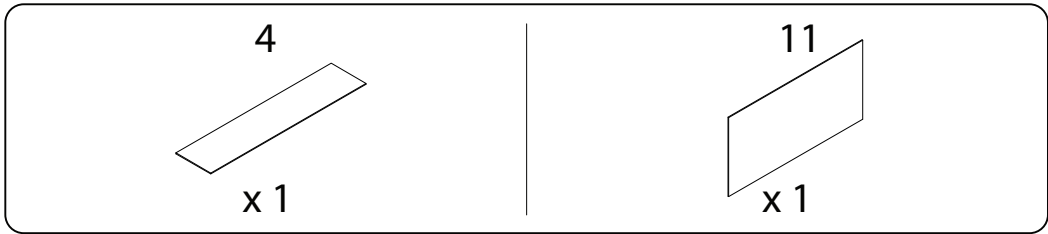
5



6



7

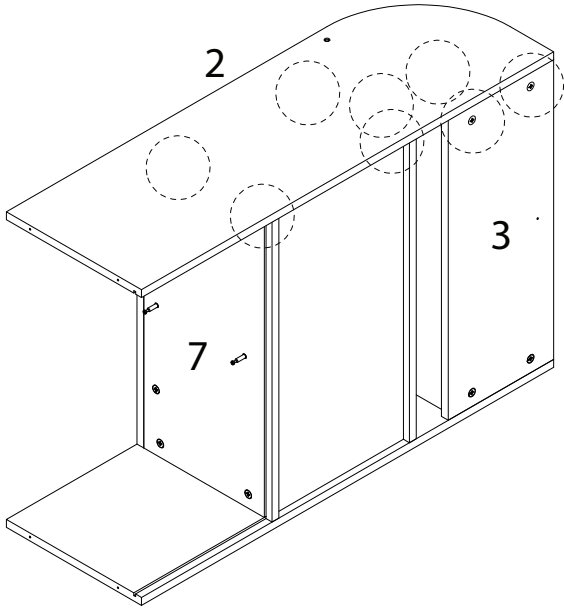


8

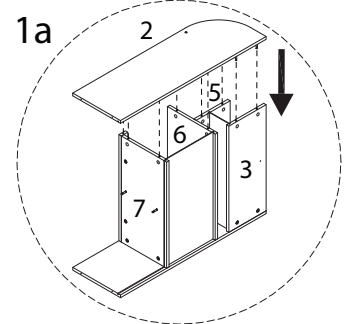
B



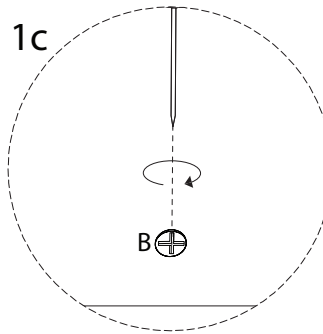
x 8



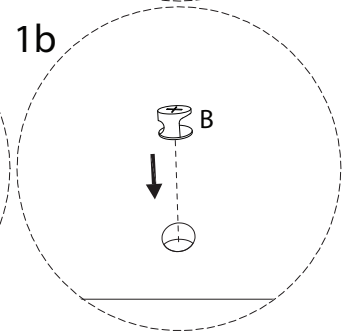
1a



1c

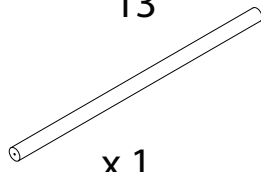


1b



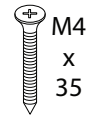
9

13

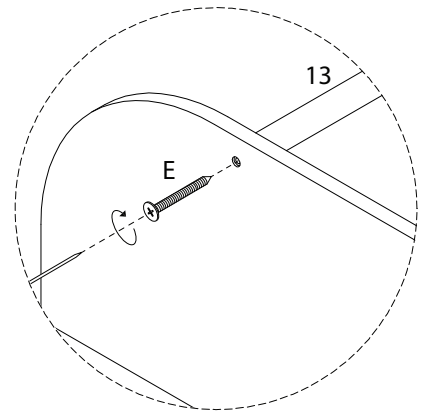
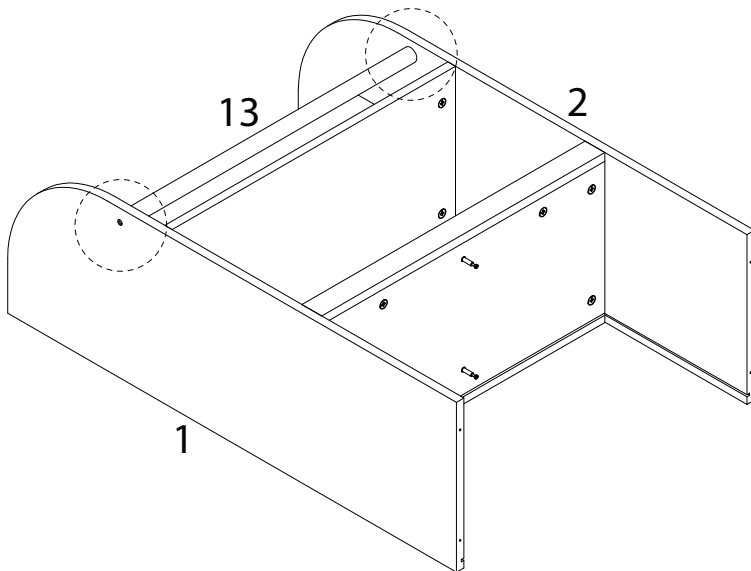


x 1

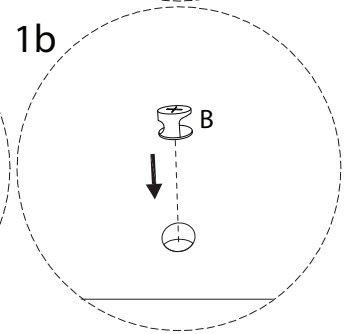
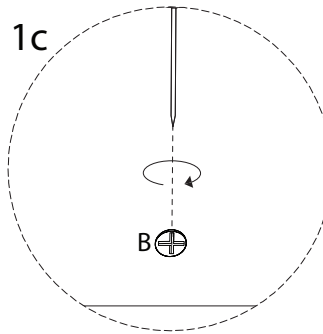
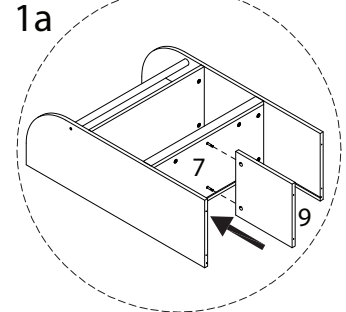
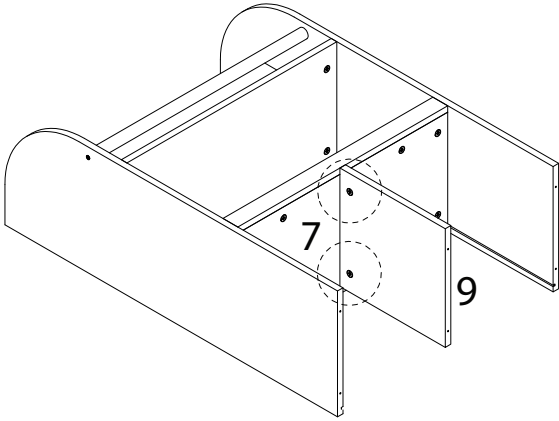
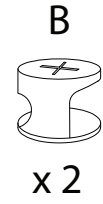
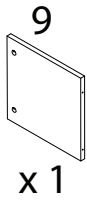
E



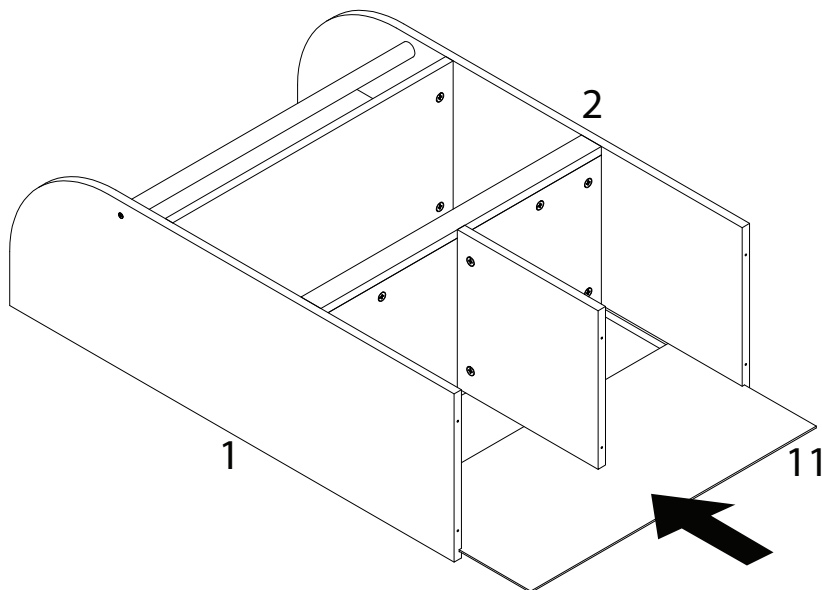
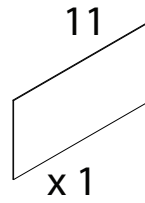
x 2



10

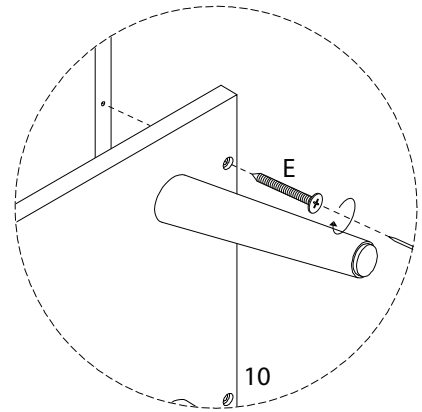
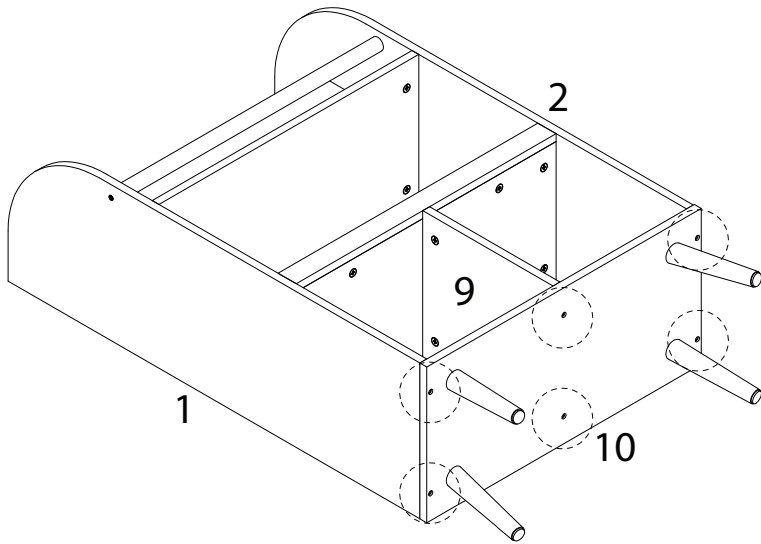


11



12

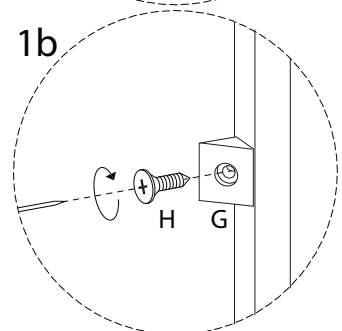
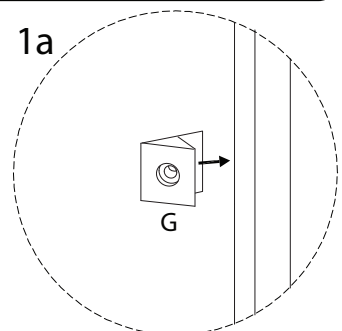
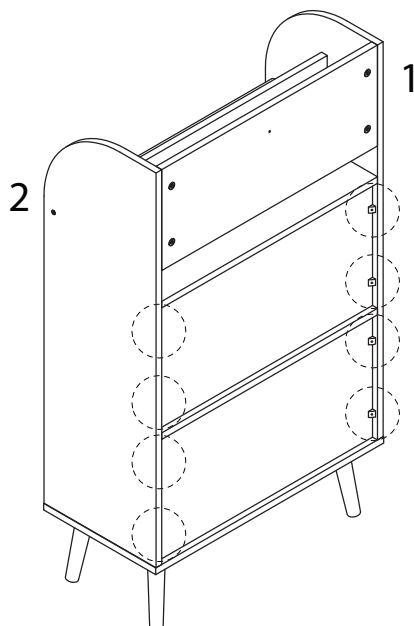
E
M4
x
35
x 6



13

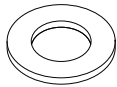
G
x 8

H
M3
x
12
x 8



14

K



x 1

H

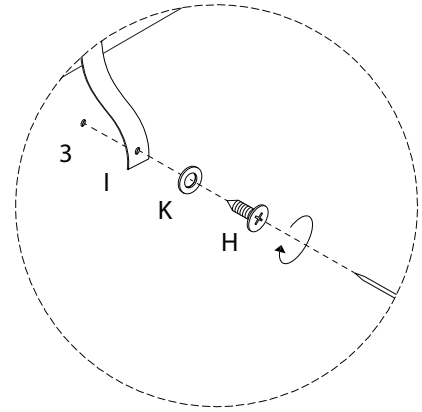
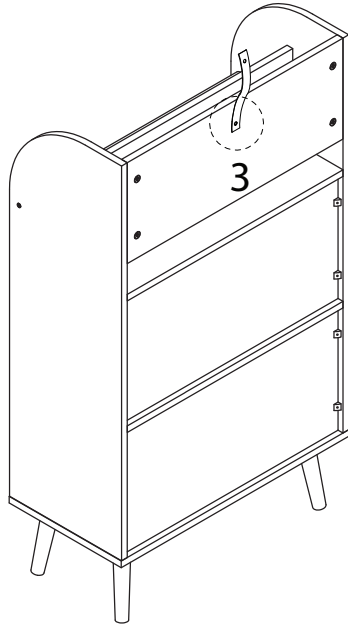


x 1

I

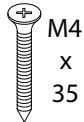


x 1



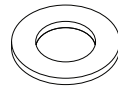
15

L



x 1

K



x 1

J



x 1

