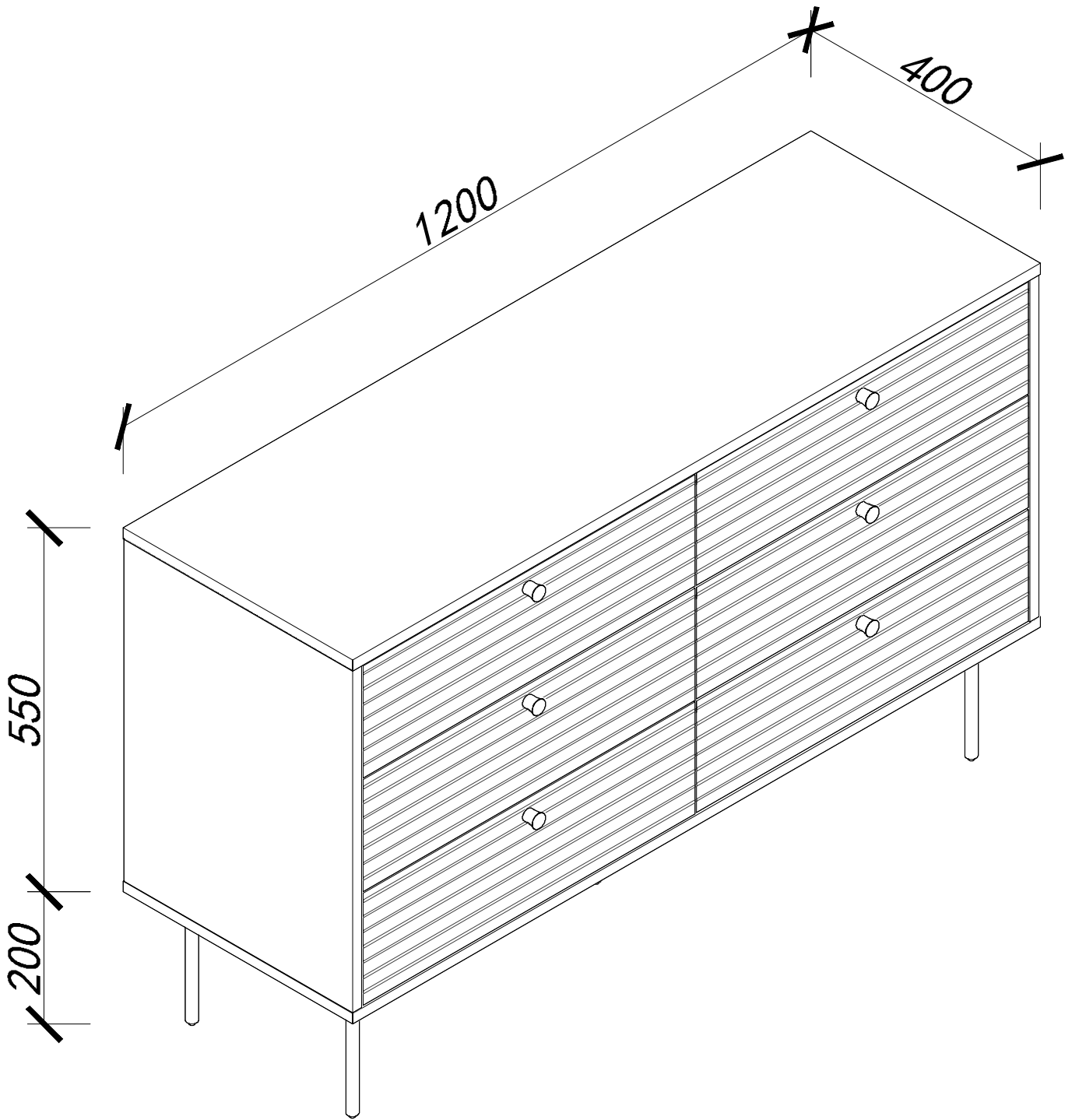
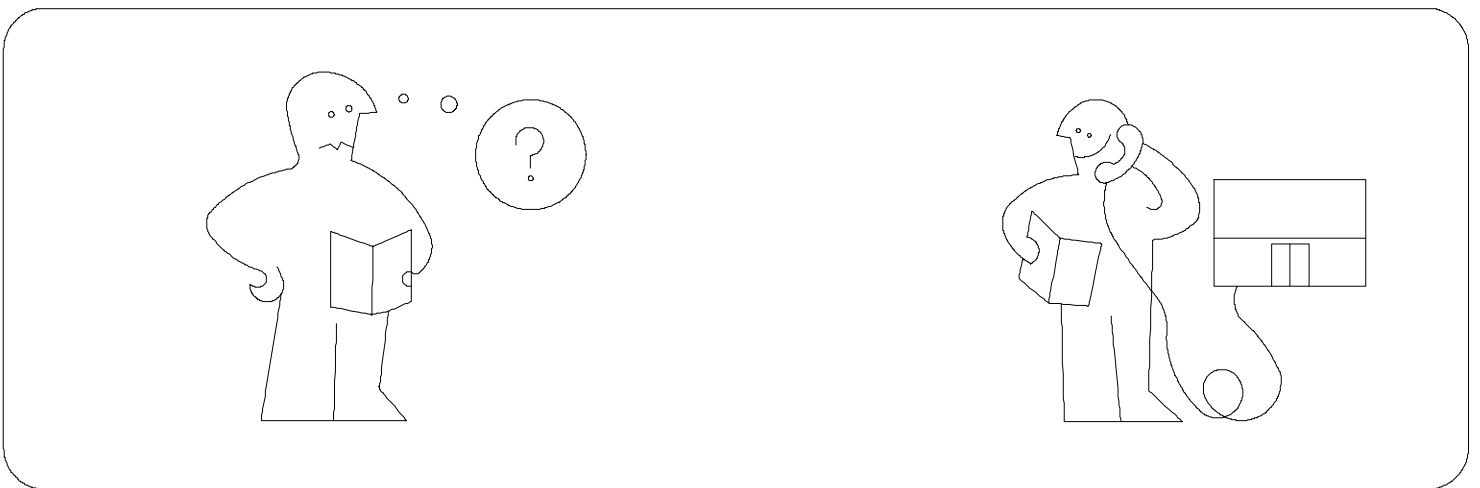
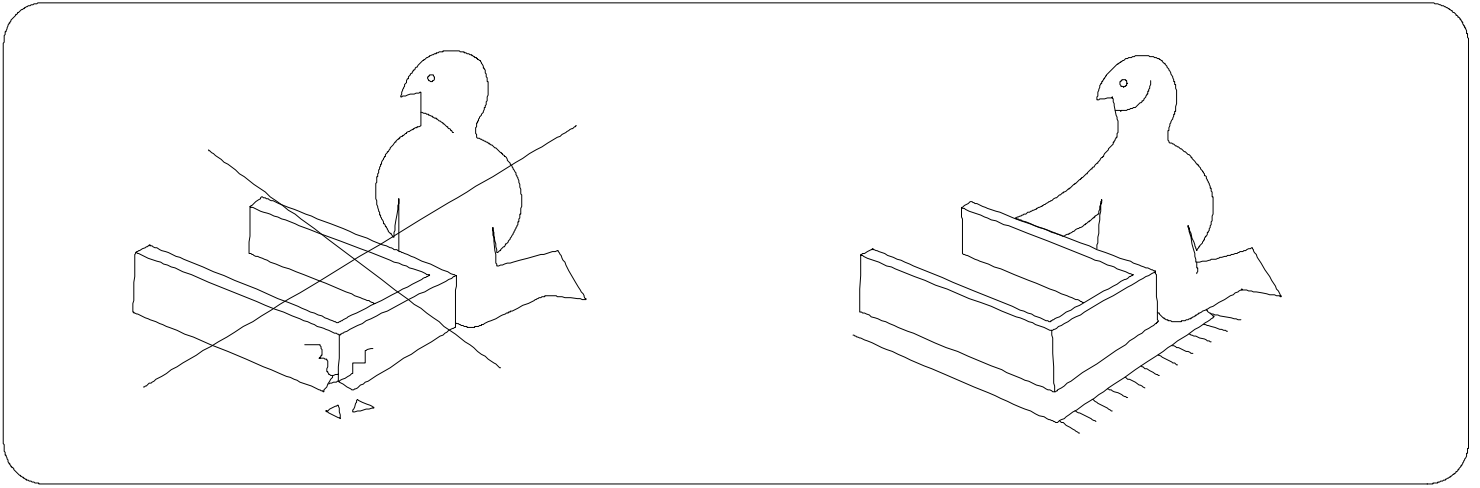
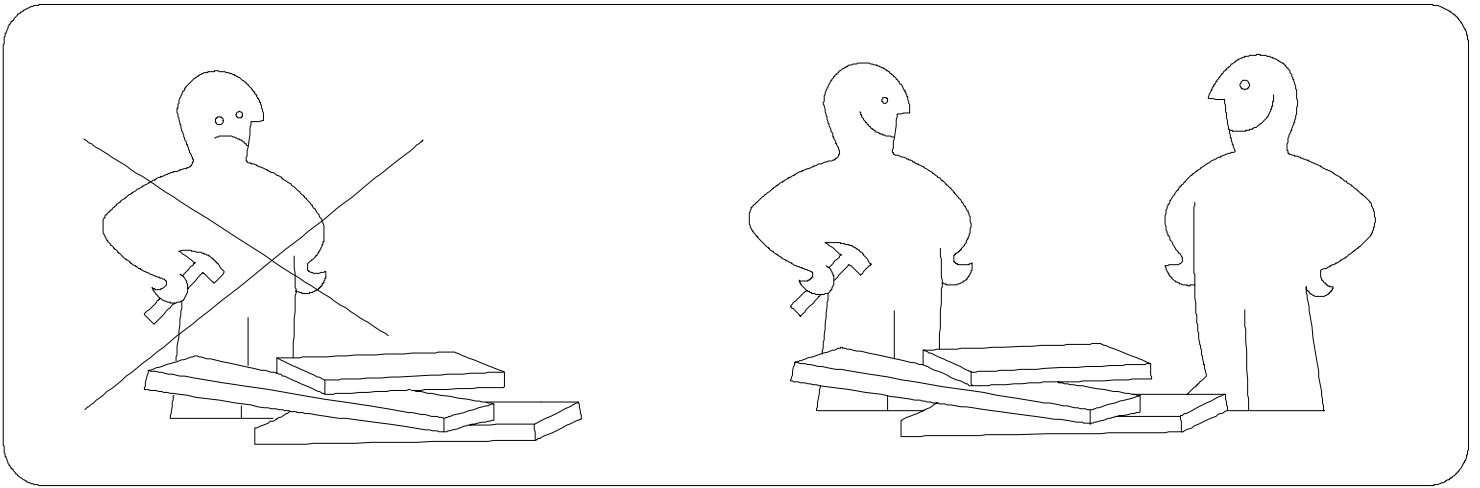
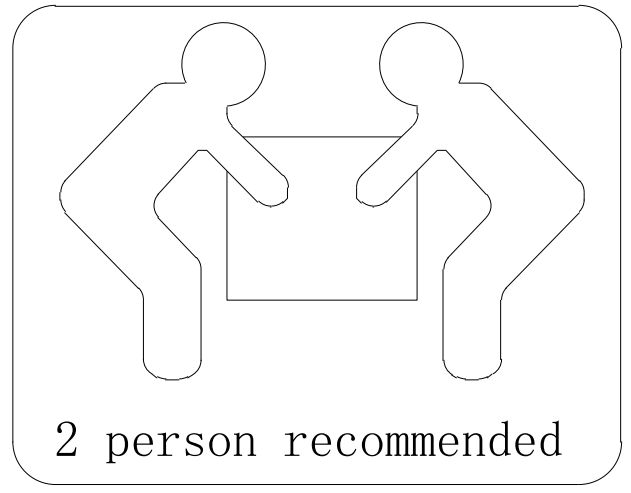
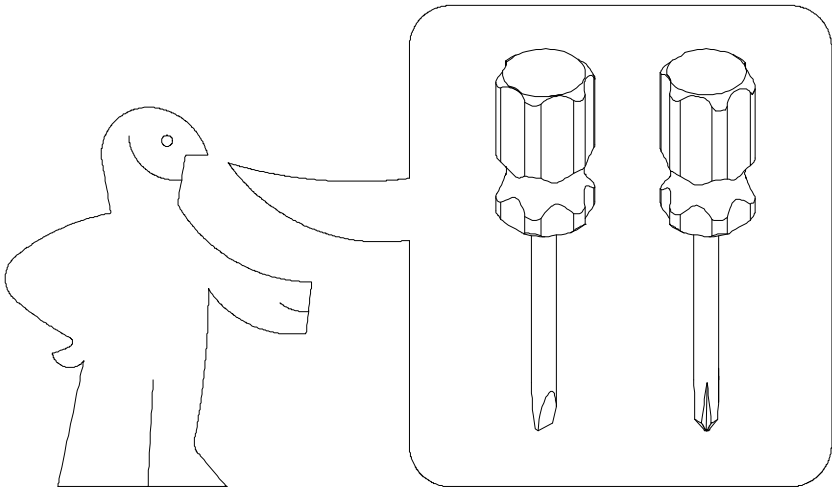


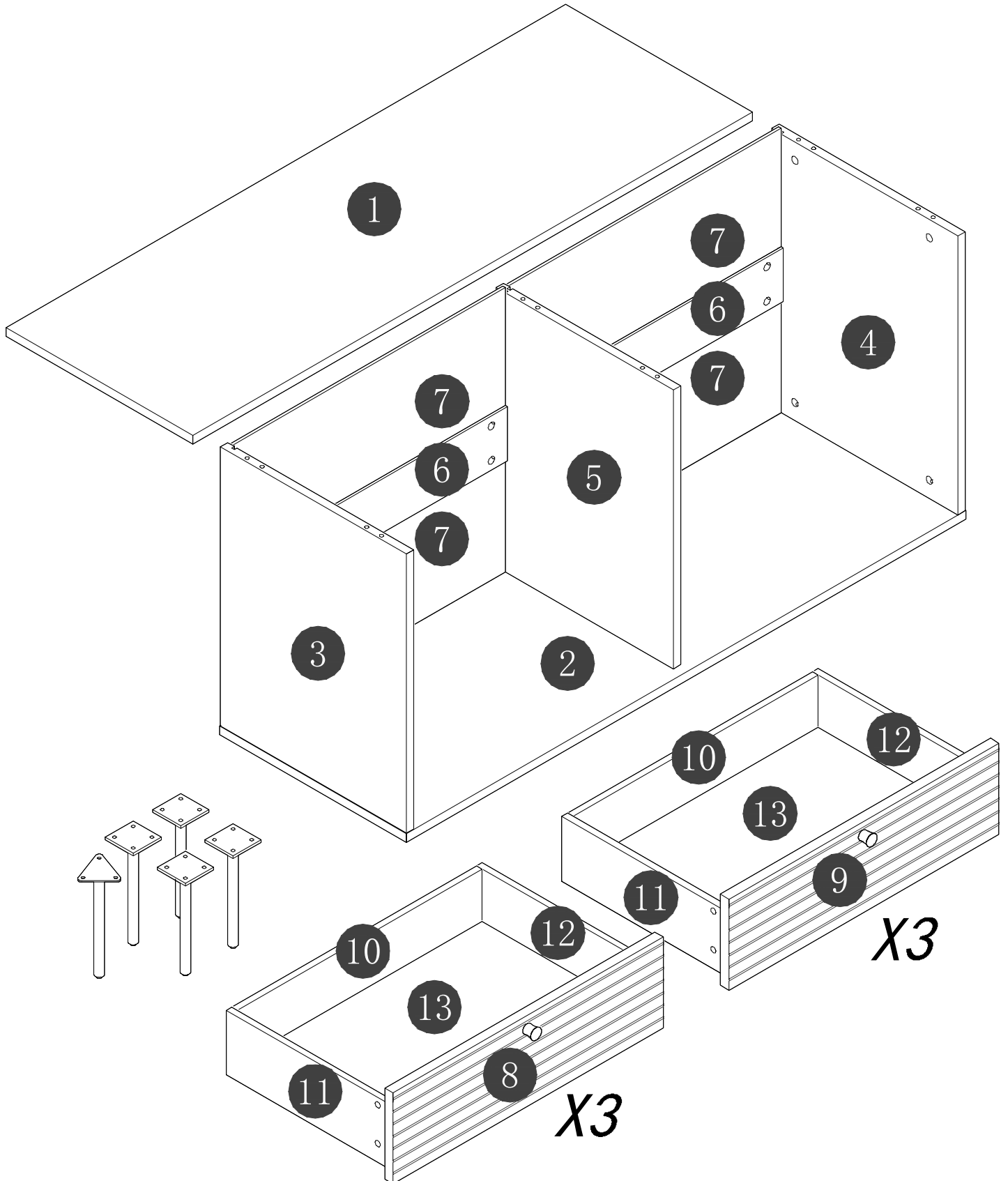
# Assembly Instruction





Panel No	Panel Sizes	Quantity
1	1200*400*16	1
2	1200*400*16	1
3	518*399*16	1
4	518*399*16	1
5	518*380*16	1
6	575*100*16	2
7	585*219*5	4

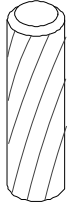
Panel No	Panel Sizes	Quantity
8	579*169*18	3
9	579*169*18	3
10	525*120*12	6
11	350*120*12	6
12	350*120*12	6
13	535*348*5	6



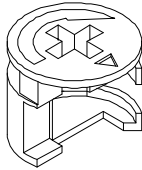
# Fittings



A=20



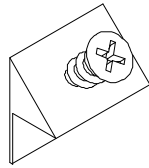
B=12



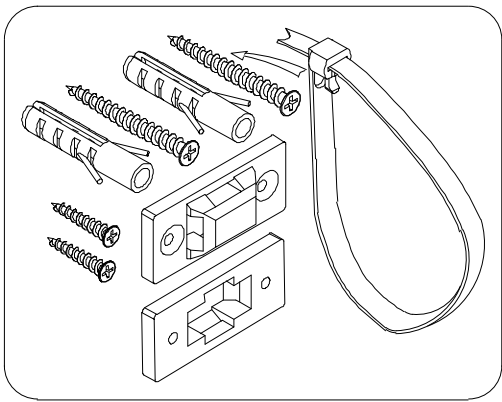
C=20



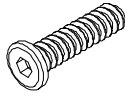
D=68



E=16



F=1

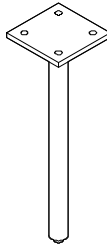


M6\*16

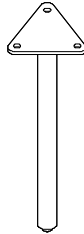
G=19



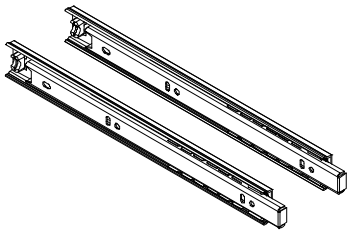
H=1



J-1=4



J-2=1



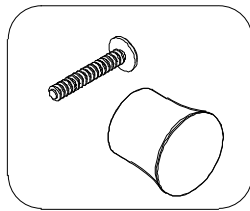
N=6



O=48



P=48



U=6



M3.5\*12

V1=48

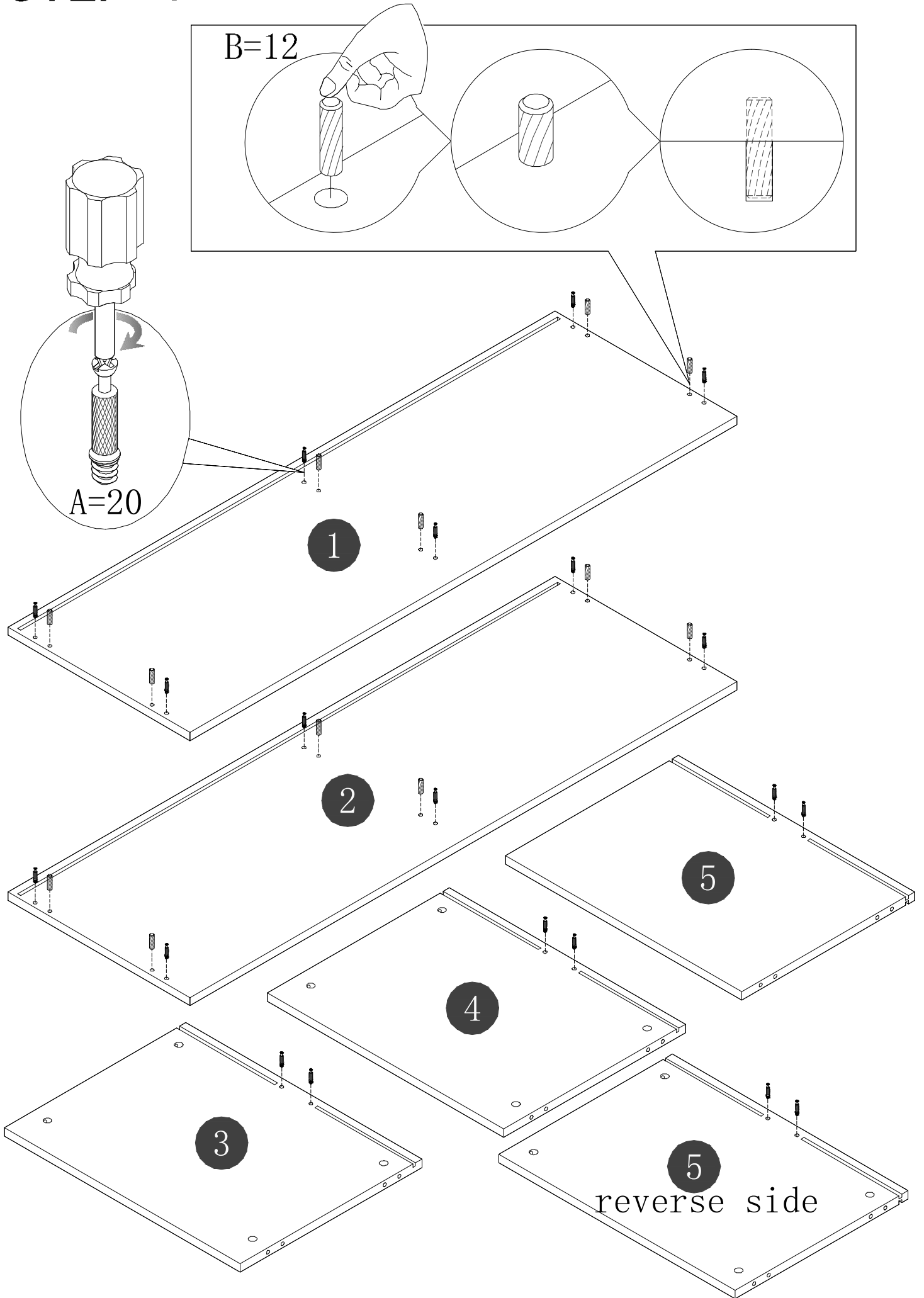


Z1=19

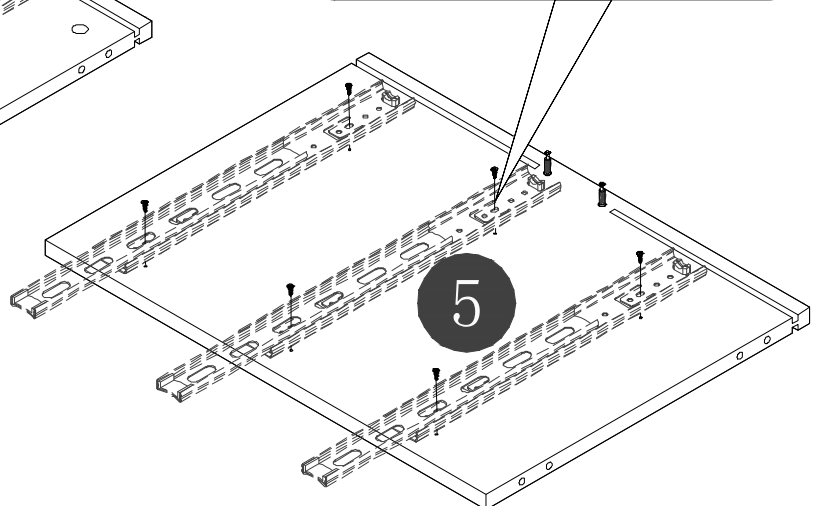
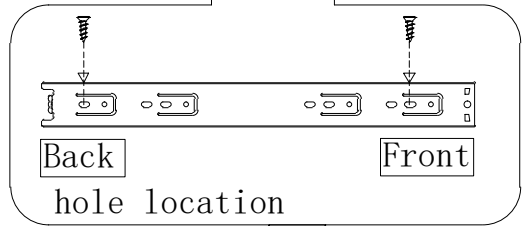
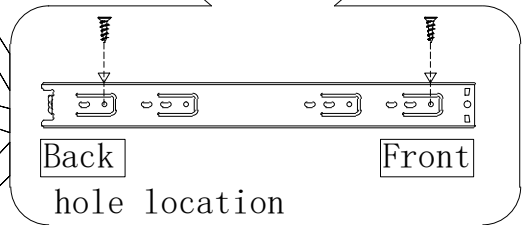
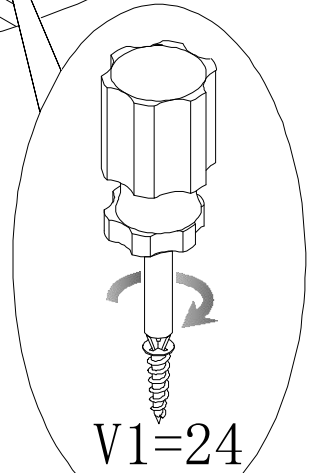
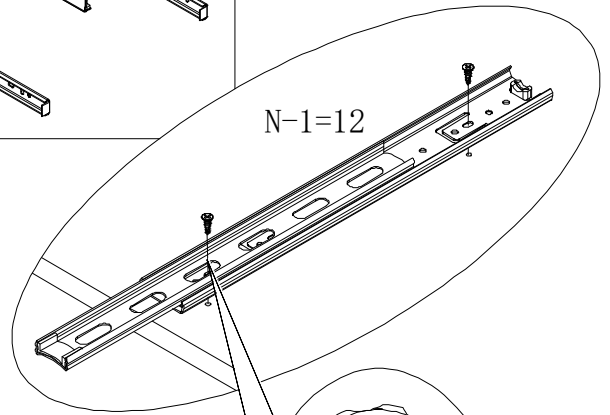
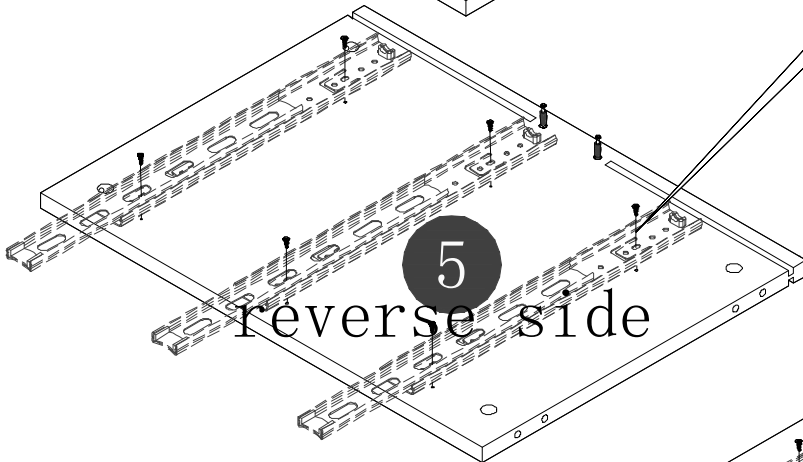
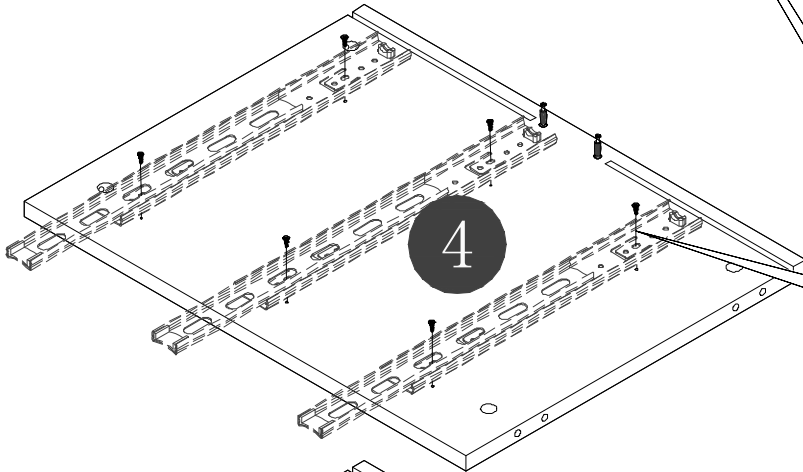
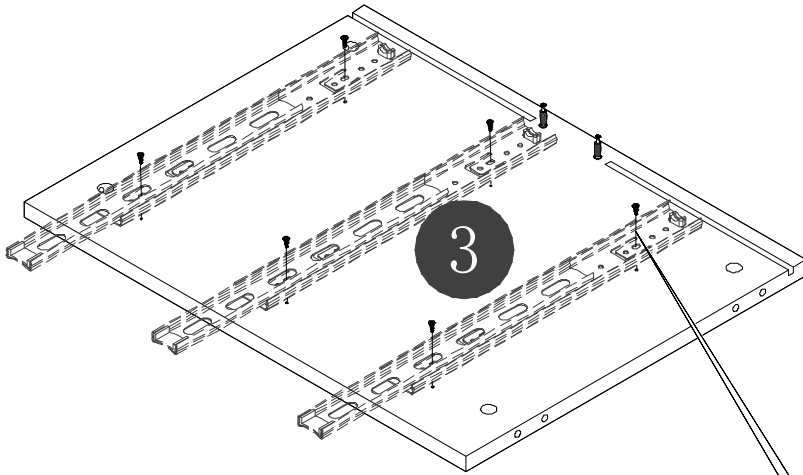
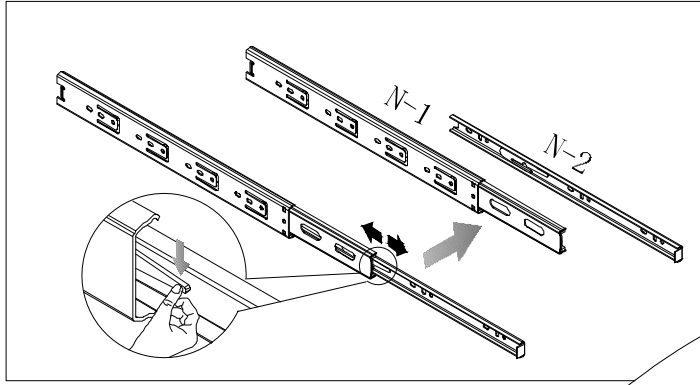


Z2=19

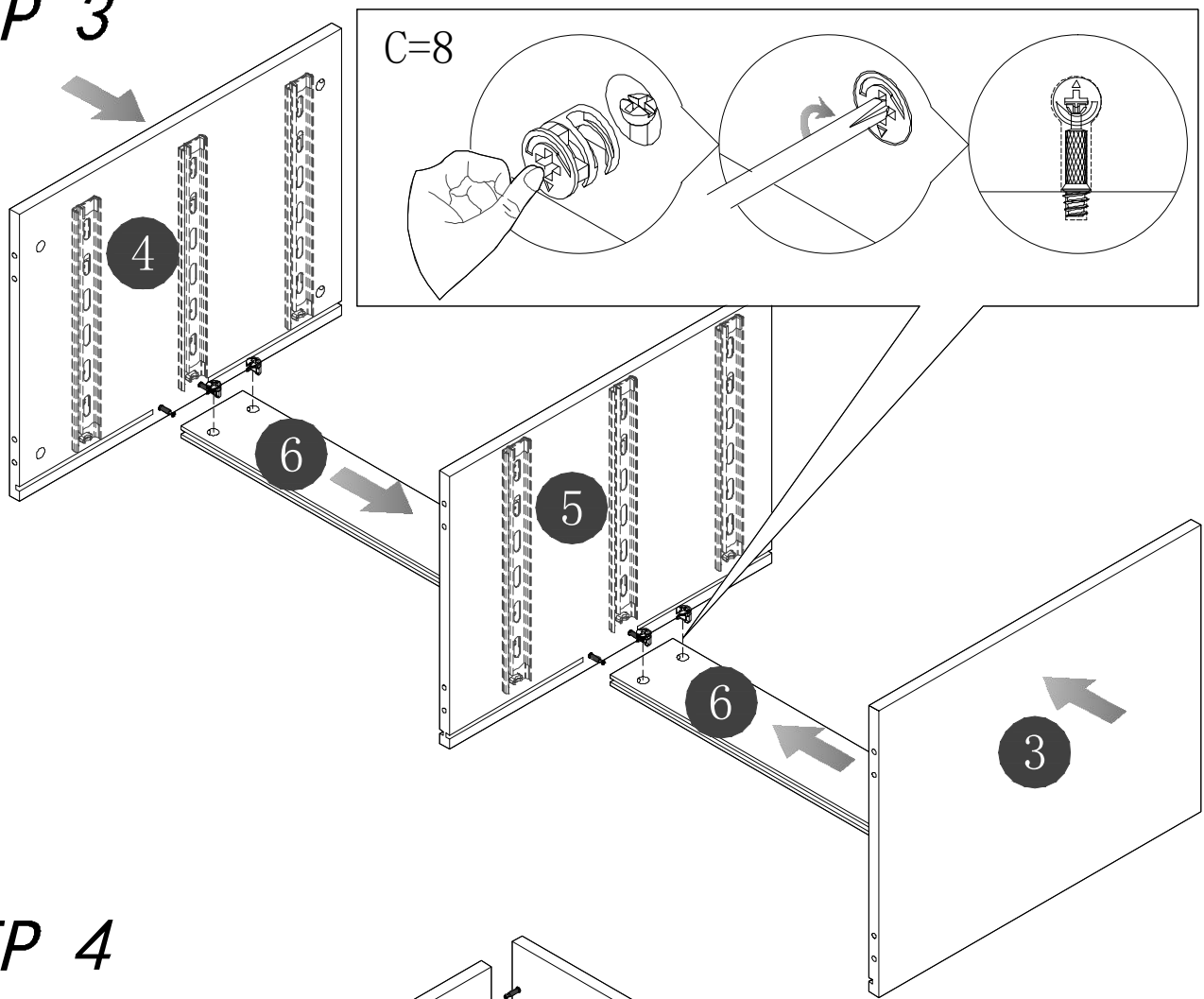
# STEP 1



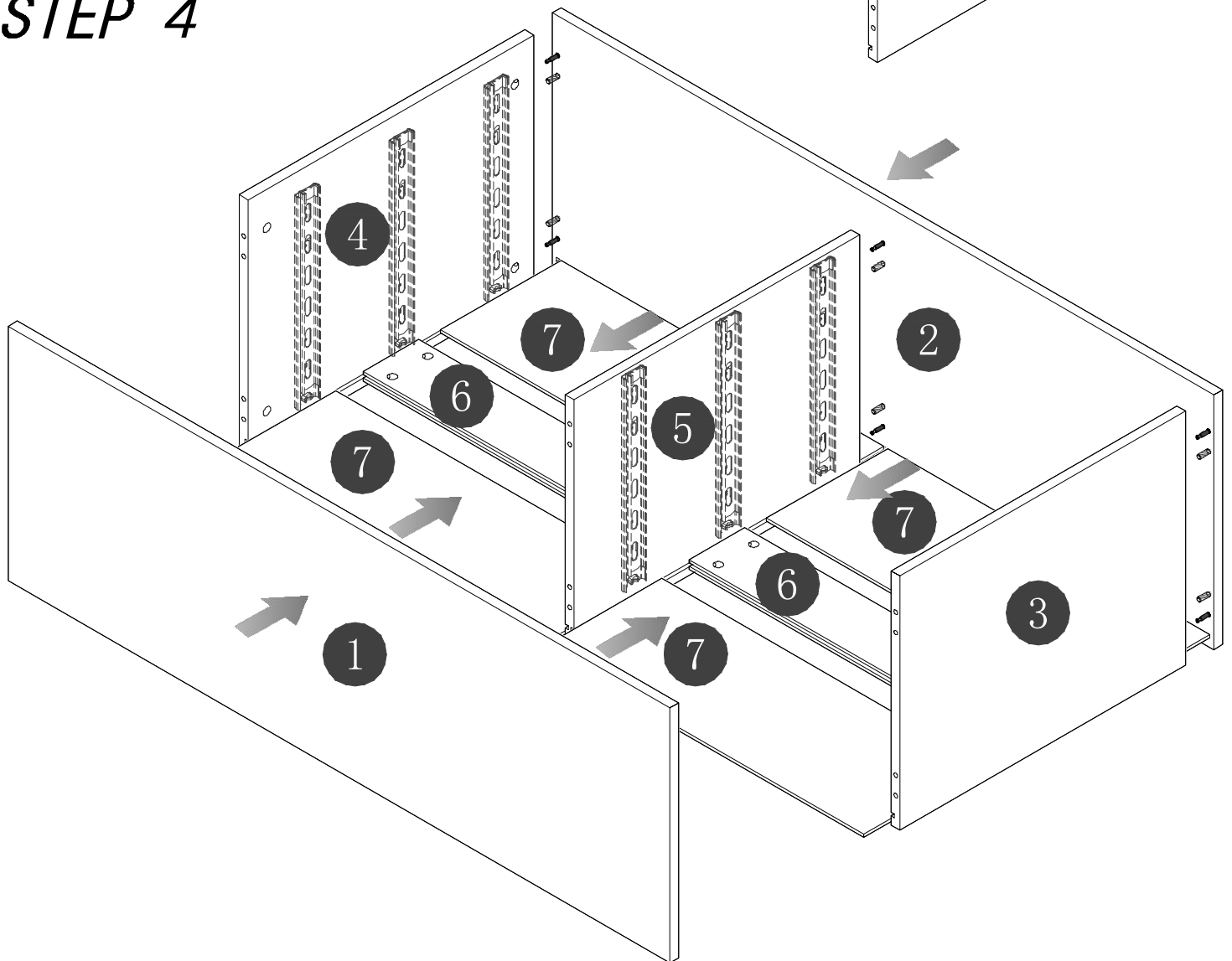
# STEP 2



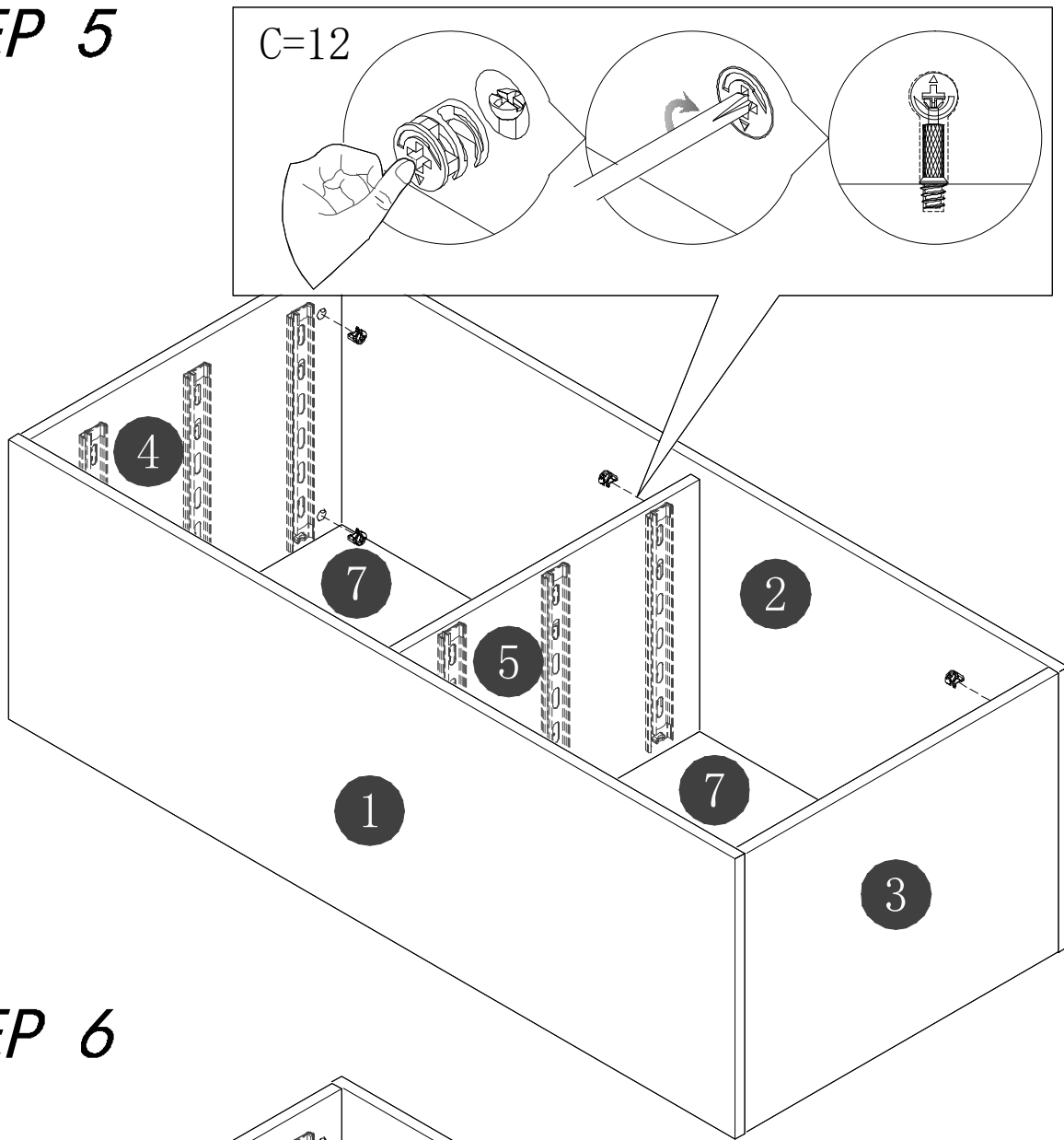
# STEP 3



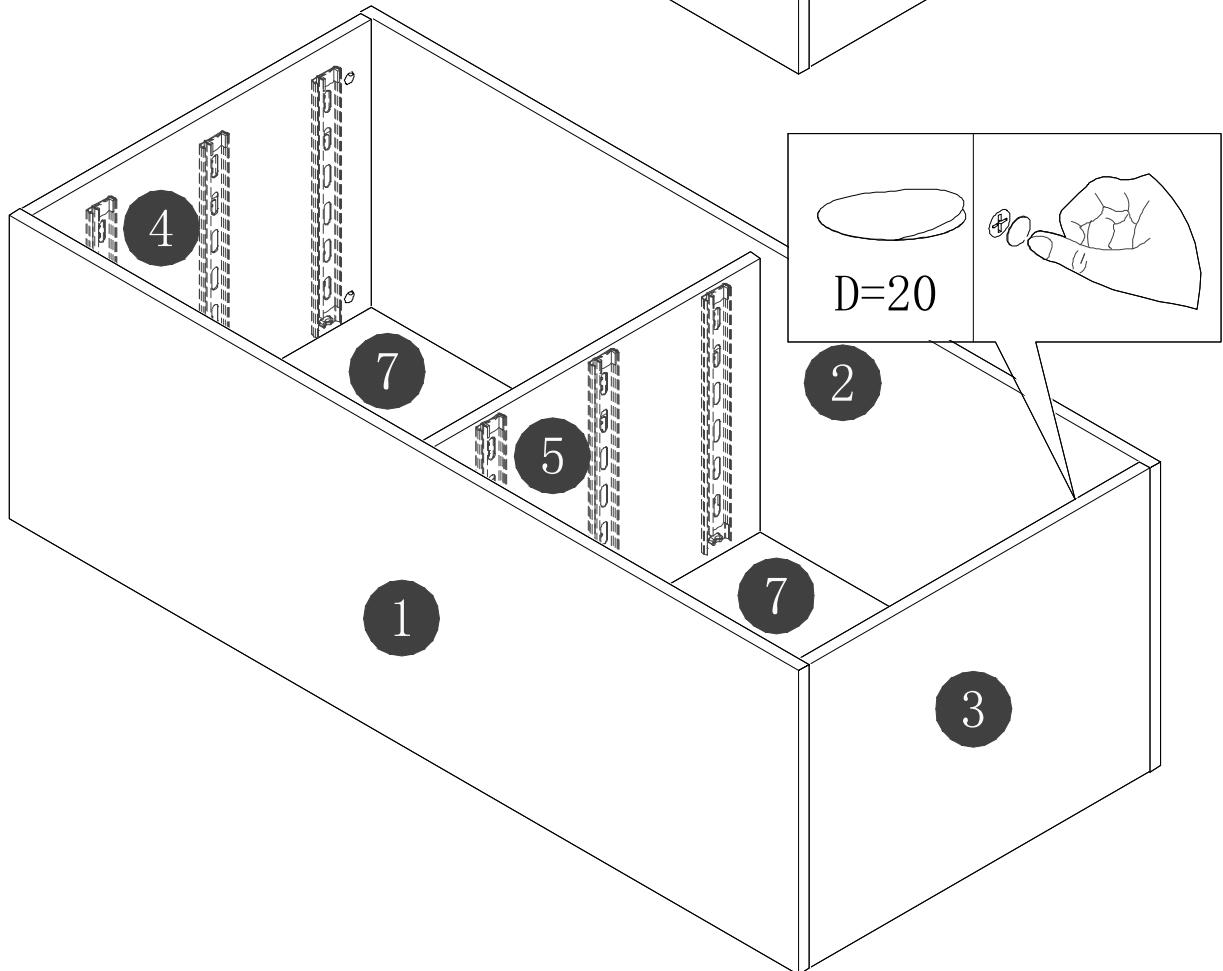
# STEP 4



# STEP 5

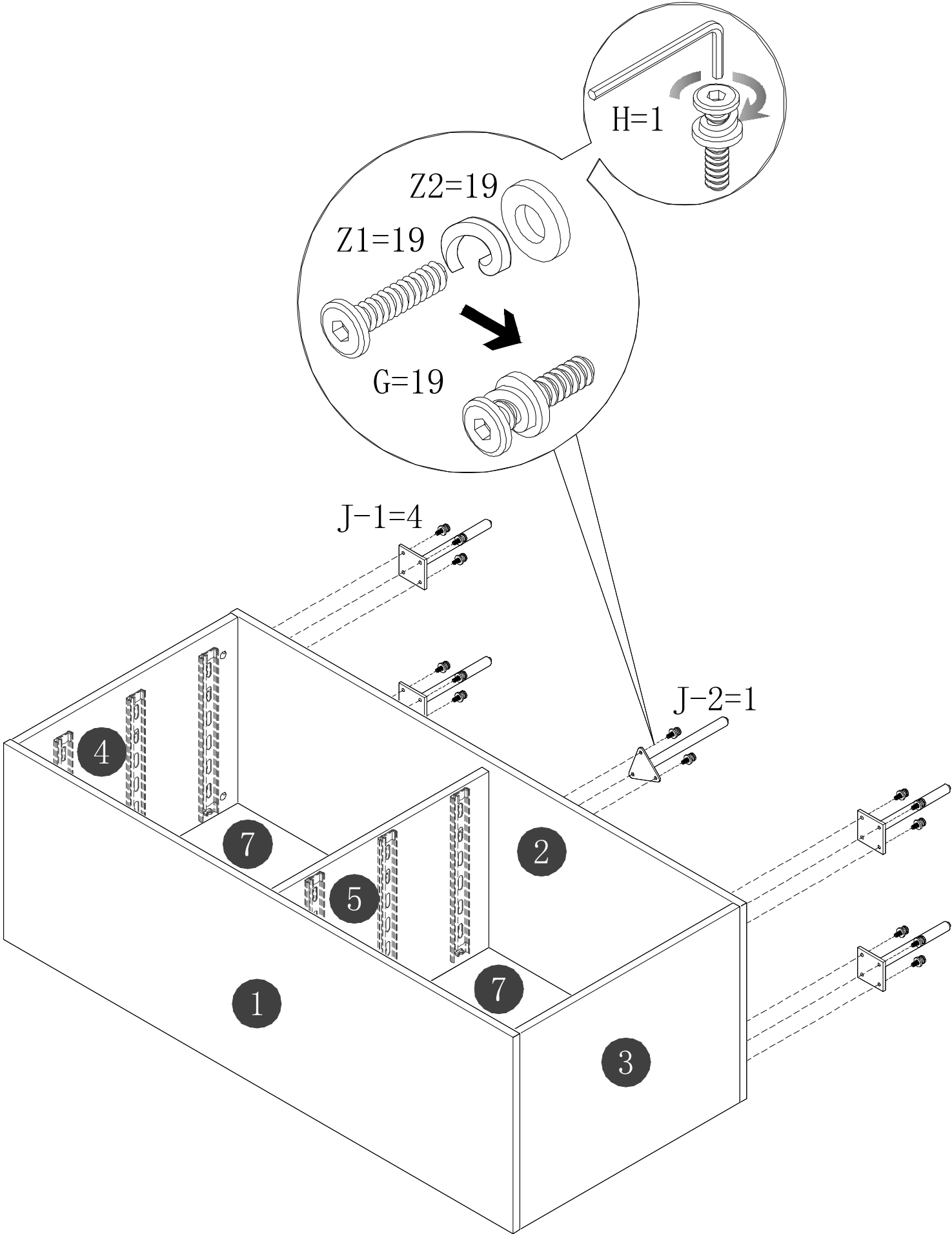


# STEP 6



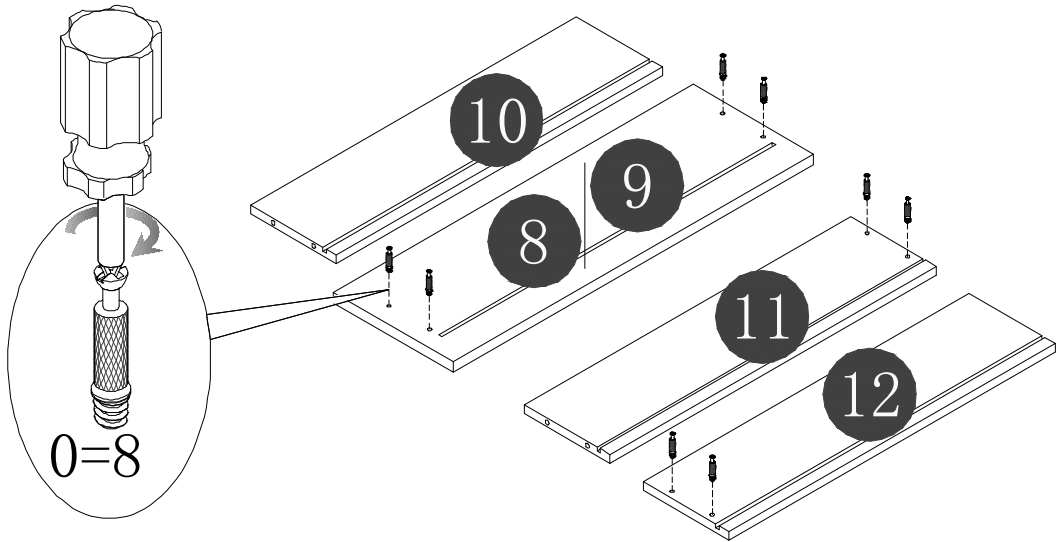


# STEP 7

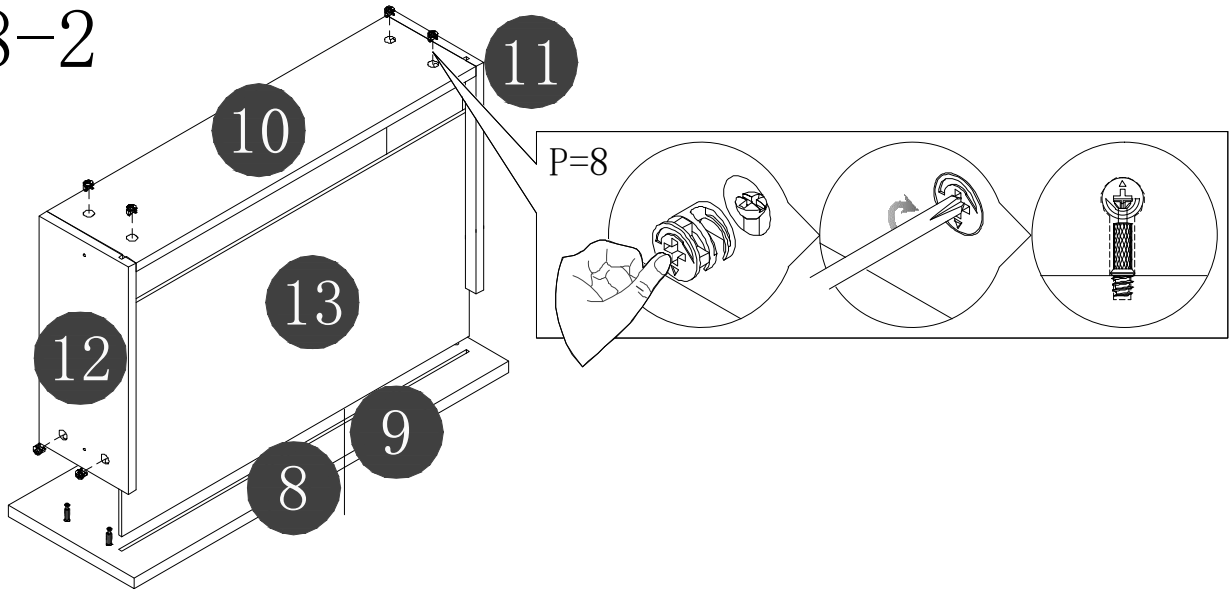


# STEP 8

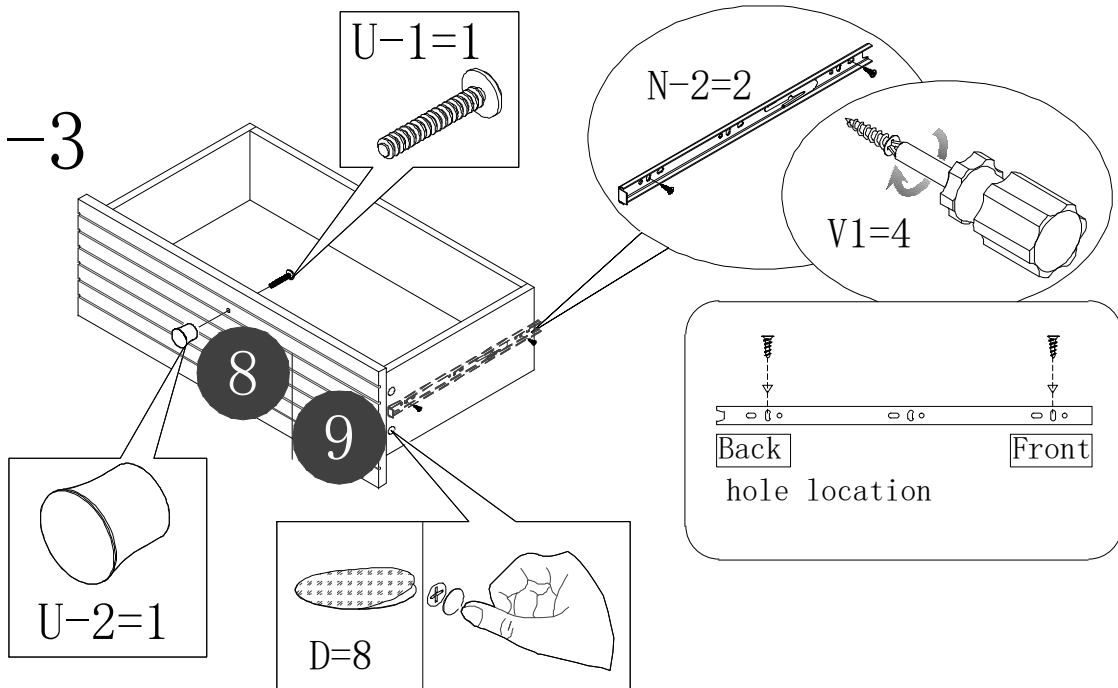
8-1



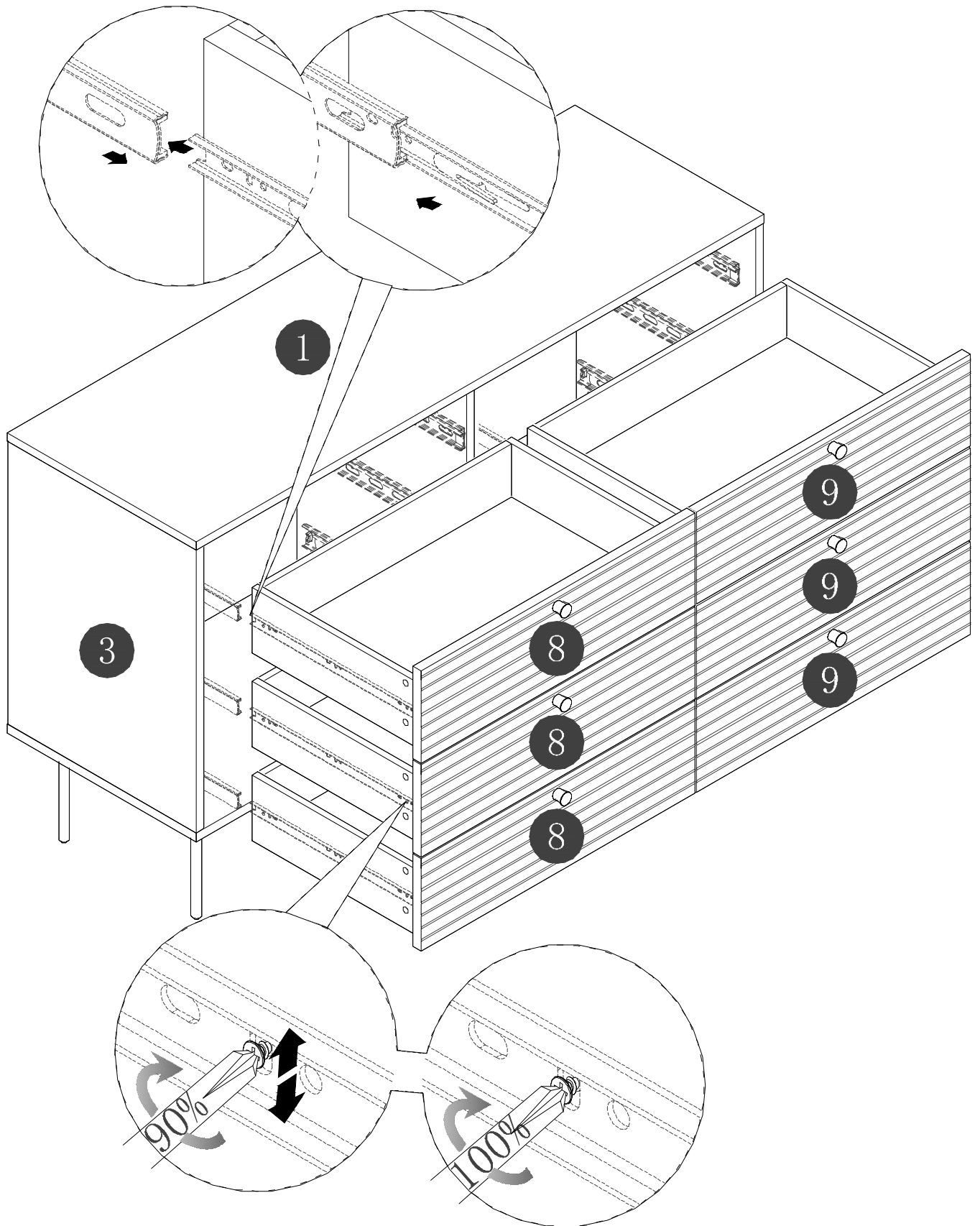
8-2



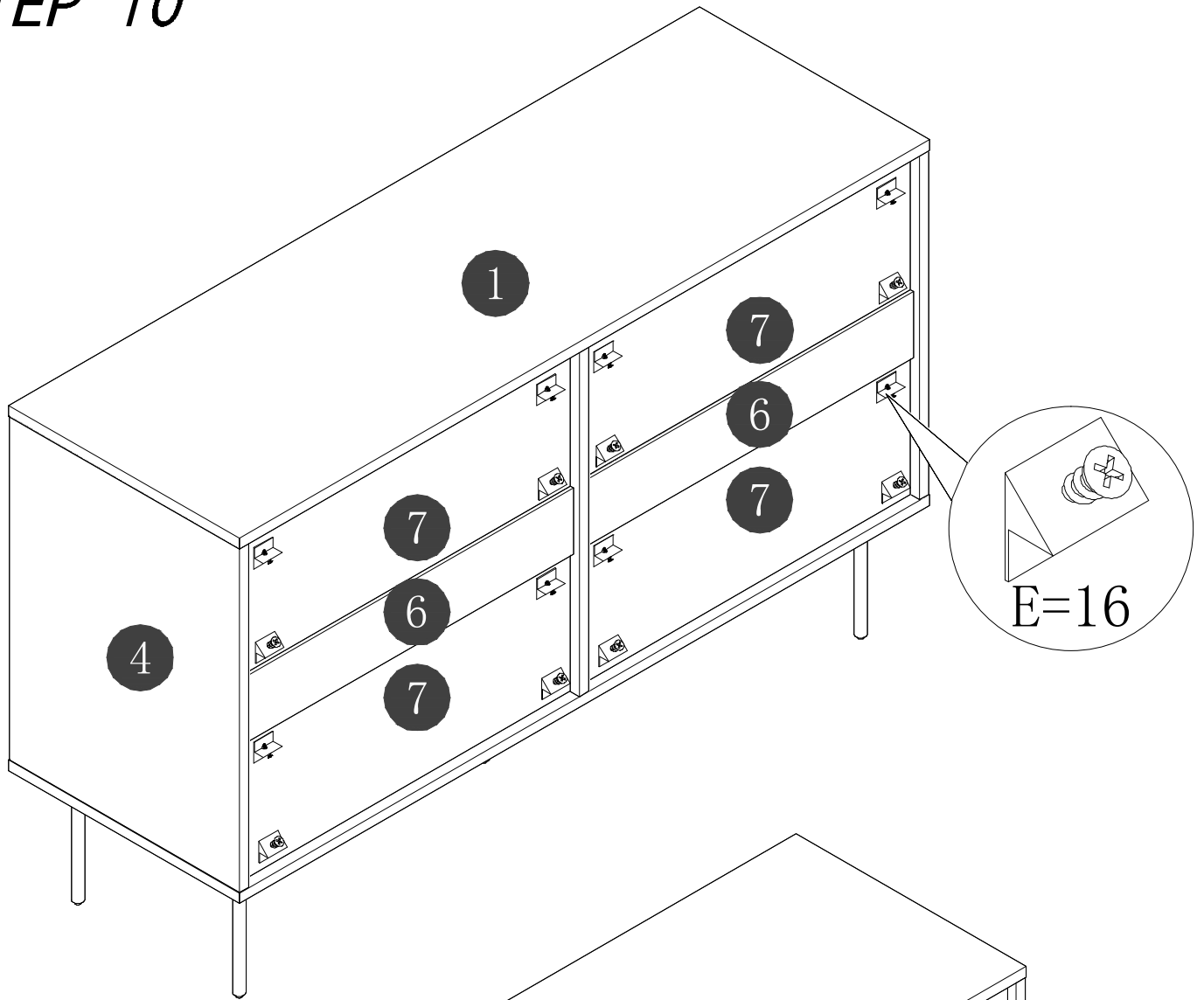
8-3



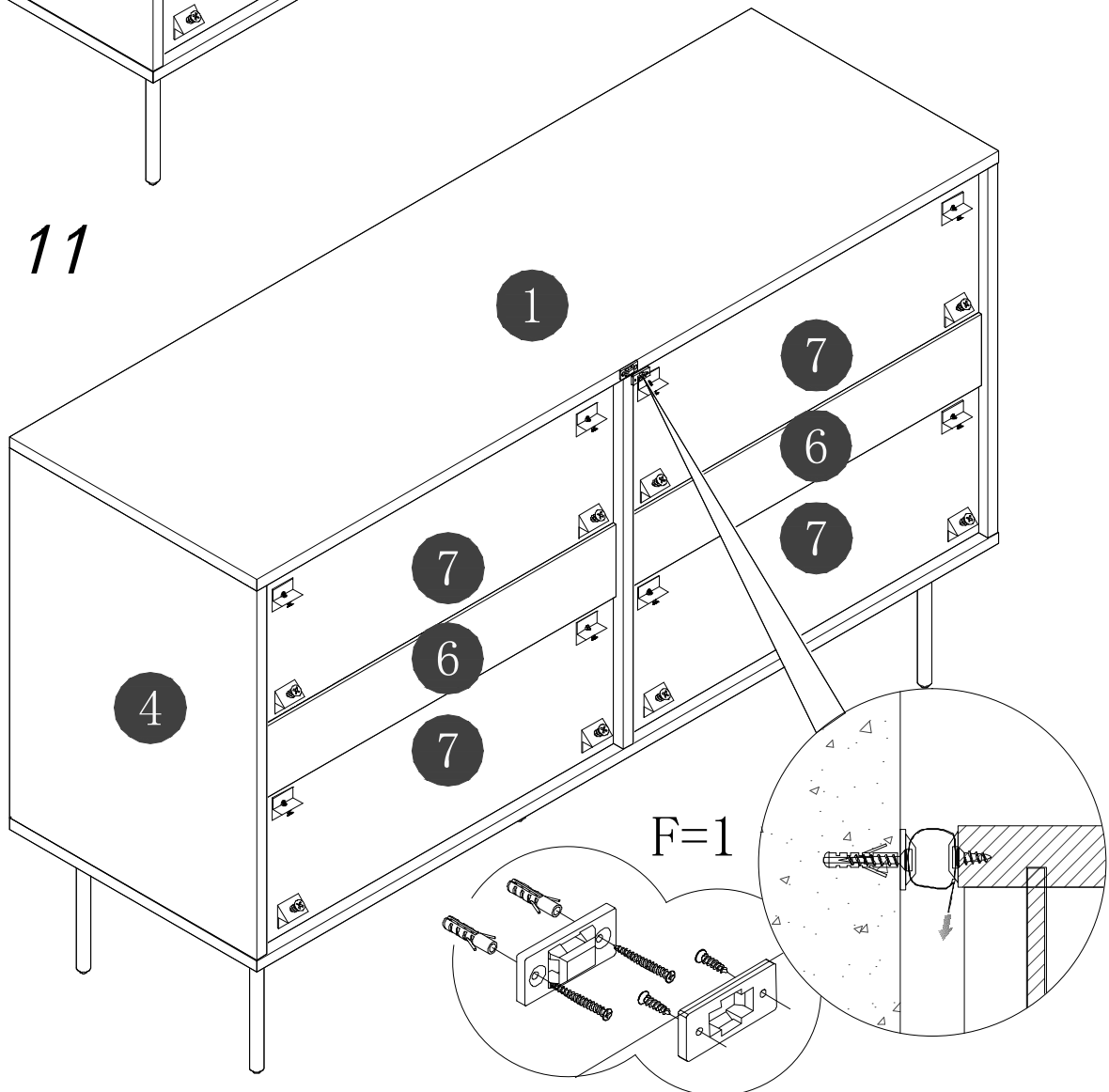
# STEP 9



# STEP 10



# STEP 11



# STEP 12



*Finish*