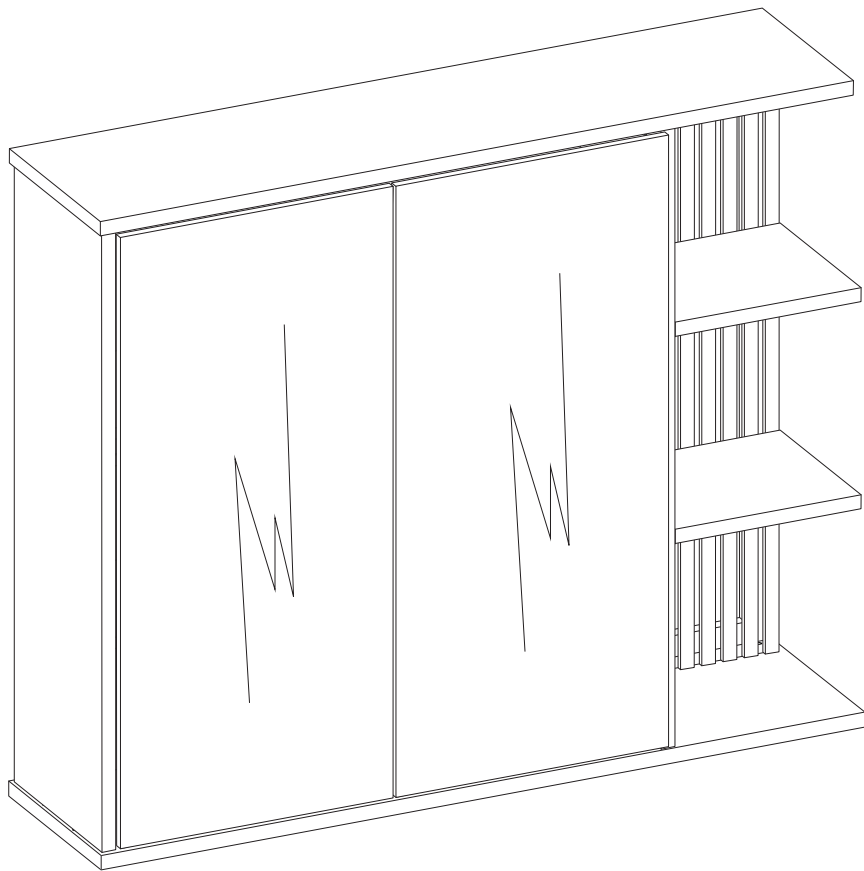
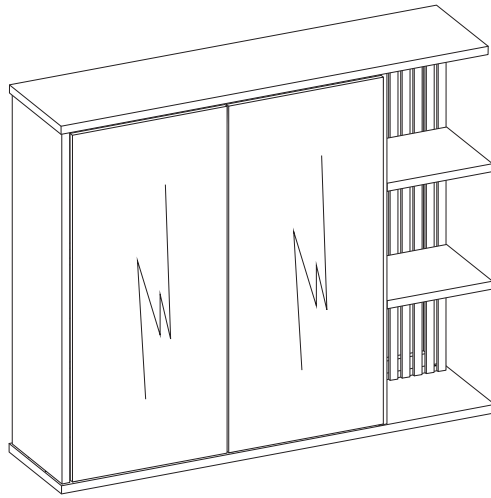
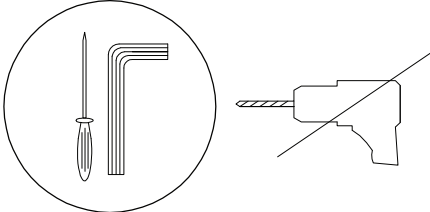

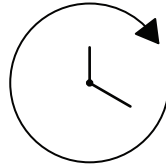
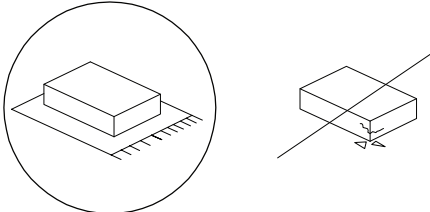

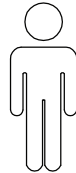
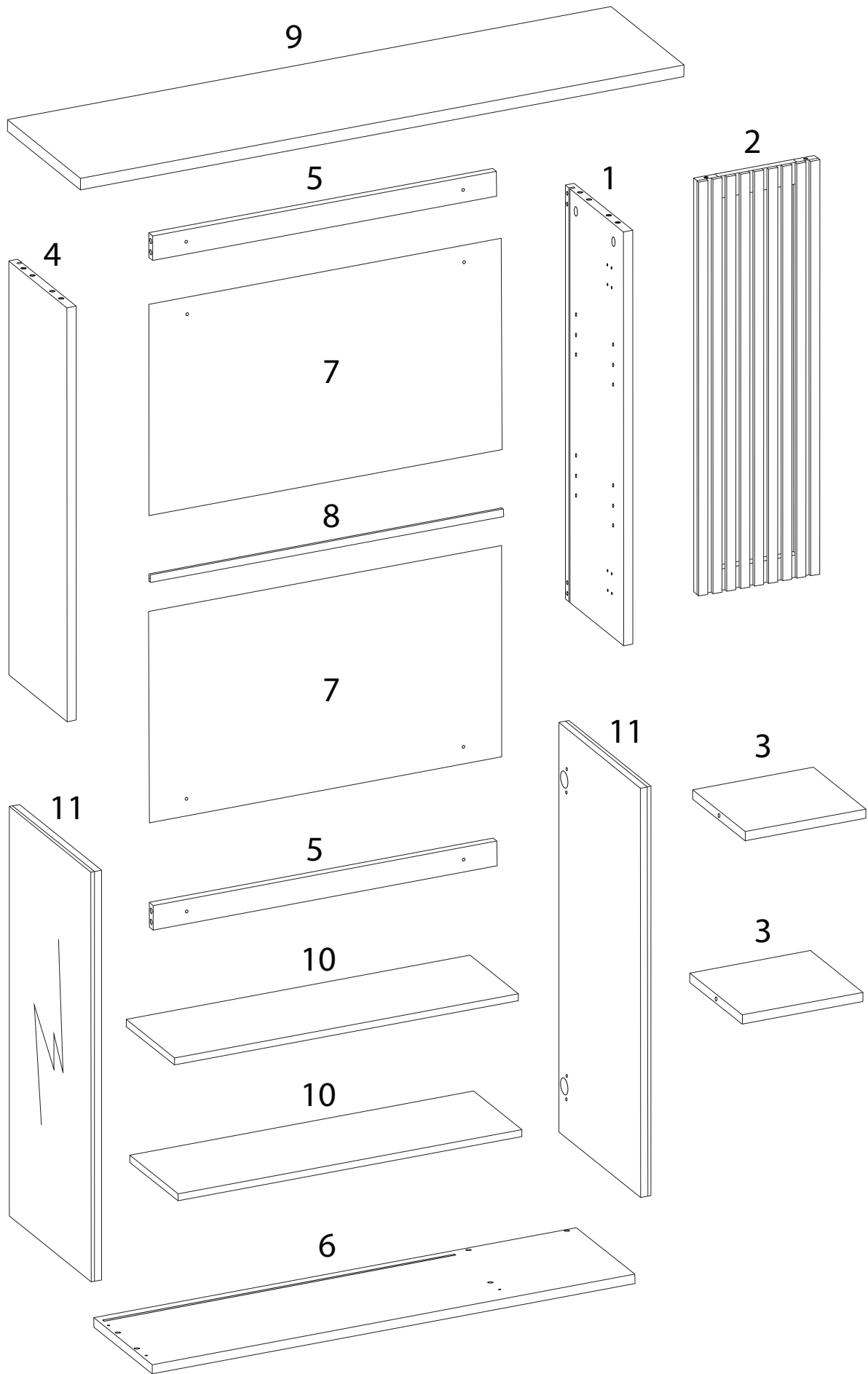


# NUBES





		
		<p>30'</p>
		
		<p>2</p>

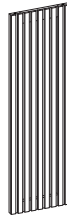


1



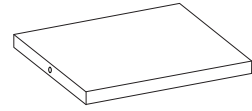
x 1

2



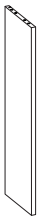
x 1

3



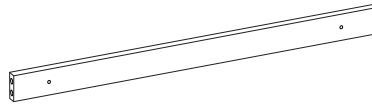
x 2

4



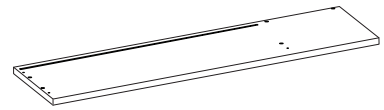
x 1

5



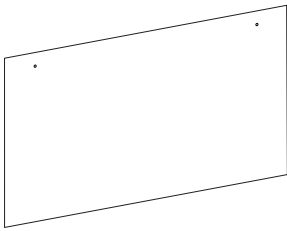
x 2

6



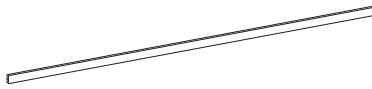
x 1

7



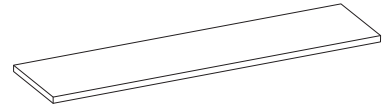
x 2

8



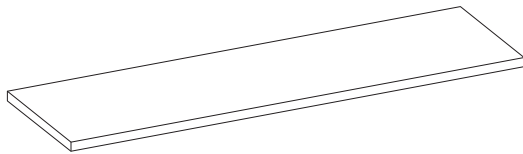
x 1

9



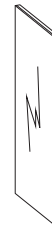
x 1

10



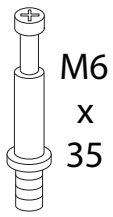
x 2

11



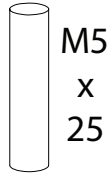
x 2

A



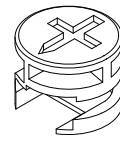
x 12

B



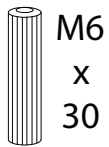
x 8

C



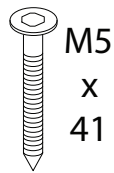
x 12

D



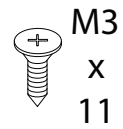
x 8

E



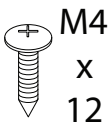
x 6

F



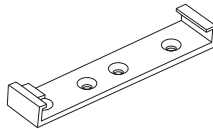
x 4

G



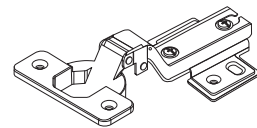
x 24

H



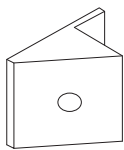
x 2

I



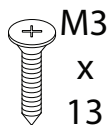
x 4

J



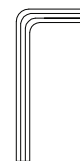
x 4

K



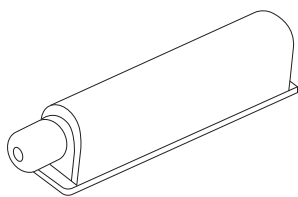
x 4

L



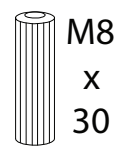
x 1

M



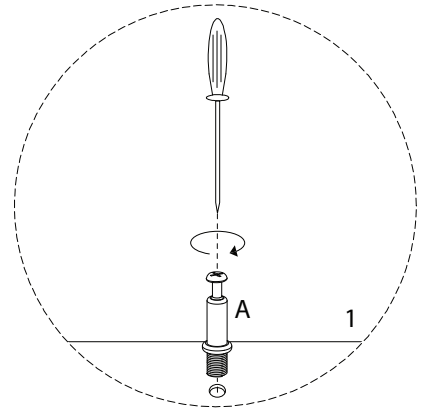
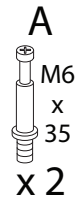
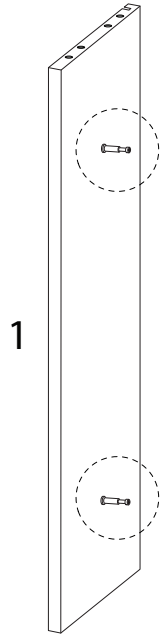
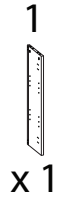
x 2

N

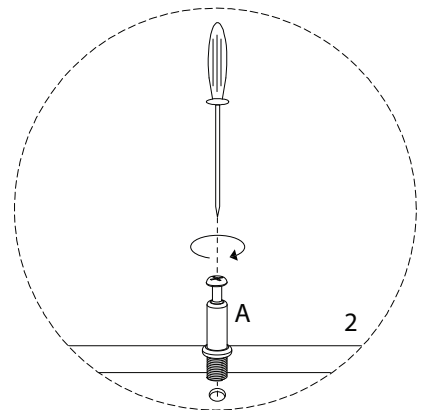
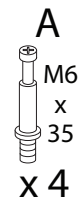
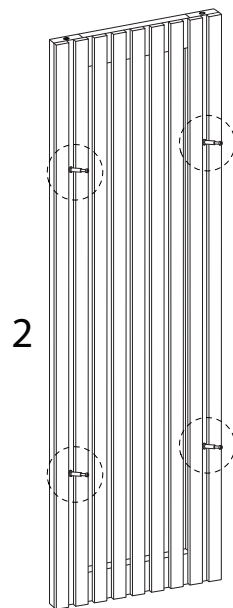
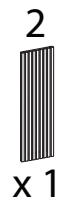


x 8

1

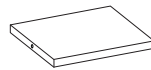


2

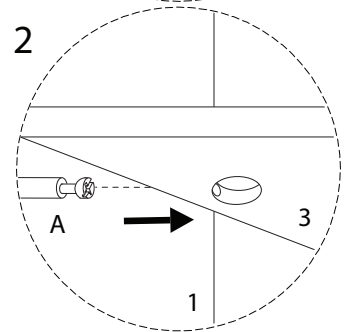
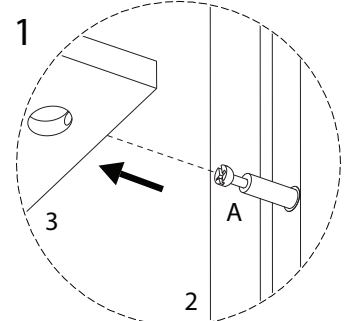
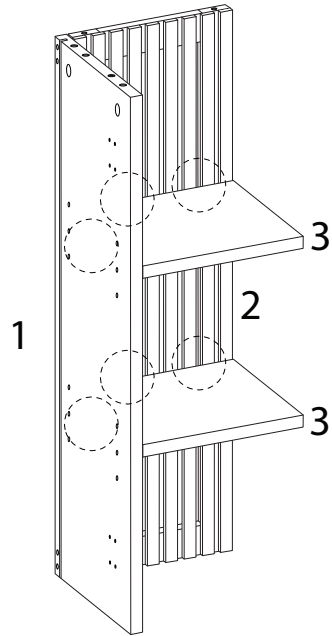


3

3



x2

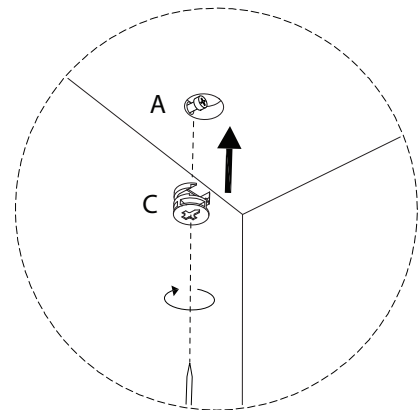
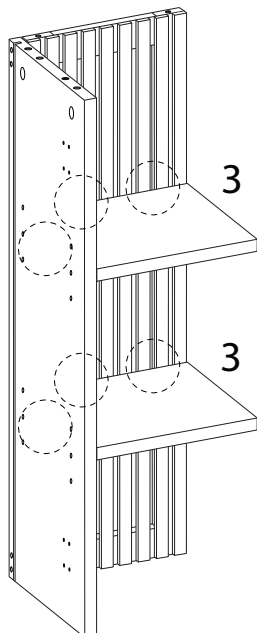


4

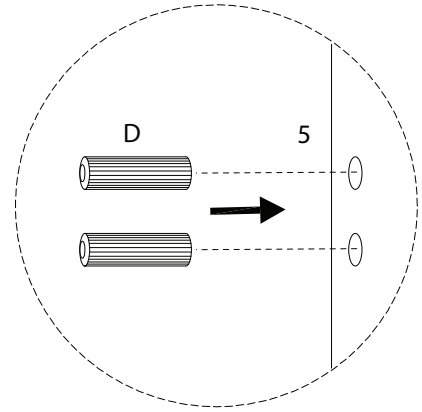
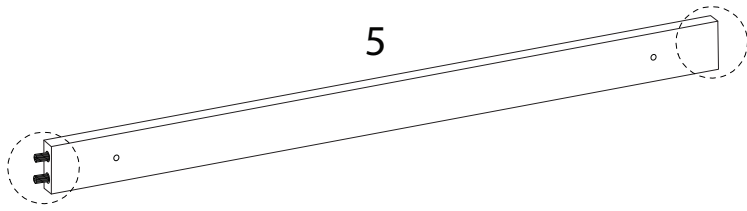
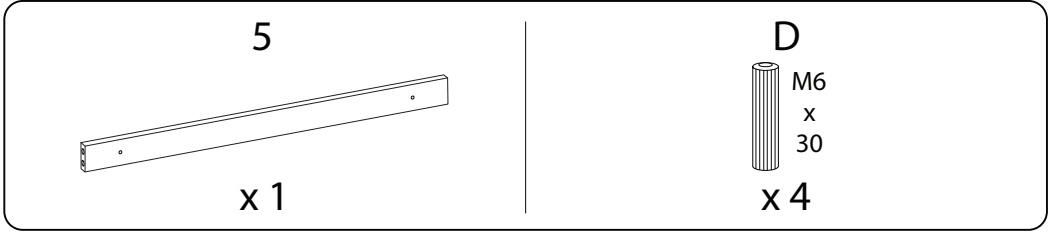
C



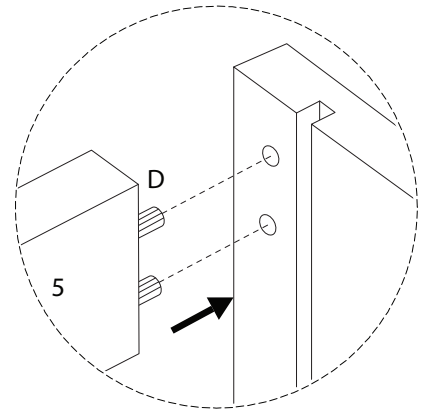
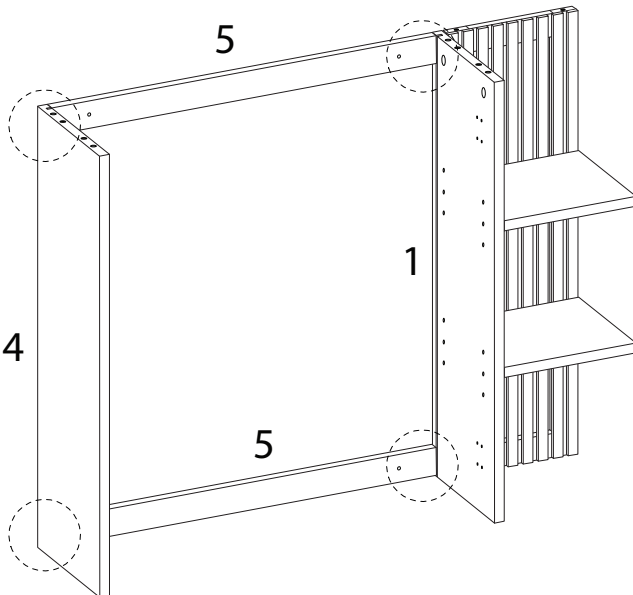
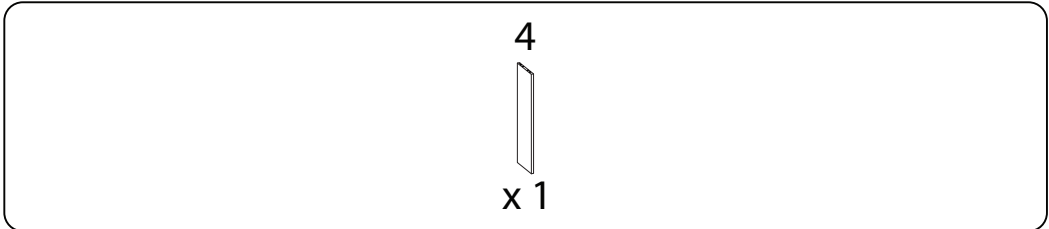
x6



5 x 2



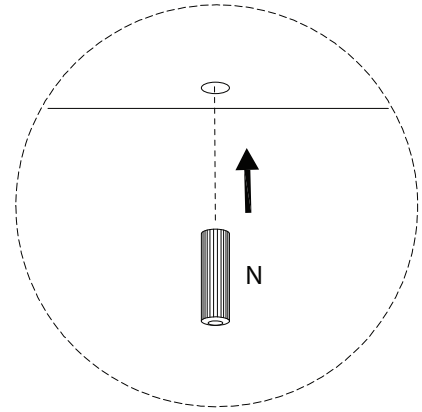
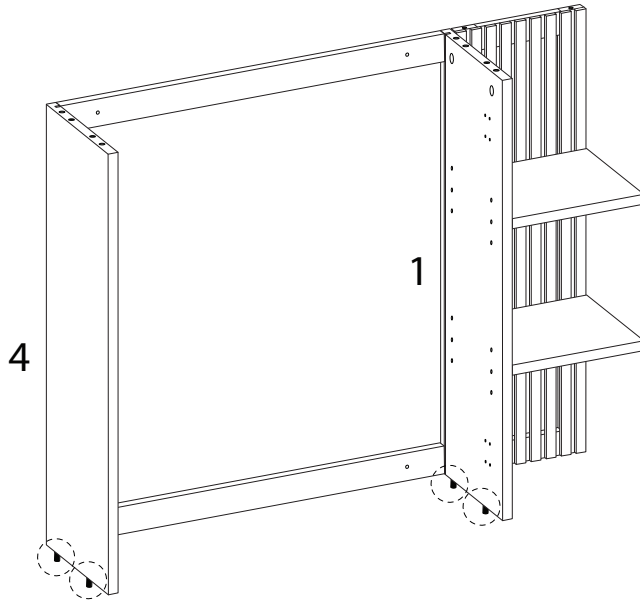
6





7

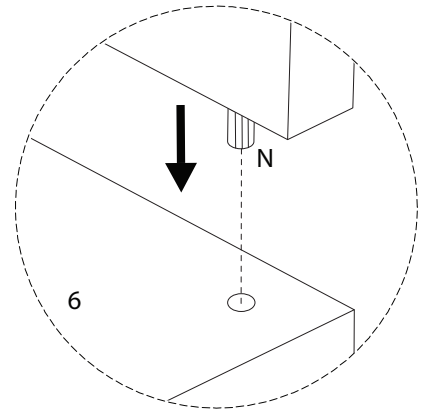
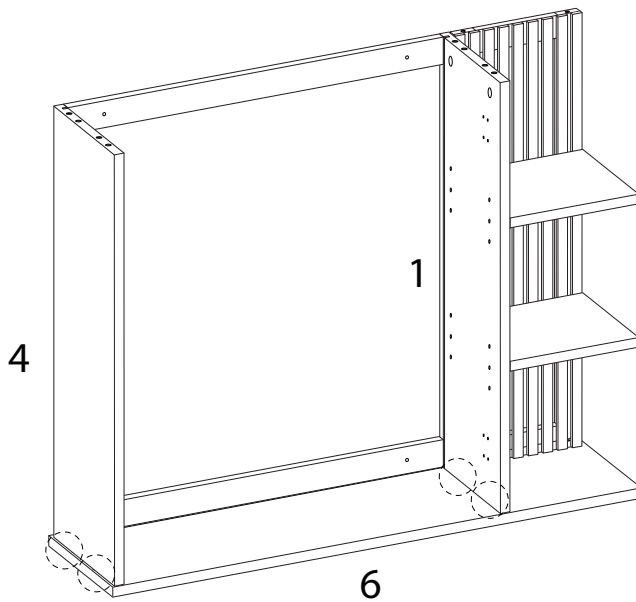
N  
M8  
x  
30  
x 4



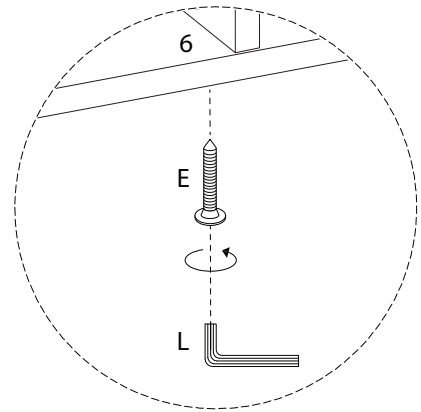
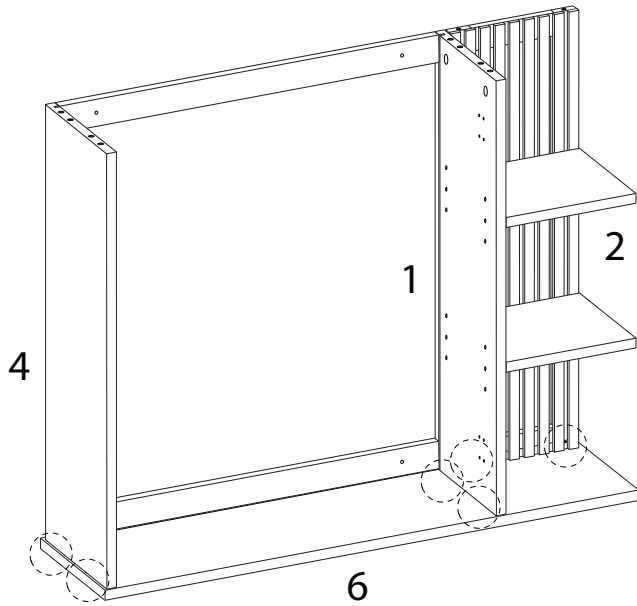
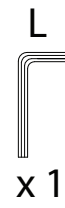
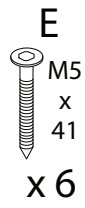
8

6

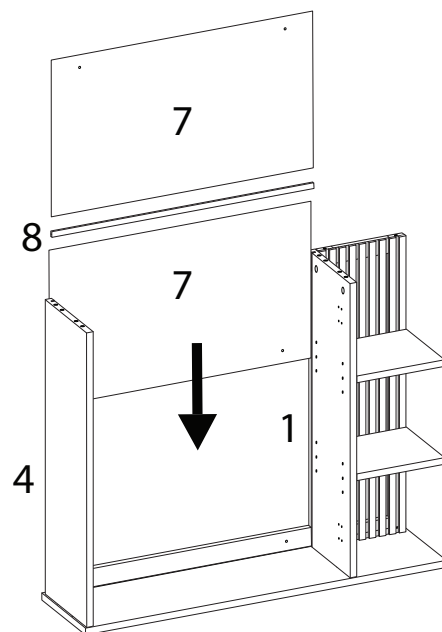
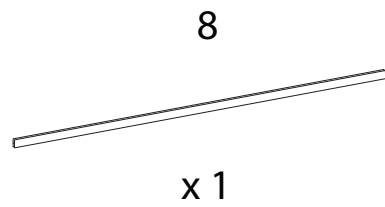
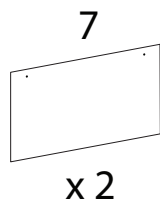
x 1



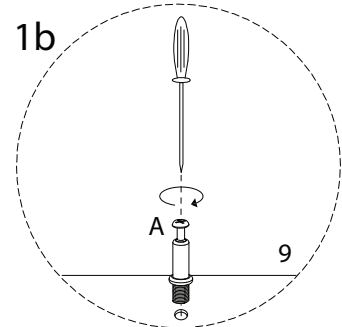
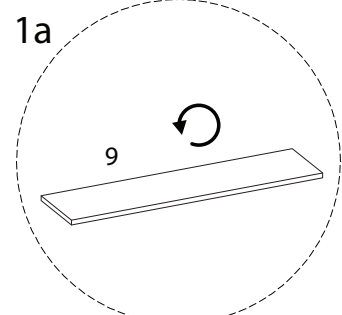
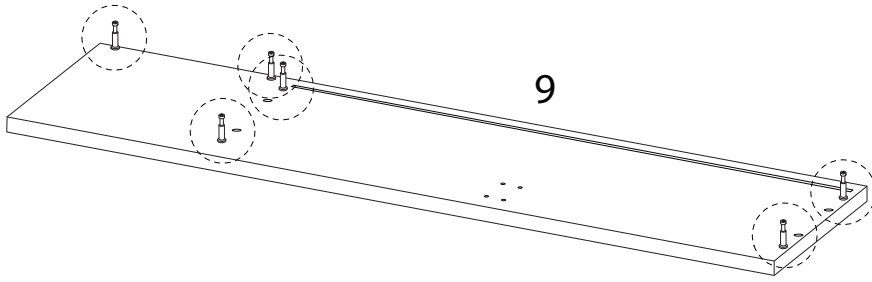
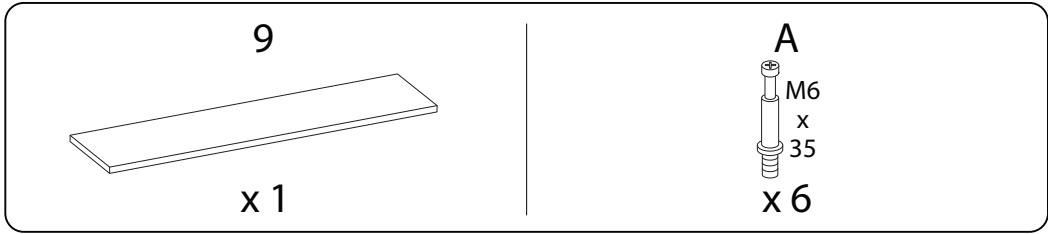
9



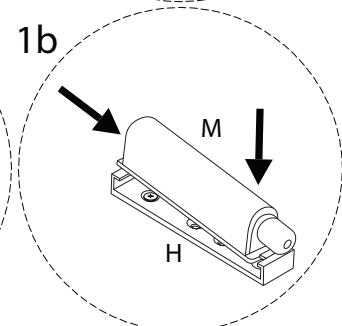
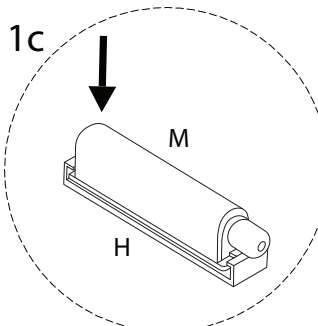
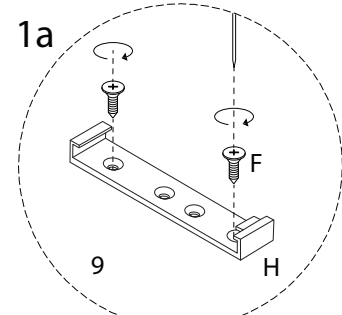
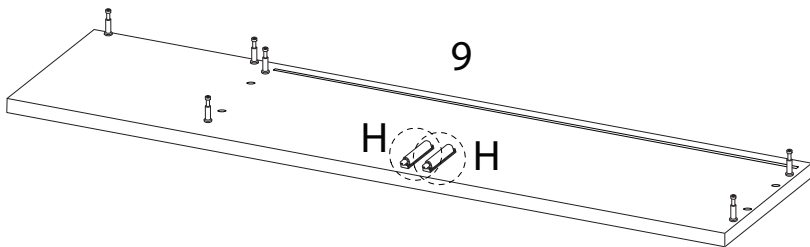
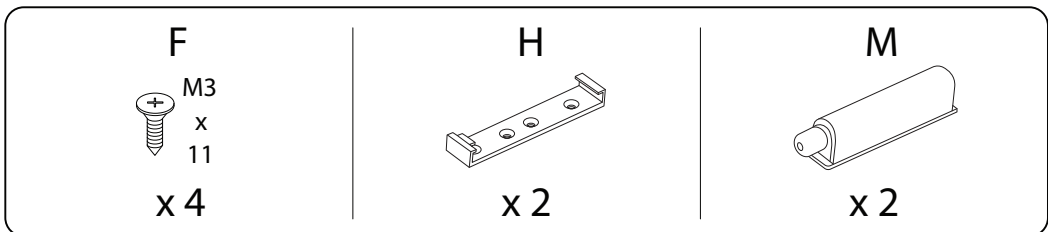
10



11

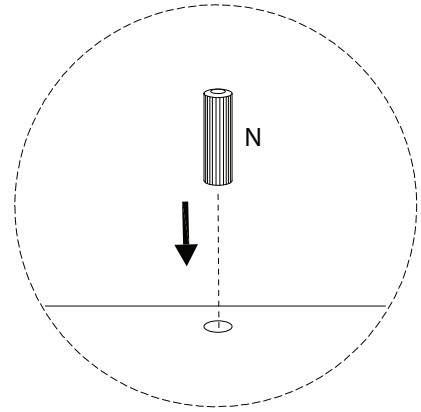
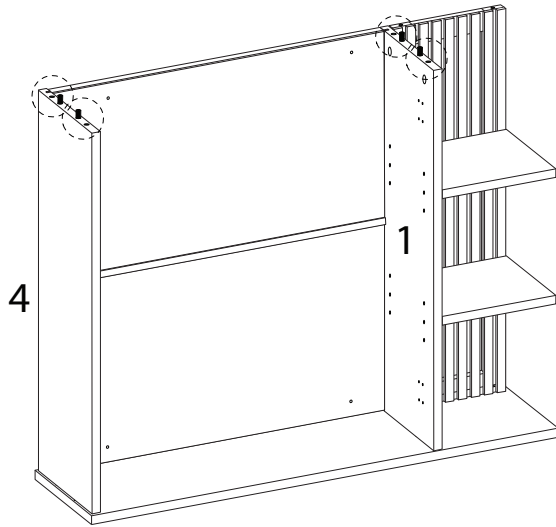


12

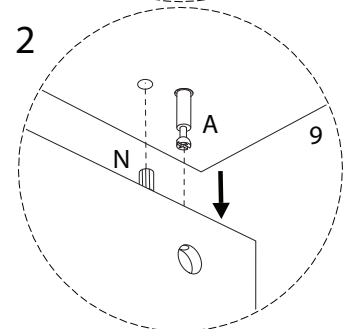
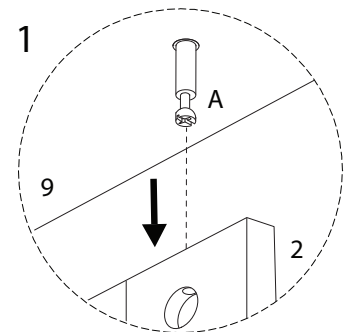
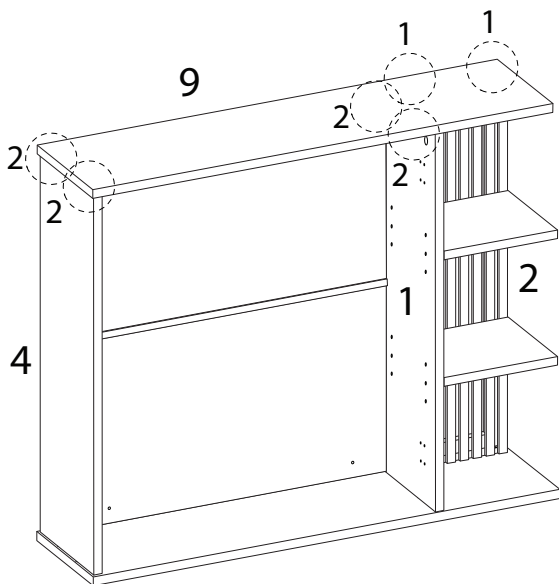


13

N  
M8  
x  
30  
x 4



14

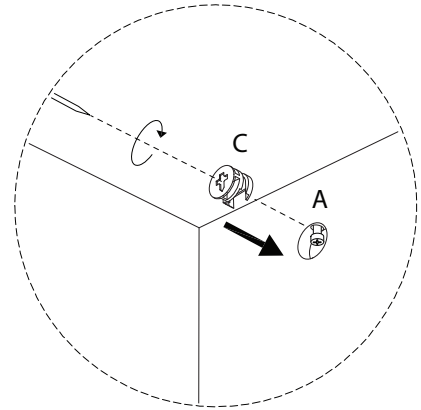
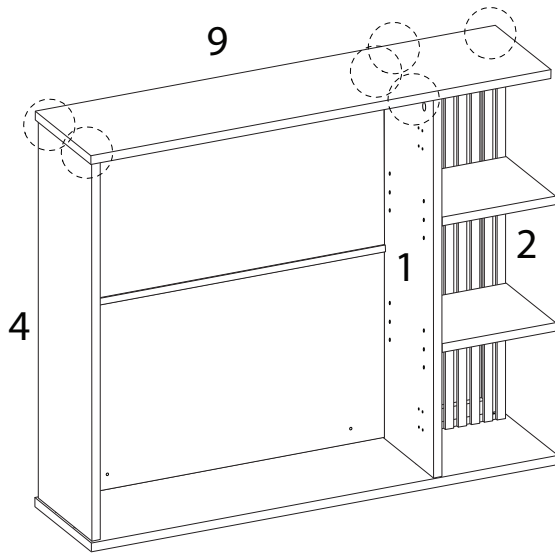


15

C

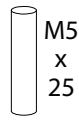


x 6

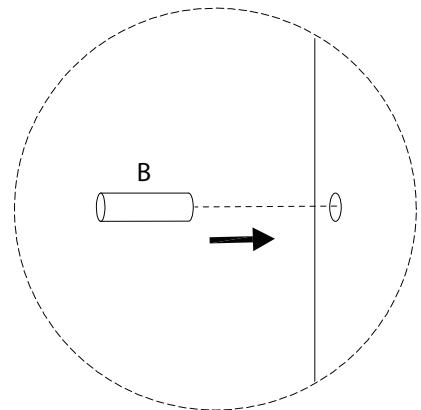
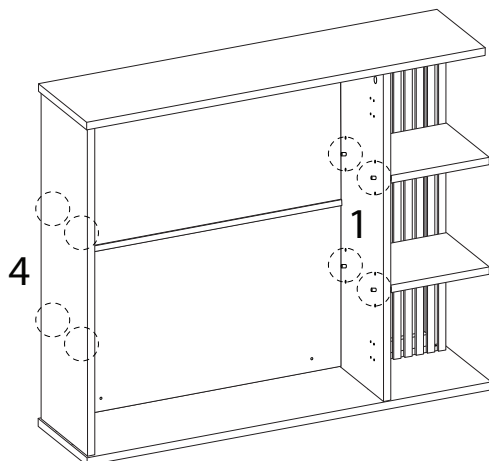


16

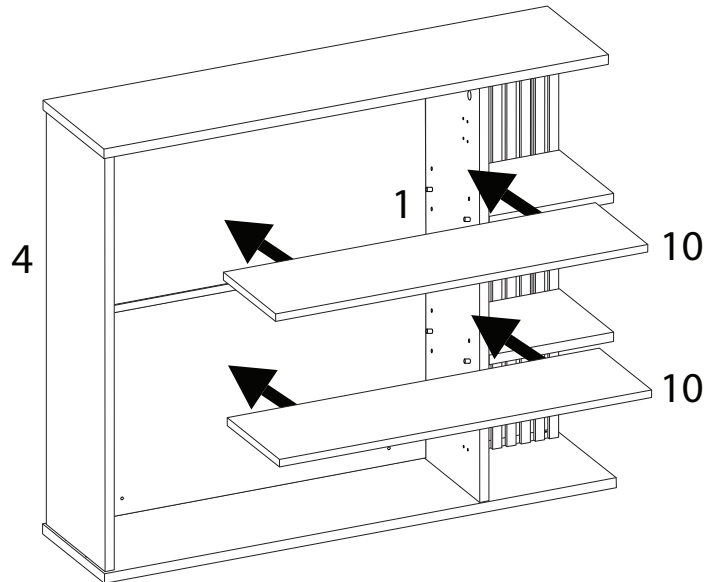
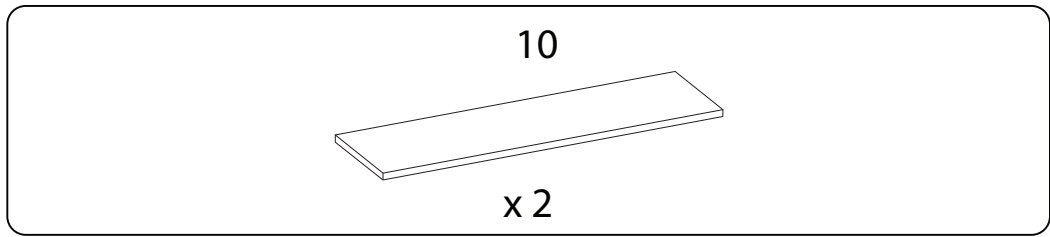
B



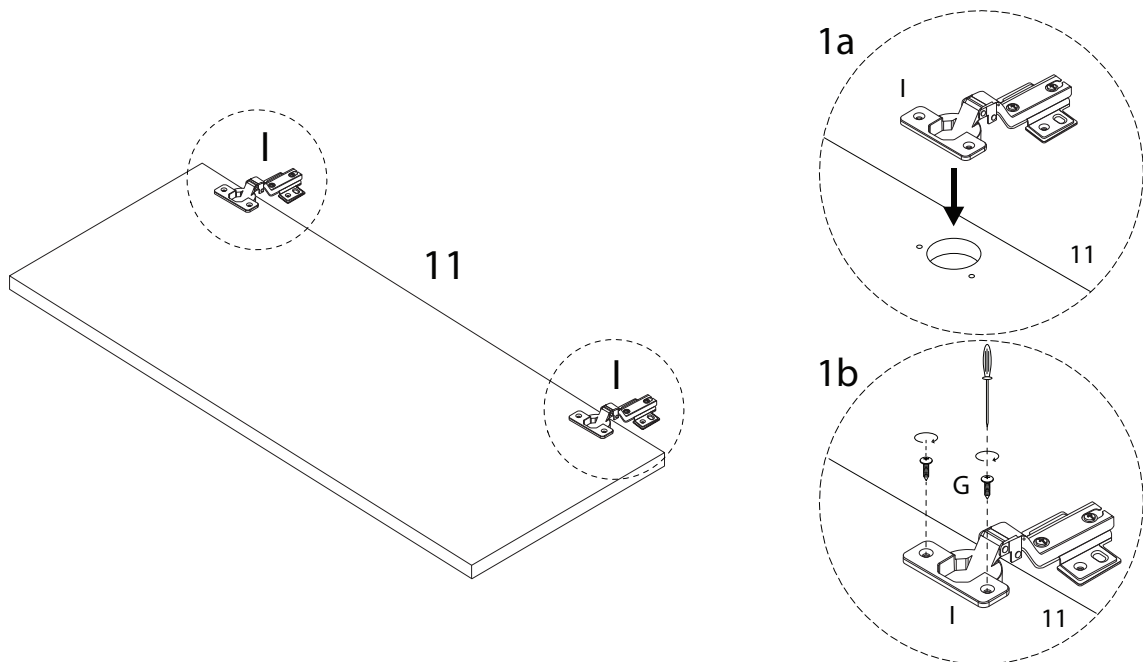
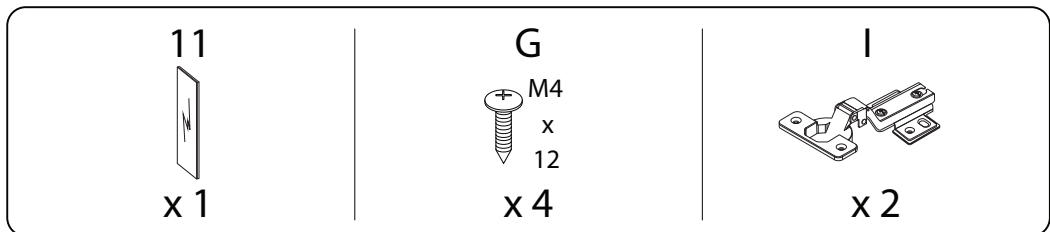
x 8



17



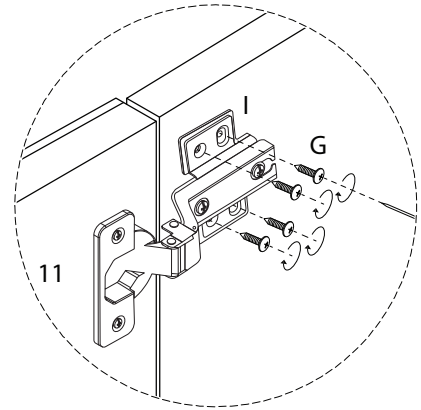
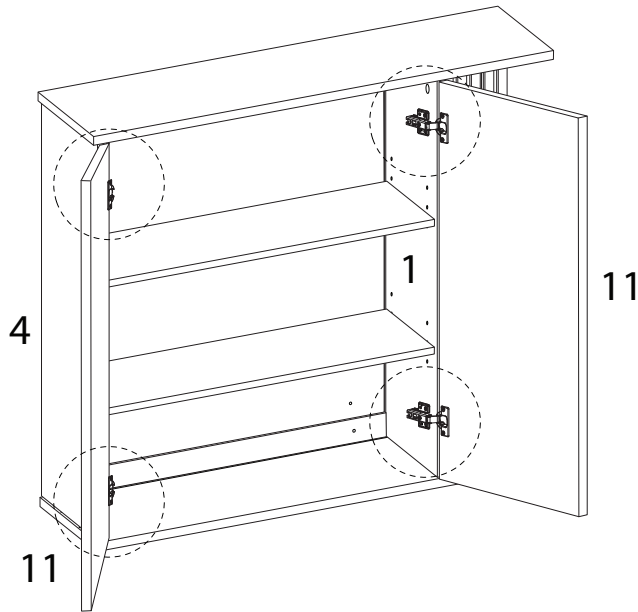
18 x 2



19

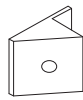
G

M4  
x  
12  
x 16



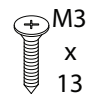
20

J

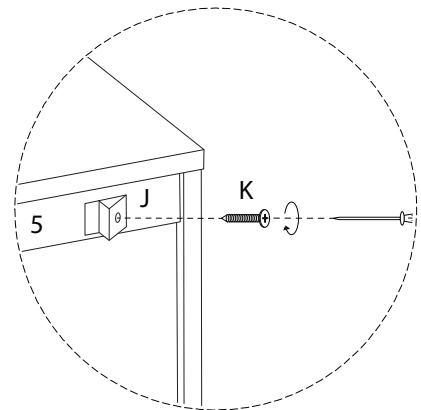
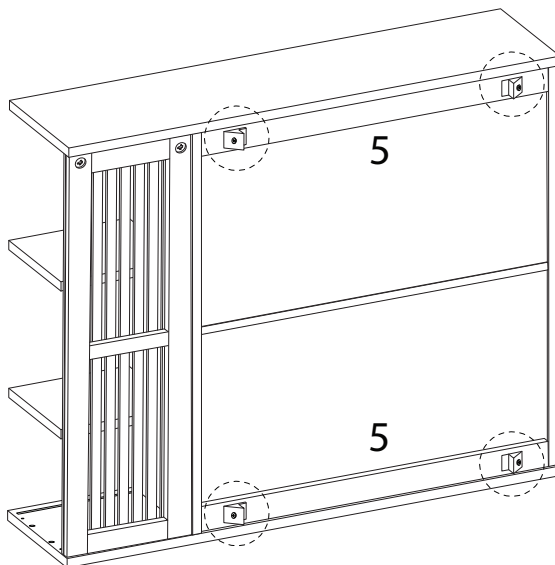


x 4

K



x 4



21

