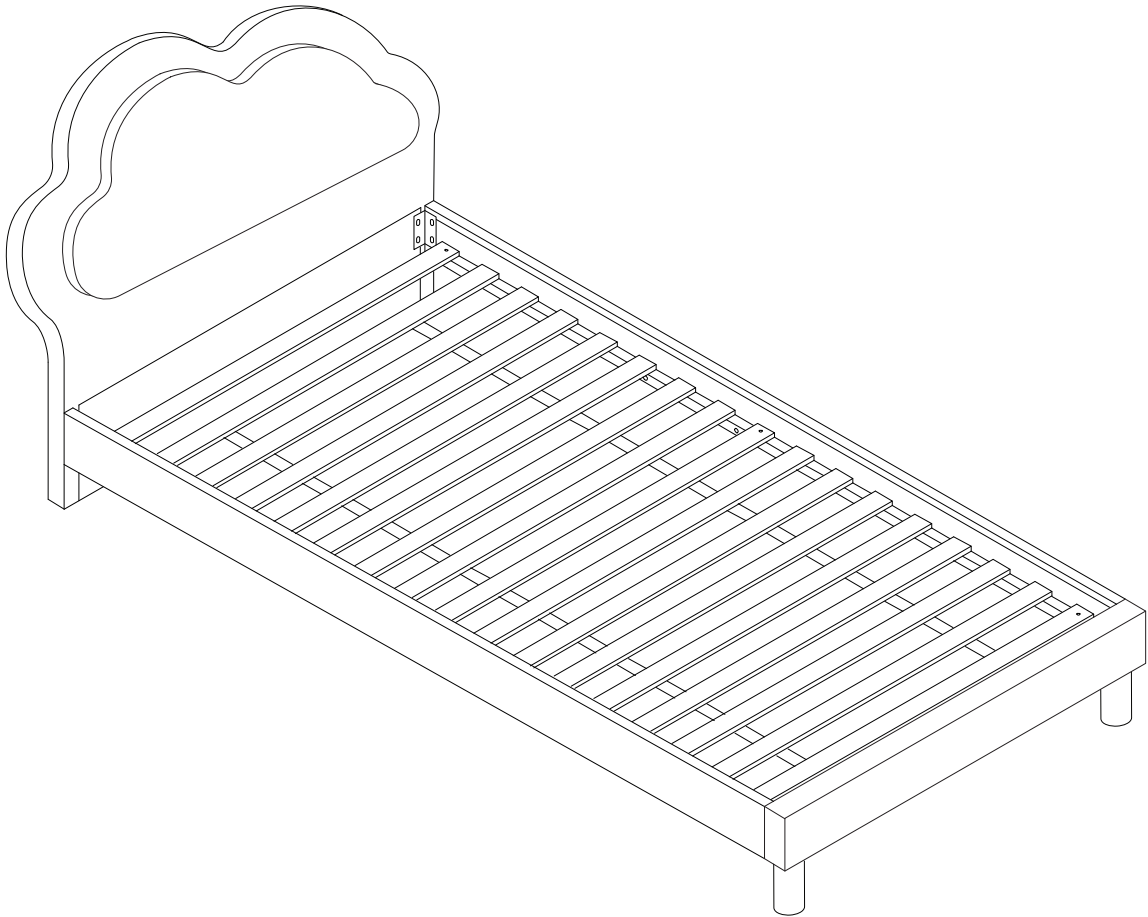


# MAZOU



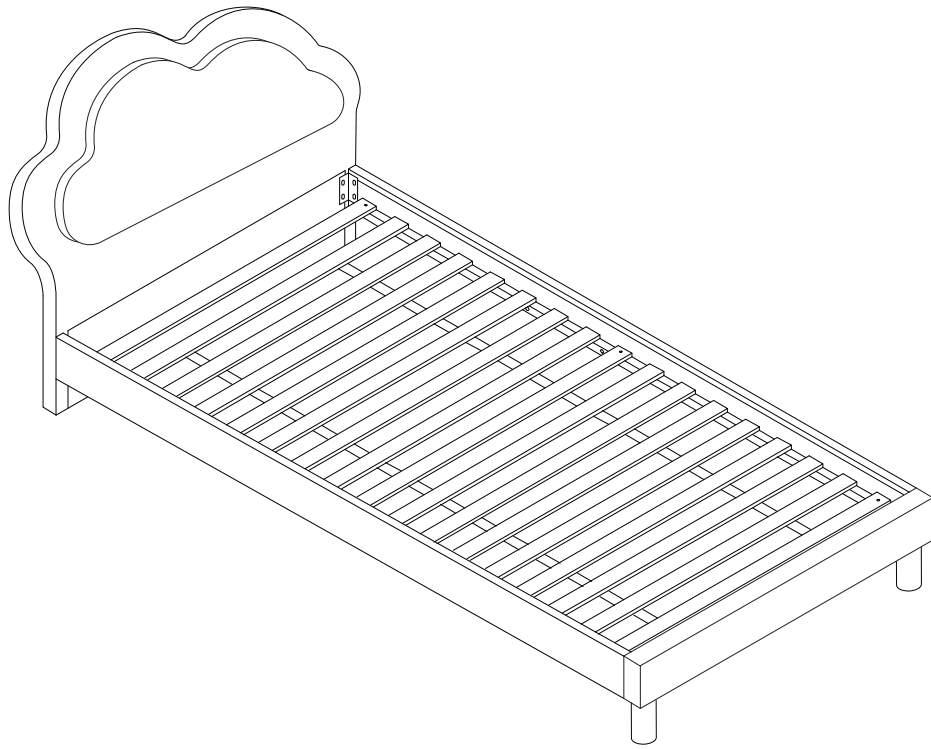
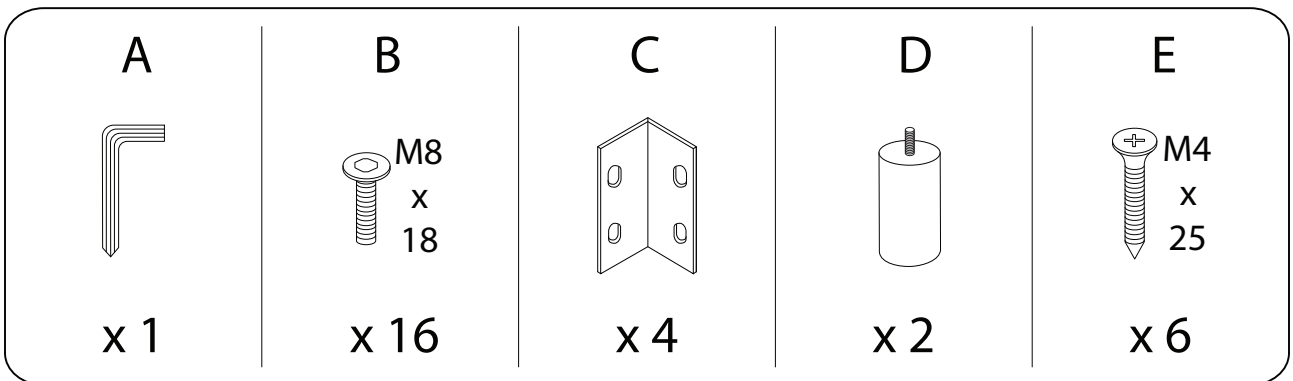
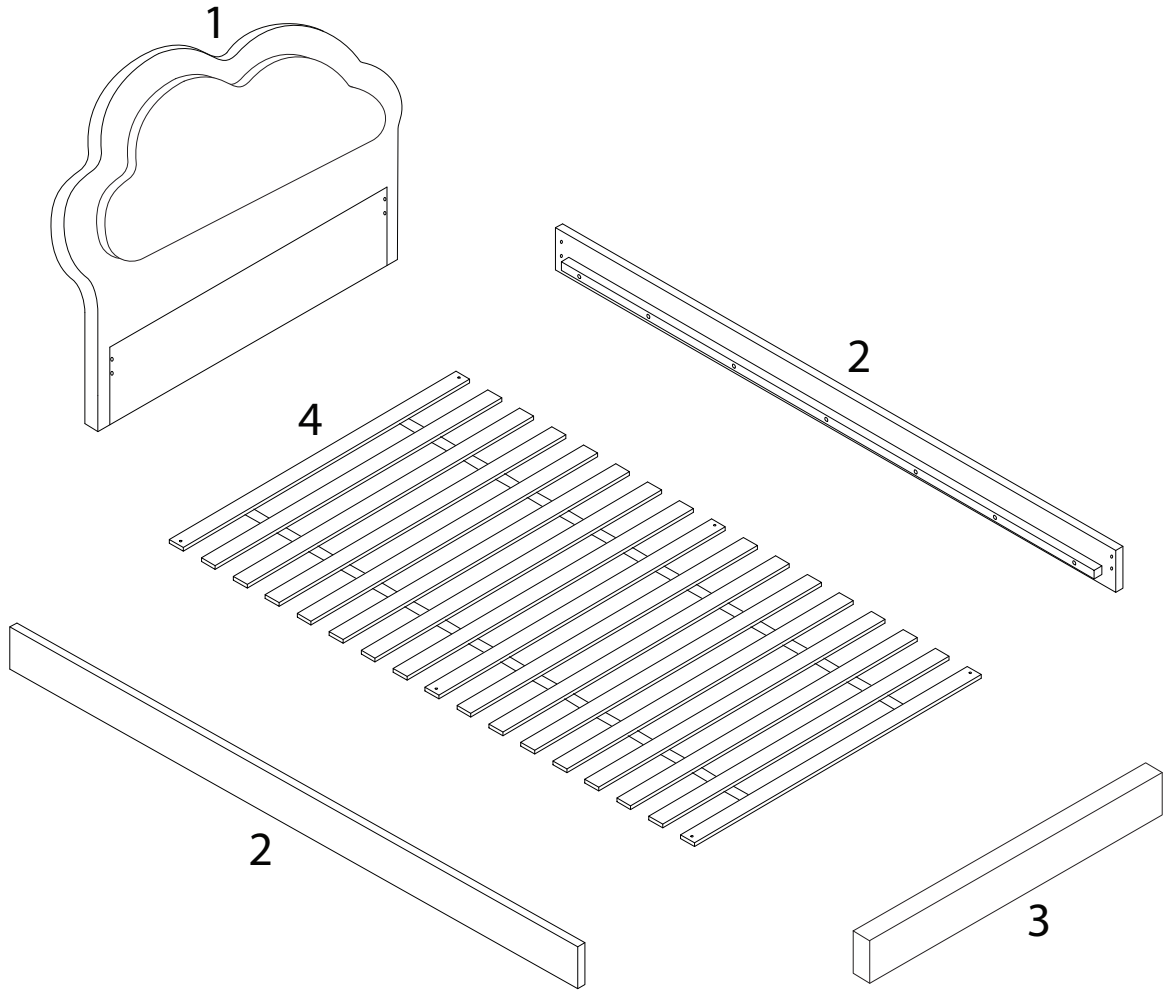
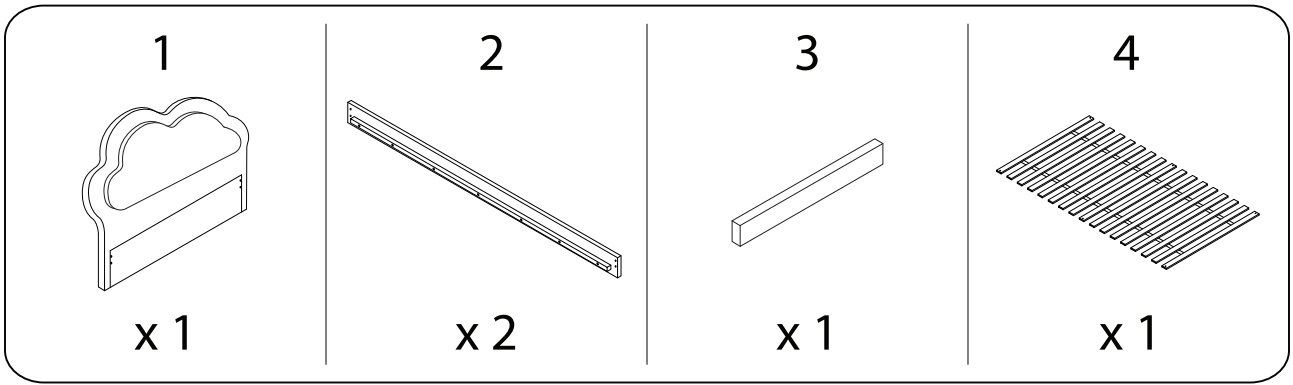
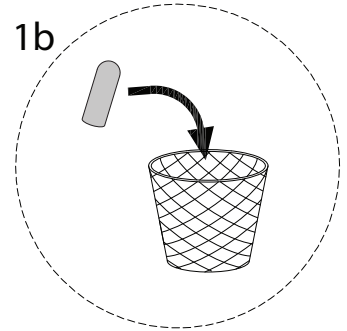
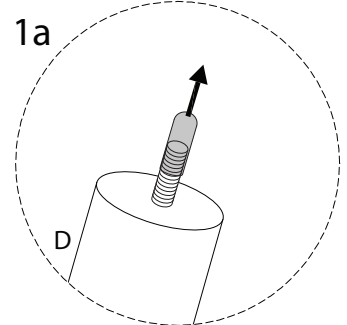
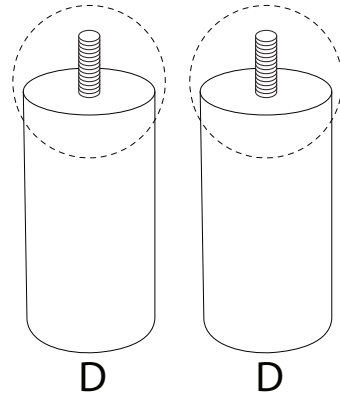


Diagram illustrating assembly instructions and safety warnings:

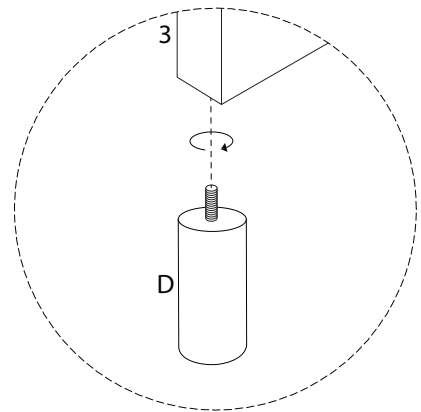
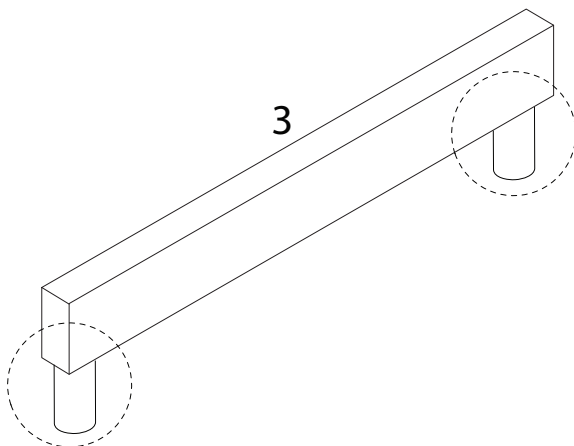
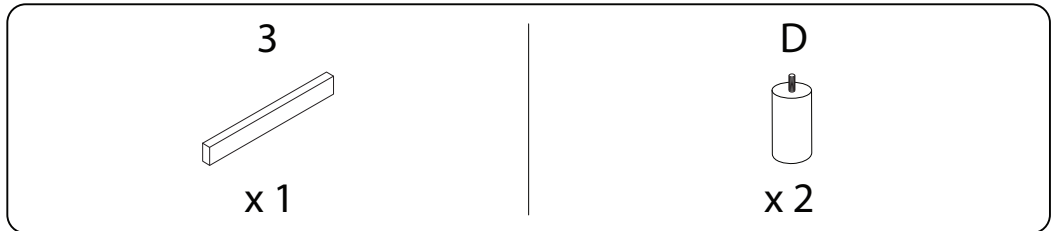
- Warning 1:** A triangle with an exclamation mark. To its left, a box contains an L-shaped metal bracket and a power drill with a slash through it, indicating that a power drill should not be used for this step.
- Warning 2:** A triangle with an exclamation mark. To its left, a box contains a rectangular block being placed on a surface and another block being lifted, indicating that the surface should be protected and the block should be lifted correctly.
- Time:** A clock icon with a circular arrow, labeled "20'", indicating a 20-minute assembly time.
- Personnel:** An icon of a person, labeled "2", indicating that two people are required for assembly.



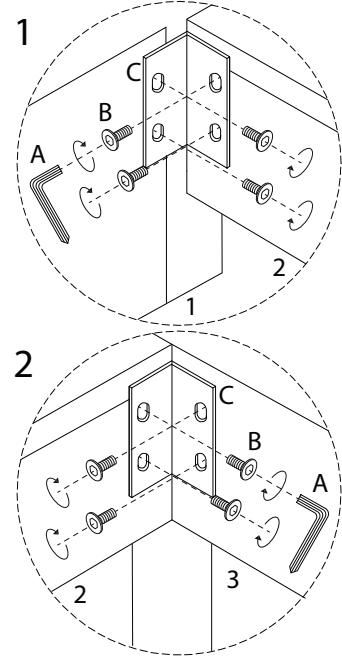
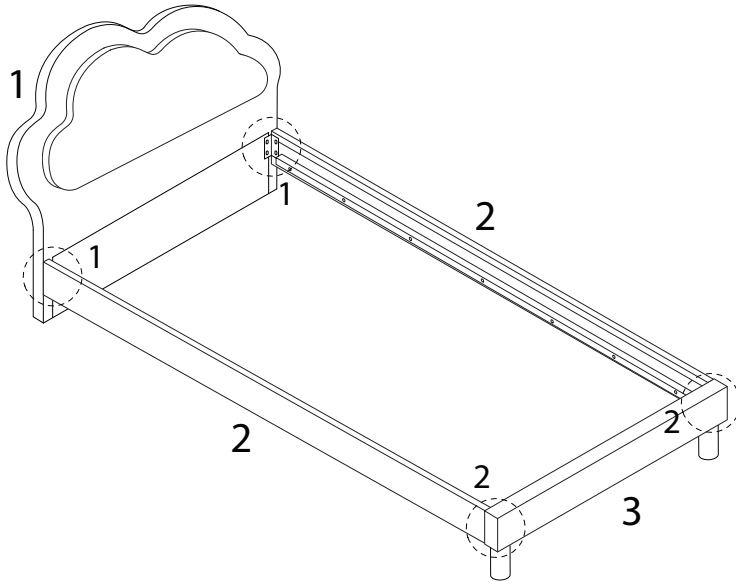
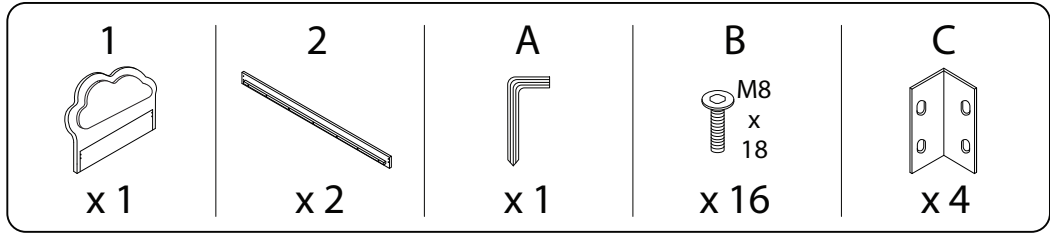
!



1



2



3

