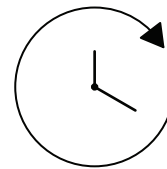
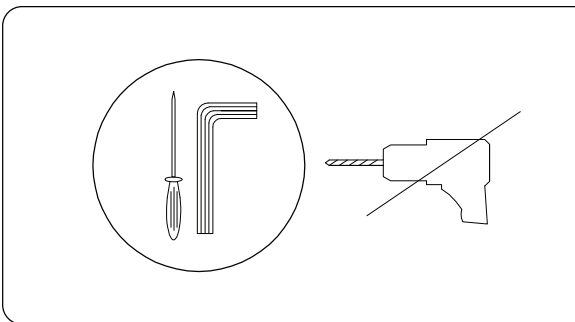
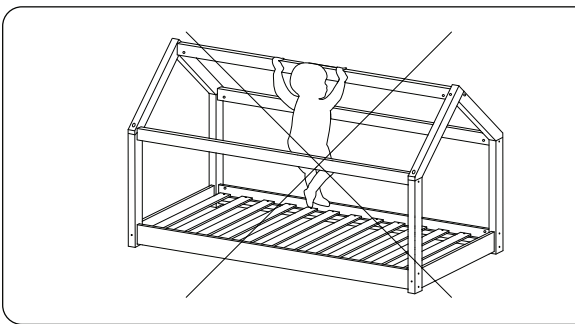
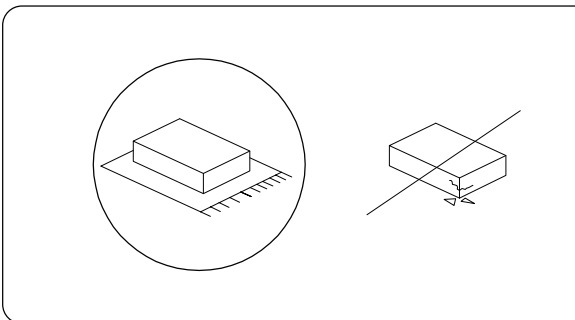


DEVAY

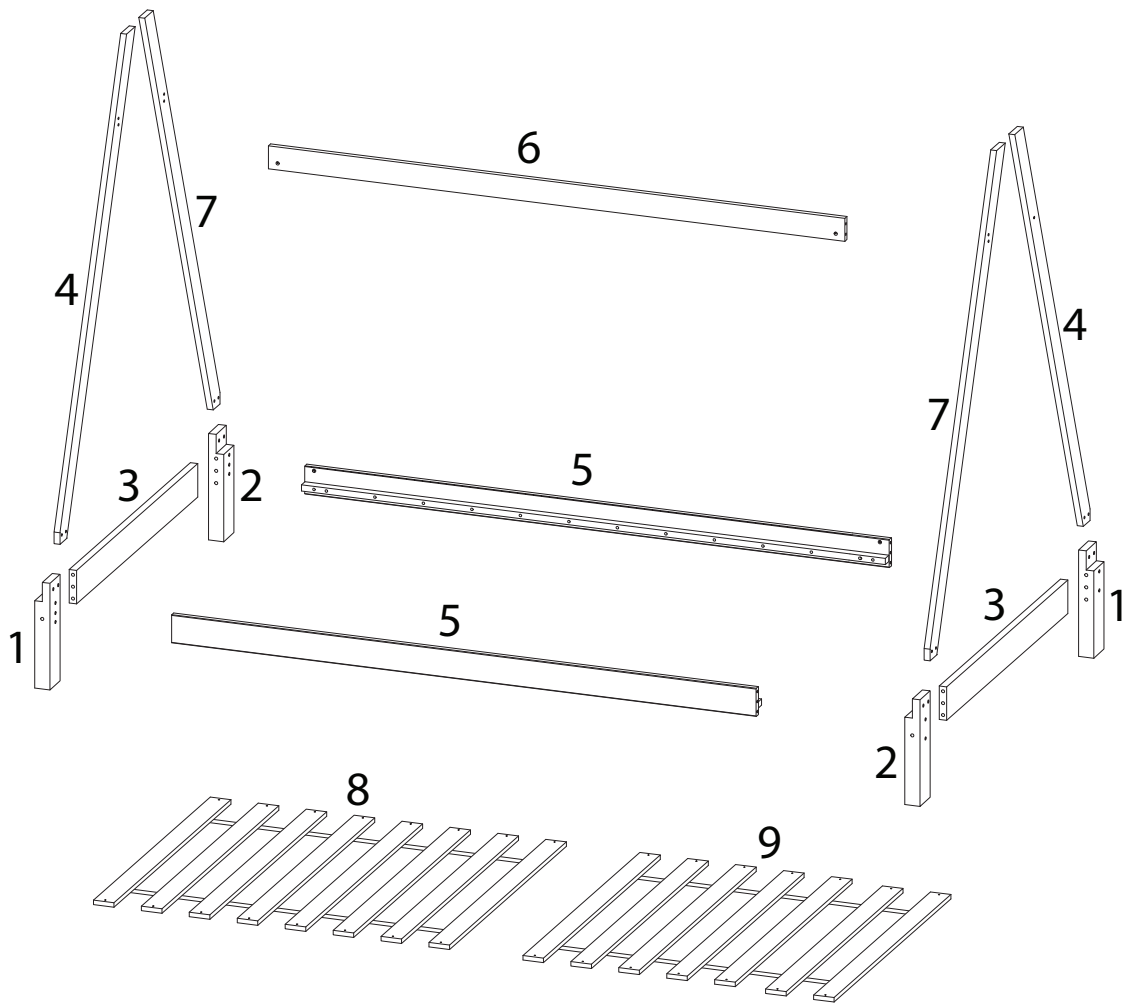




45'



2



1



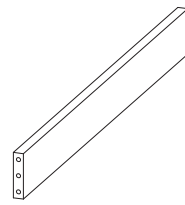
x 2

2



x 2

3



x 2

4



x 2

5



x 2

6



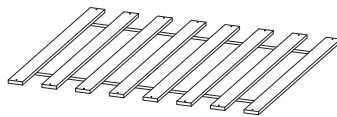
x 1

7



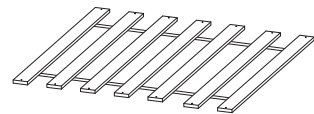
x 2

8



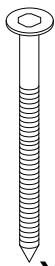
x 1

9



x 1

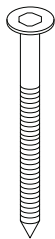
A



M6
x
120

x 4

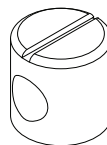
B



M6
x
80

x 10

C



x 14

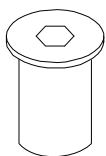
D



M6
x
25

x 8

E



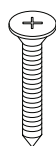
x 8

F



x 14

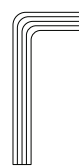
G



M4
x
30

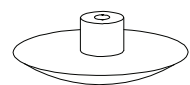
x 36

H



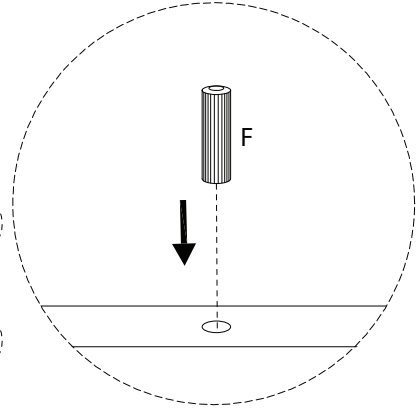
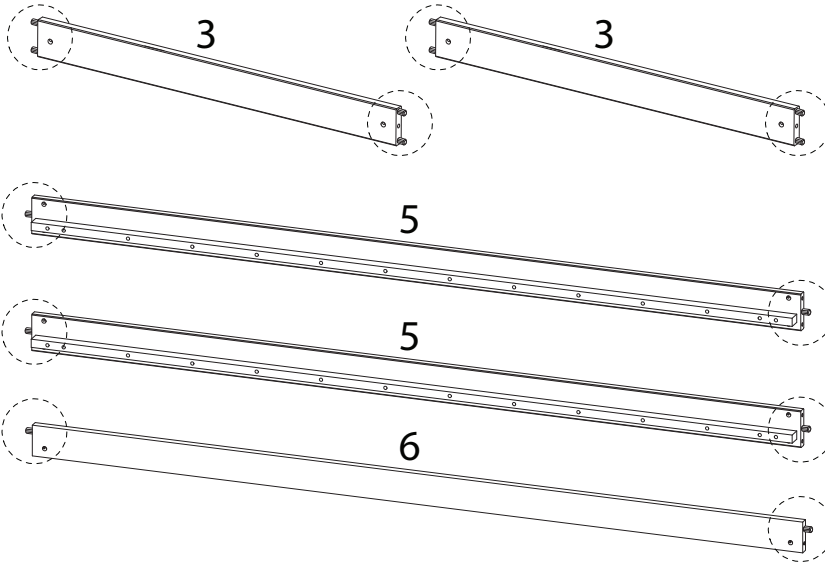
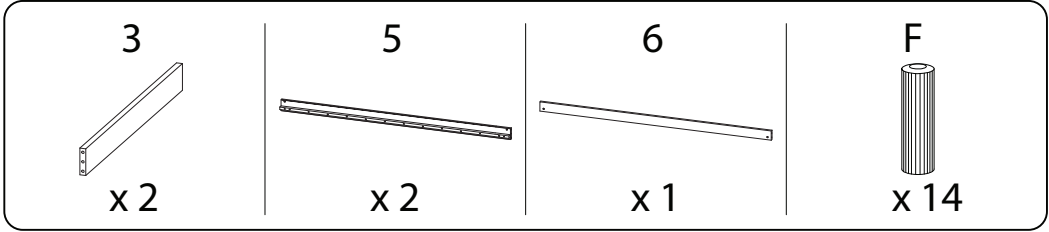
x 2

I

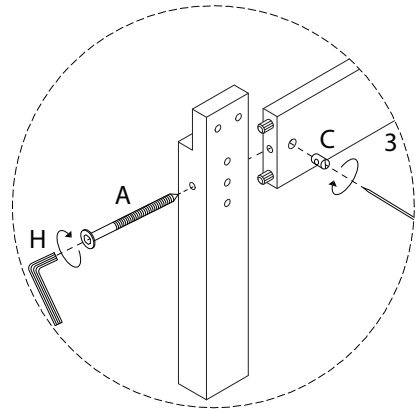
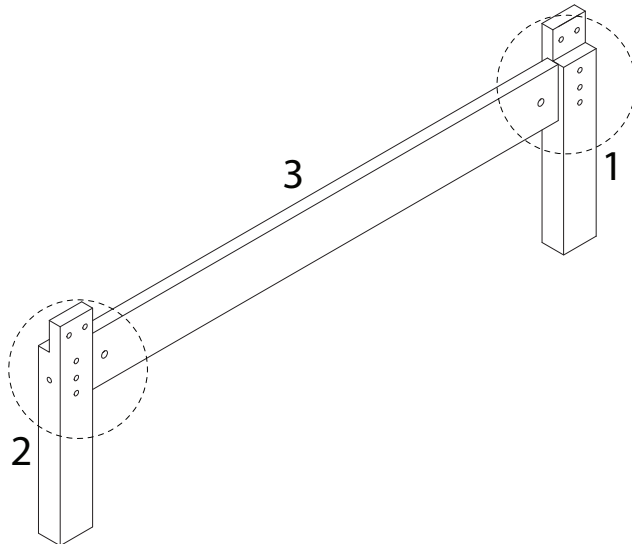
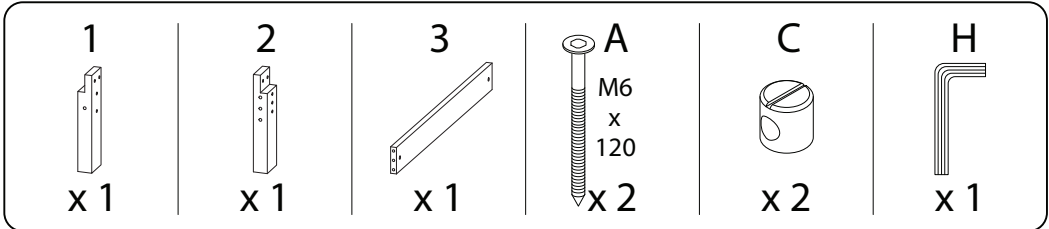


x 26



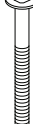



1

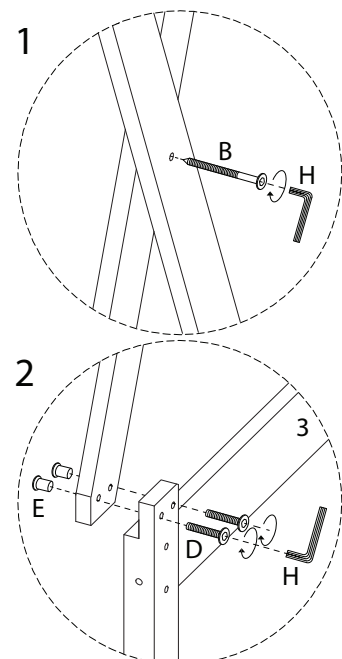
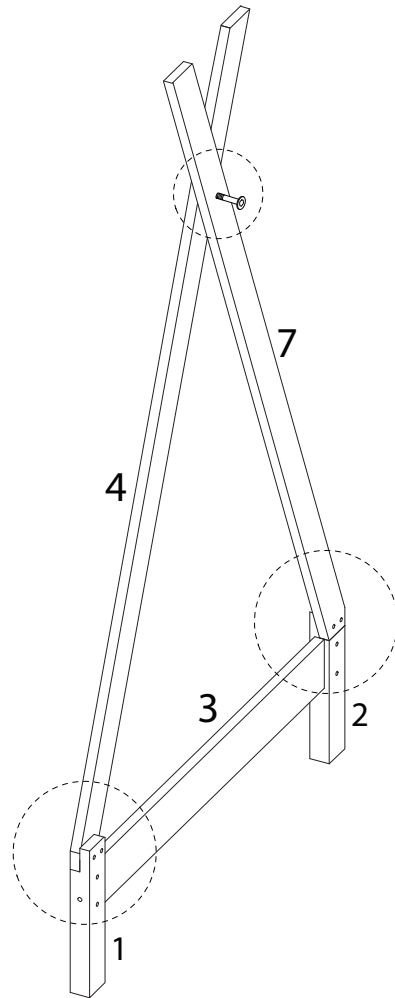


2 x 2

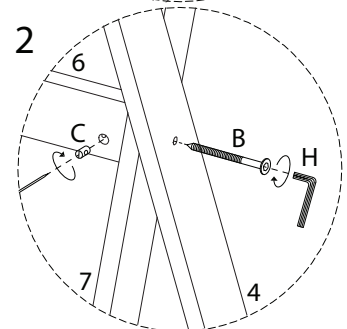
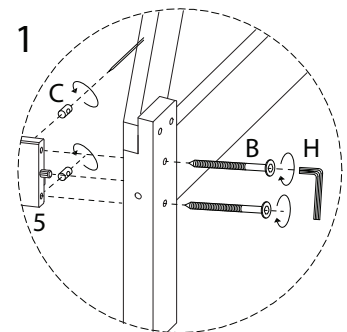
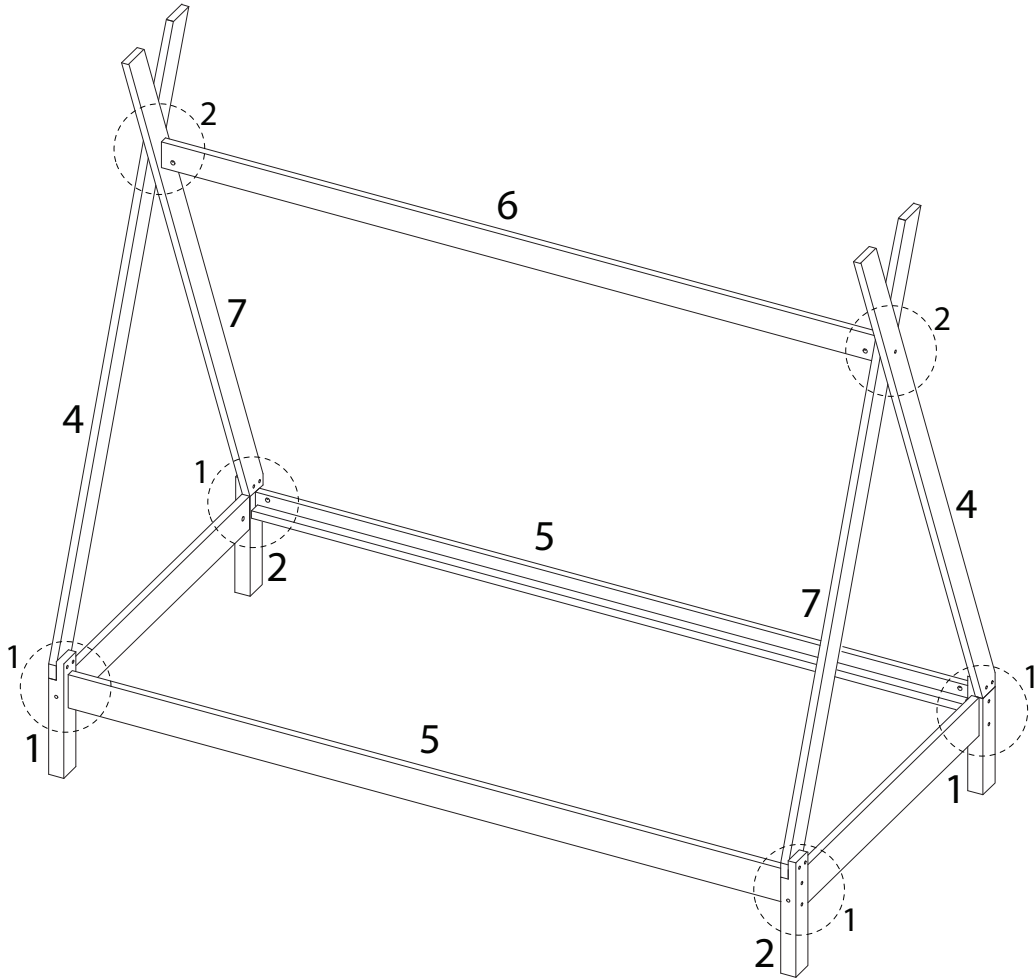
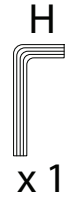
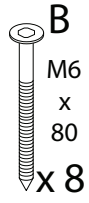


3 x 2

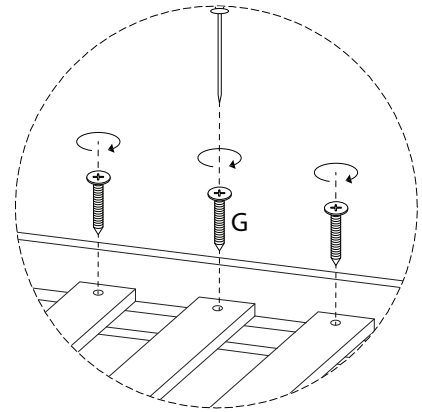
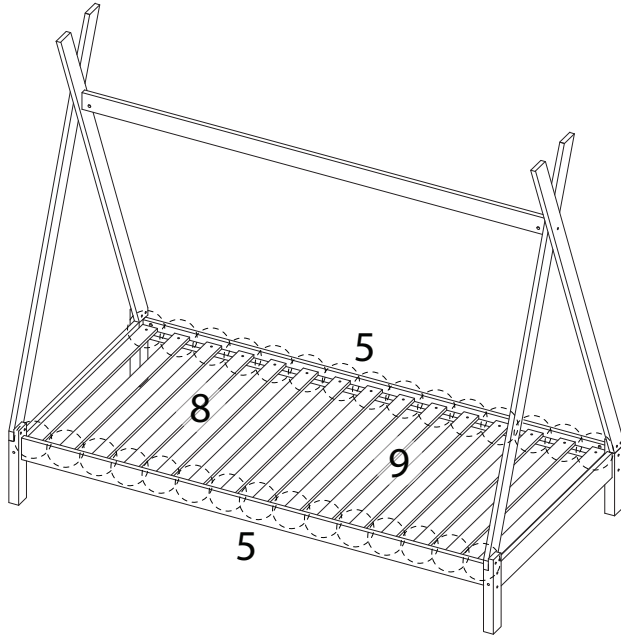
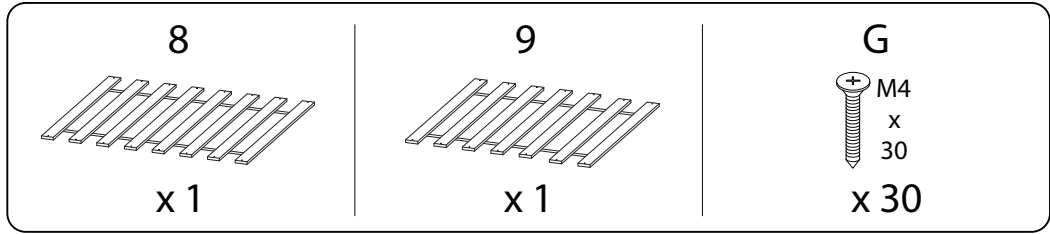
<p>4</p>  <p>x 1</p>	<p>7</p>  <p>x 1</p>	<p>B</p>  <p>M6 x 80</p> <p>x 1</p>	<p>D</p>  <p>M6 x 25</p> <p>x 4</p>	<p>E</p>  <p>x 4</p>	<p>H</p>  <p>x 1</p>
---	---	--	--	---	---



4



5



6

