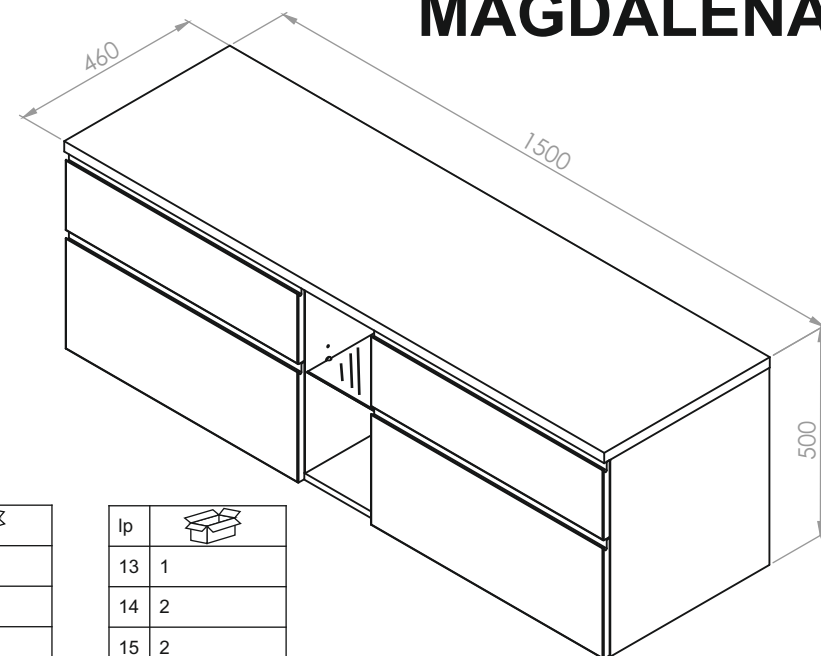
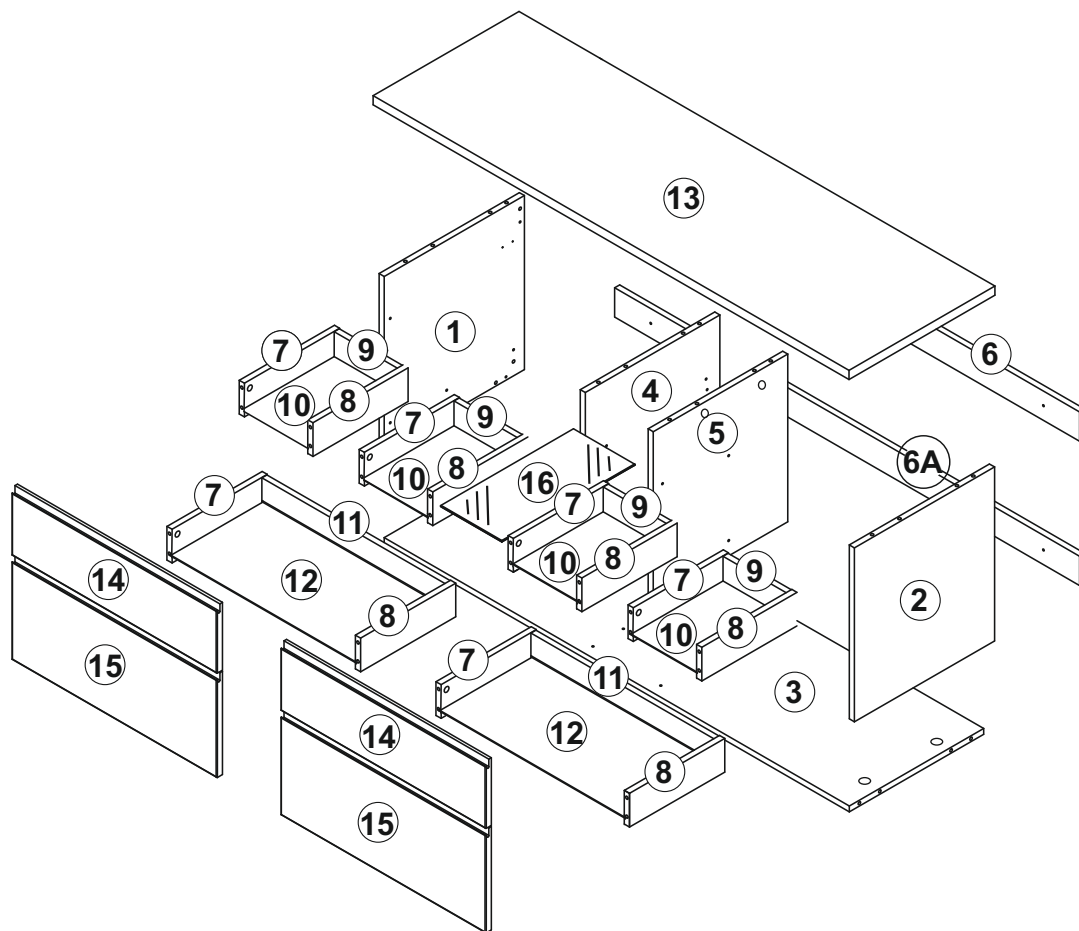


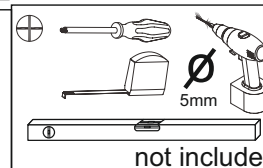
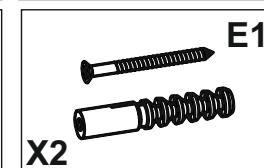
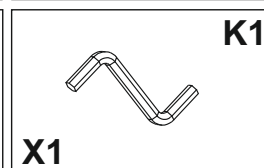
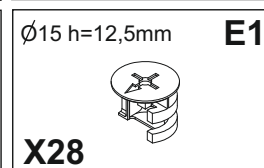
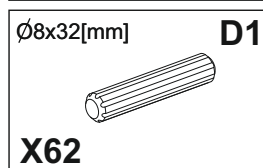
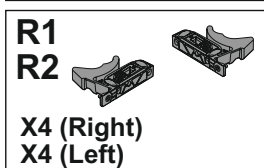
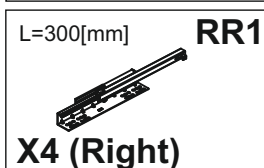
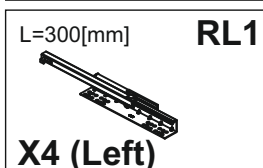
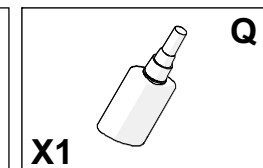
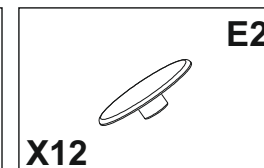
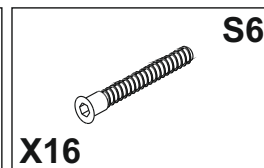
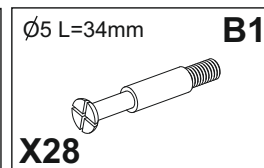
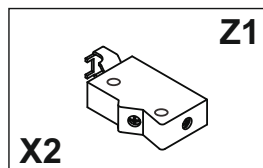
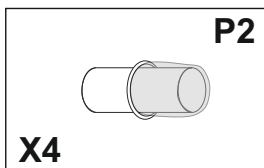
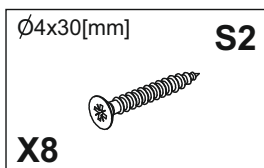
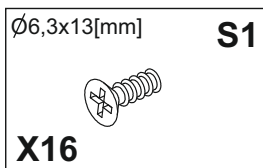
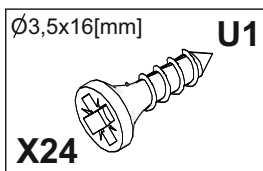


OE MAGDALENA





lp	
1	1
2	1
3	1
4	1
5	1
6, 6a	1
7	2
8	2
9	1
10	2
11	1
12	1

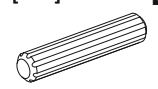
lp	
13	1
14	2
15	2
16	1

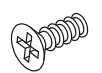


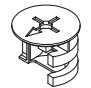
1

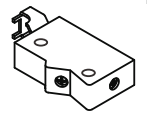
L=300[mm] **RL1**

X2 (Left)

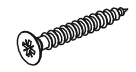
L=300[mm] **RR1**

X2 (Right)

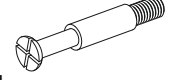
$\varnothing 8 \times 32$ [mm] **D1**

X4

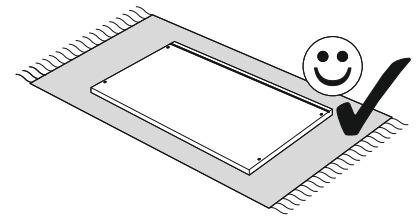
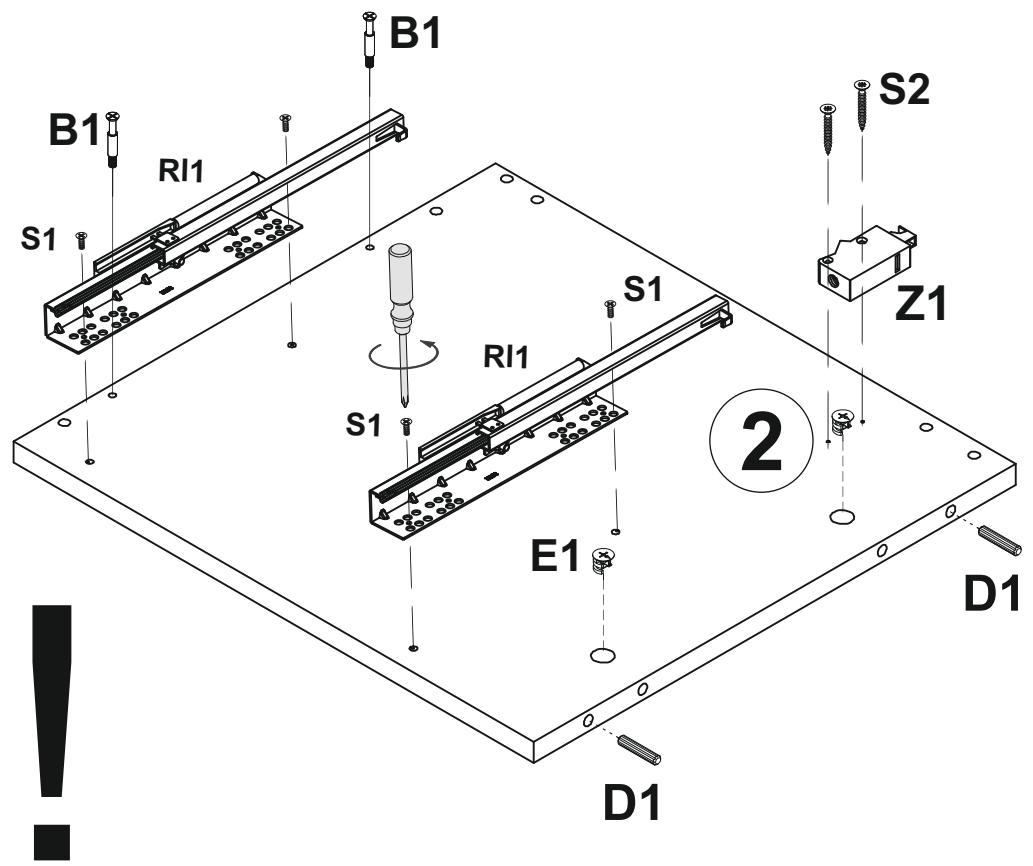
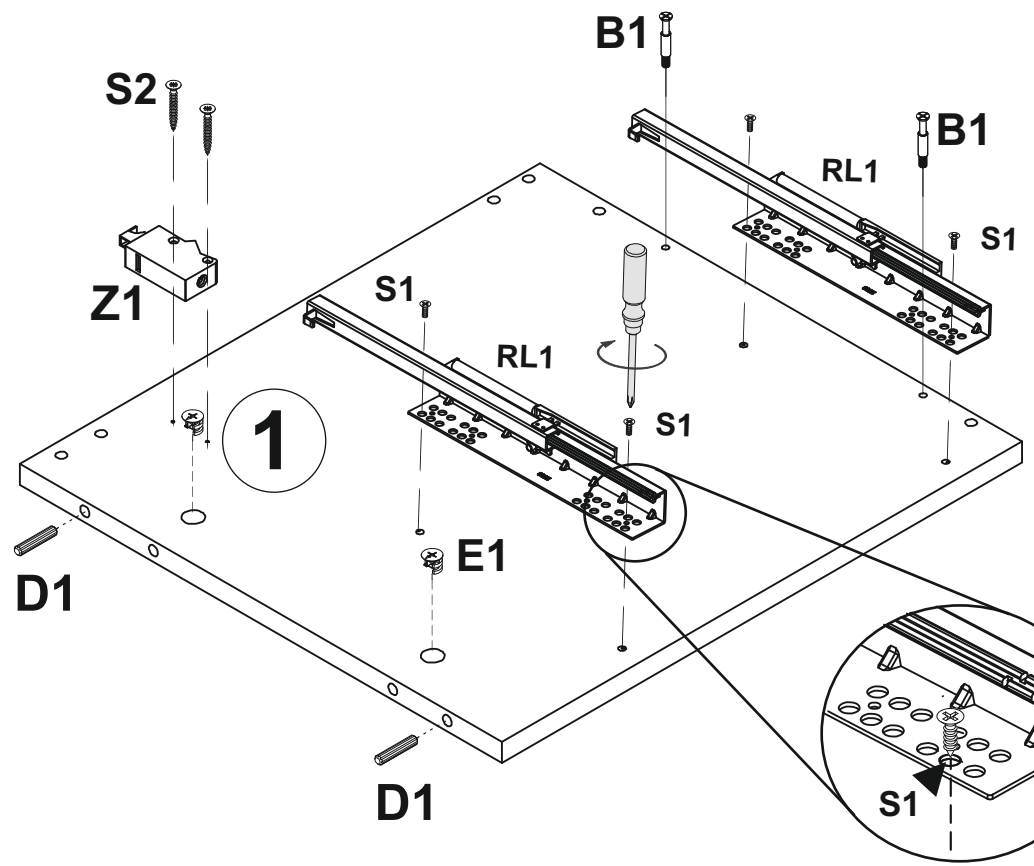
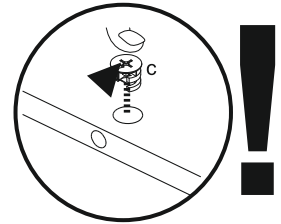
$\varnothing 6,3 \times 13$ [mm] **S1**

X8

$\varnothing 15$ h=12,5mm **E1**

X4

Z1

X2


$\varnothing 4 \times 30$ [mm] **S2**

X4

$\varnothing 5$ L=34mm **B1**

X4




2

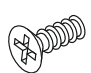
Ø15 h=12,5mm **E1**
X8




Ø8x32[mm] **D1**
X8




Ø6,3x13[mm] **S1**
X8



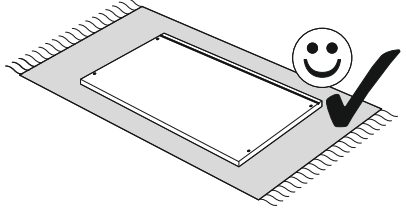
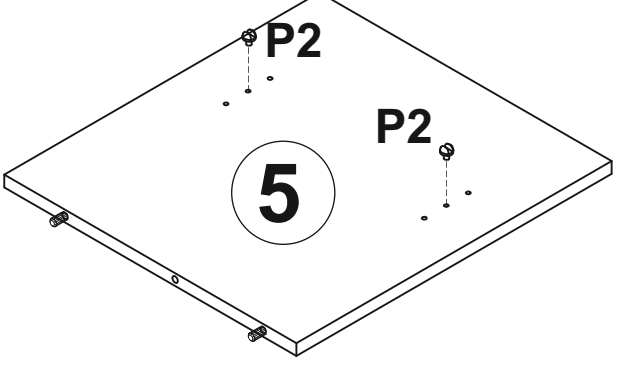
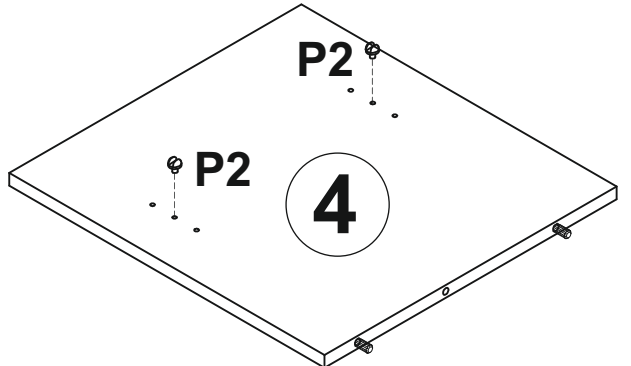
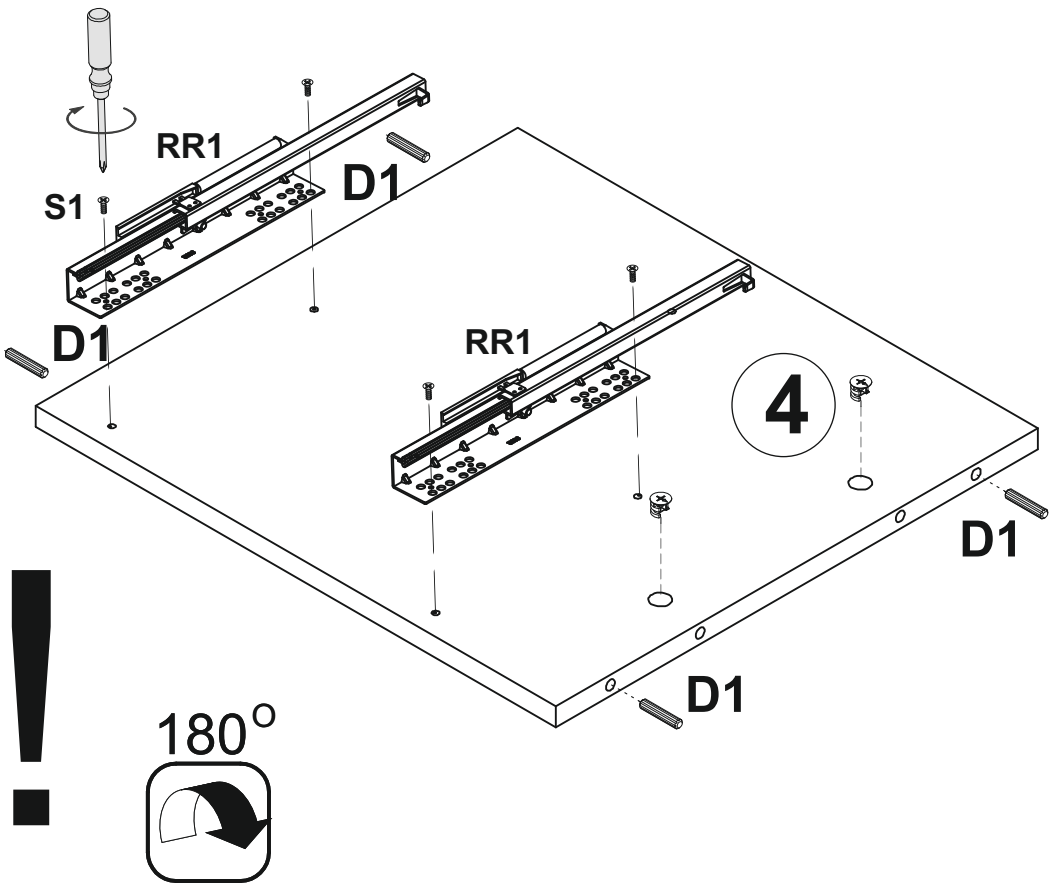
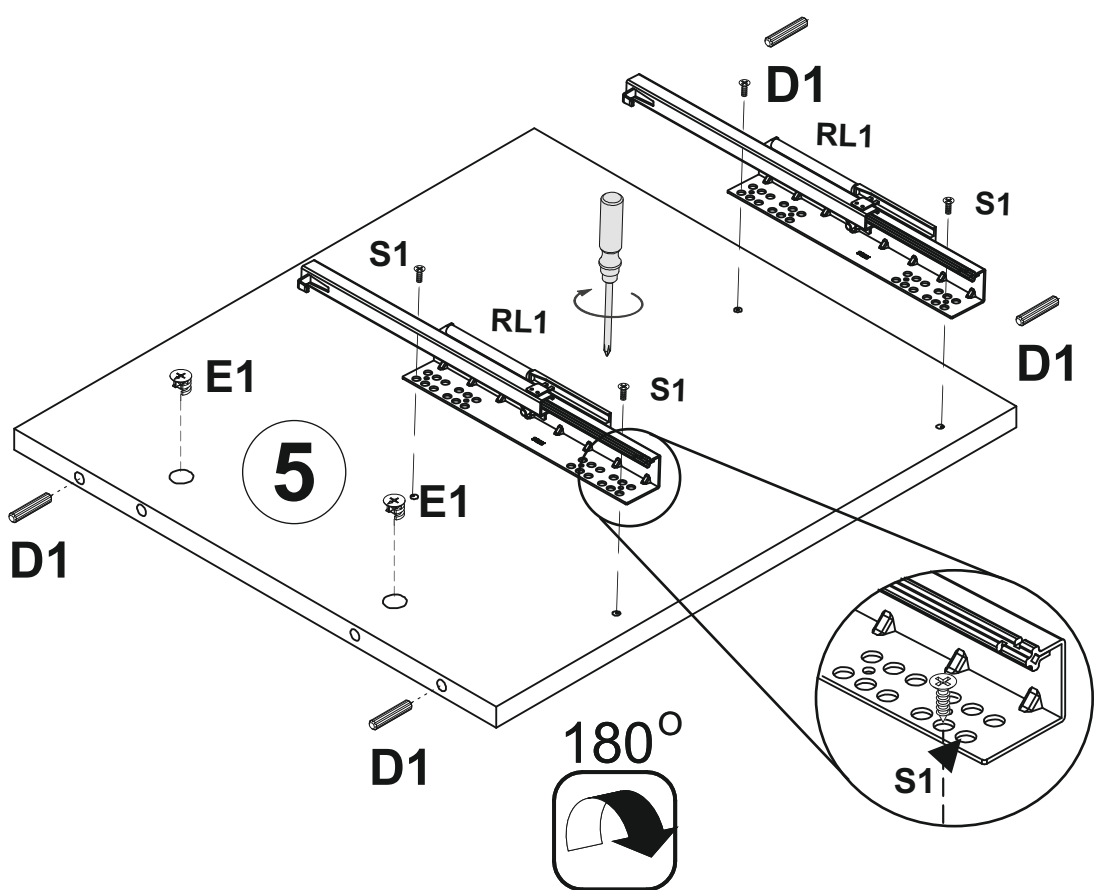
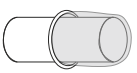
L=300[mm] **RL1**
X2 (Left)



L=300[mm] **RR1**
X2 (Right)



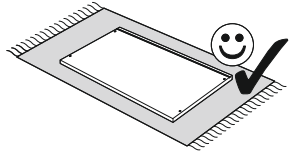
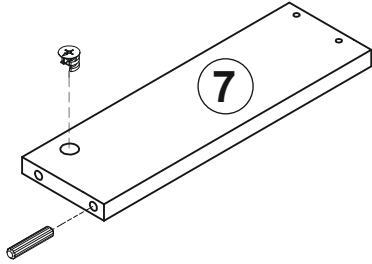
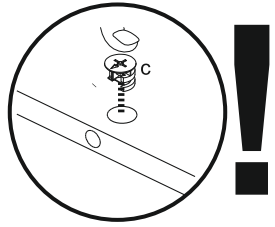
P2
X4



3

Ø15 h=12,5mm E1
X6

Ø8x32[mm] D1
X12

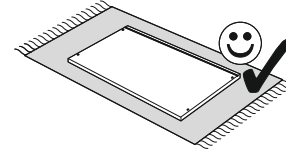
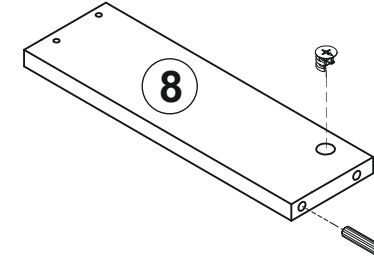
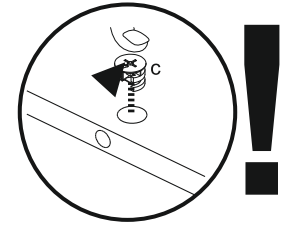


x6

4

Ø15 h=12,5mm E1
X6

Ø8x32[mm] D1
X12

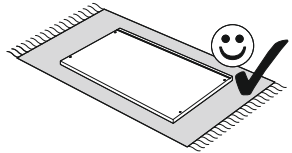
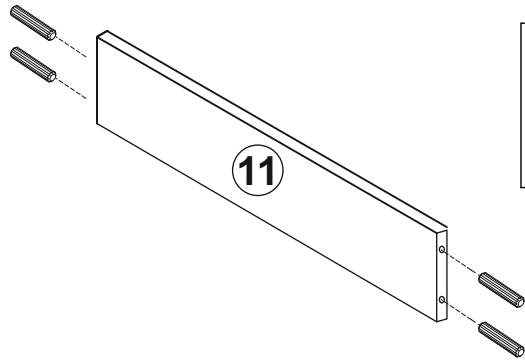


x6

5

Ø8x32[mm] D1
X8

Q
X1

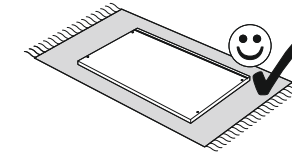
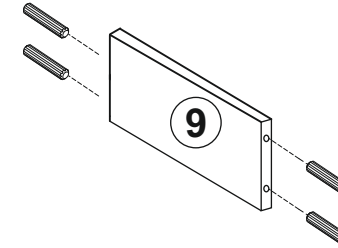


x2

6

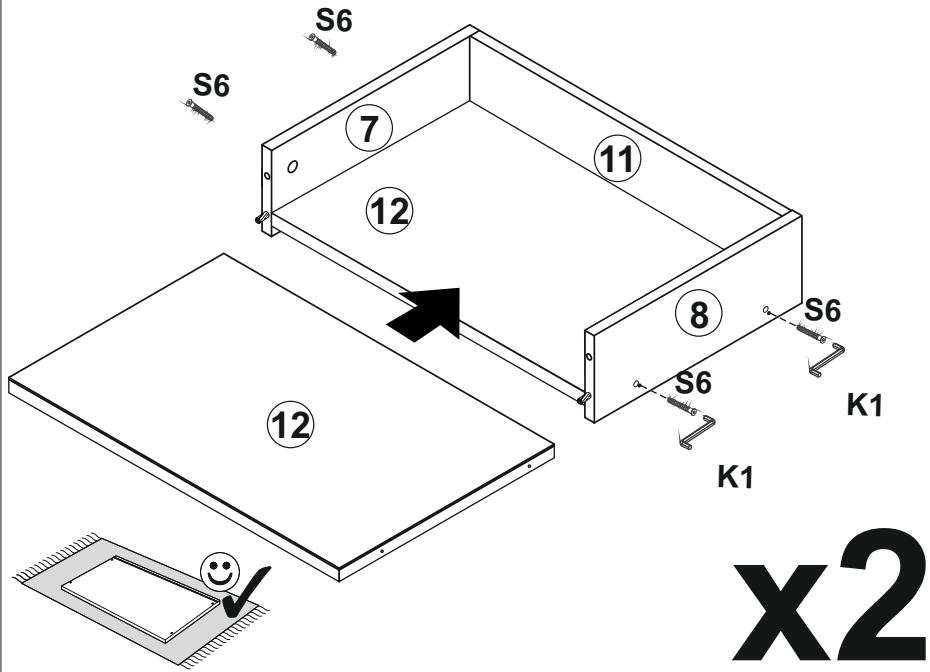
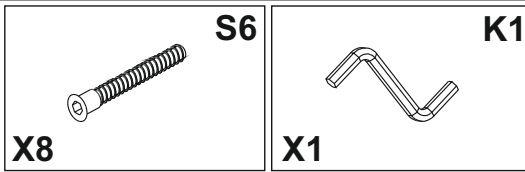
Ø8x32[mm] D1
X16

Q
X1

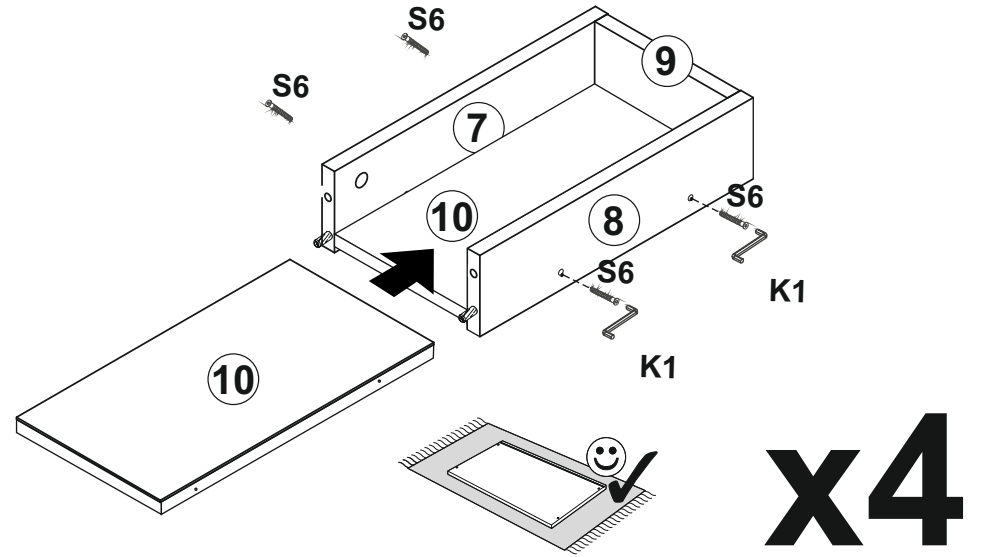
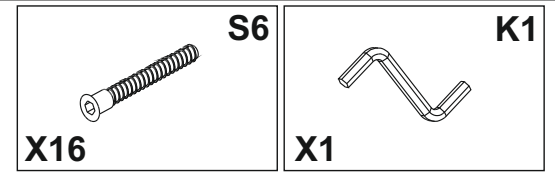


x4

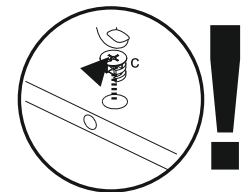
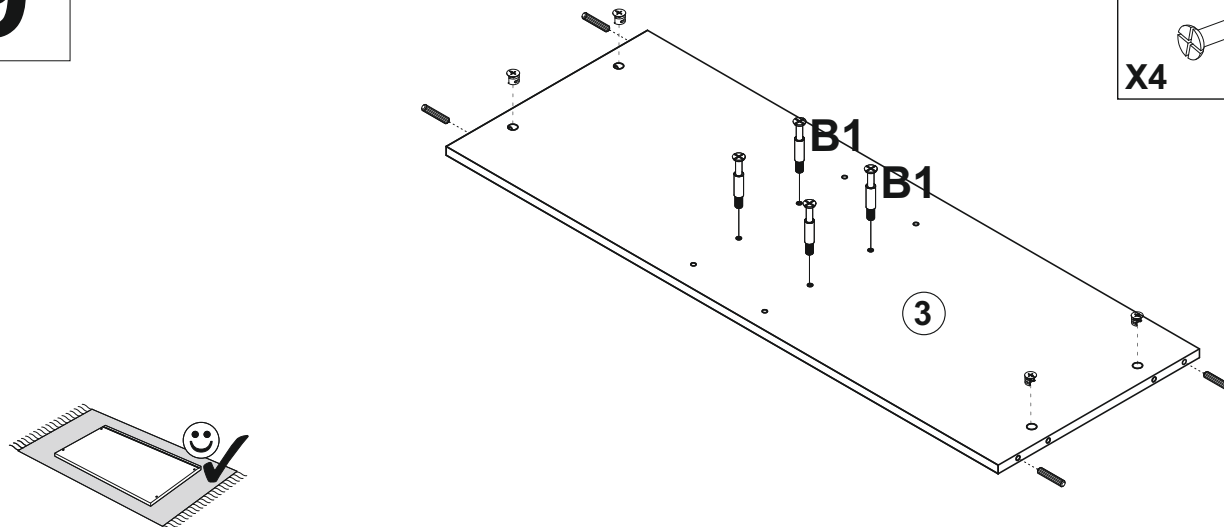
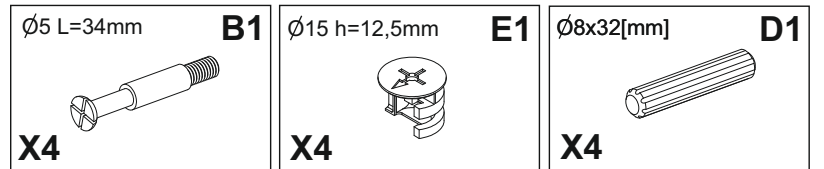
7



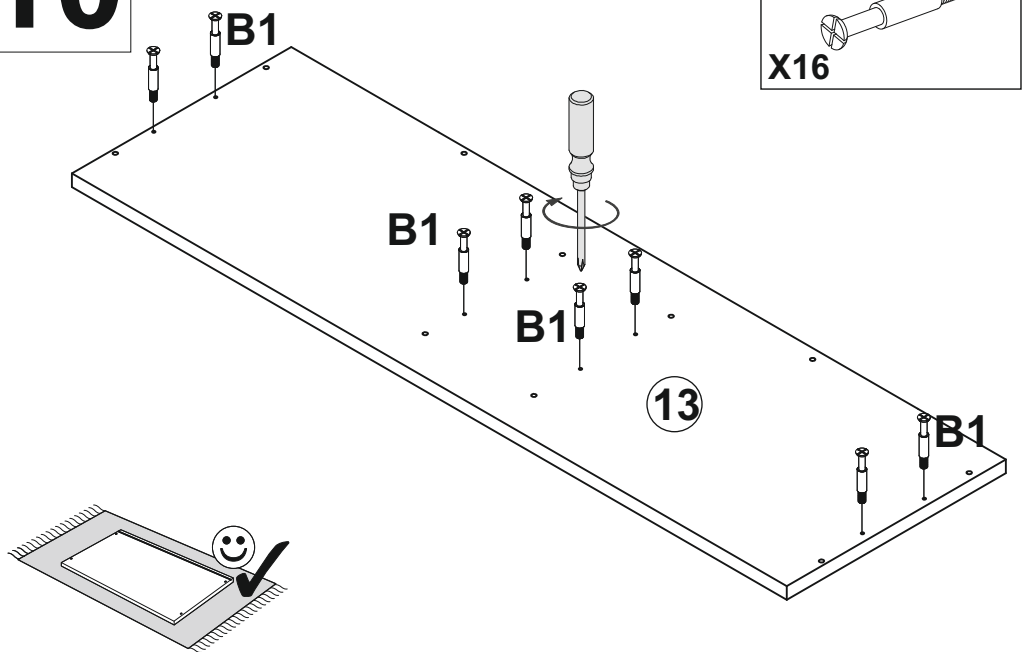
8



9

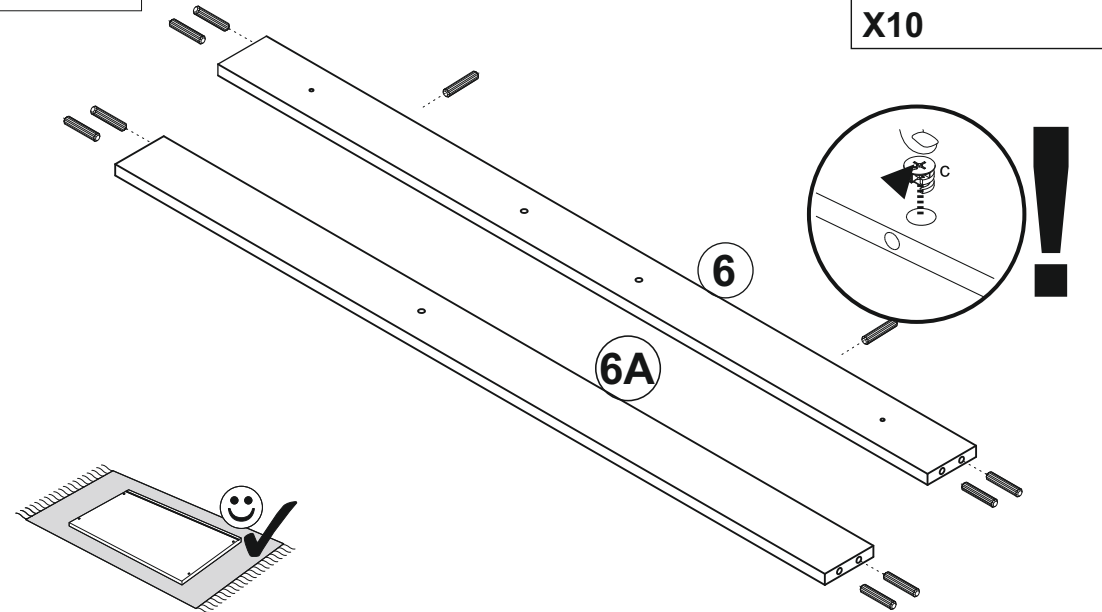


10



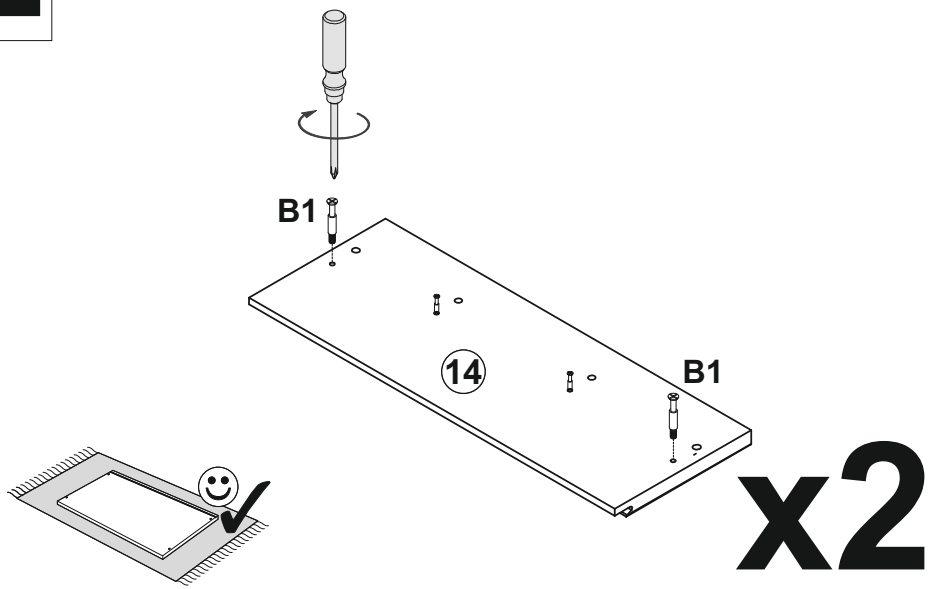
$\text{Ø}5$ L=34mm
B1
X16

11



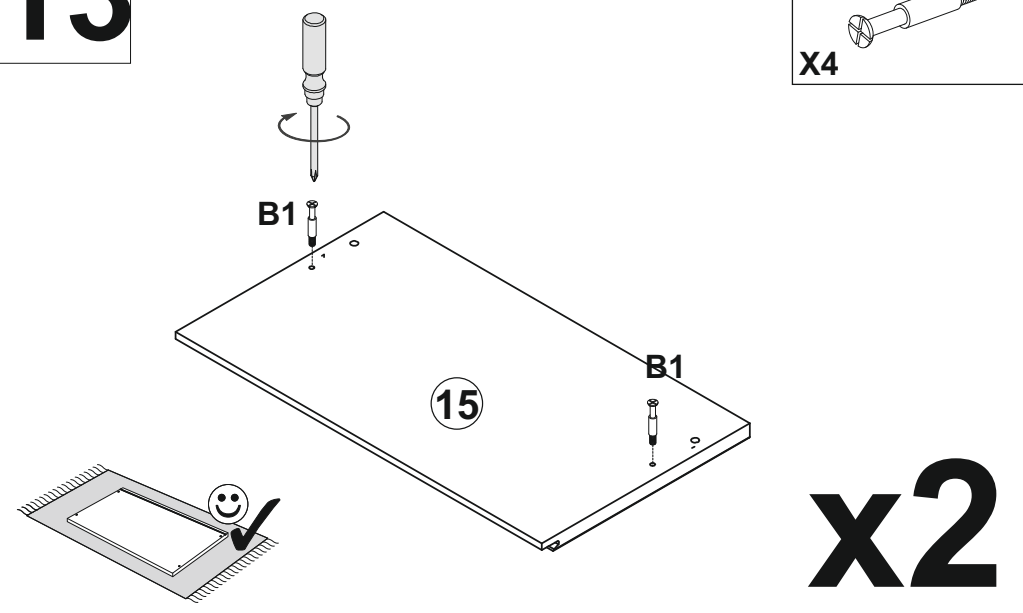
$\text{Ø}8 \times 32$ [mm]
D1
X10

12



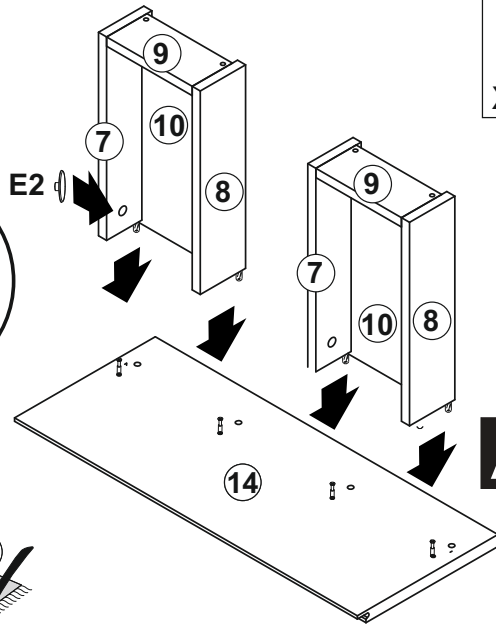
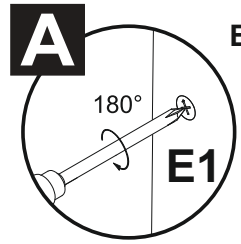
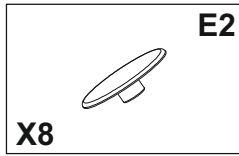
$\text{Ø}5$ L=34mm
B1
X4

13

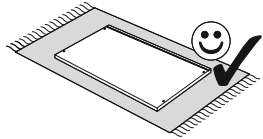


$\text{Ø}5$ L=34mm
B1
X4

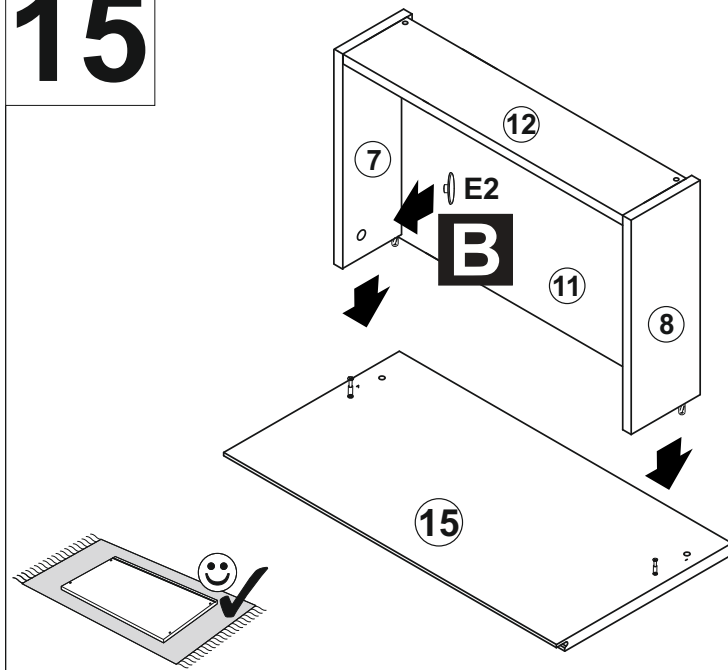
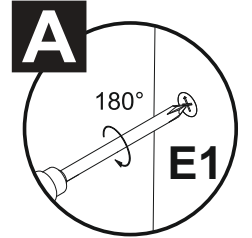
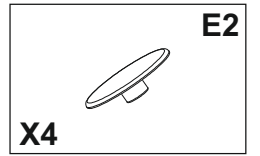
14



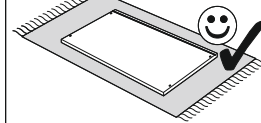
A
X2



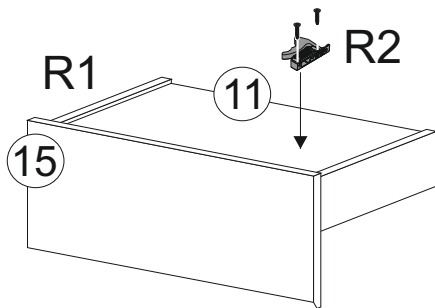
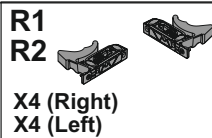
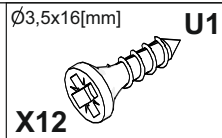
15



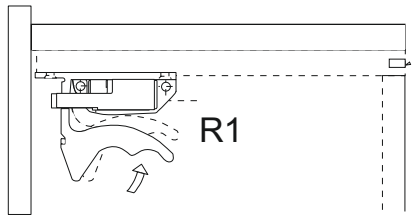
A
X2



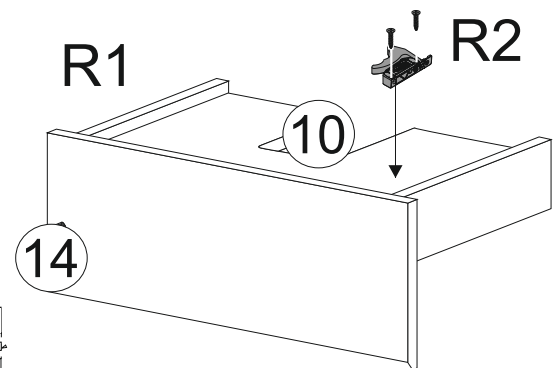
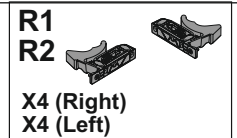
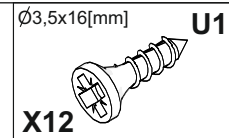
16



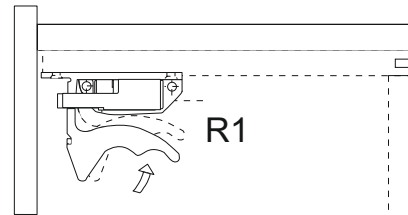
Front



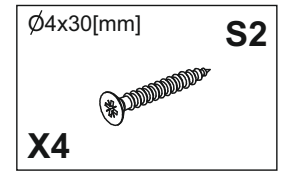
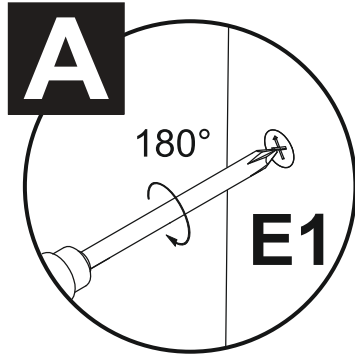
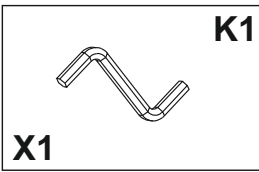
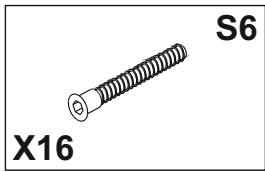
17



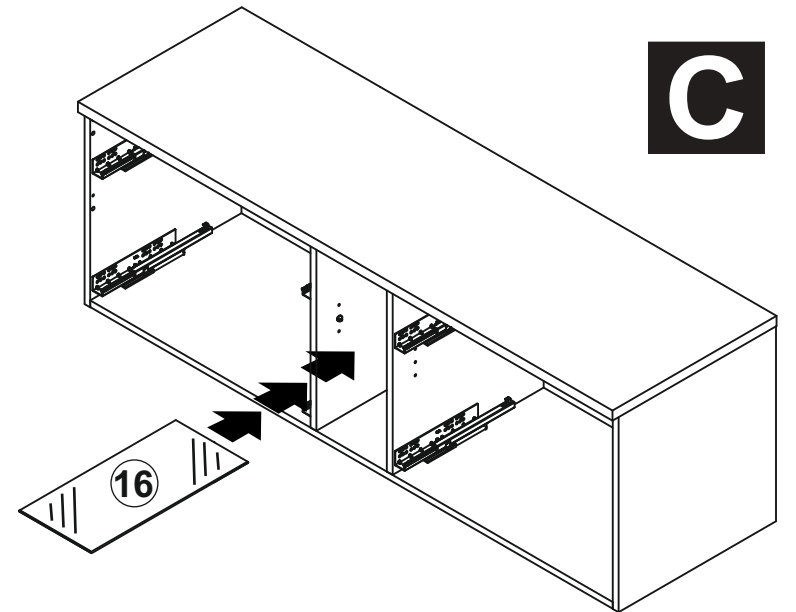
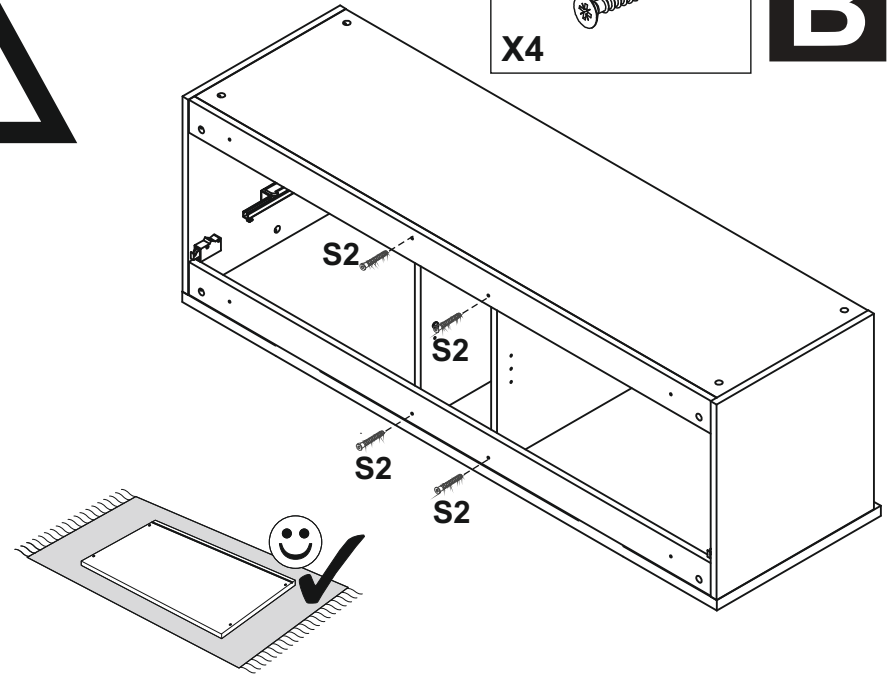
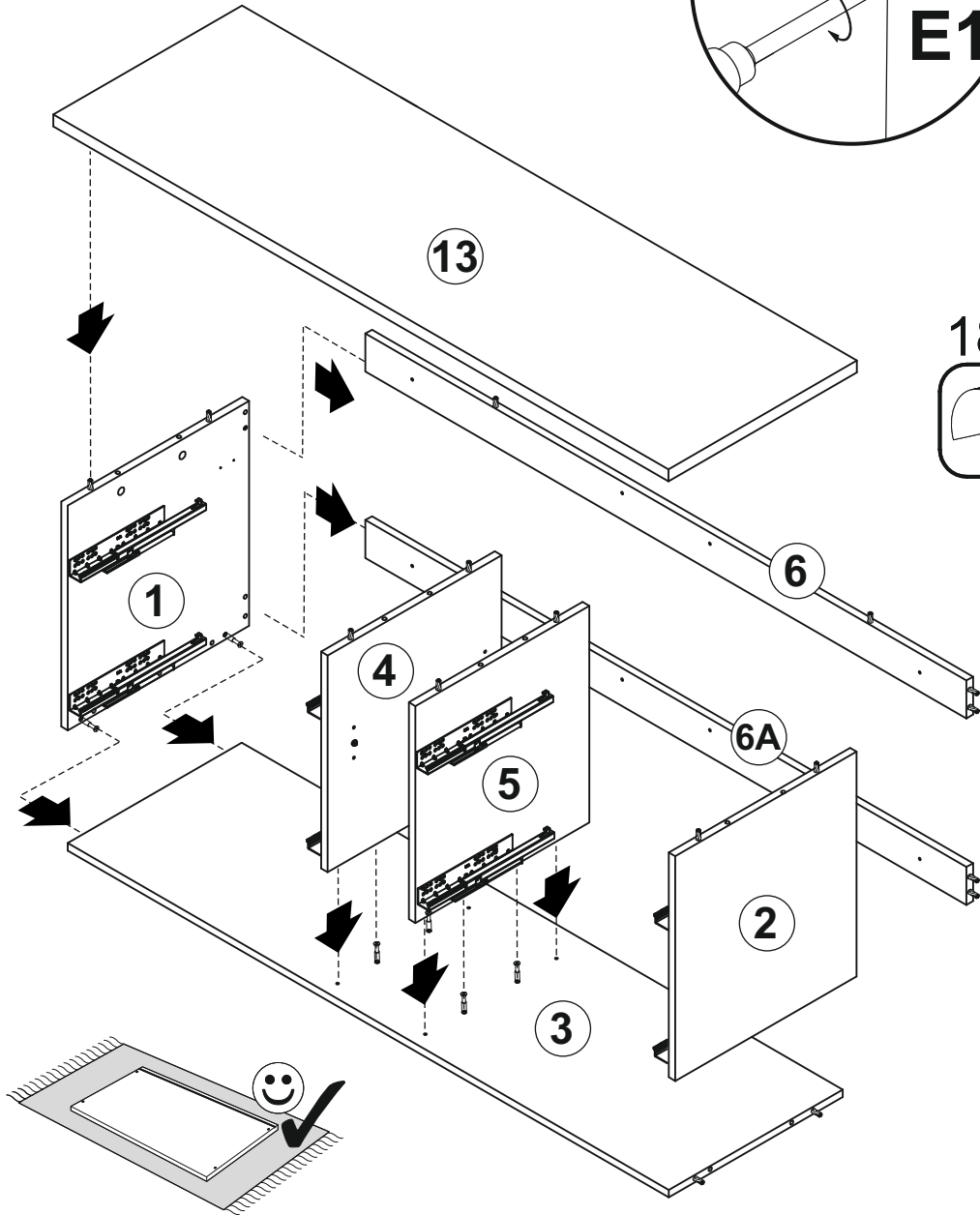
Front

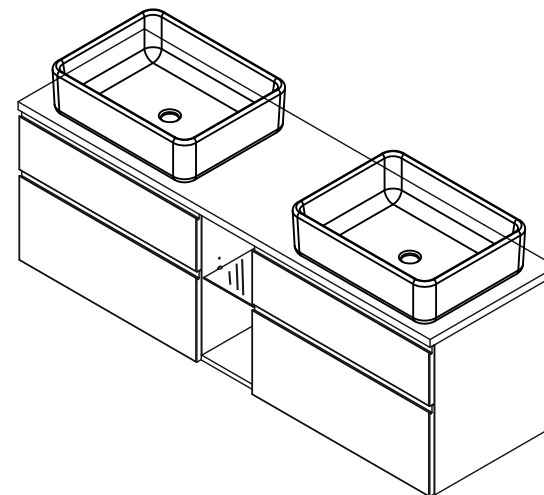
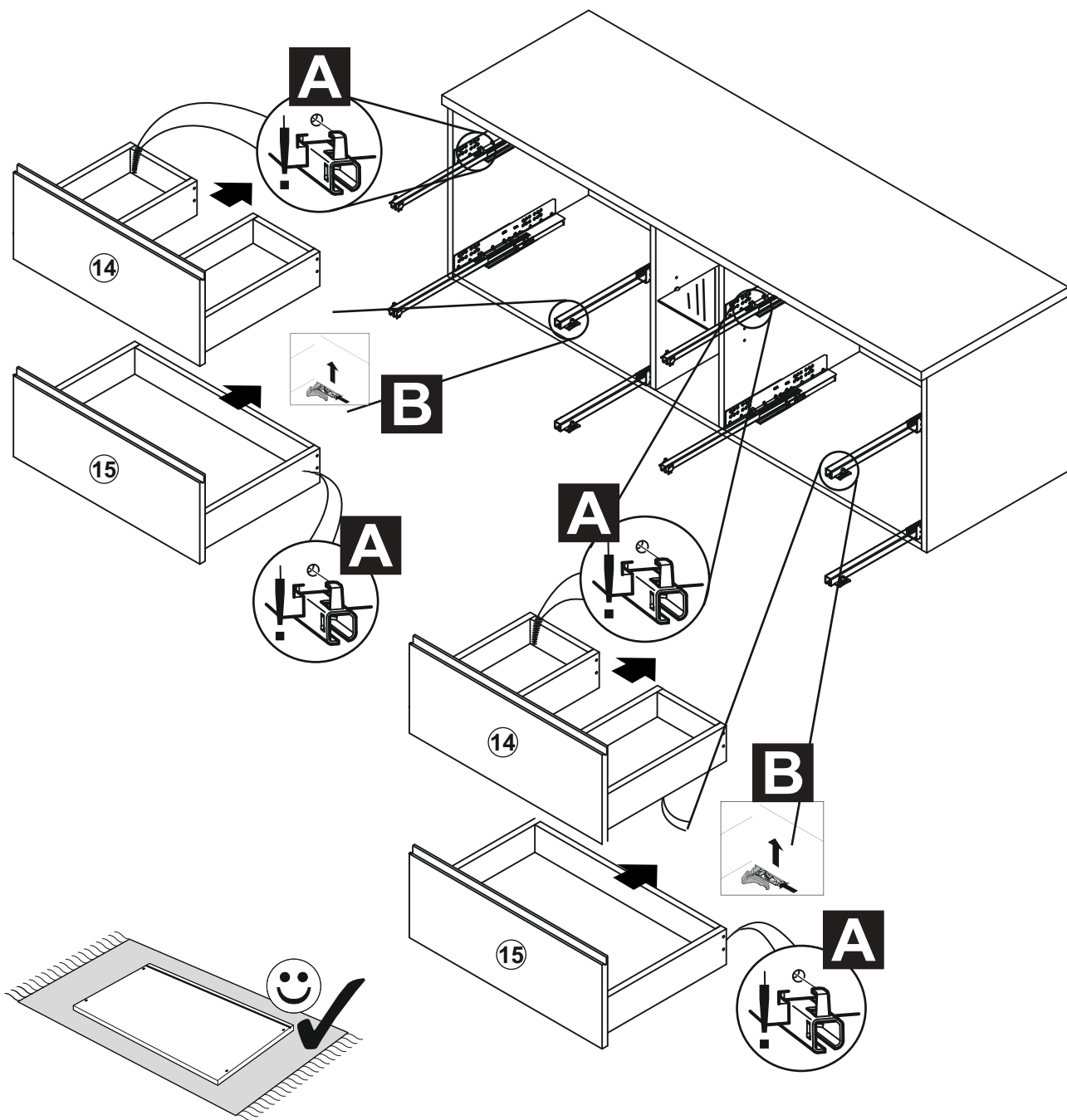


18



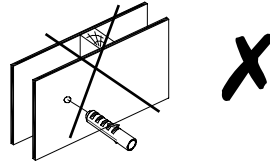
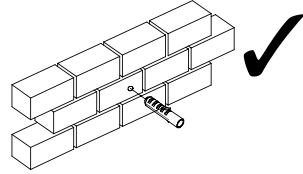
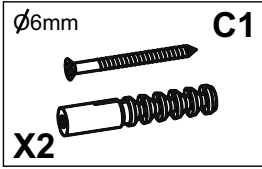
B



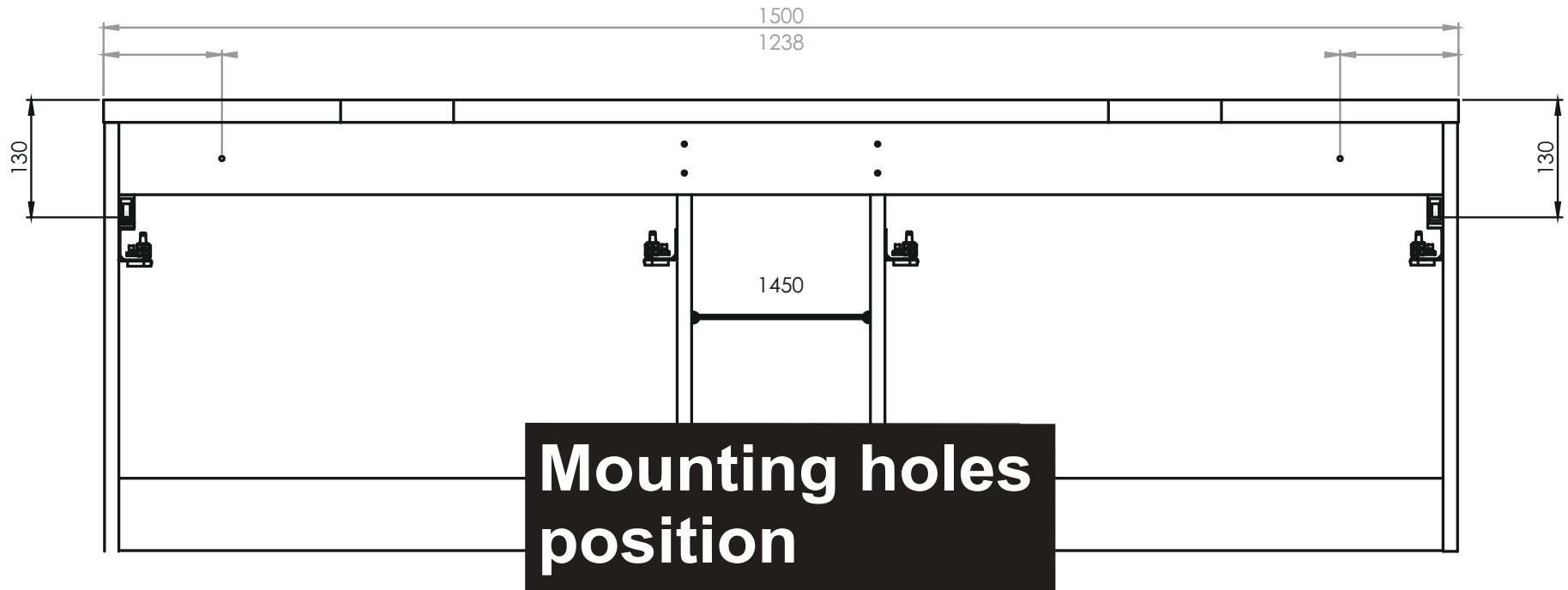


Before cut-out in top board
please check position of wash basin
and siphon structure
in the context of the structure inside the cabinet.
Seal the connection with silicone

20



Included plugs **C1** are dedicated **ONLY** for solid concrete wall in place of the furniture hangers.



The assembly service must provide the remaining mounting pins to the appropriate wall for installation of the furniture.