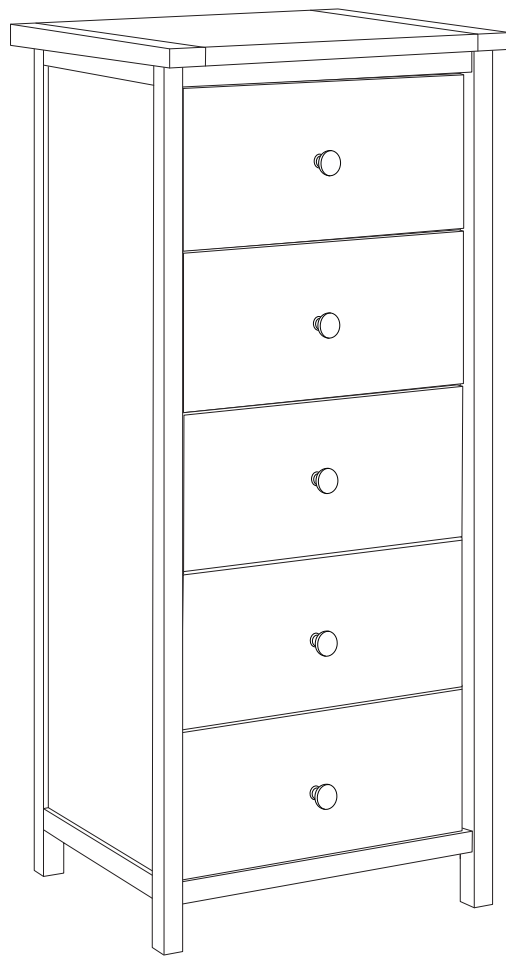
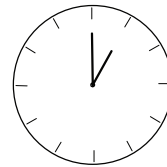
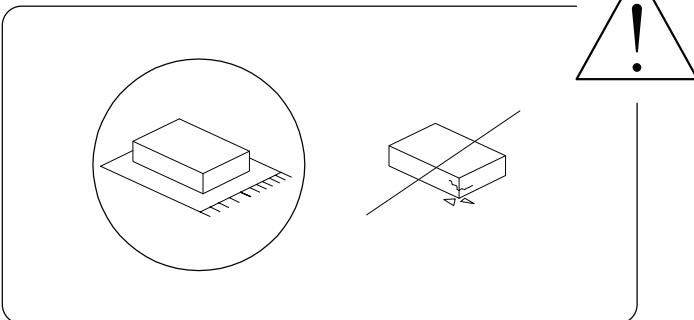
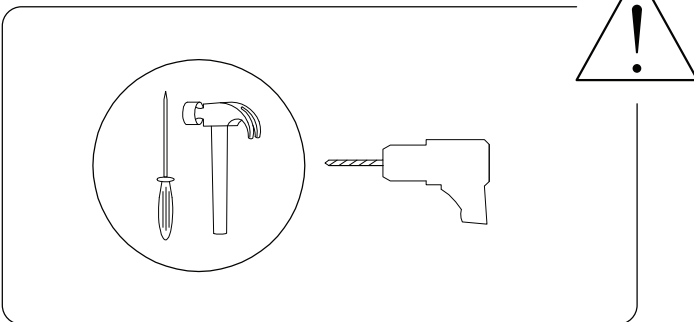
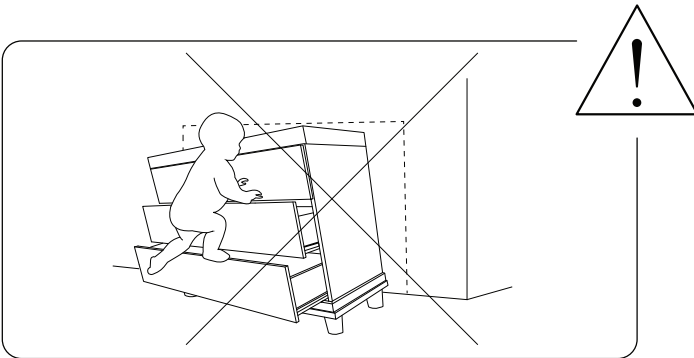
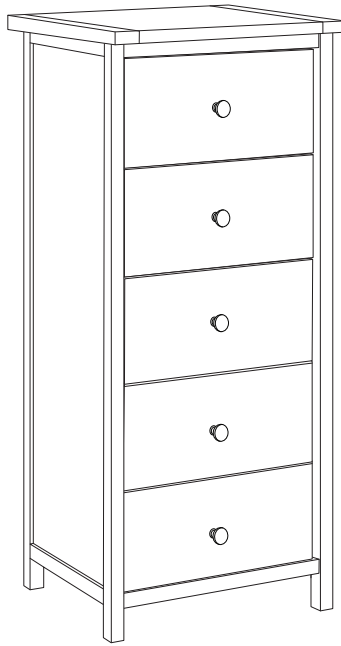
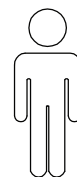


SALTON

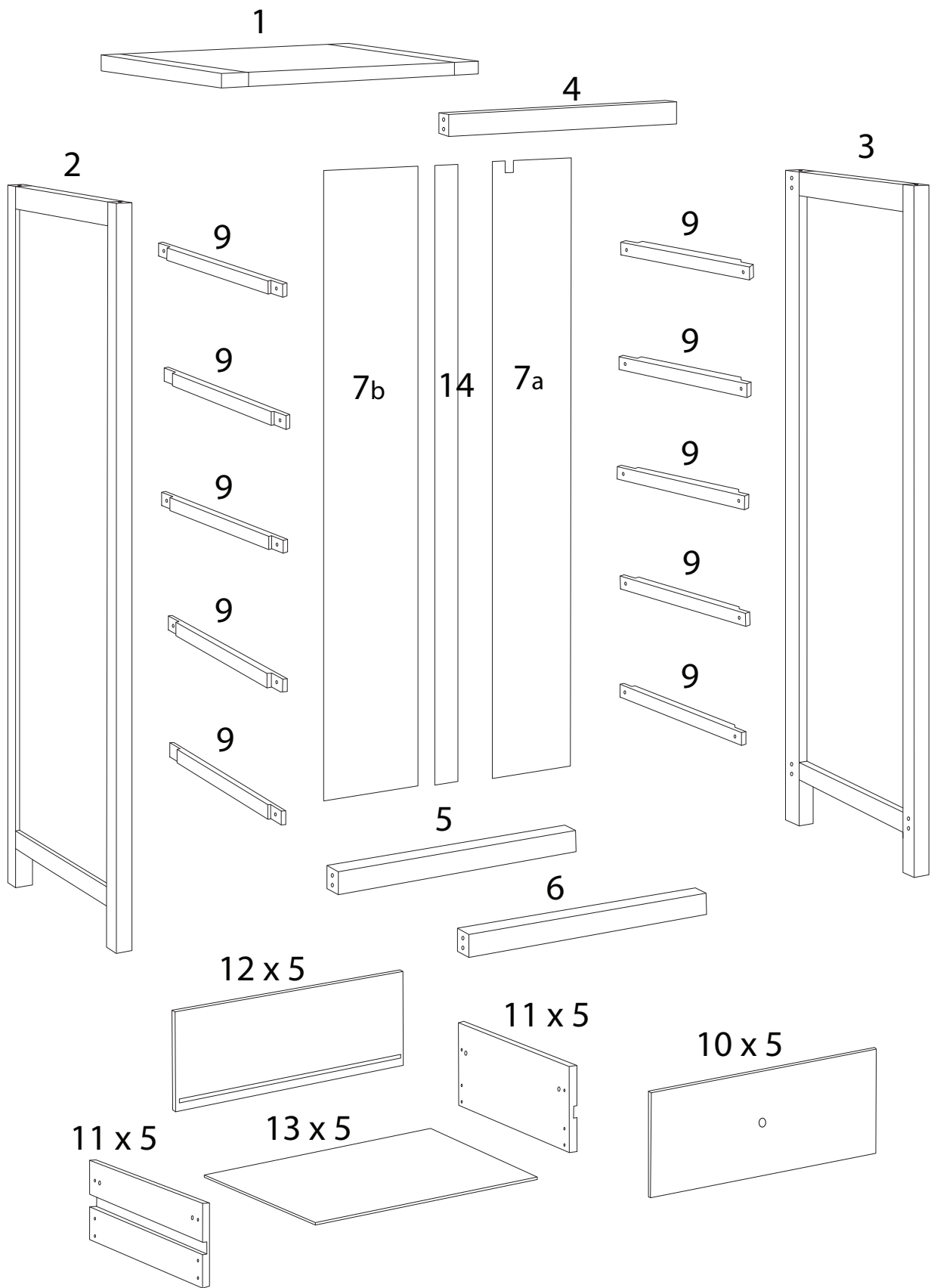




60'



2



1



x 1

2



x 1

3



x 1

4



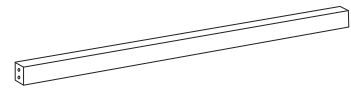
x 1

5



x 1

6



x 1

7a



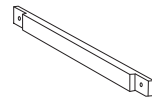
x 1

7b



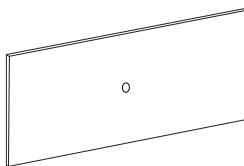
x 1

9



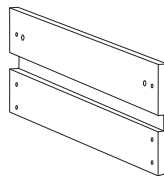
x 10

10



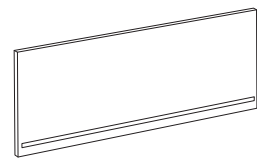
x 5

11



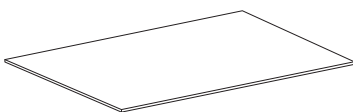
x 10

12



x 5

13



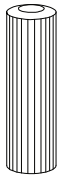
x 5

14



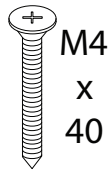
x 1

A



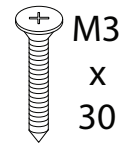
x 22

B



x 11

C



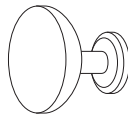
x 80

D



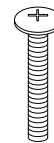
x 22

E



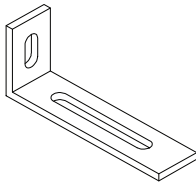
x 5

F



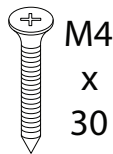
x 5

G



x 1

H



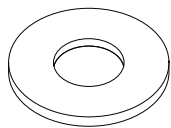
x 1

I



x 1

J



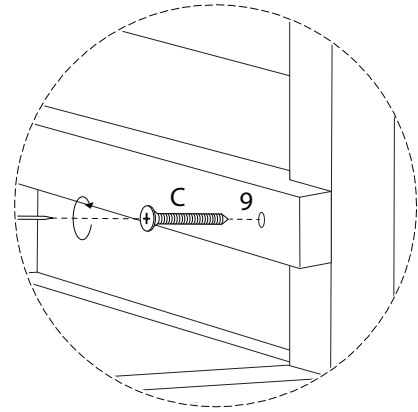
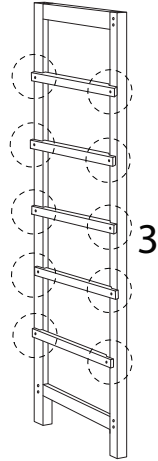
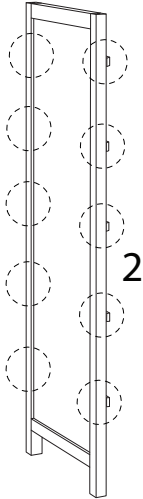
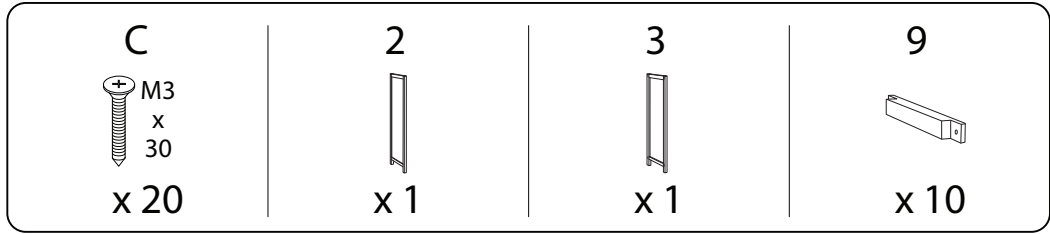
x 2

K

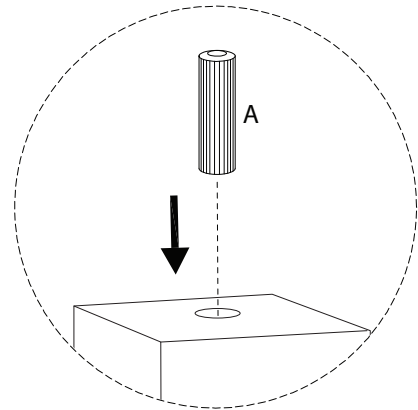
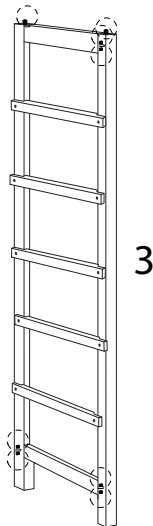
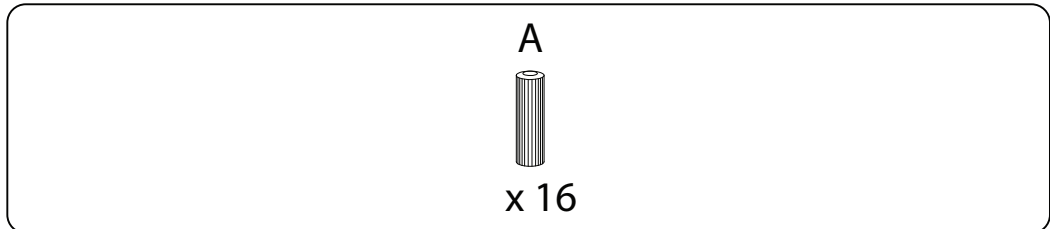


x 1

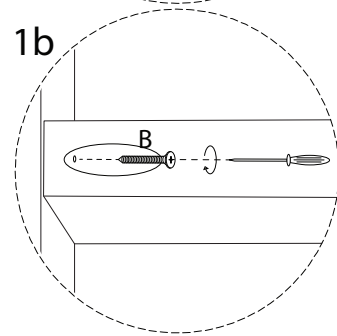
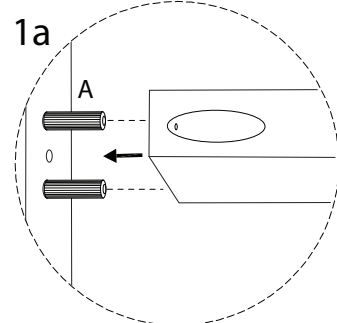
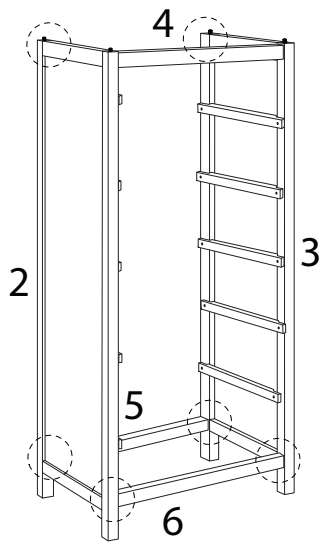
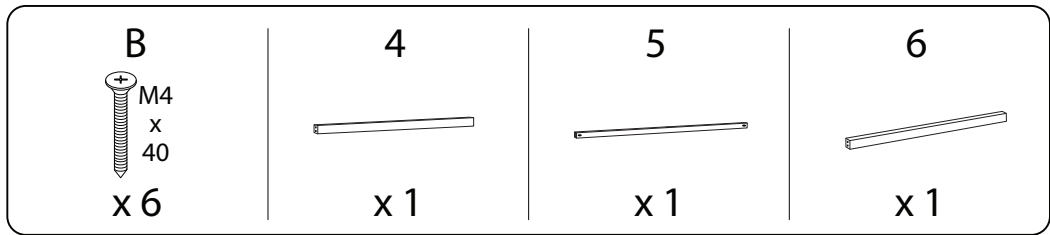
1



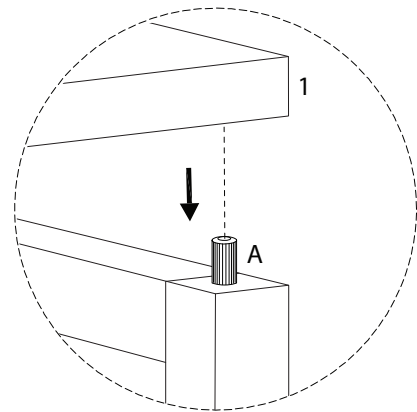
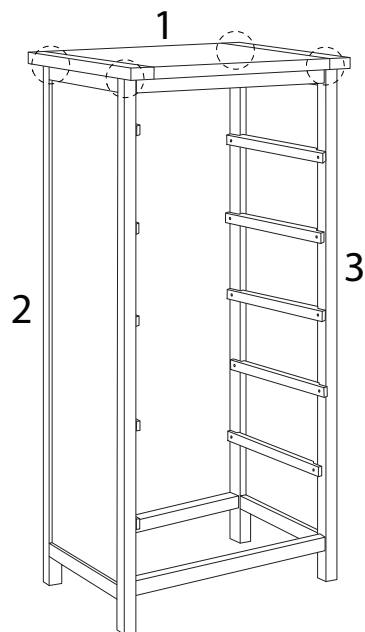
2



3

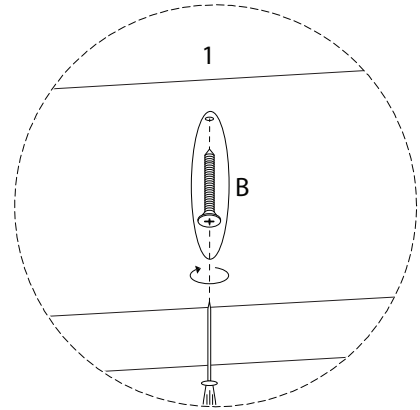
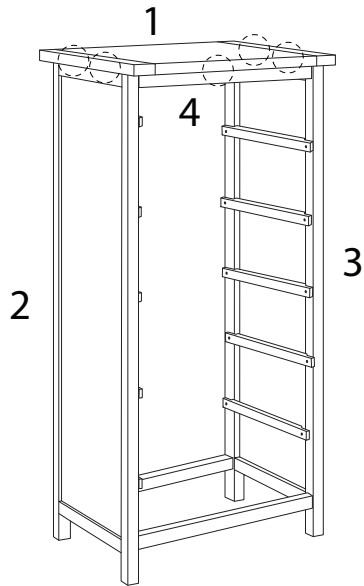


4



5

B
M4
x
40
x 5



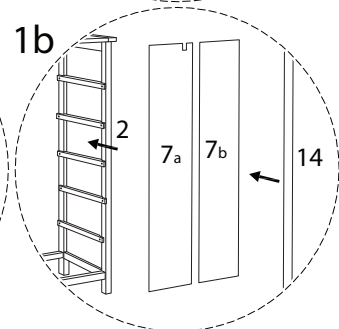
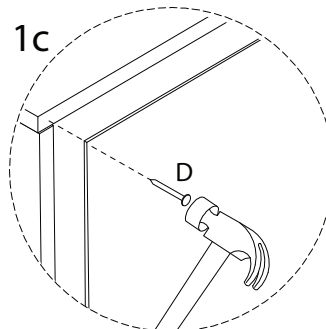
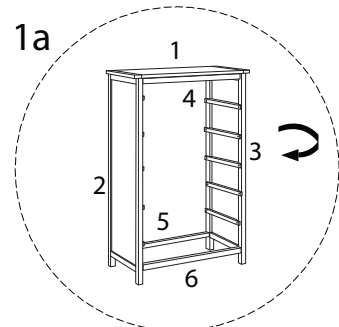
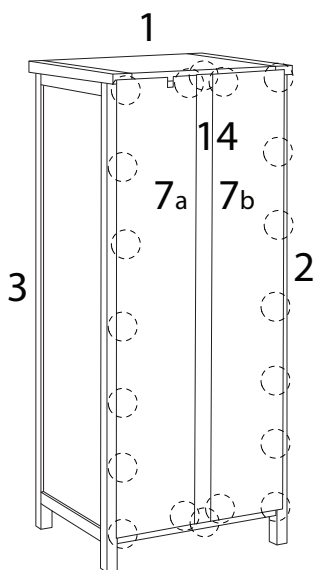
6

D
x 22

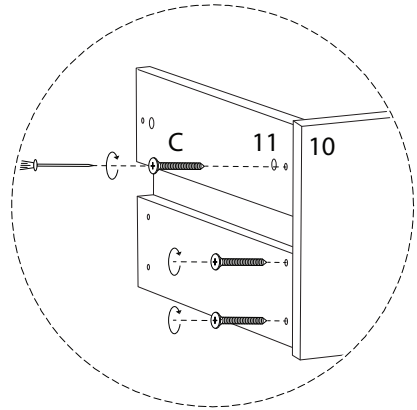
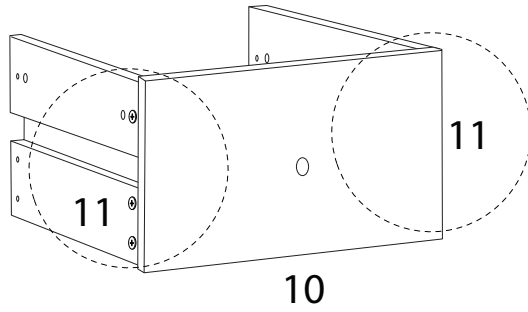
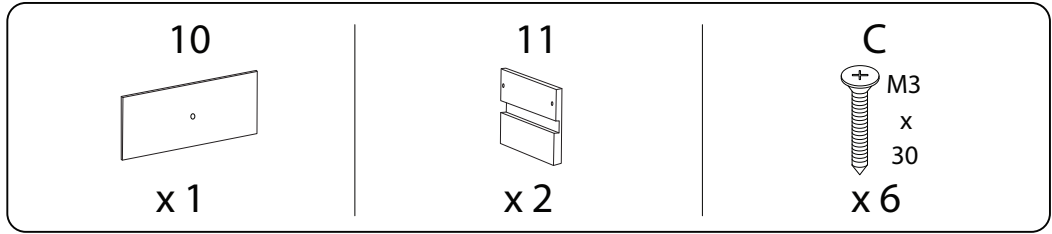
7a
x 1

7b
x 1

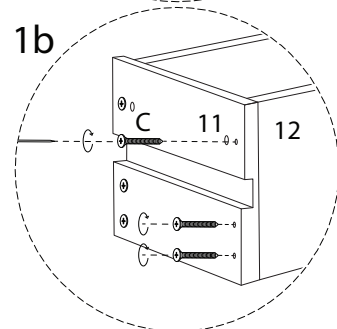
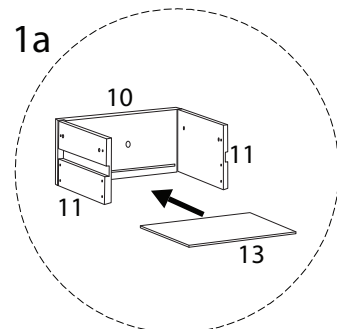
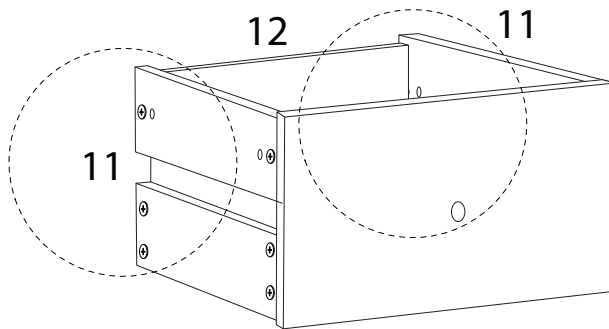
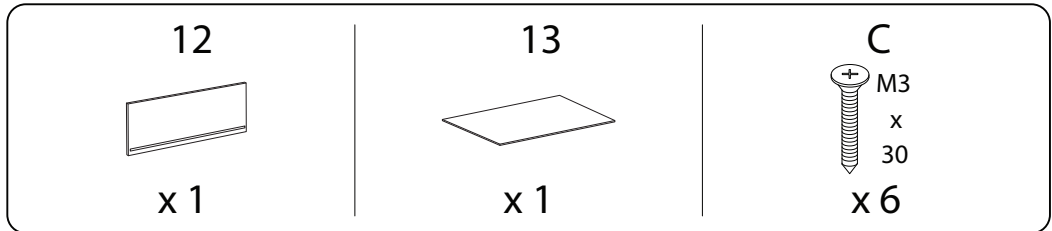
14
x 1



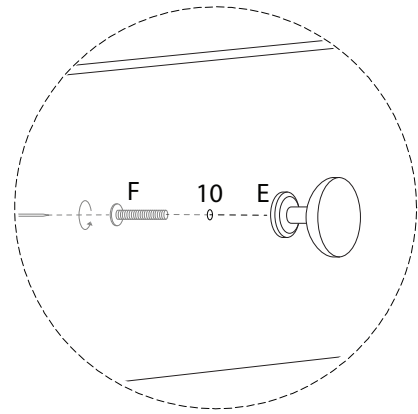
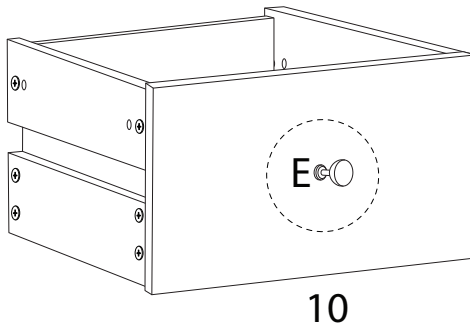
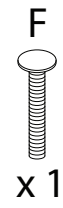
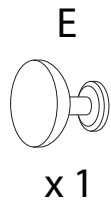
7 x 5



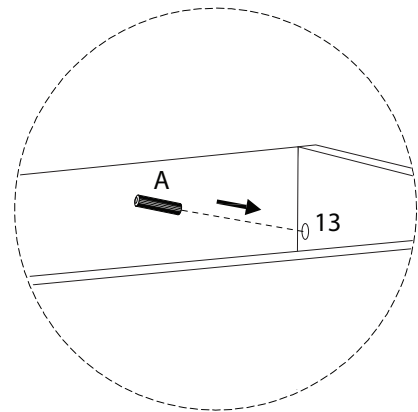
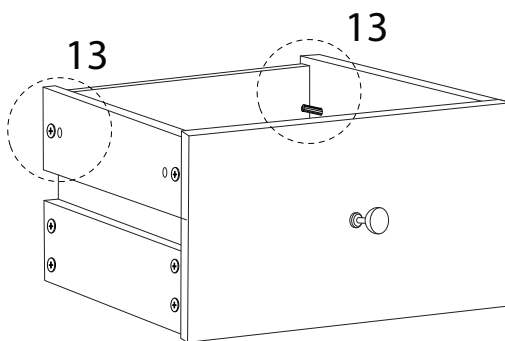
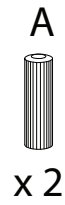
8 x 5



9 x 5



10 x 5

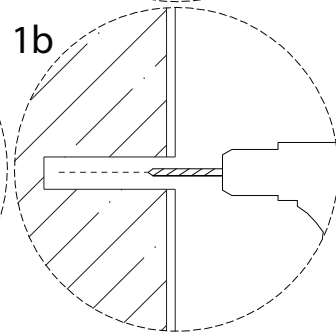
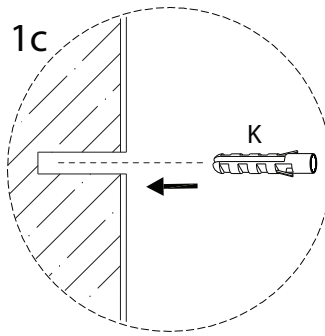
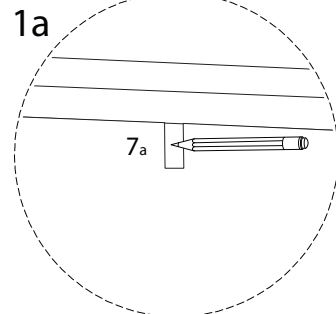
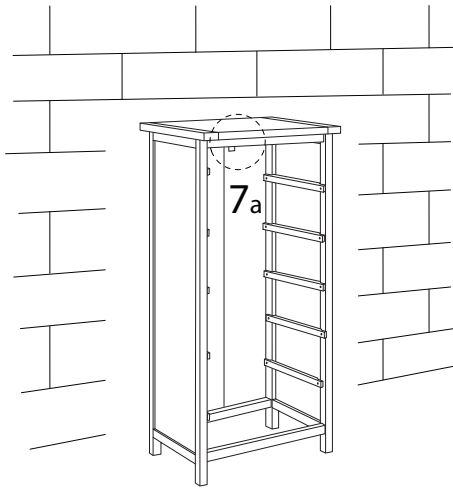


11

K

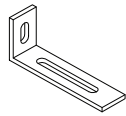


x 1



12

G



x 1

H



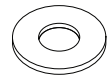
x 1

I

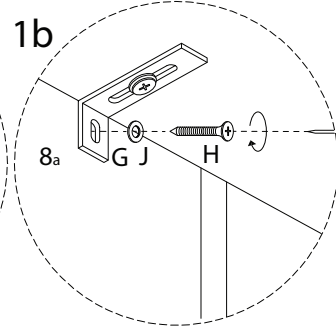
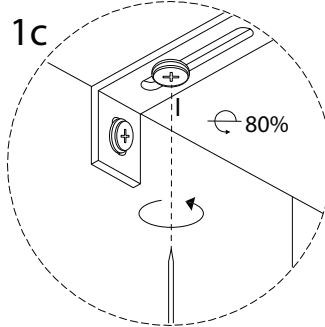
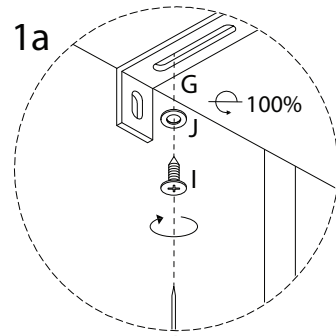
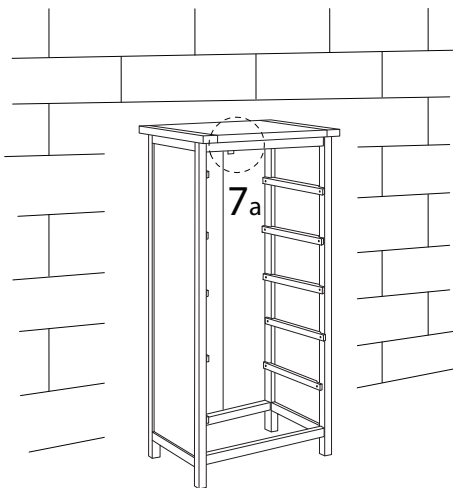


x 1

J



x 2



!

