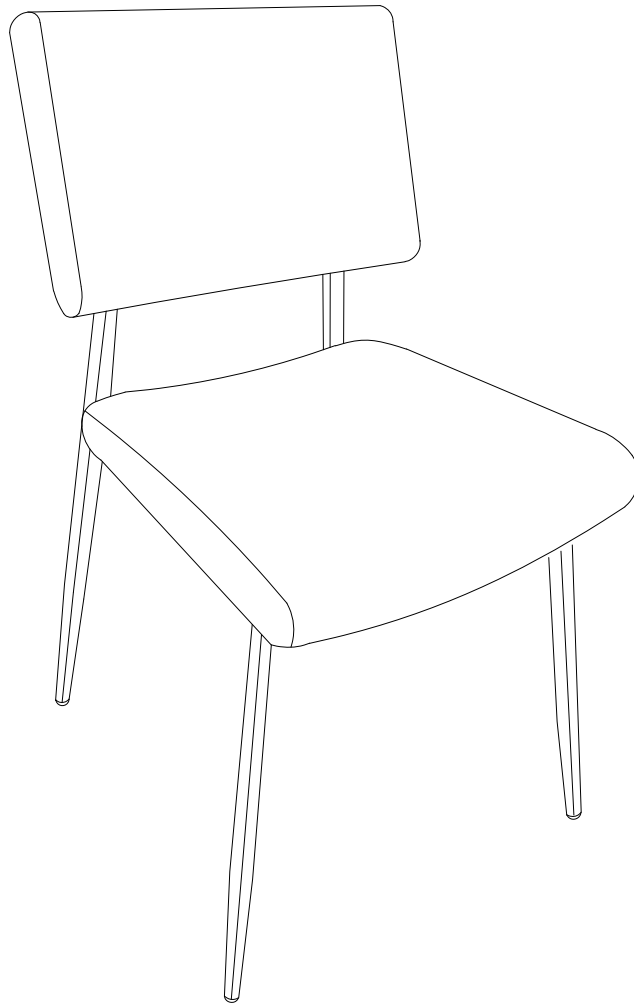
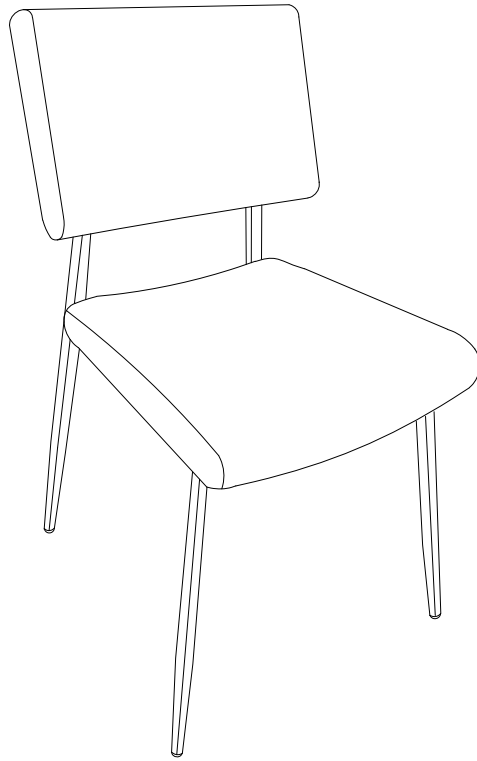
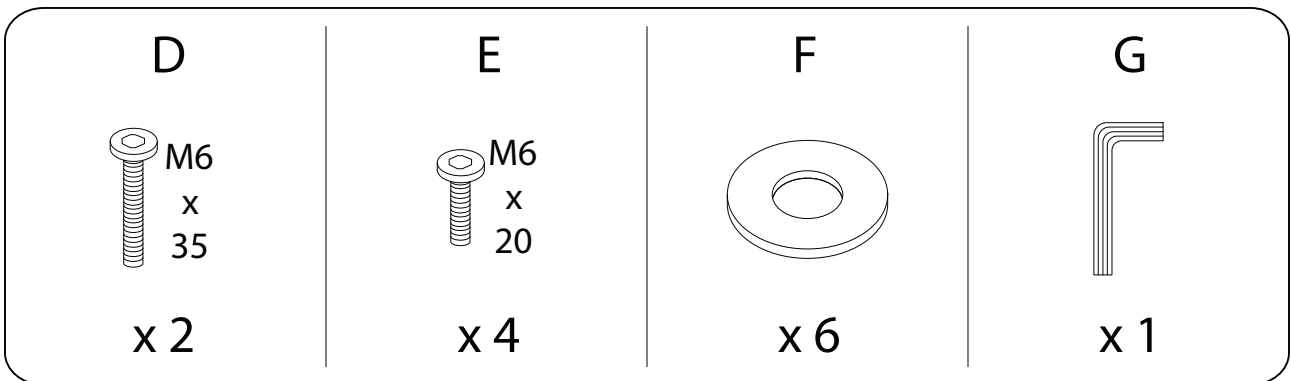
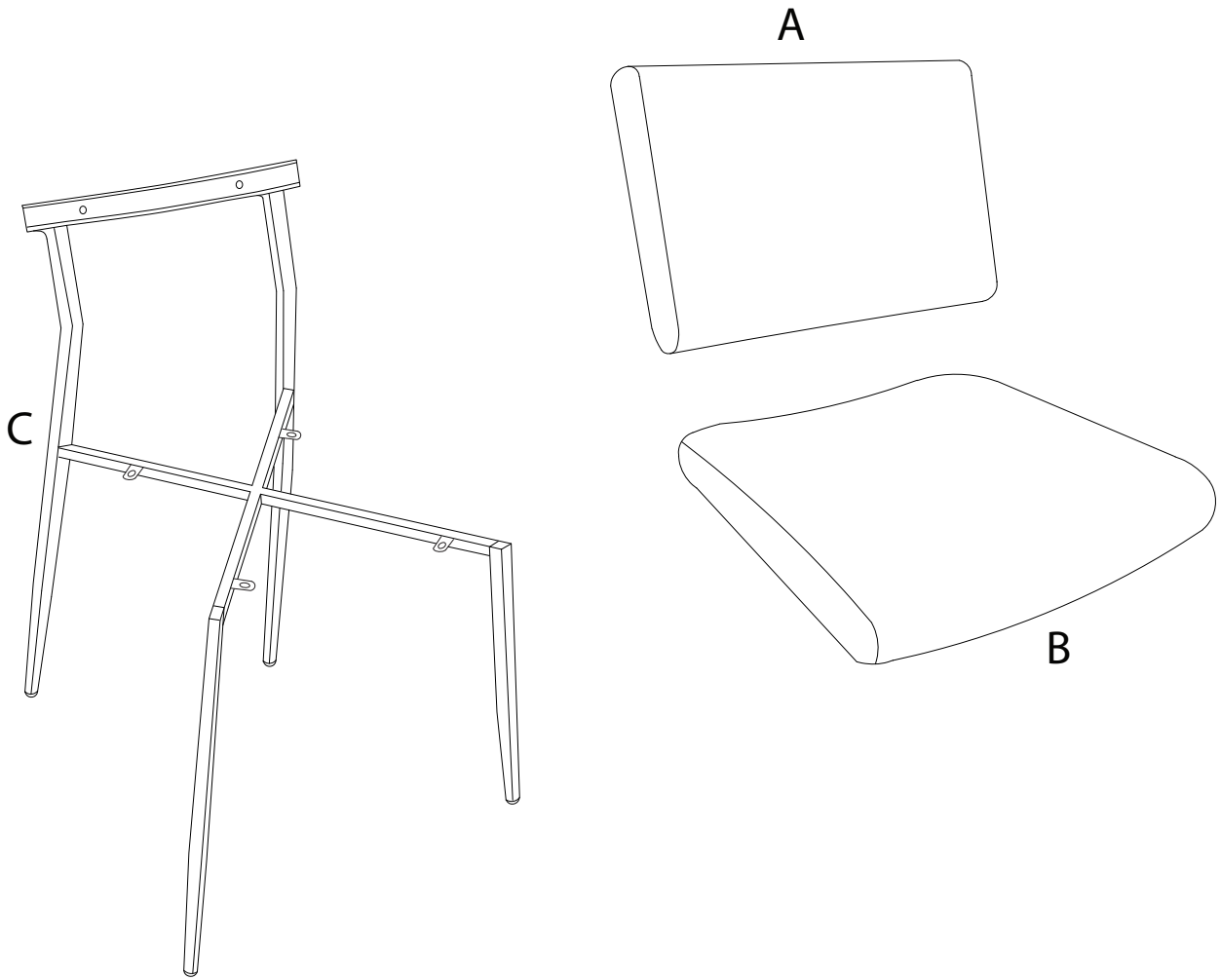
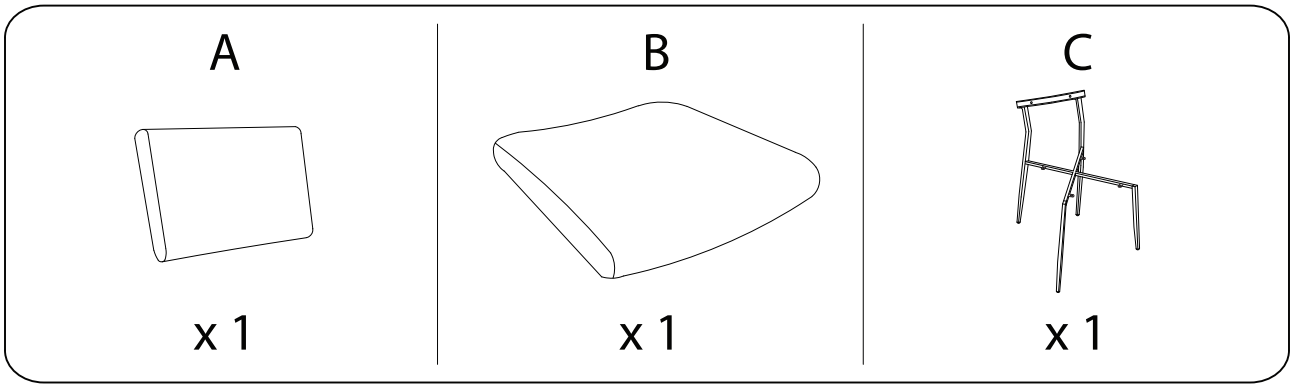


STURGIS

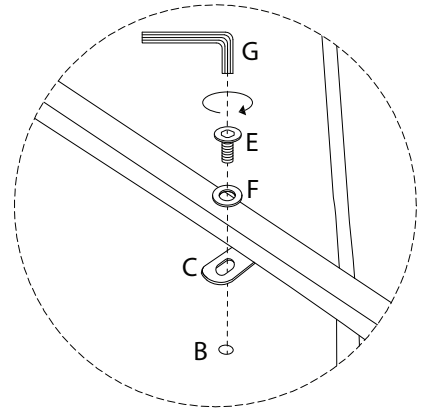
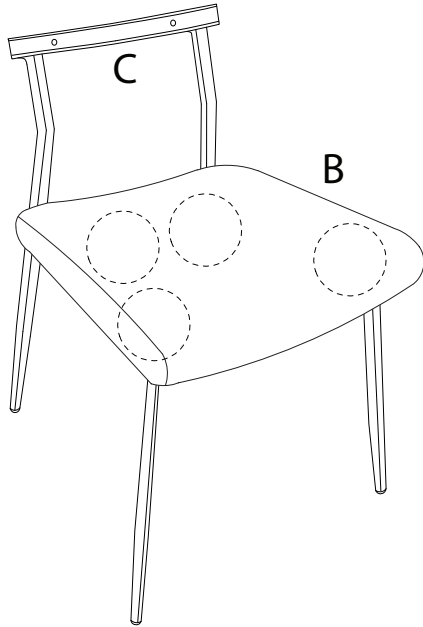
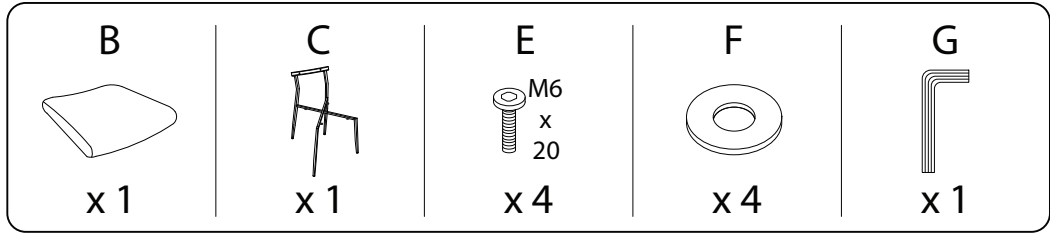




A circular inset shows an L-shaped metal bracket. To its right is a power drill with a diagonal line through it, indicating that power tools should not be used on this part.		
A circular inset shows a rectangular block on a textured surface. To its right is the same block with a diagonal line through it, indicating that heavy objects should not be placed on this part.		10'
		1



1



2

