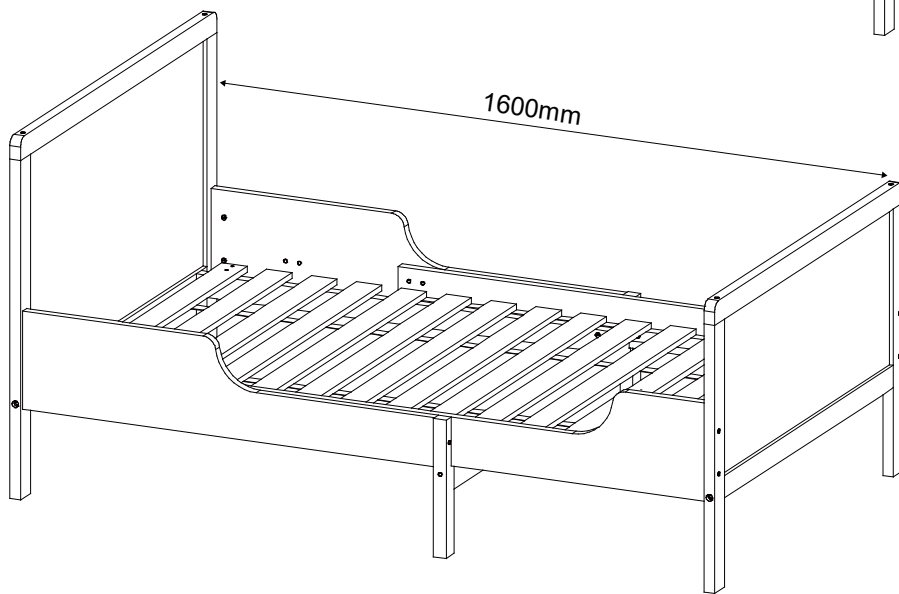
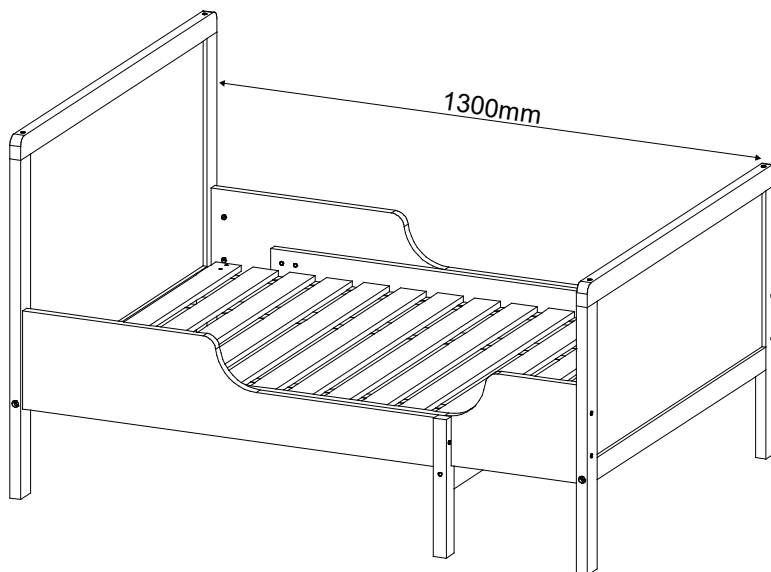


Version 1













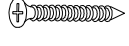







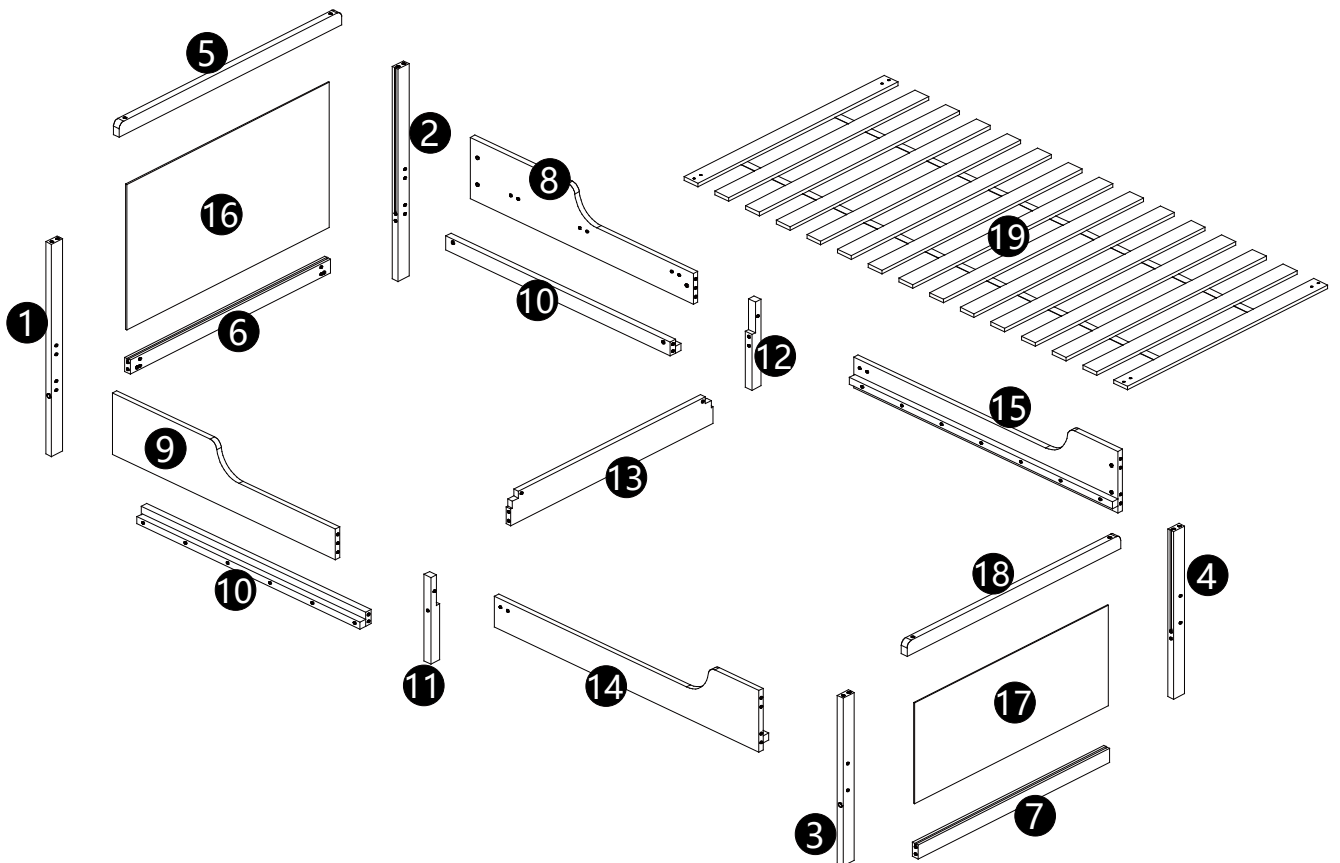
Version 2



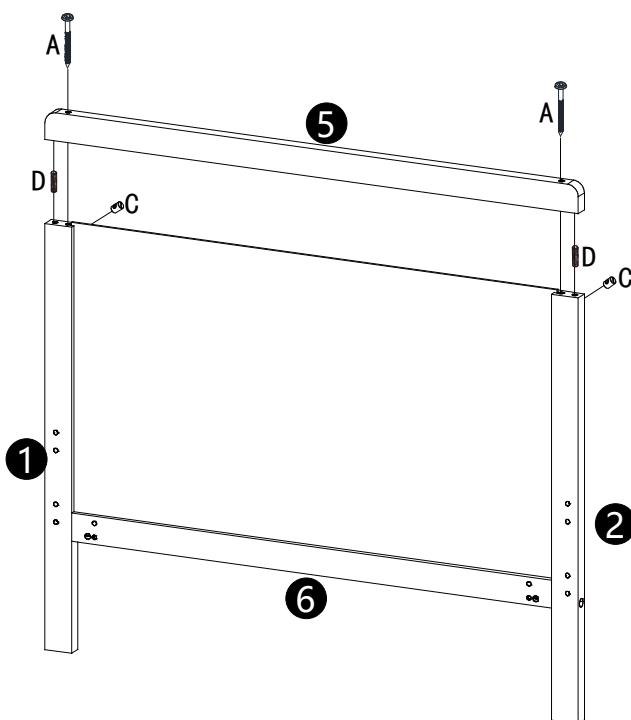
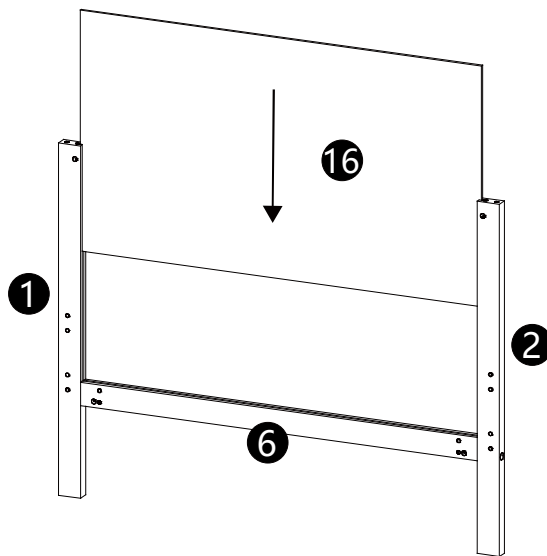
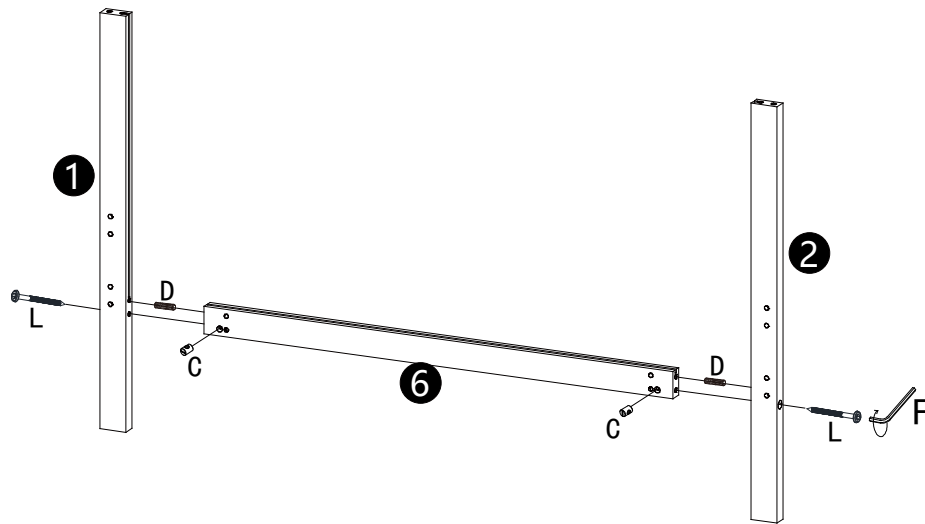
Version 3


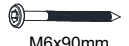




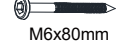
HARDWARE

A	 15mm	 M6x90mm	4	G		1	
B	 15mm	 M6x70mm	12	H	 15mm	 M6x30mm	4
C		Ø10x13mm	24	J		24	
D		Ø8x30mm	26	K		4	
E	 8mm	 Ø4x30mm	4	L	 15mm	 M6x80mm	6
F		M4	1	M	 15mm	 M6x60mm	2

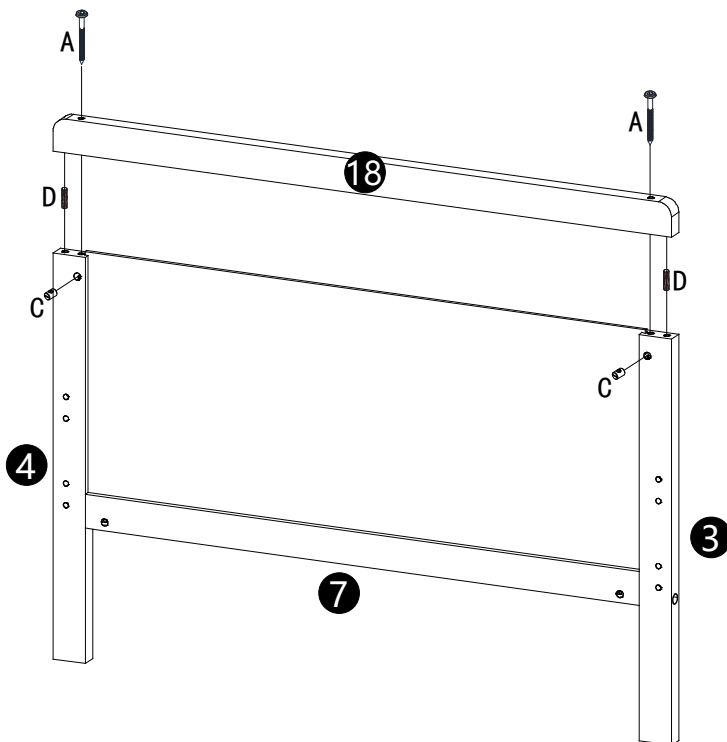
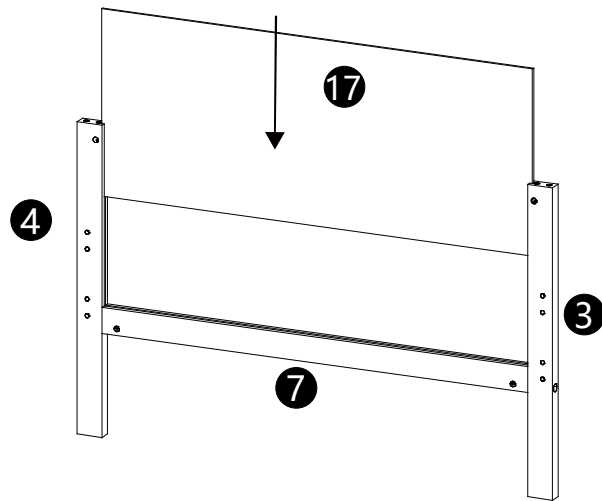
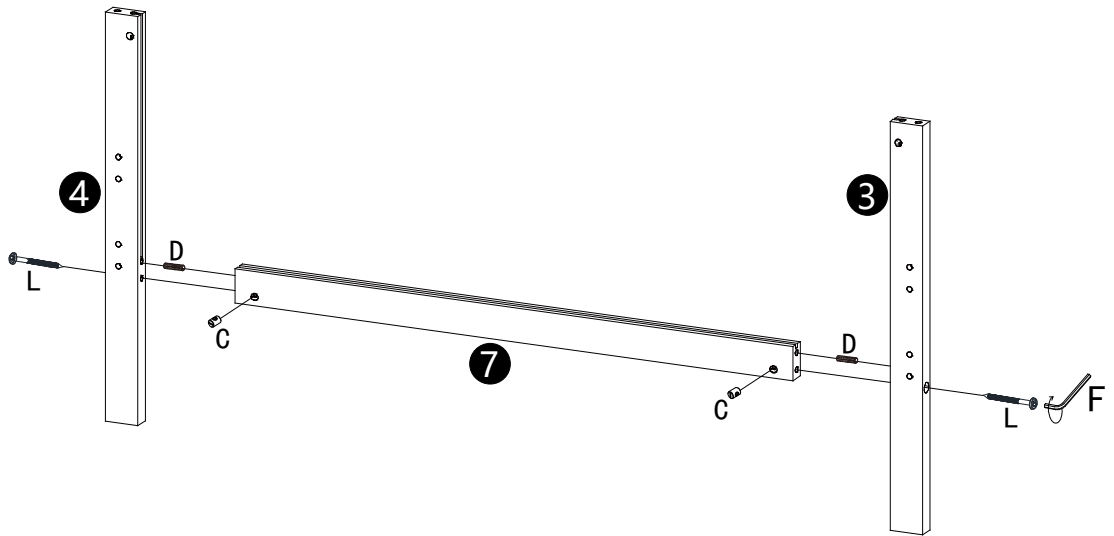


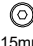






01



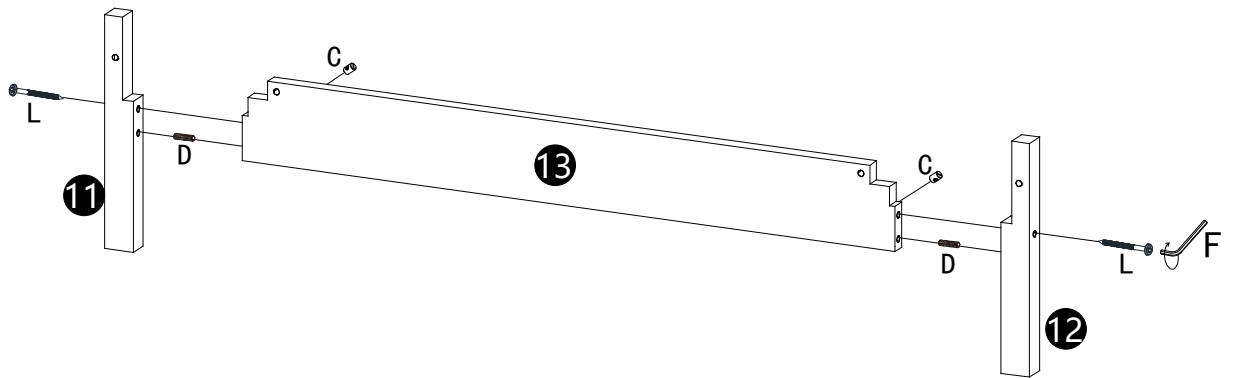
A	 15mm	 M6x90mm	2
C		Ø10x13mm	4
D		Ø8x30mm	4
F		M4	1
L	 15mm	 M6x80mm	2

02



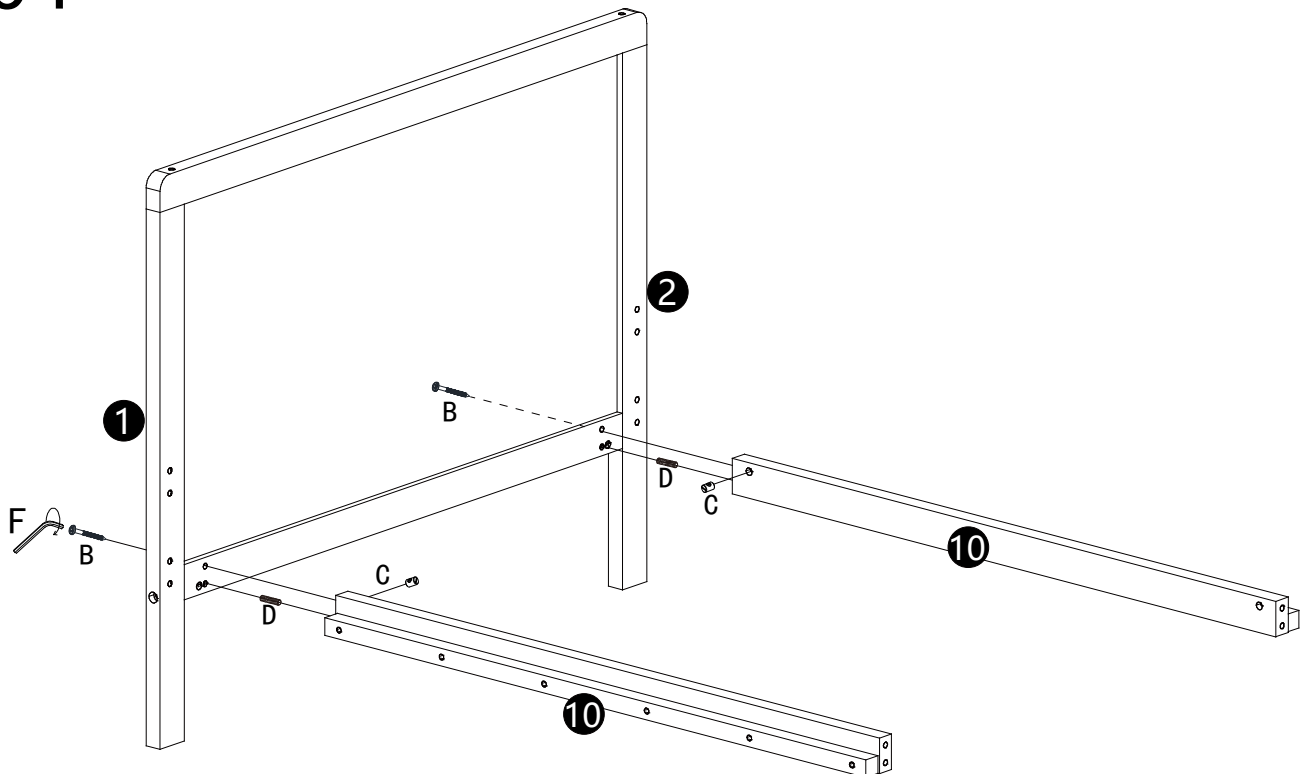
A	 15mm	 M6x90mm	2
C		Ø10x13mm	4
D		Ø8x30mm	4
F		M4	1
L	 15mm	 M6x80mm	2

03



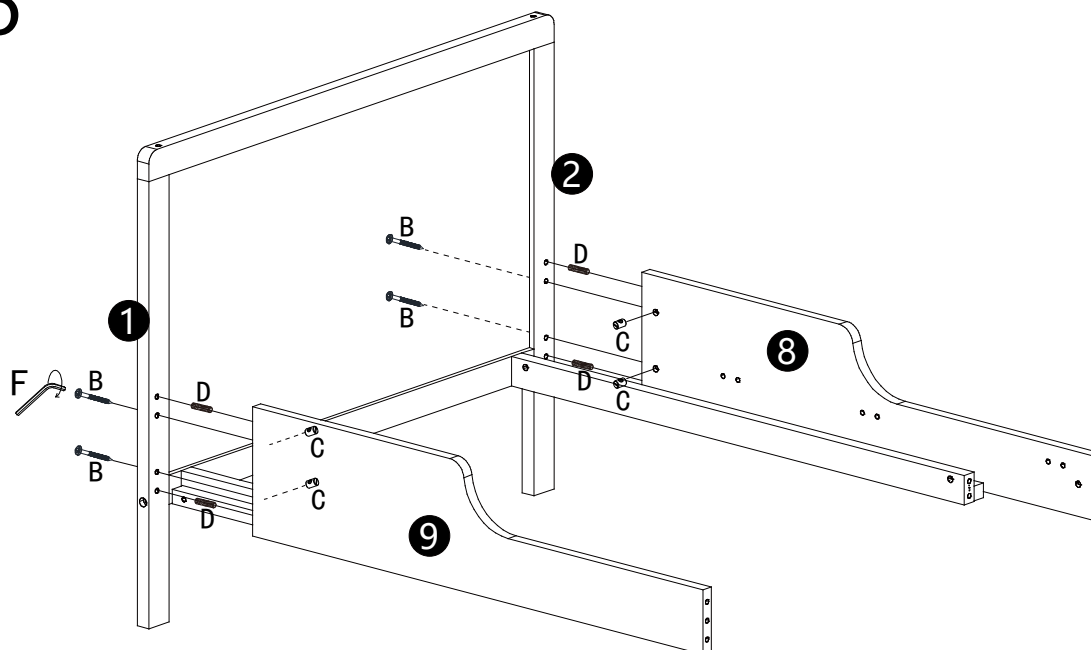
L	15mm	M6x80mm	2	D	Ø8x30mm	2
C	Ø10x13mm		2	F	M4	1

04



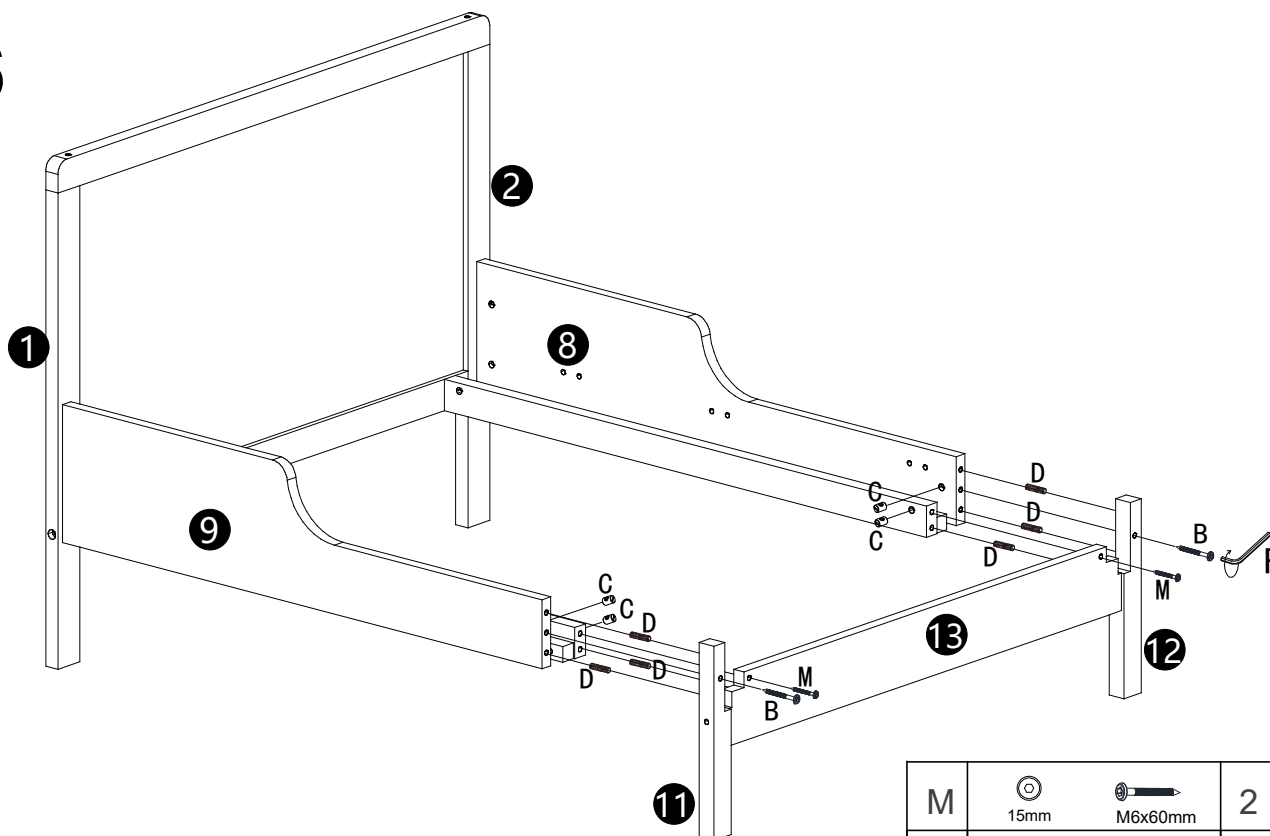
B	15mm	M6x70mm	2	D	Ø8x30mm	2
C	Ø10x13mm		2	F	M4	1

05



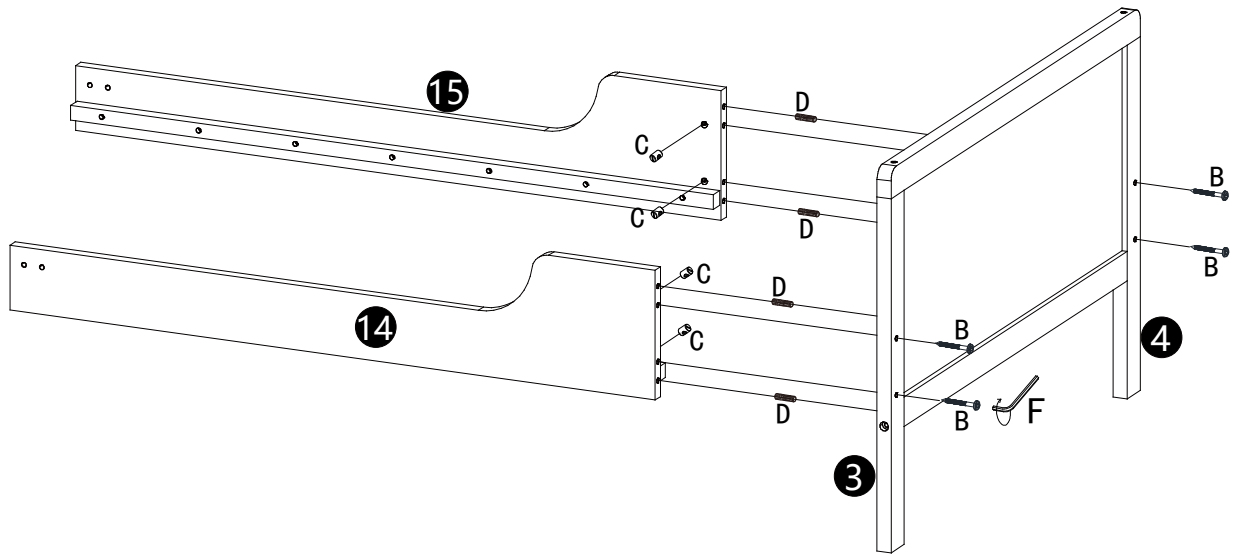
B	15mm	M6x70mm	4	D	Ø8x30mm	4
C		Ø10x13mm	4	F	M4	1




06



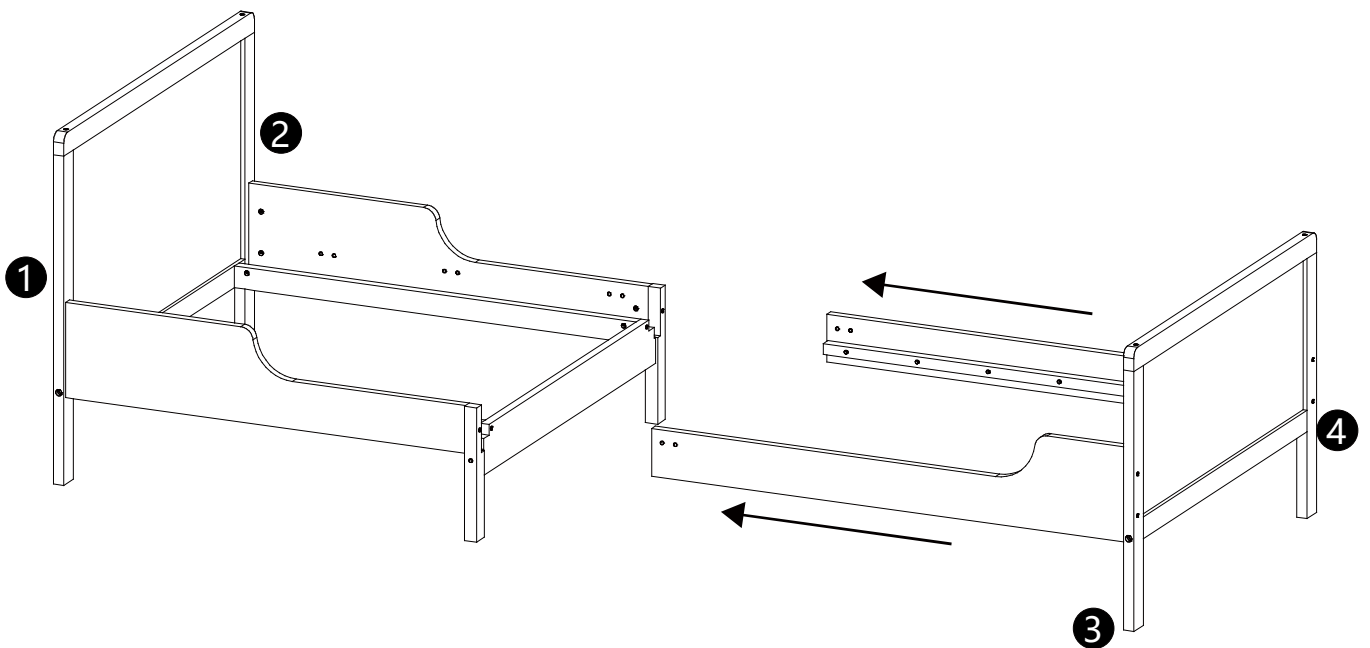
B	15mm	M6x70mm	2	C		Ø10x13mm	4	F	M4	1
M	15mm	M6x60mm	2	D	Ø8x30mm		6			

07

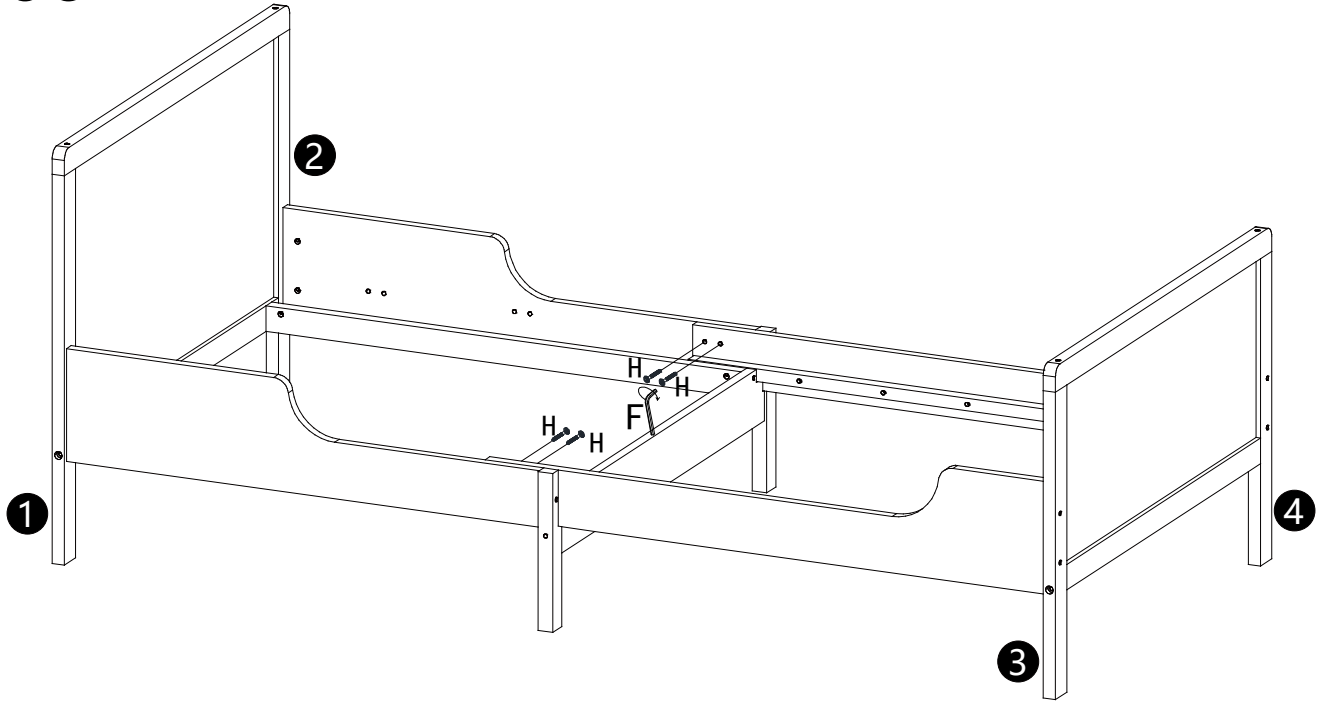


B			4	D		Ø8x30mm	4
C		Ø10x13mm	4	F		M4	1

08

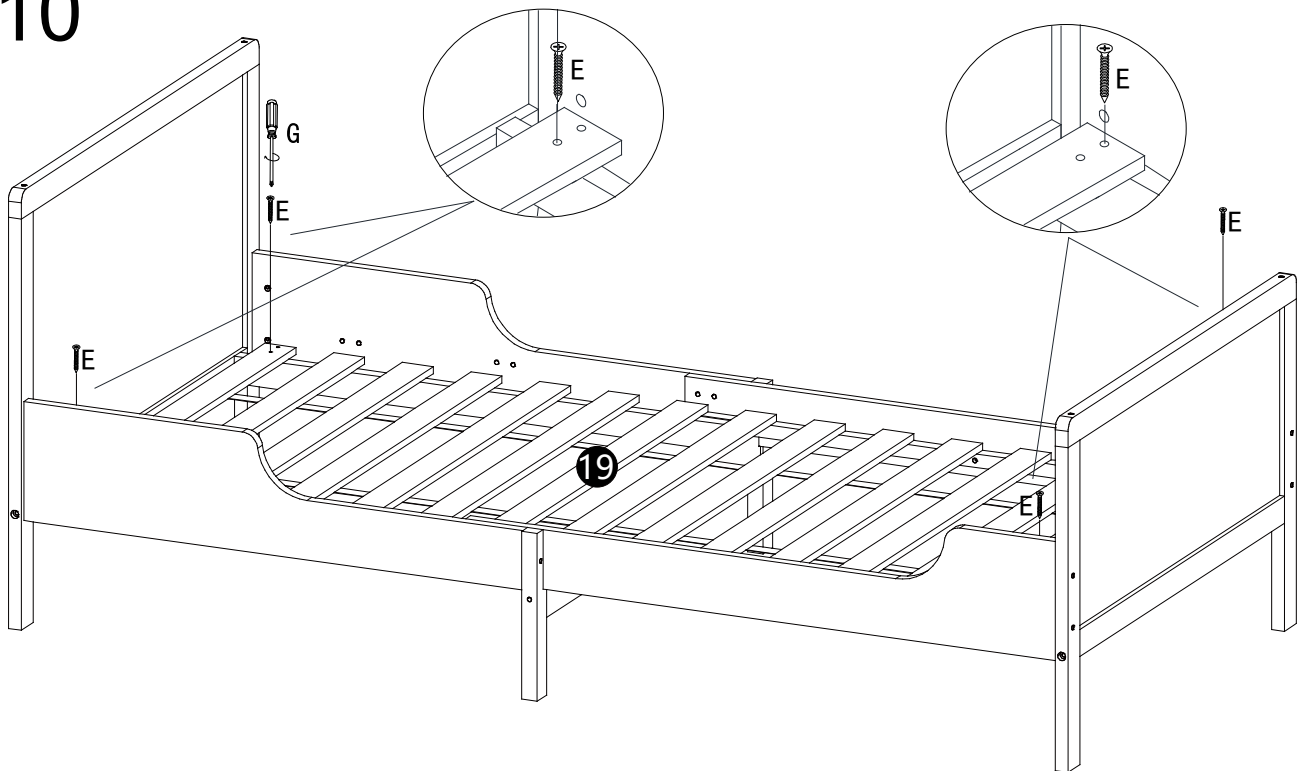


09



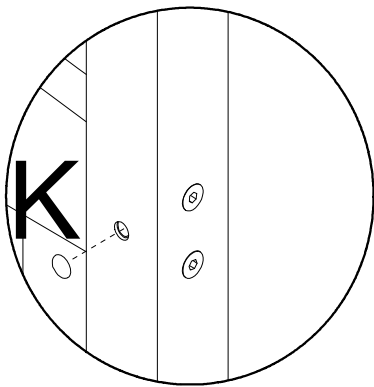
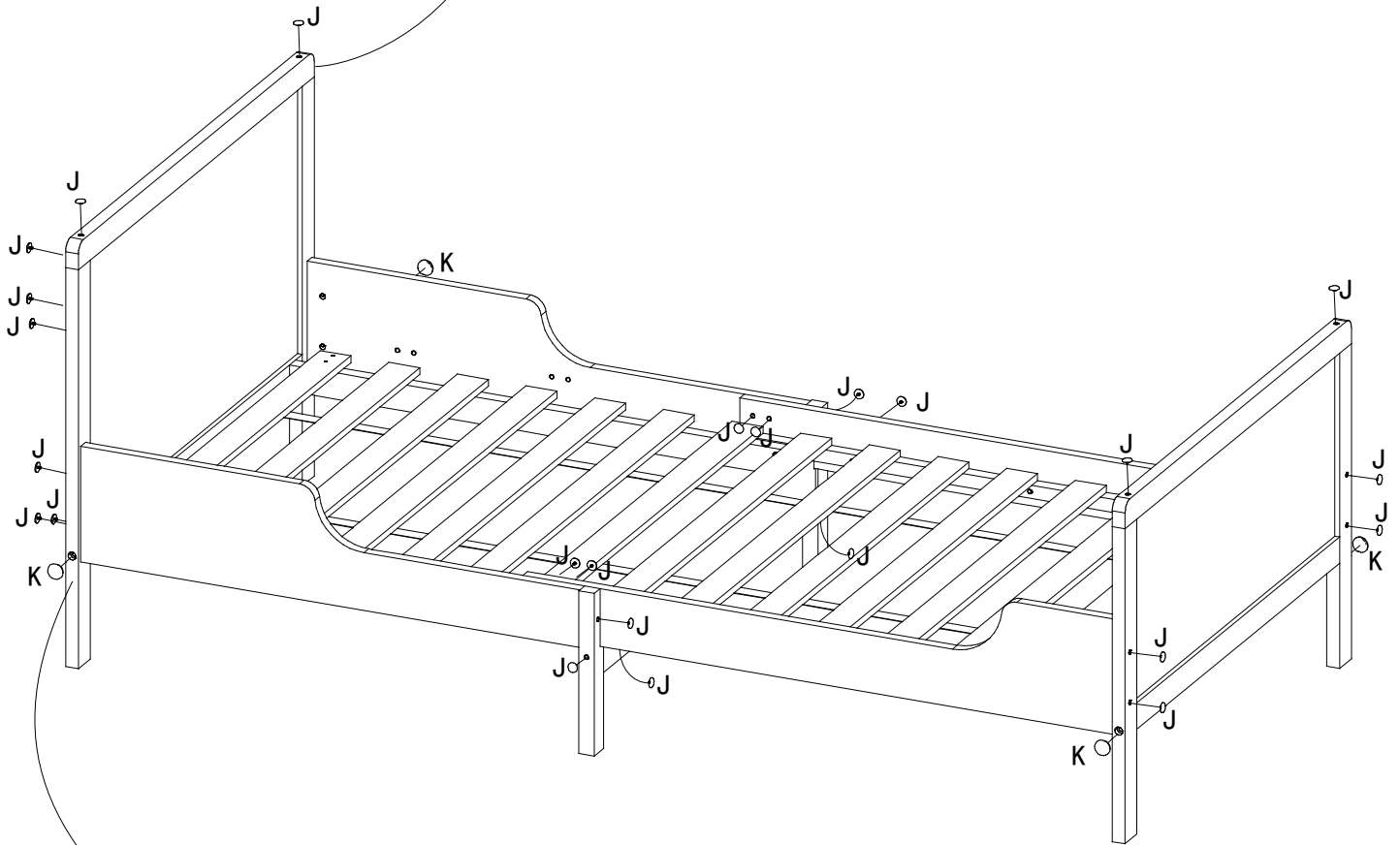
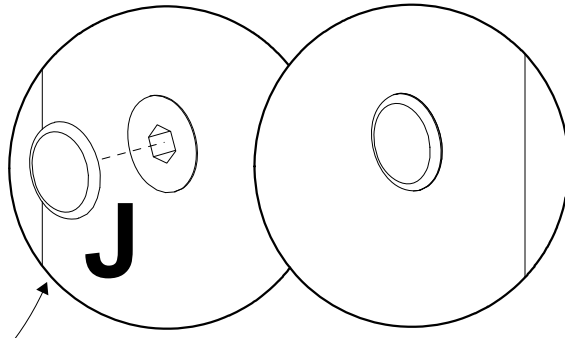
H	15mm	M6x30mm	4
F		M4	1

10



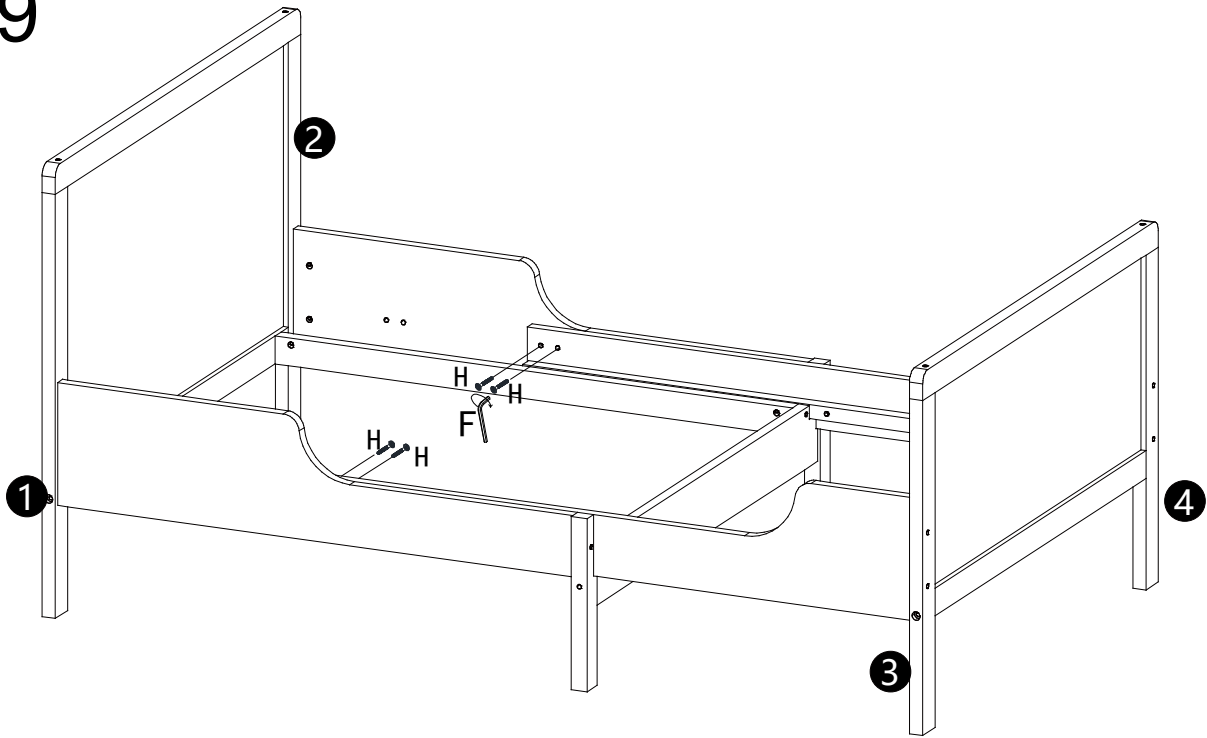
E	8mm	Ø4x30mm	4	G		1
---	-----	---------	---	---	--	---

11



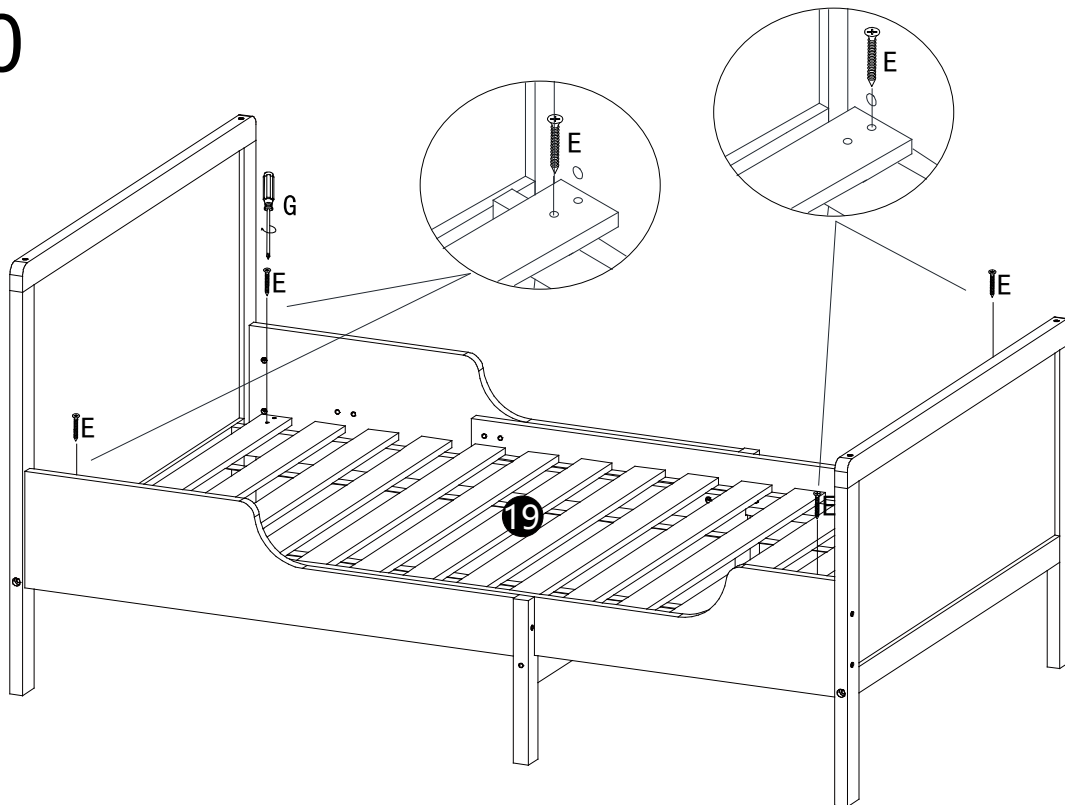
J		24	K		4
---	---	----	---	---	---

09



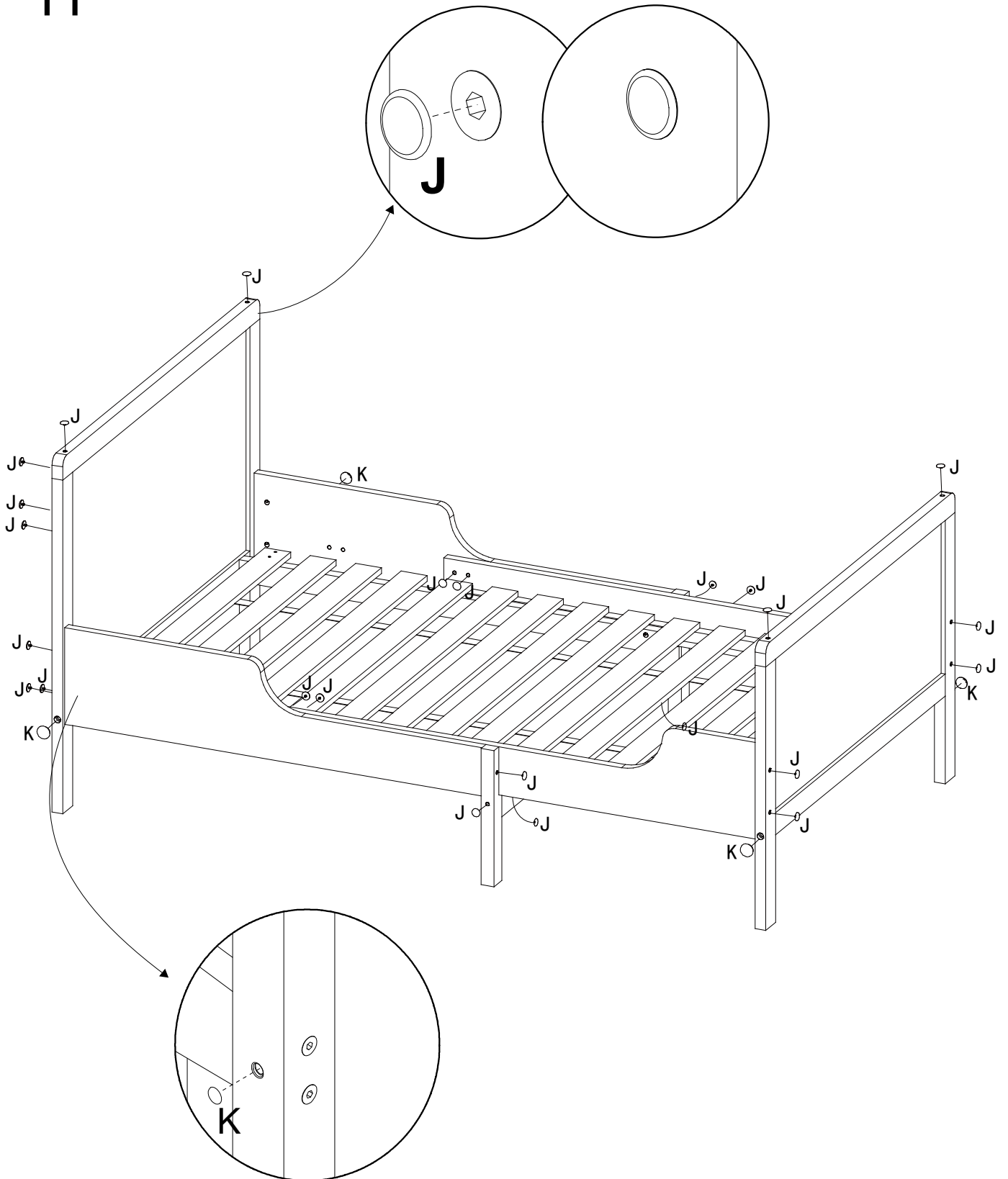
H	15mm	M6x30mm	4
F		M4	1

10



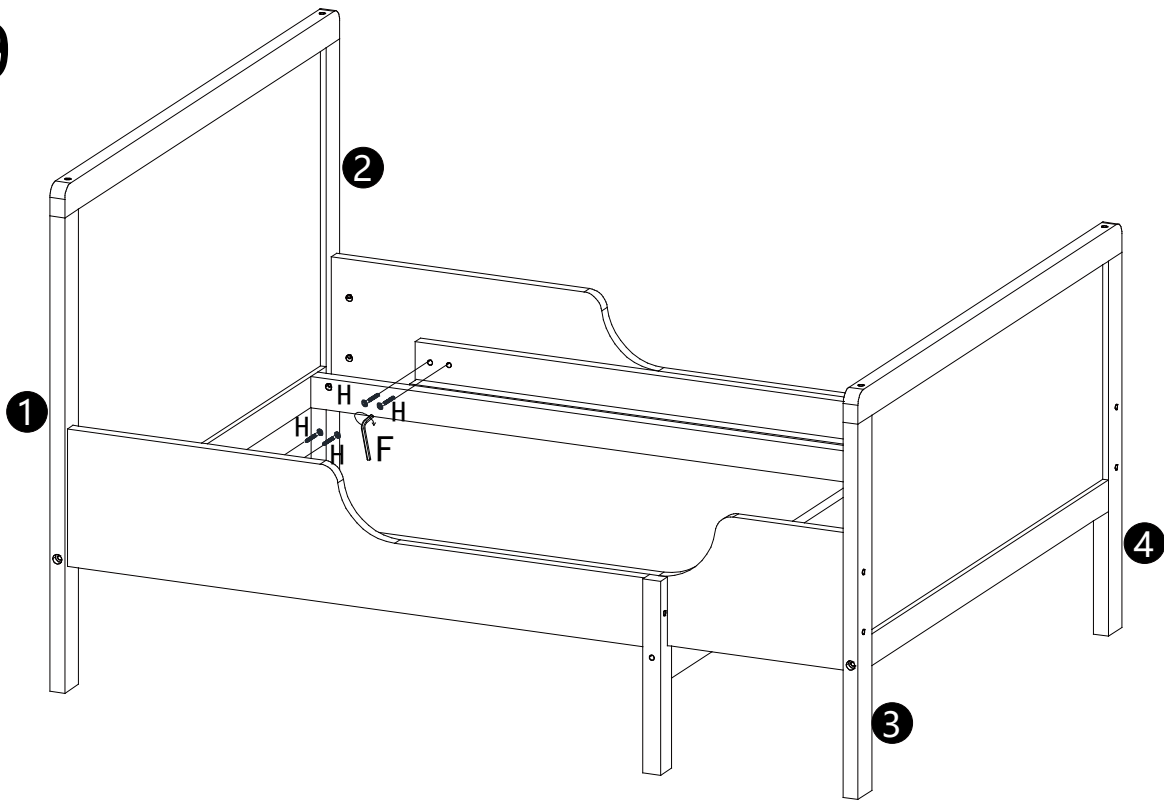
E	8mm	Ø4x30mm	4	G		1
---	-----	---------	---	---	--	---

11



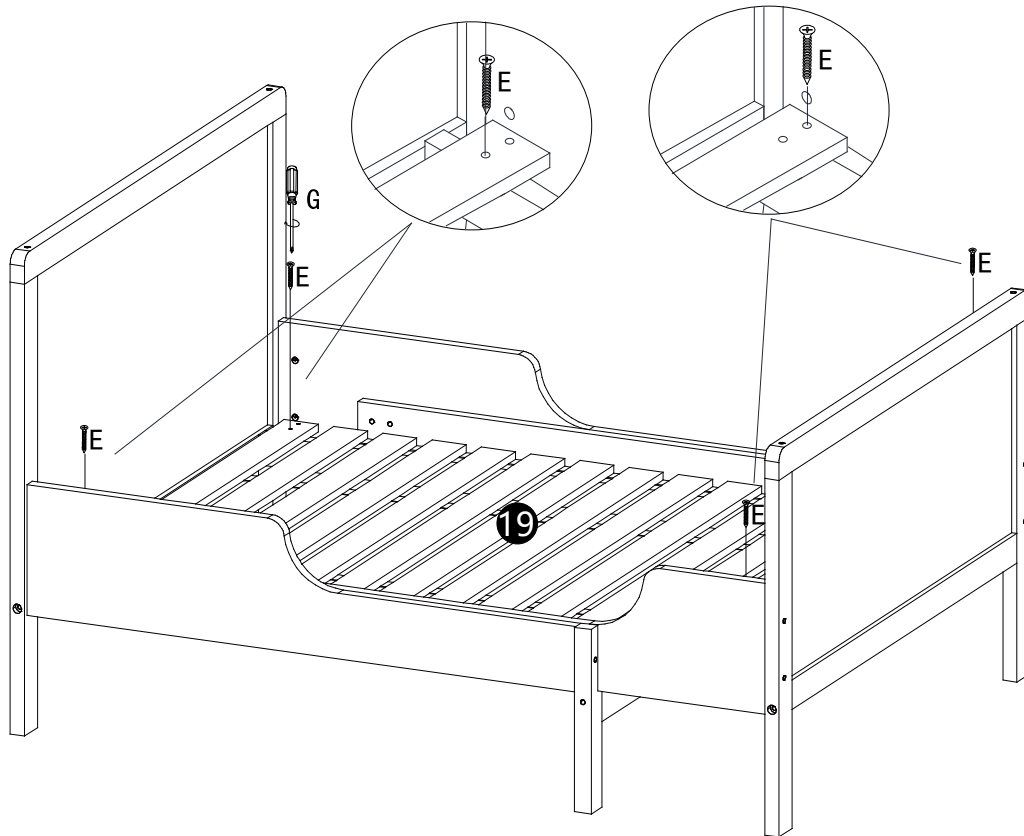
J		24	K		4
---	--	----	---	--	---

09



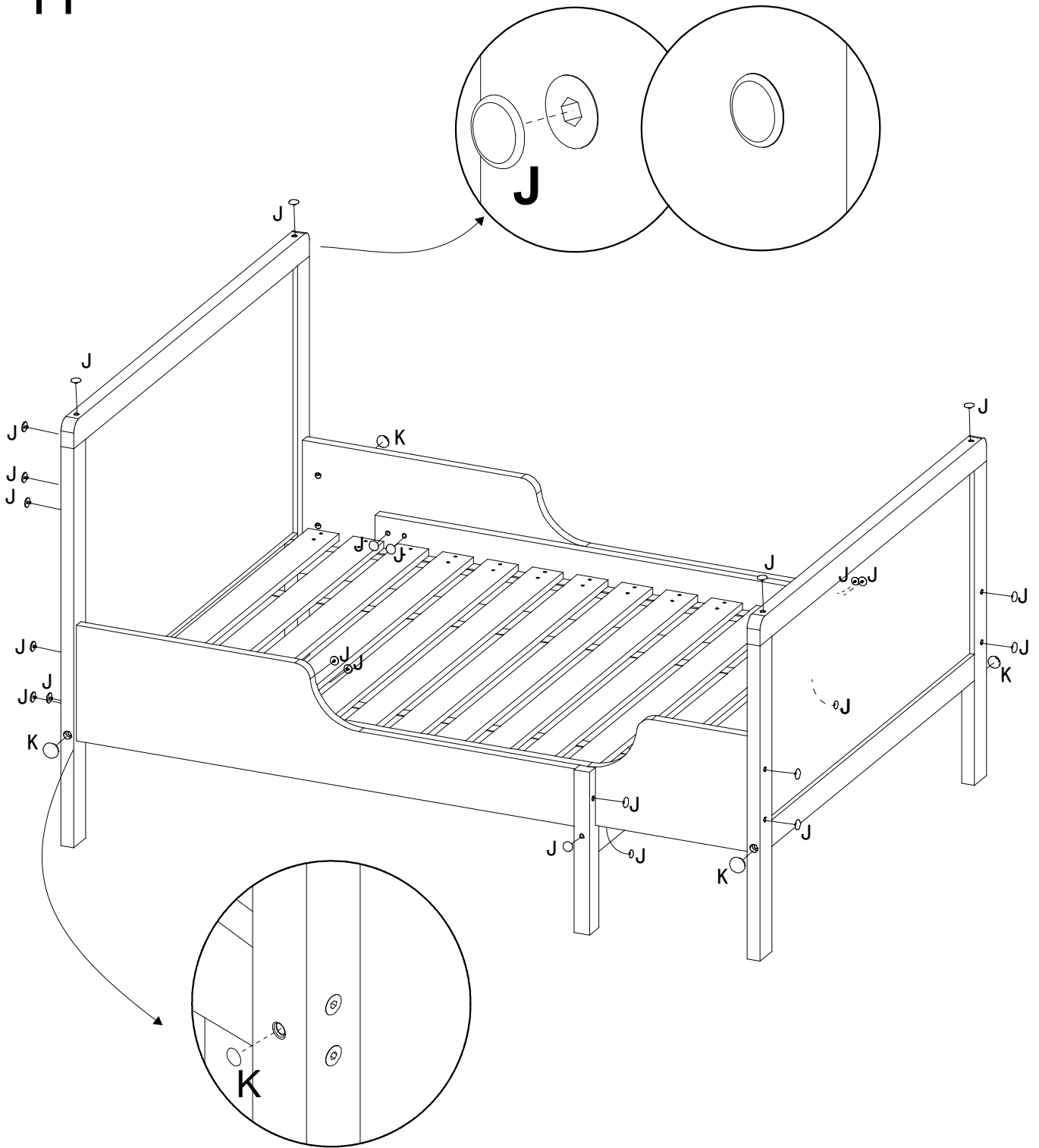
H	15mm	M6x30mm	4
F		M4	1

10



E	8mm	Ø4x30mm	4	G		1
---	-----	---------	---	---	--	---

11



J		24	K		4
---	--	----	---	--	---