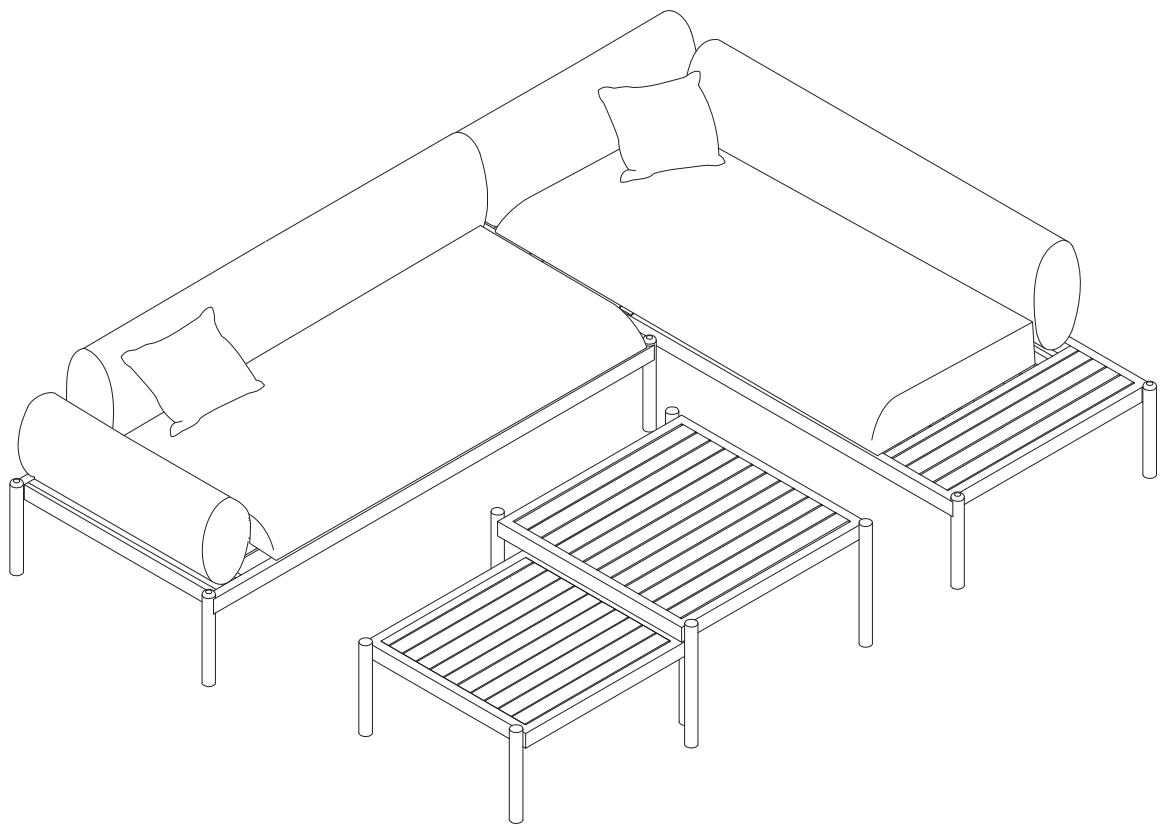
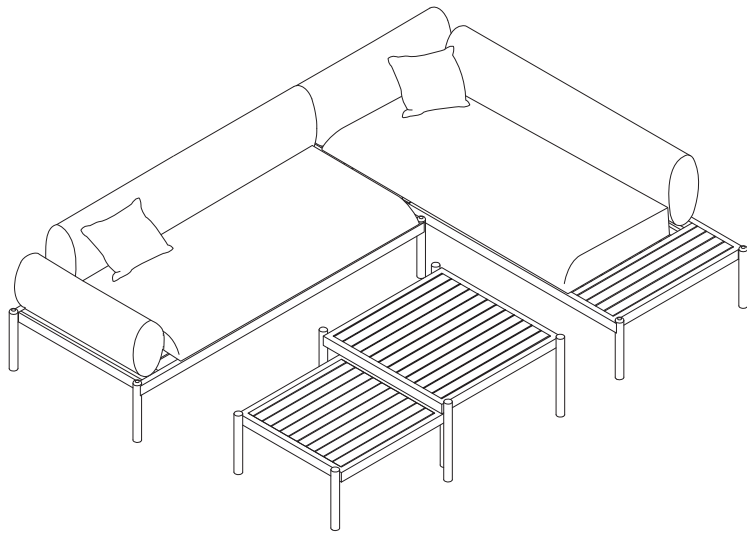
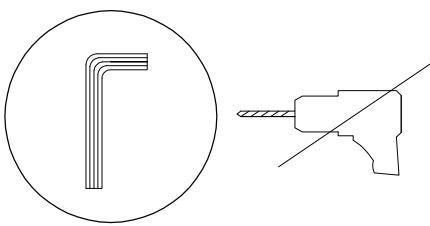

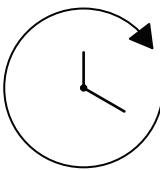
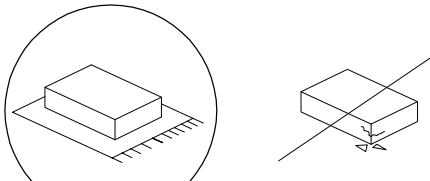

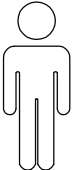


# RASIGLIA

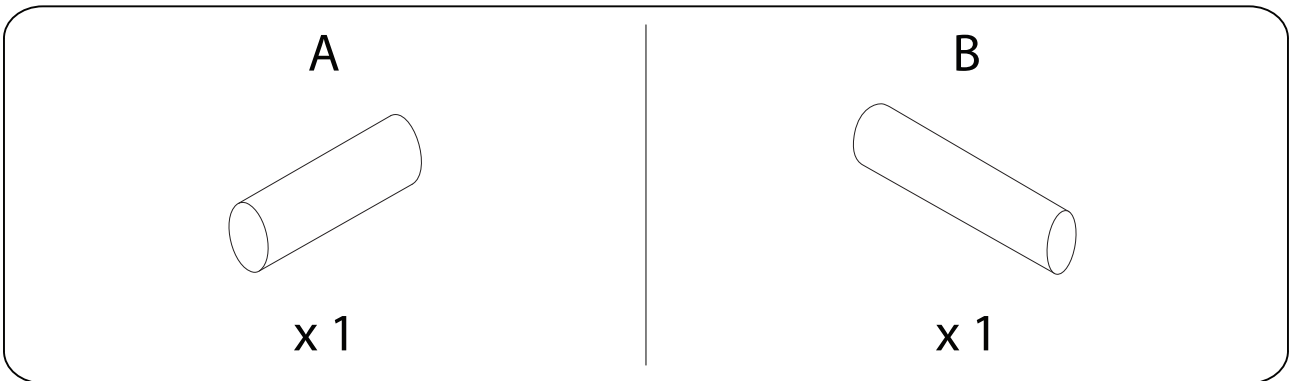
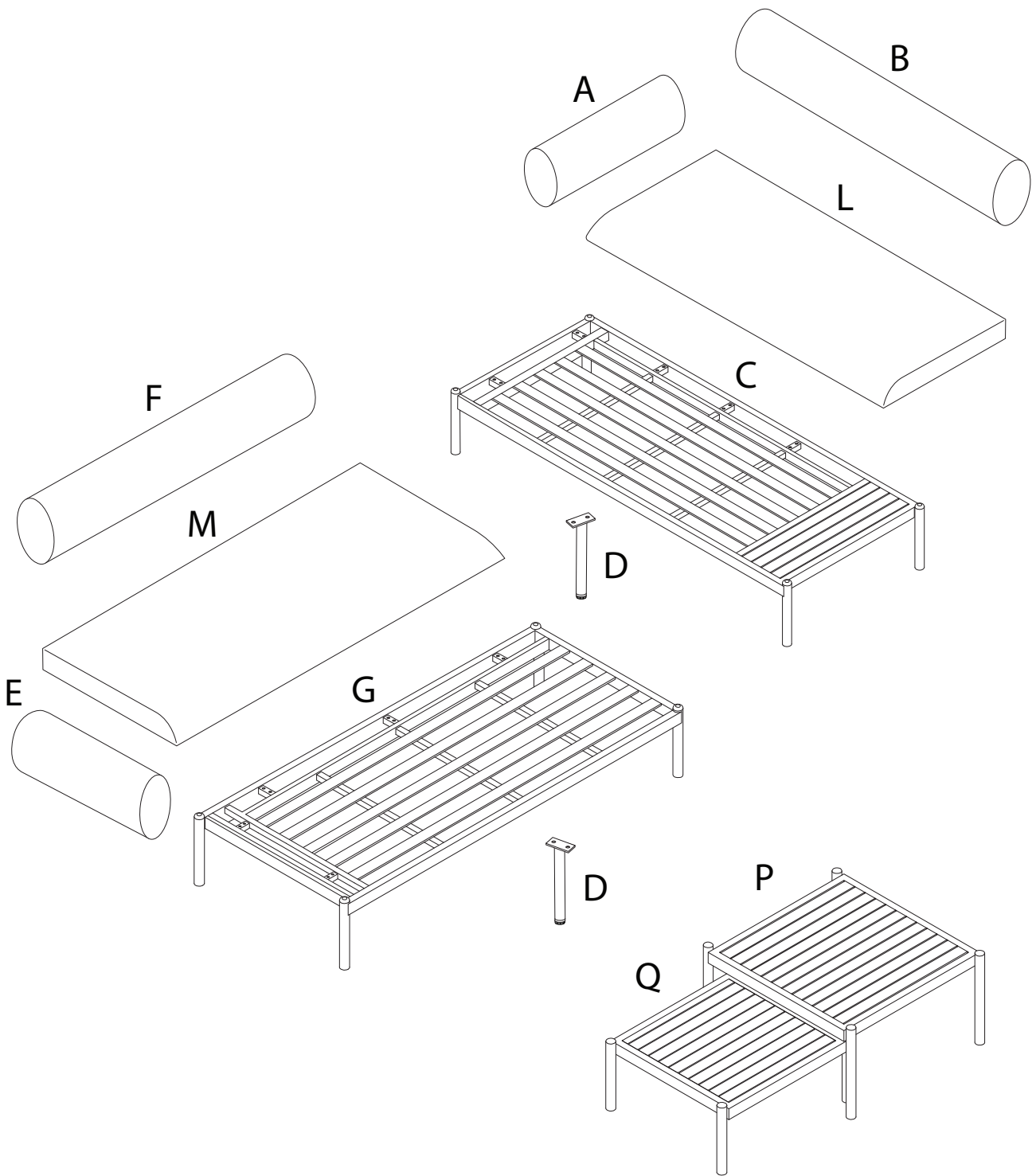




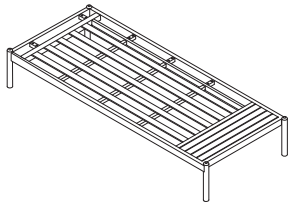
		
		

30'

2

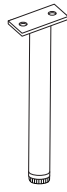


C



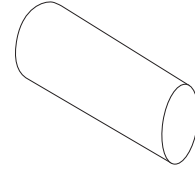
x 1

D



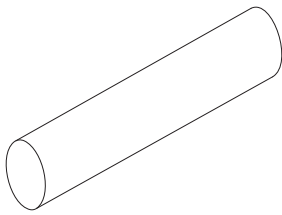
x 2

E



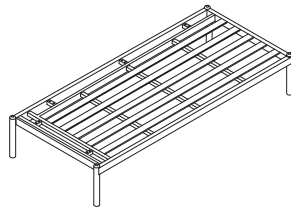
x 1

F



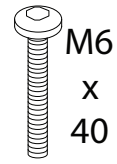
x 1

G



x 1

H



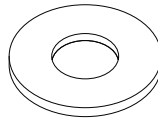
x 20

I



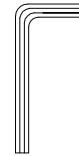
x 4

J



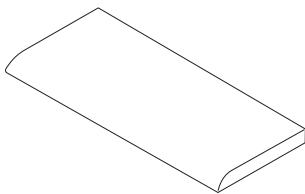
x 24

K



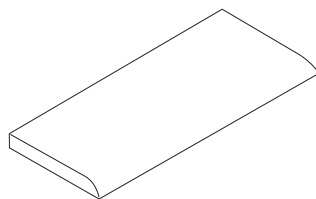
x 1

L



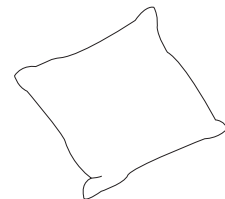
x 1

M



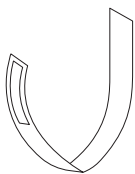
x 1

N



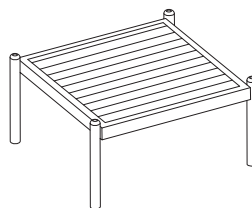
x 2

O



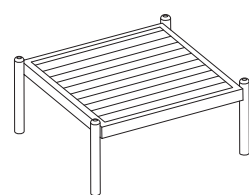
x 2

P



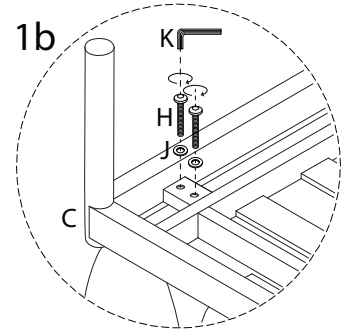
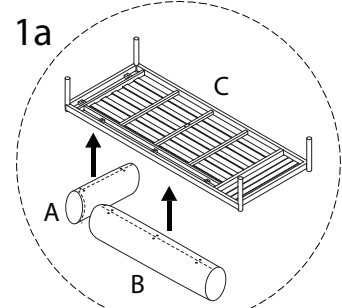
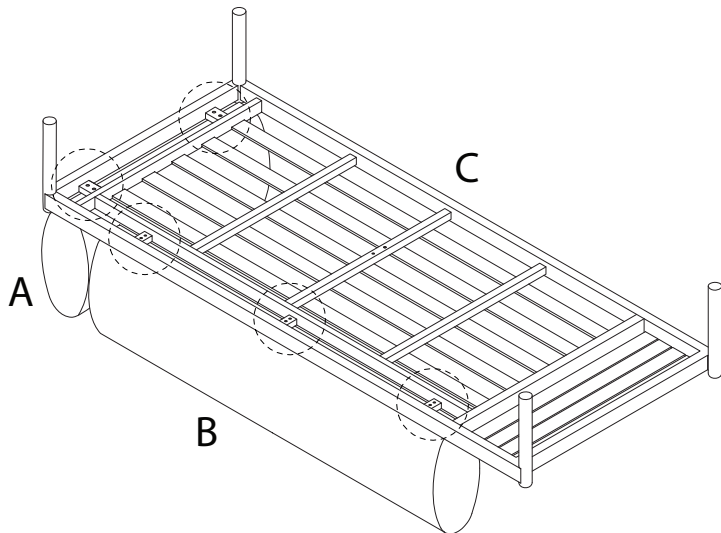
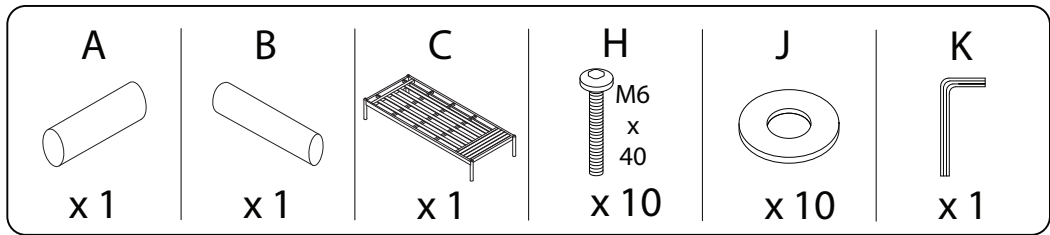
x 1

Q

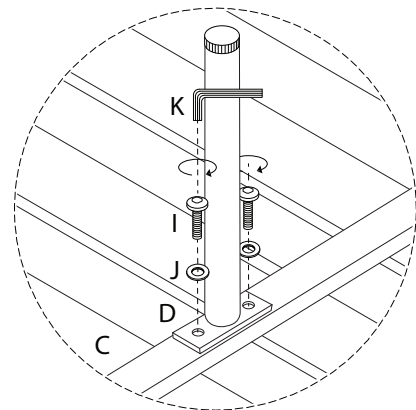
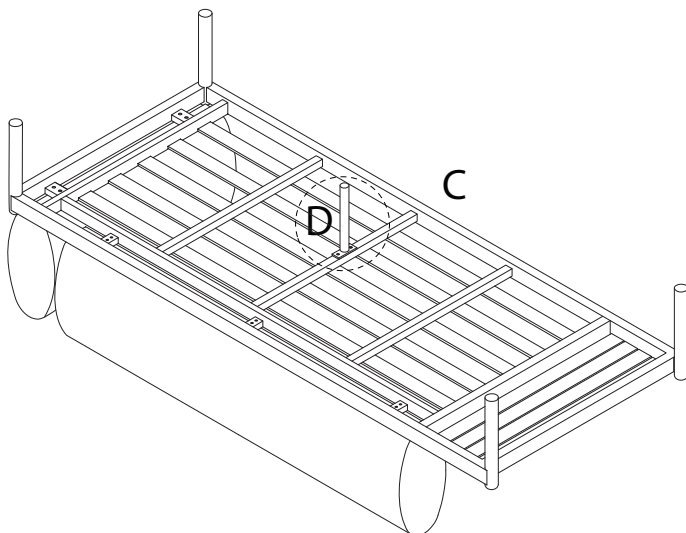


x 1

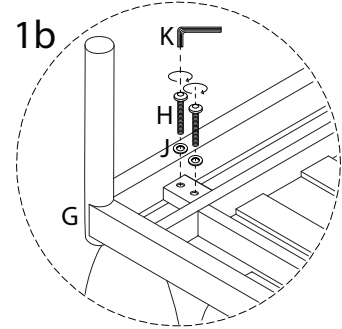
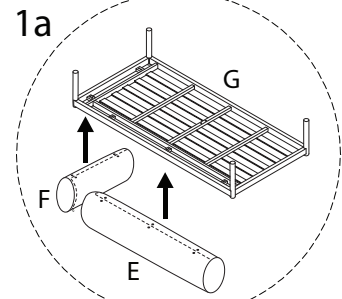
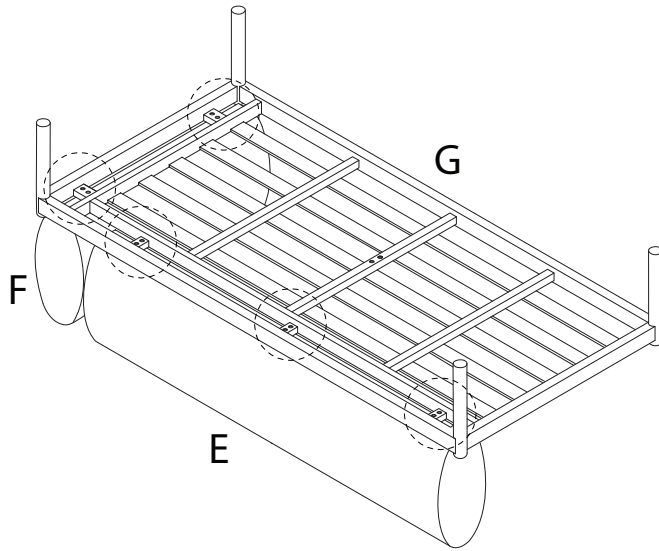
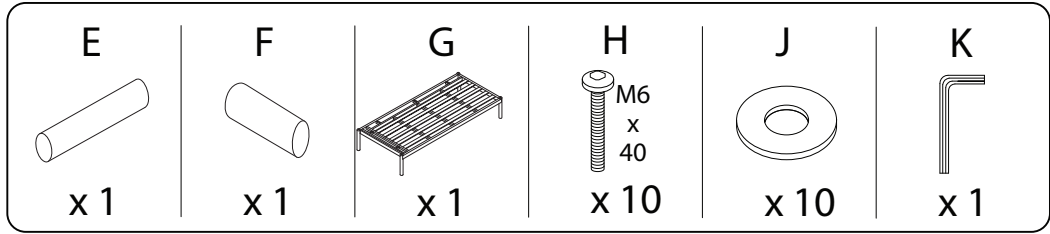
1



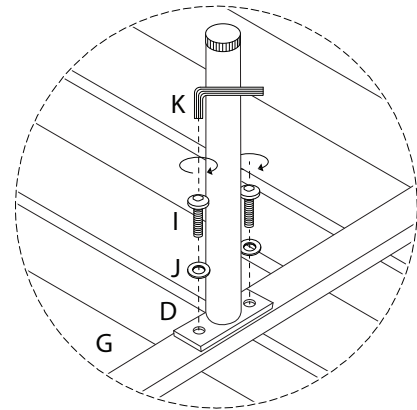
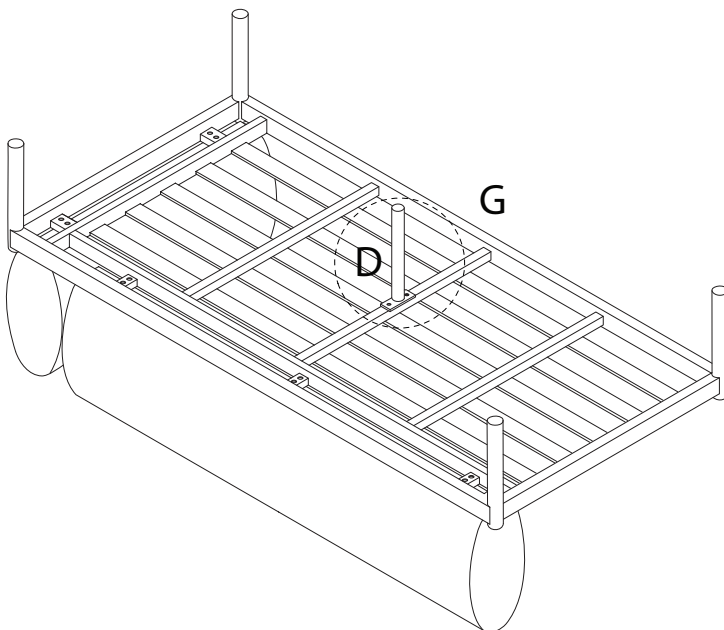
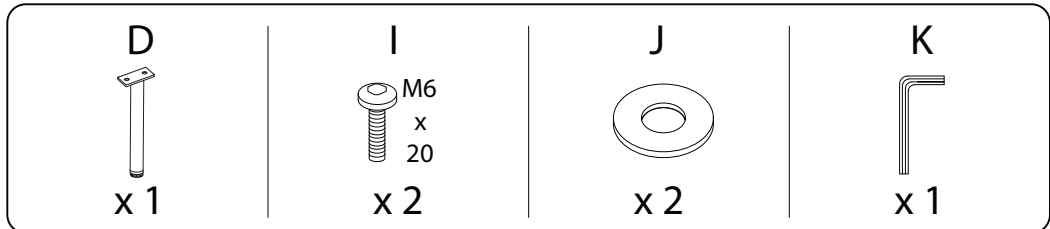
2



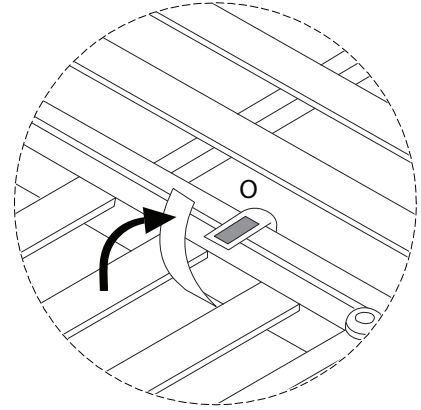
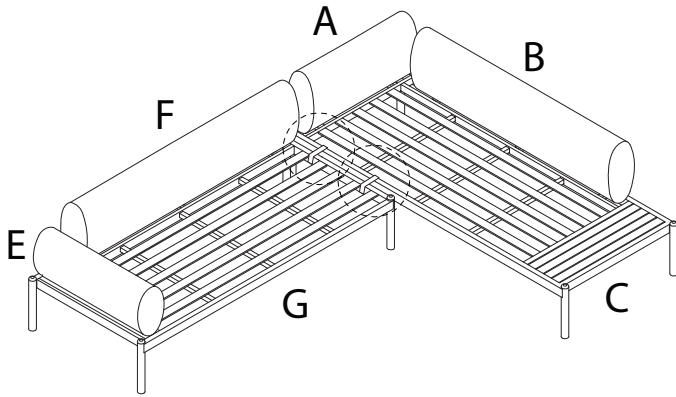
3



4



5



6

