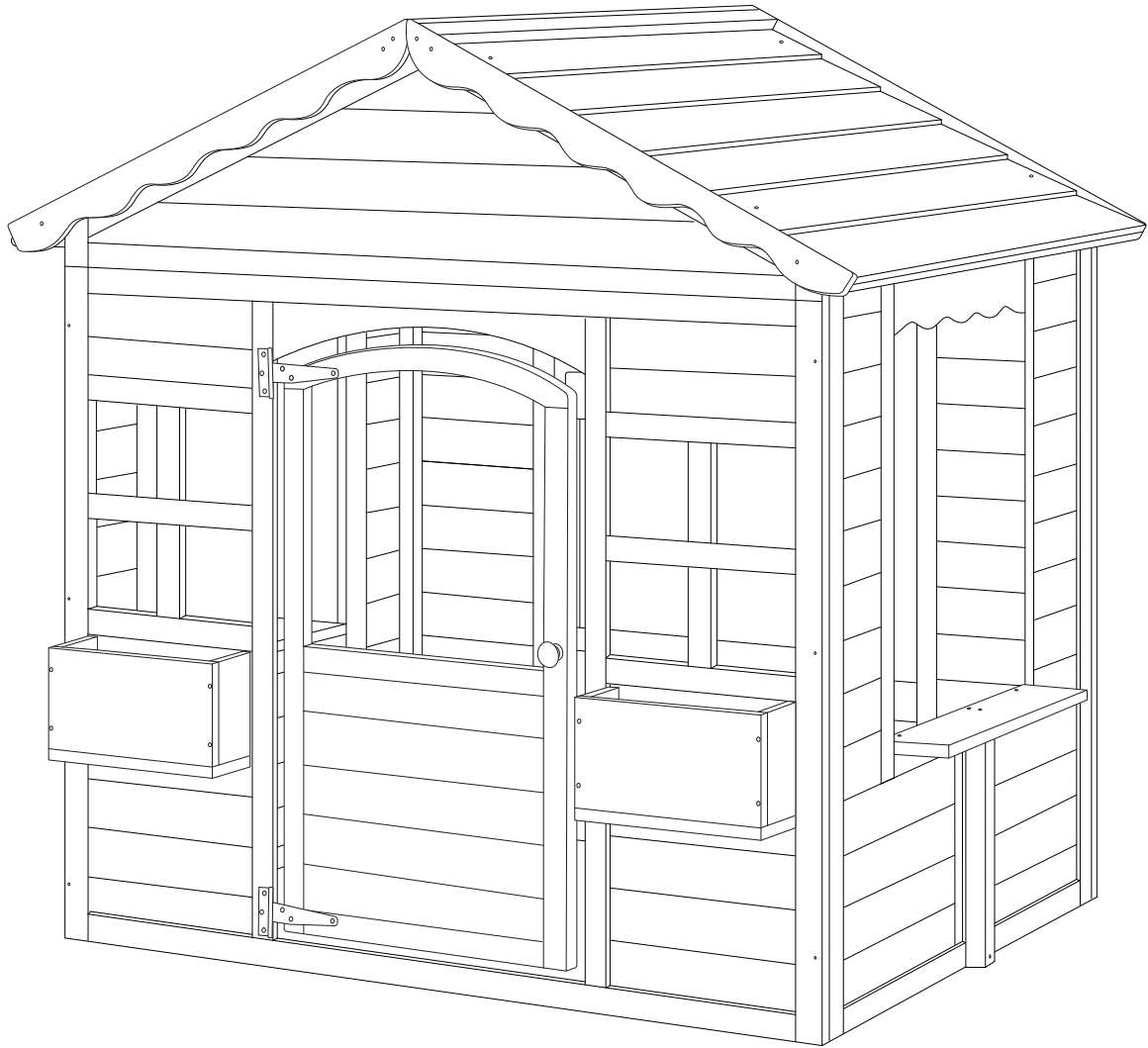
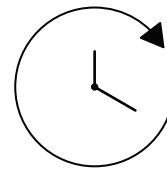
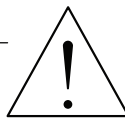
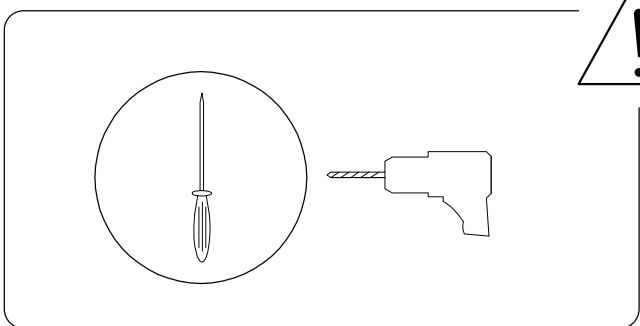
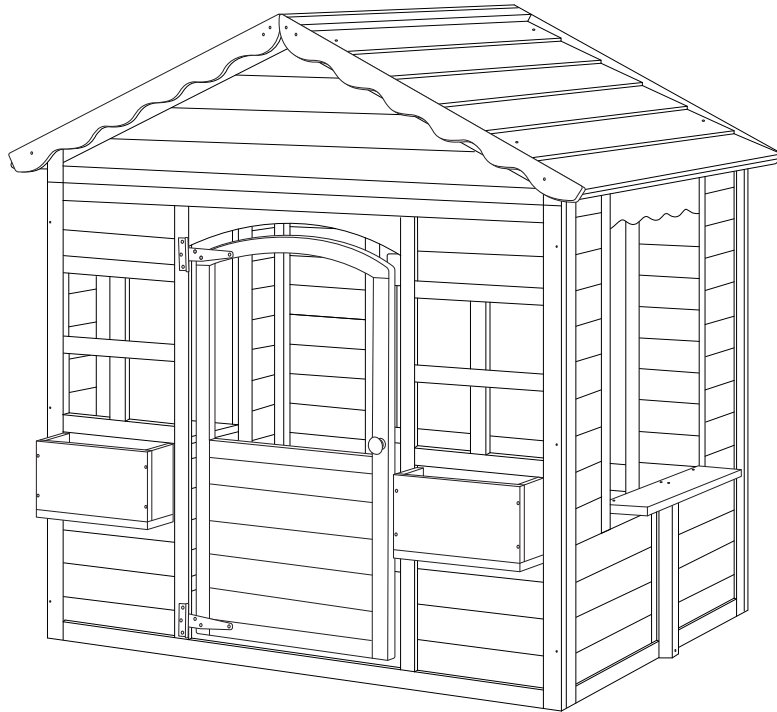
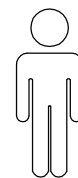
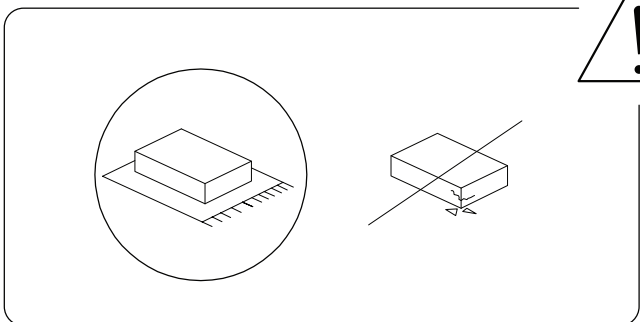


NIKAIA





90'



2

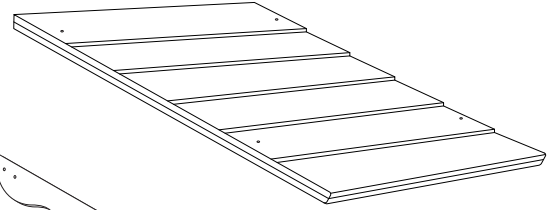
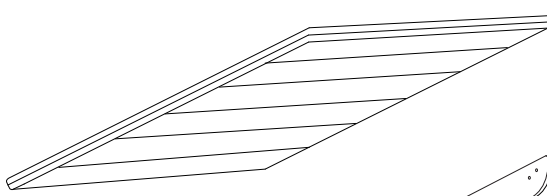
9A



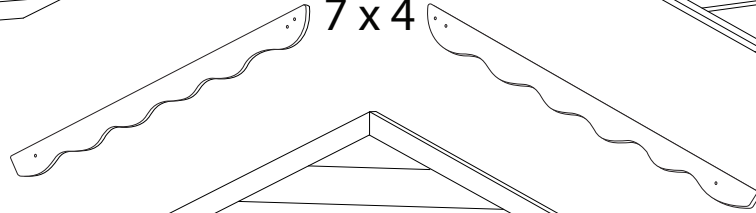
9B



6 x 2



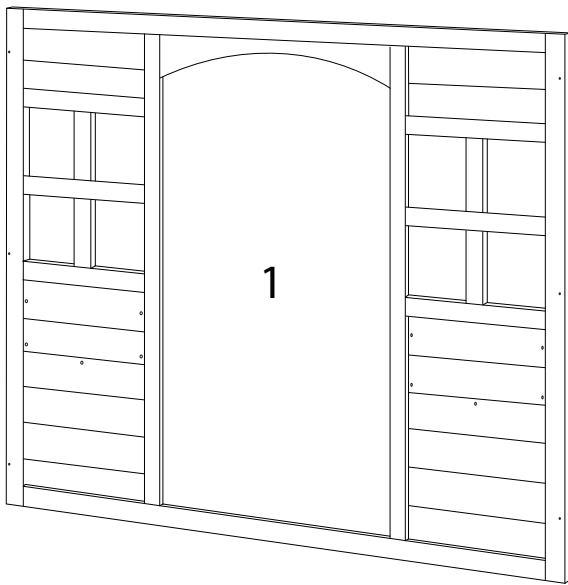
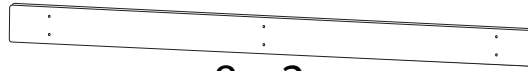
7 x 4



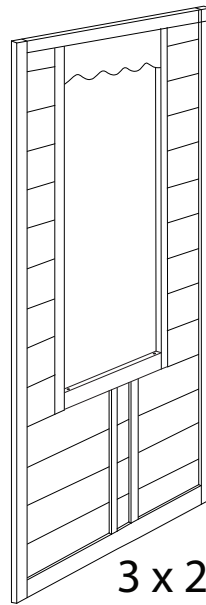
4 x 2



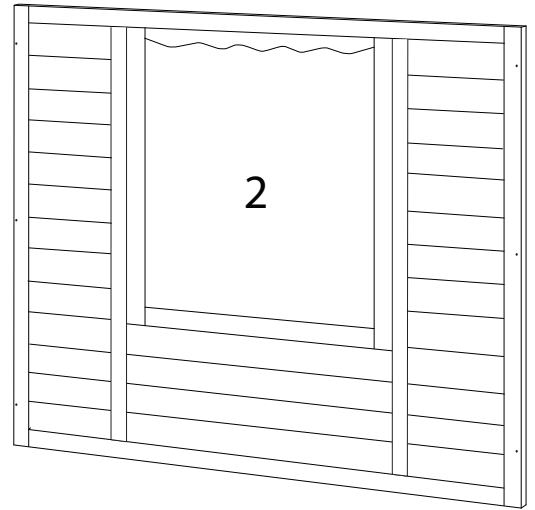
8 x 2



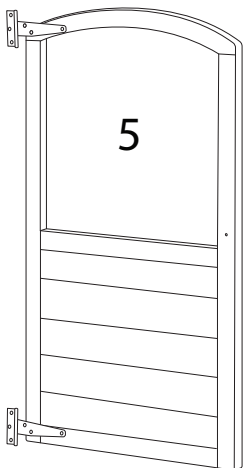
1



3 x 2



2

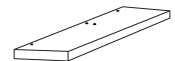


5

15



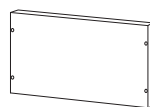
10 x 2



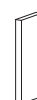
13 x 2



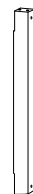
12 x 2



13 x 2

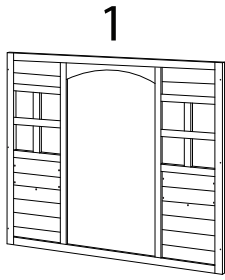


11 x 2

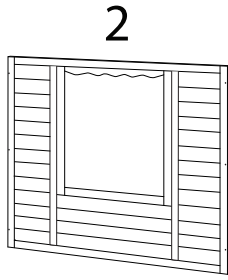


14 x 2

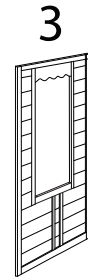




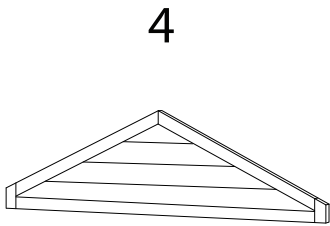
x 1



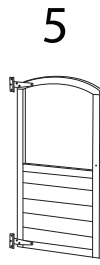
x 1



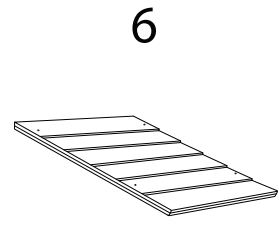
x 2



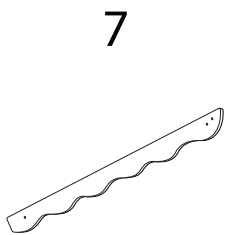
x 2



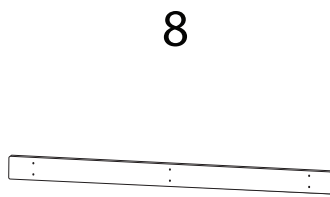
x 1



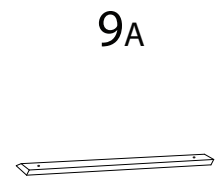
x 2



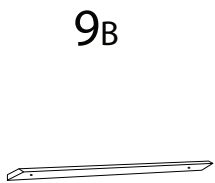
x 4



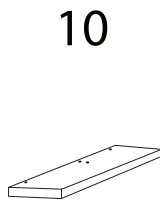
x 2



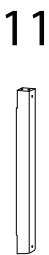
x 1



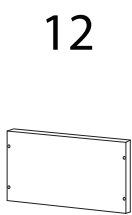
x 1



x 2



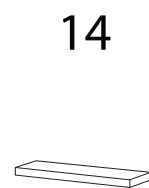
x 2



x 2

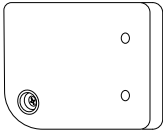


x 4



x 2

15



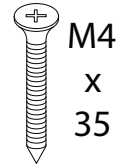
x 1

16



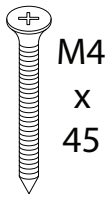
x 2

A



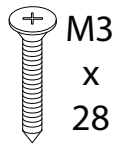
x 13

B



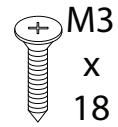
x 37

C



x 41

D



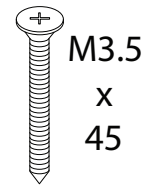
x 7

E₁



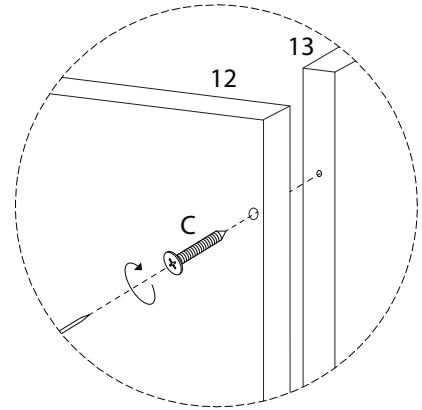
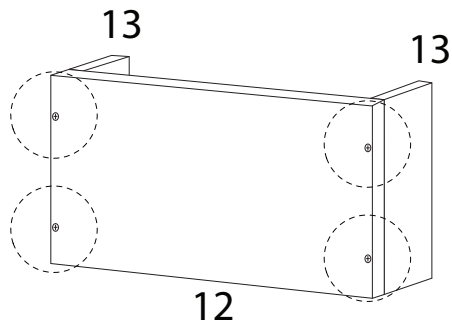
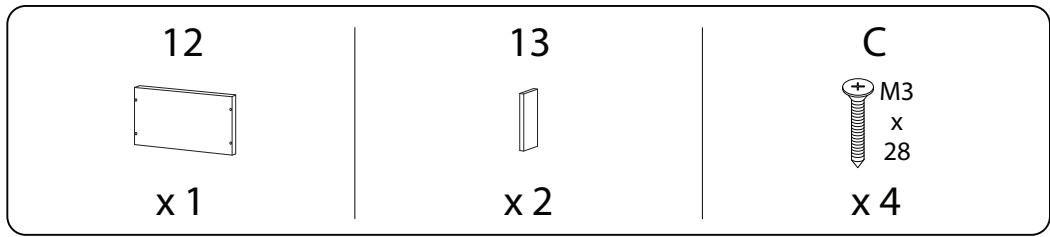
x 1

E₂

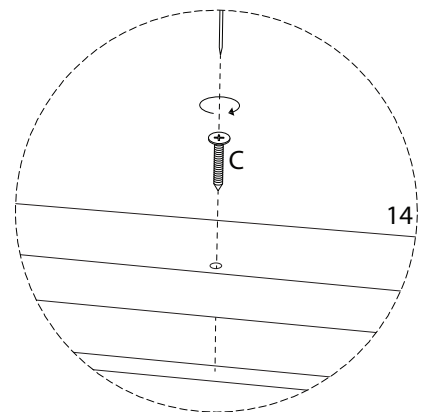
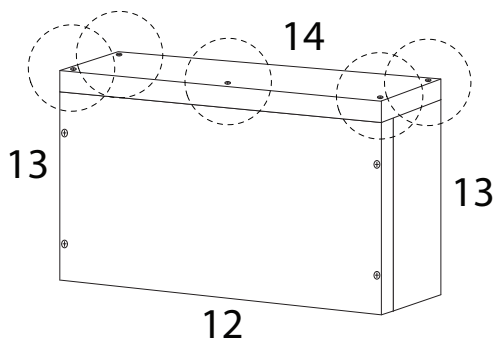
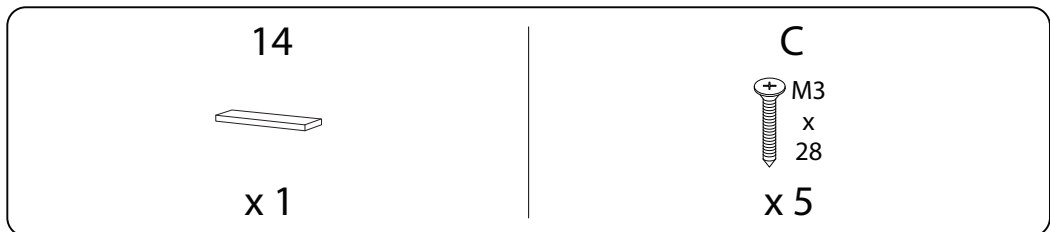


x 1

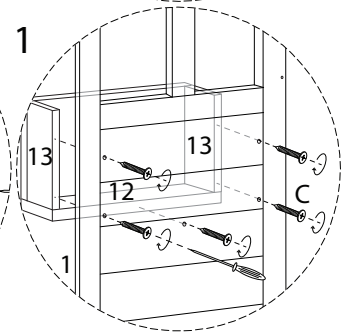
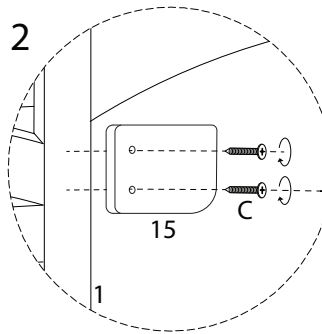
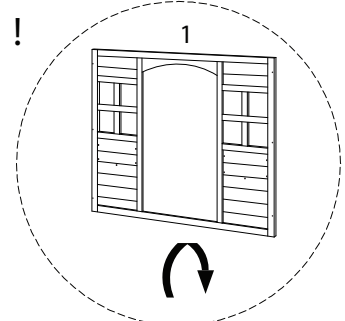
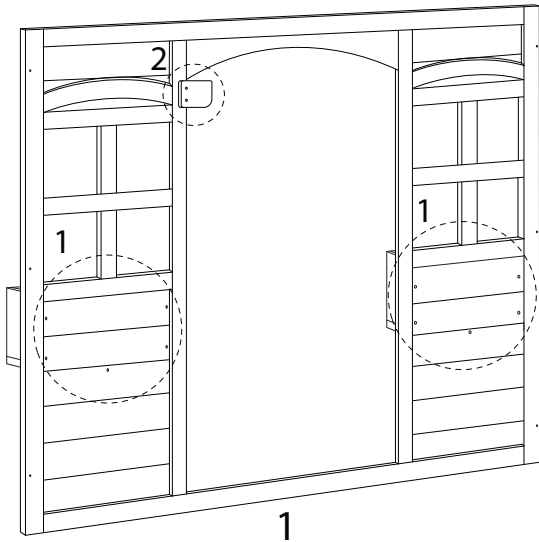
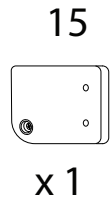
1 x 2



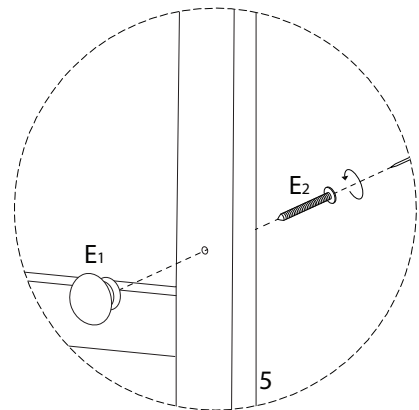
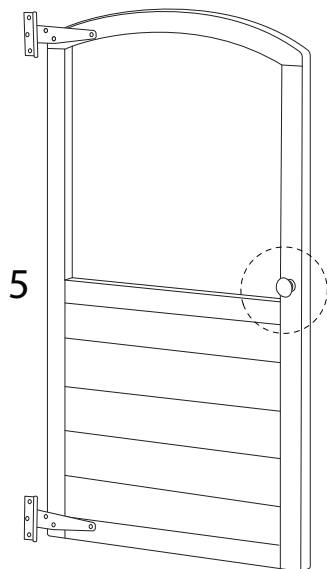
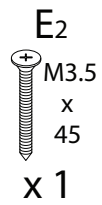
2 x 2



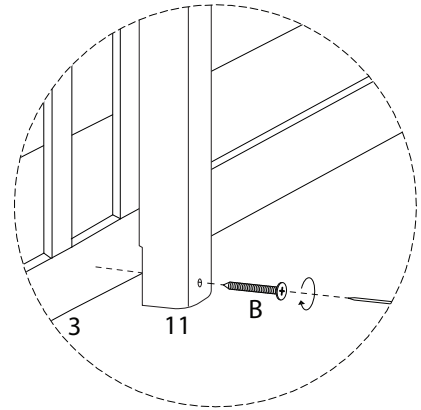
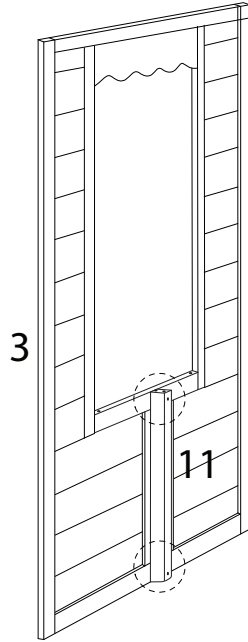
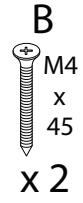
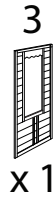
3



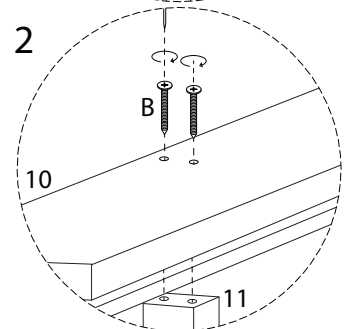
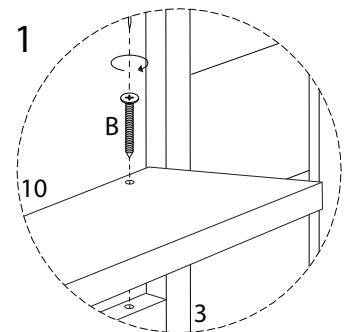
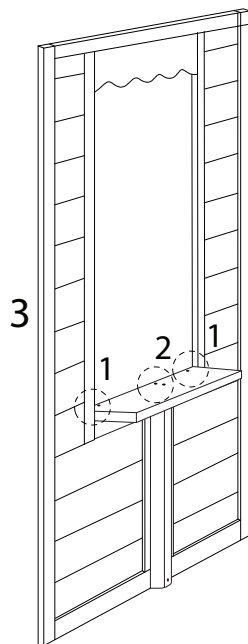
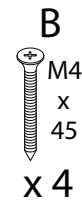
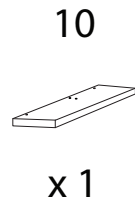
4



5 x 2

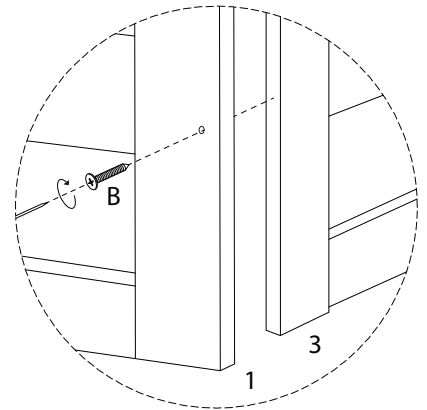
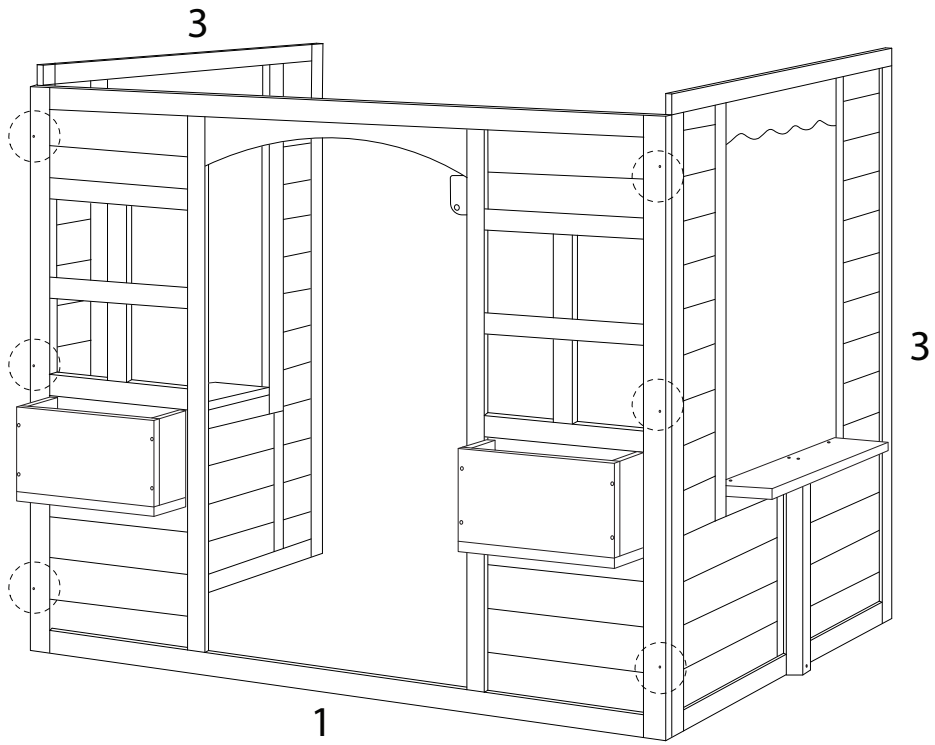


6 x 2

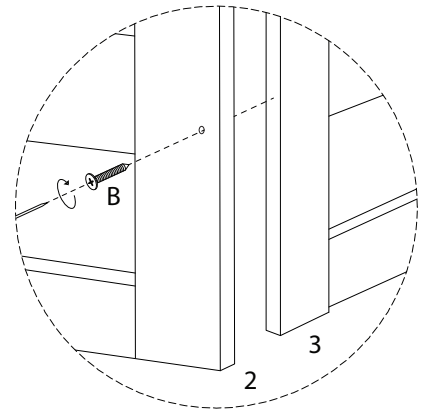
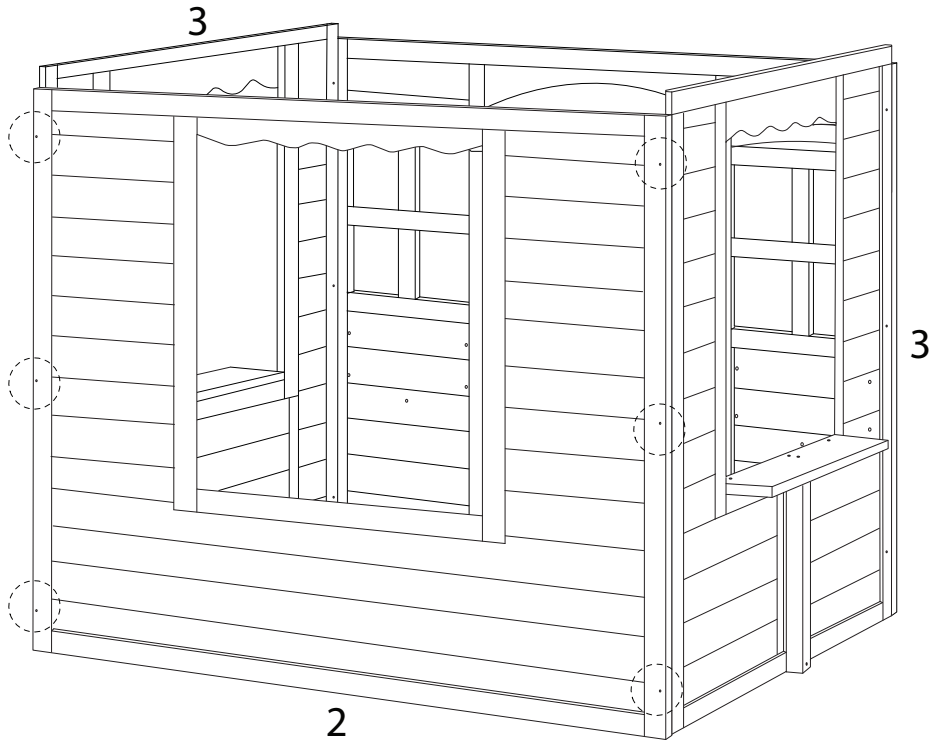
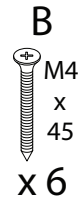
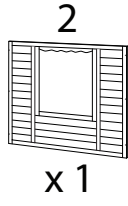


7

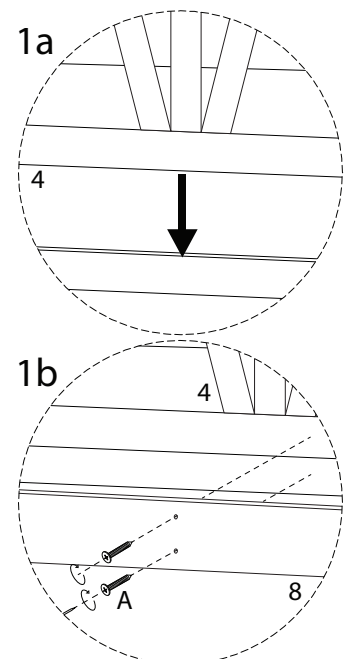
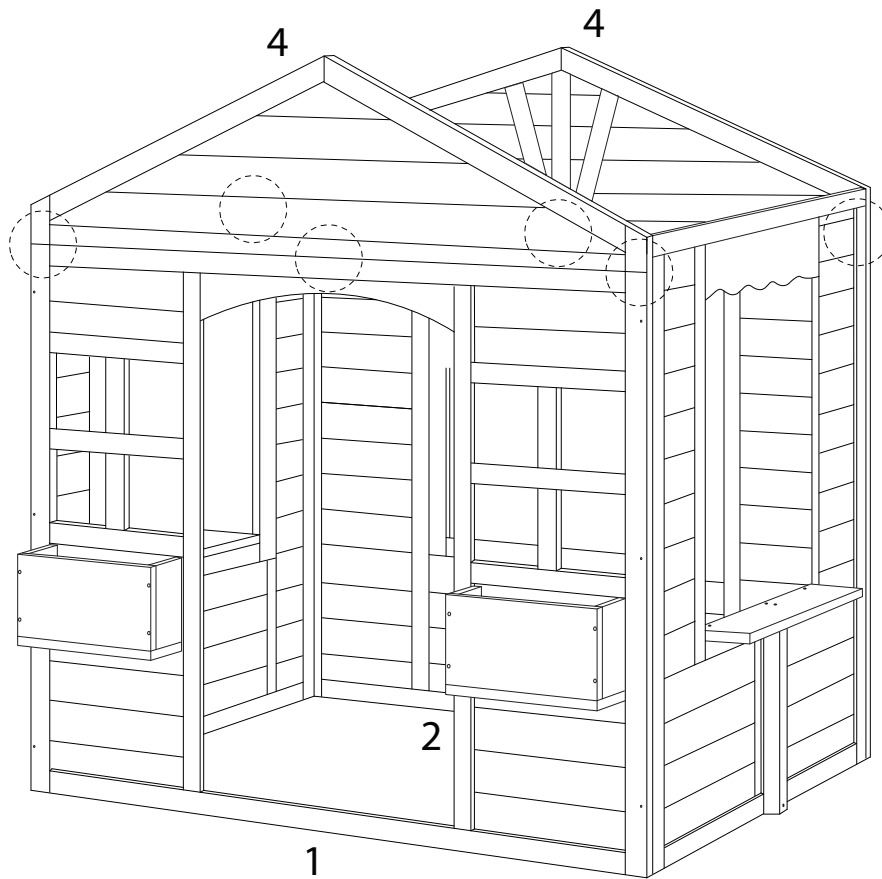
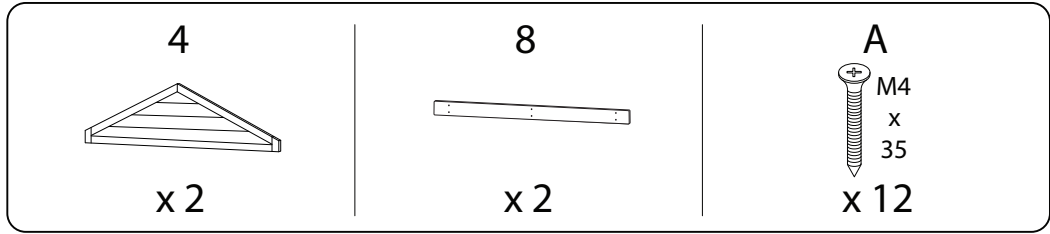
B
M4
x
45
x 6



8



9



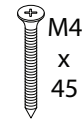
10

6

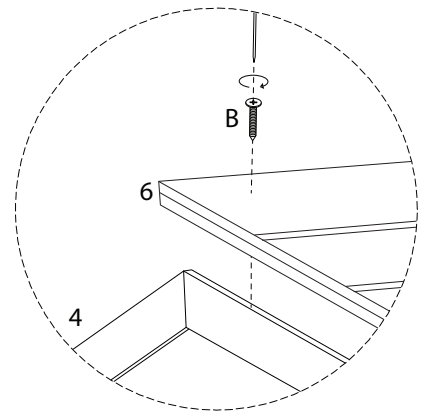
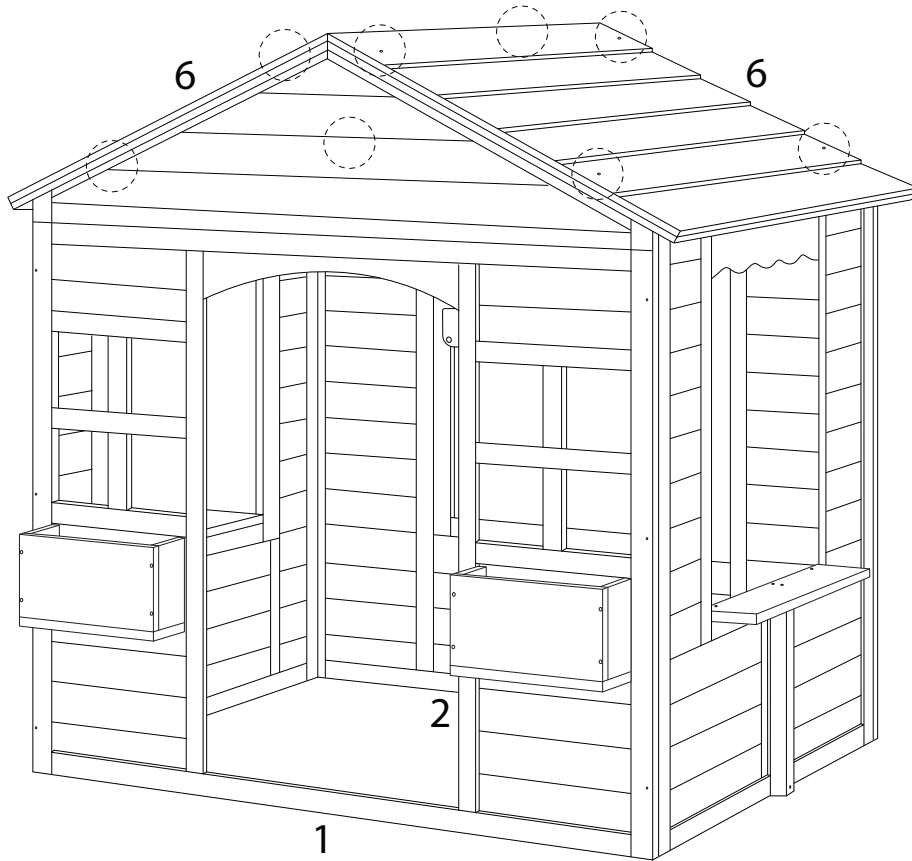


x 2

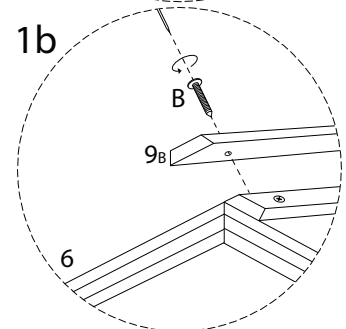
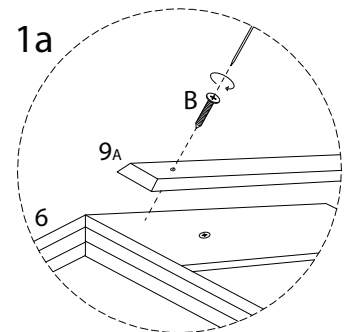
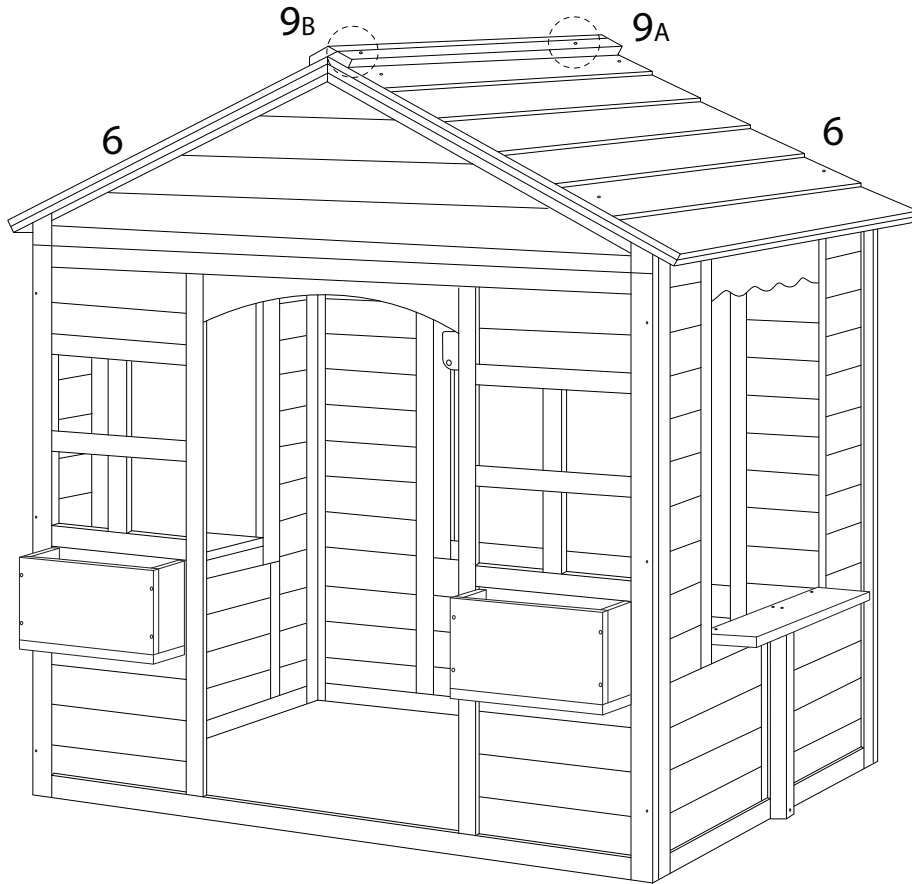
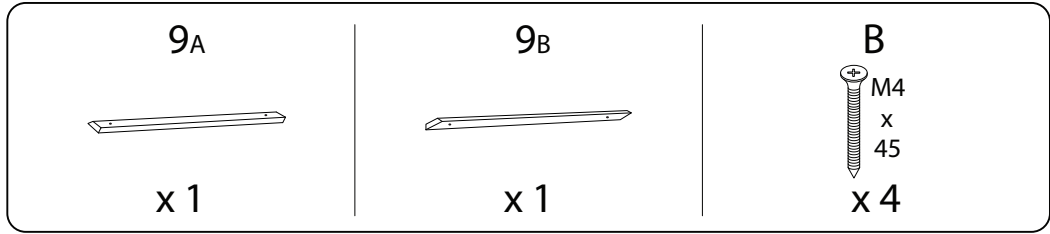
B



x 8

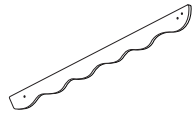


11



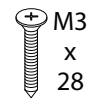
12

7

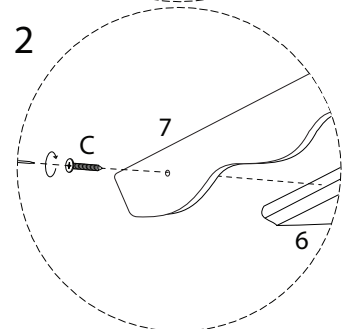
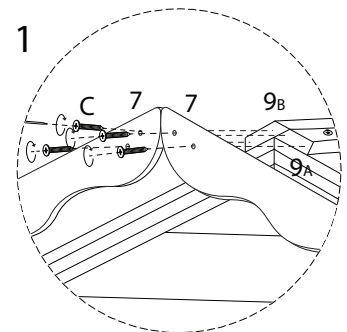
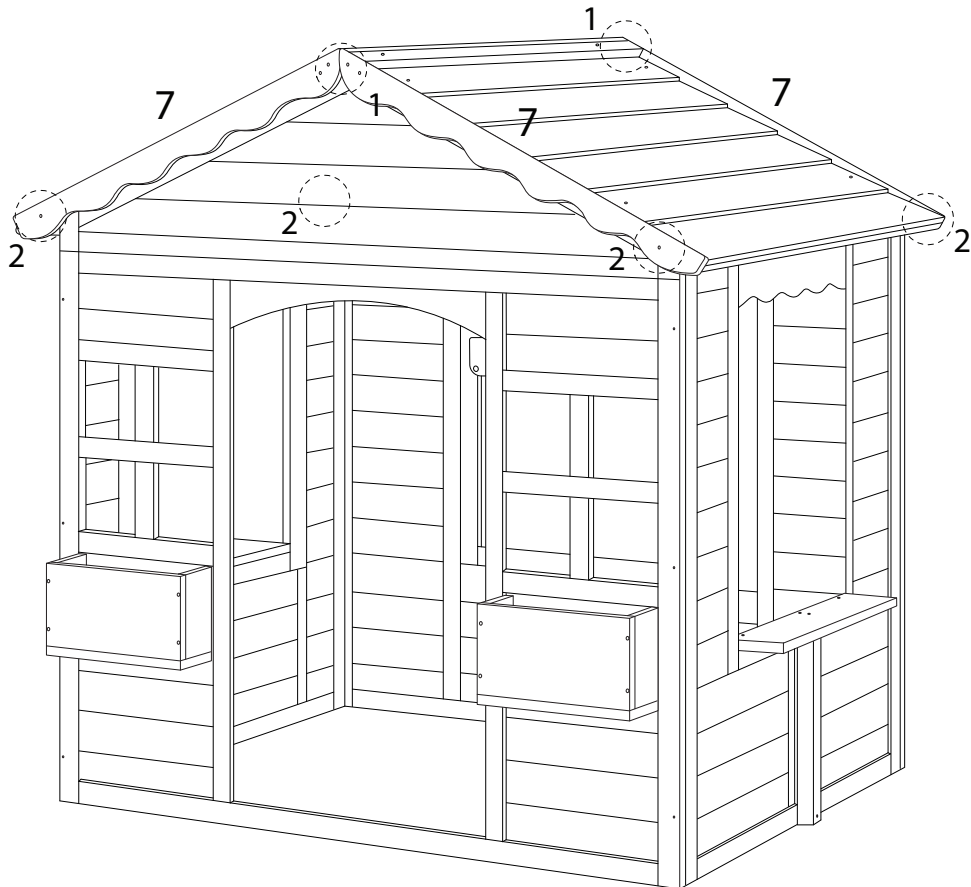


x 4

C



x 12



13

16



x 2

D



x 6

