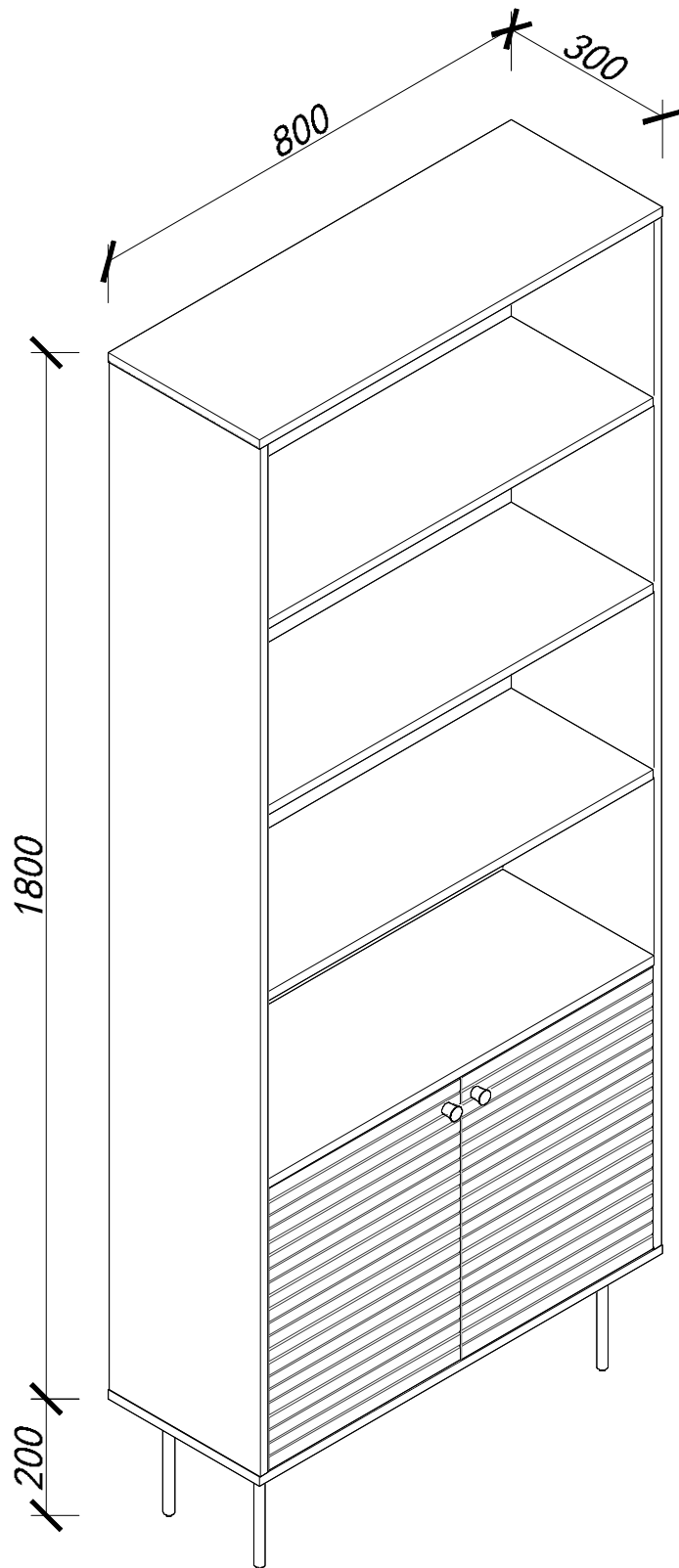
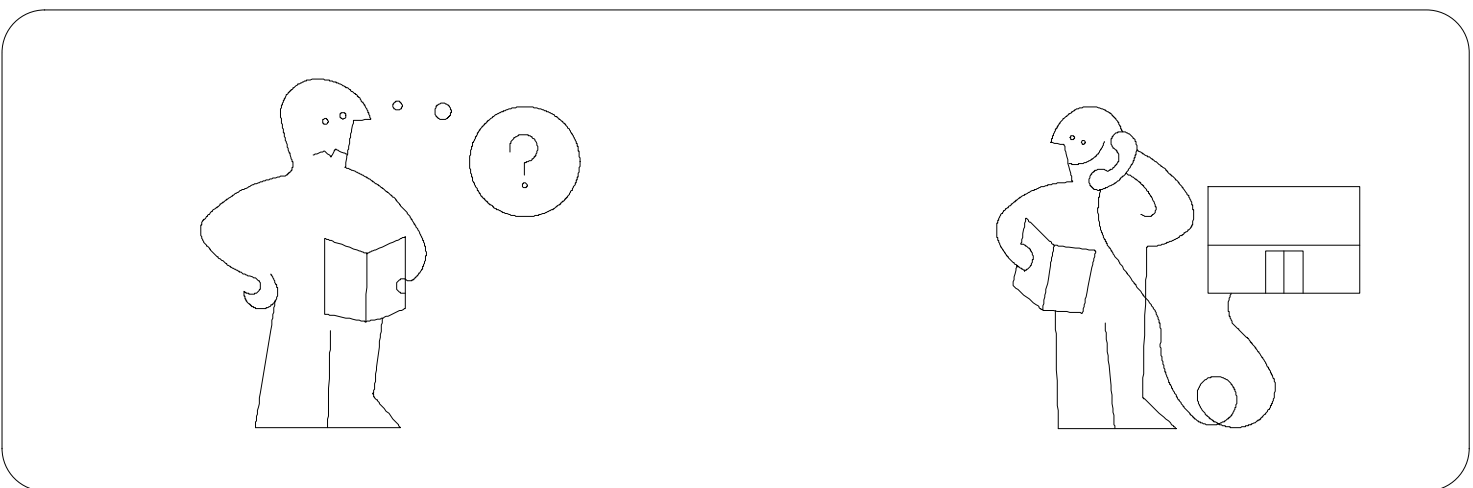
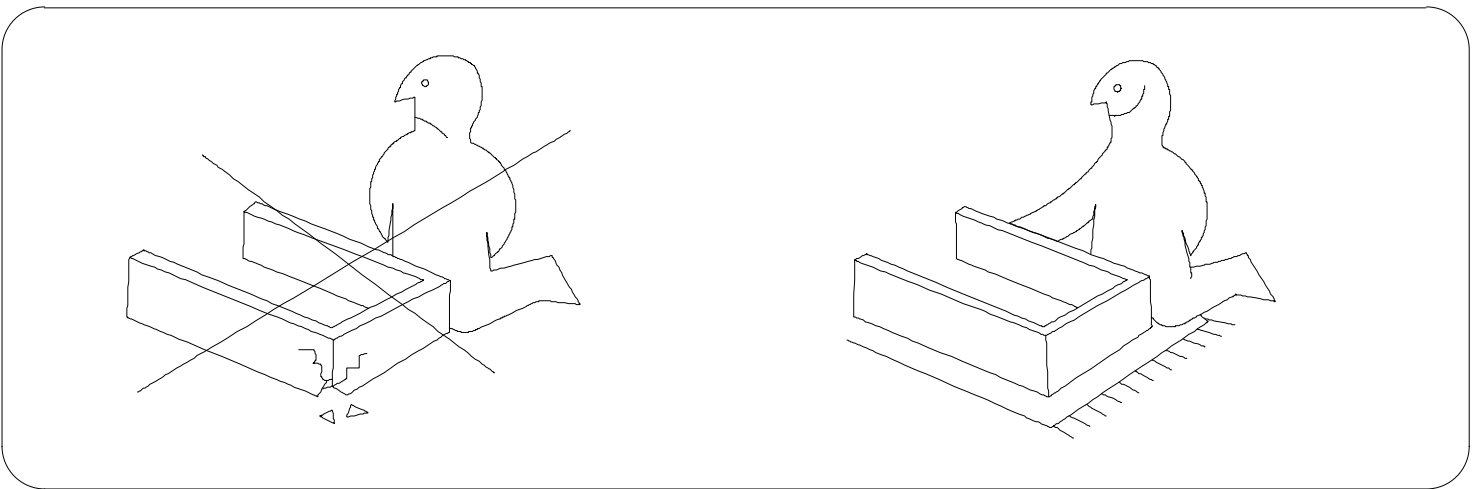
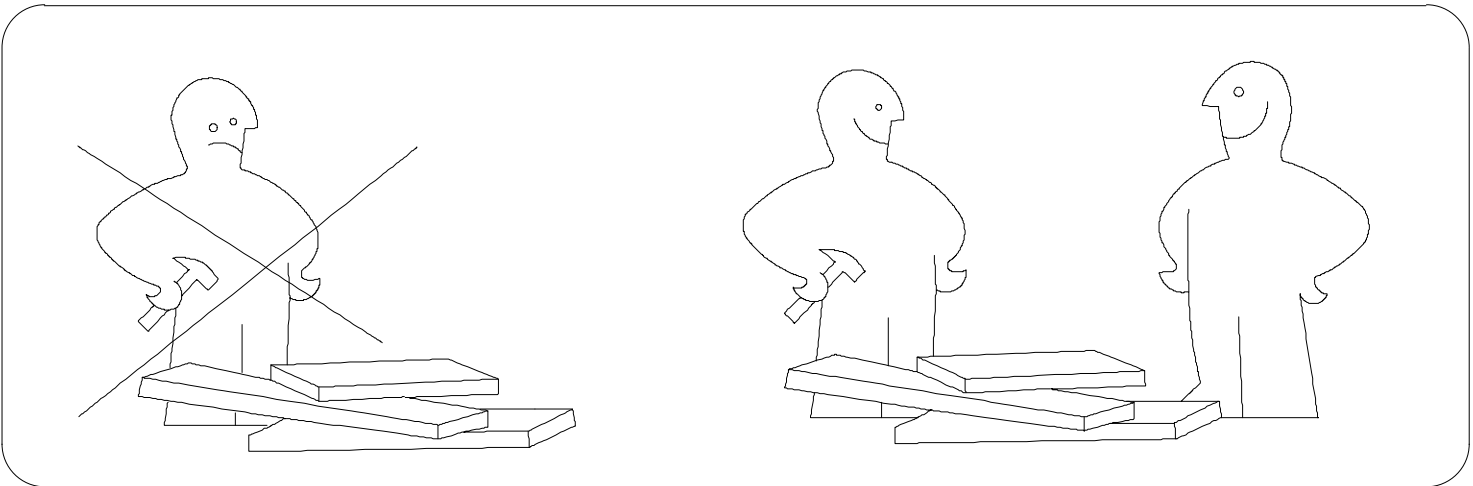
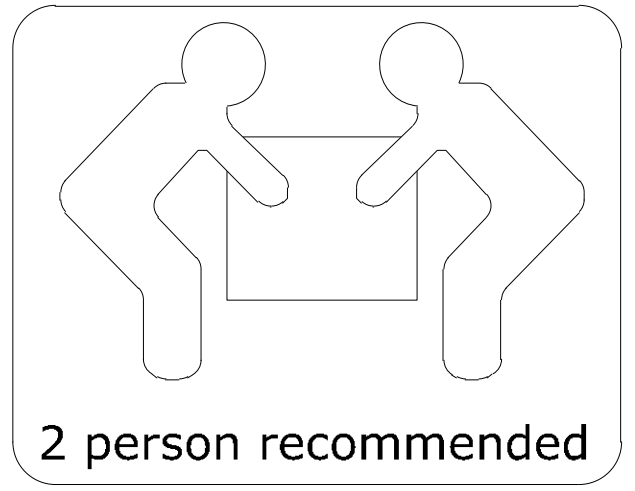
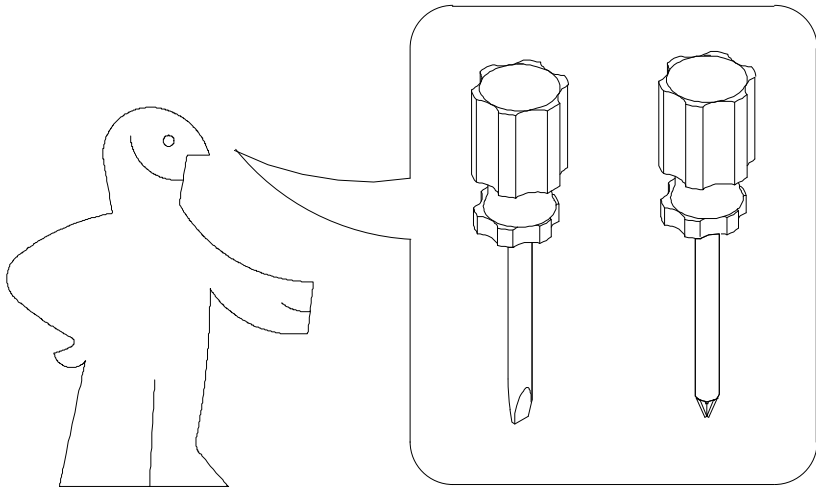


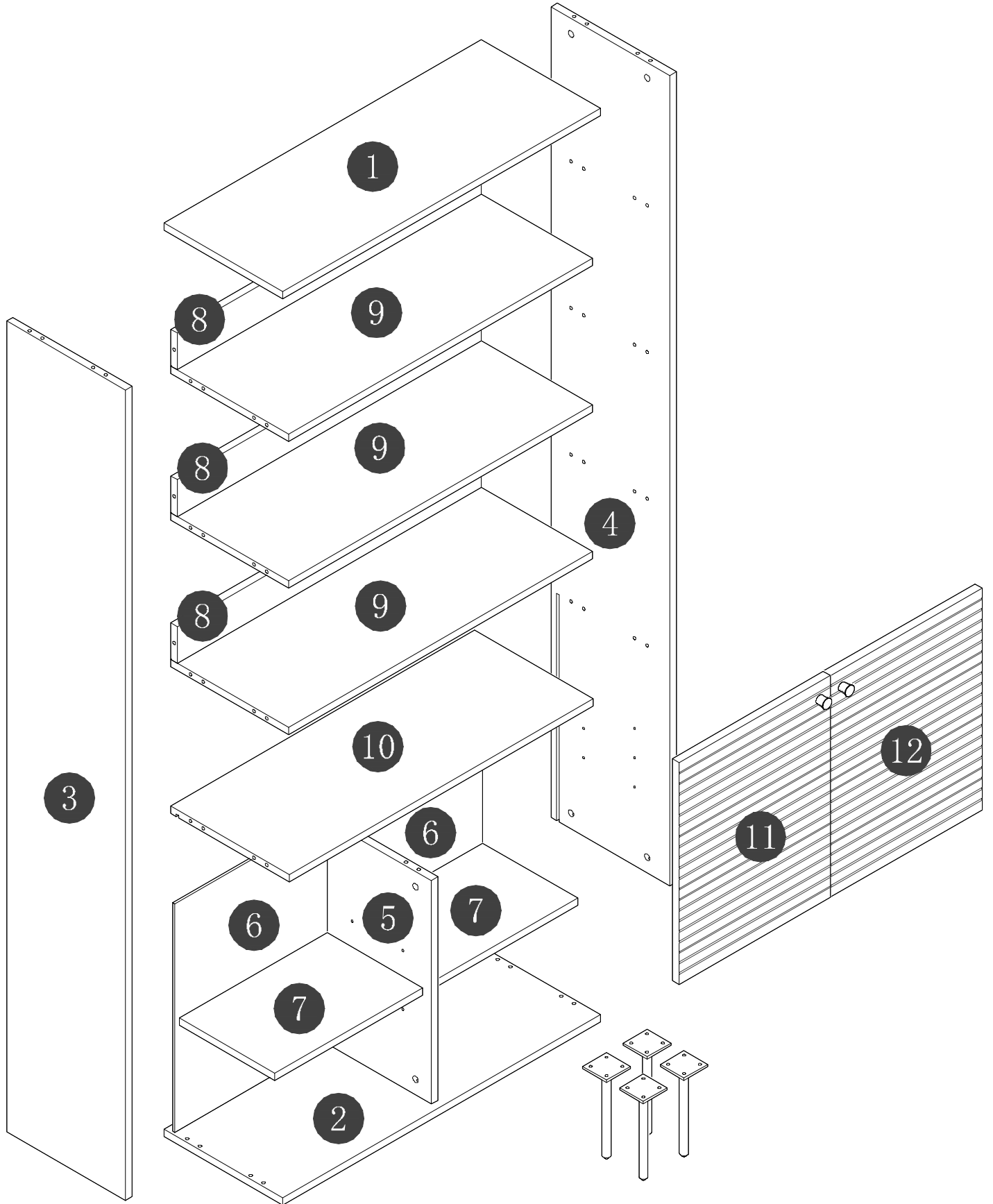
# Assembly Instruction





Panel No	Panel Sizes	Quantity
1	800*300*16	1
2	800*300*16	1
3	1768*299*16	1
4	1768*299*16	1
5	488*280*16	1
6	498*385*5	2

Panel No	Panel Sizes	Quantity
7	372*240*16	2
8	766*80*16	3
9	766*297*16	3
10	766*299*16	1
11	380*484*18	1
12	380*484*18	1



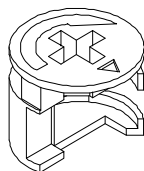
# Fittings



A=43



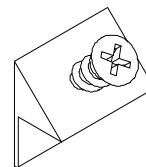
B=34



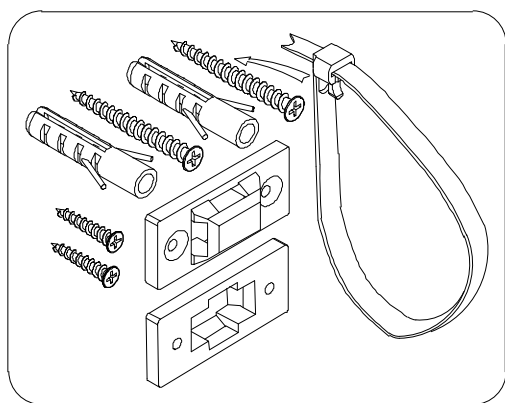
C=43



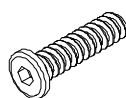
D=43



E=8



F=1

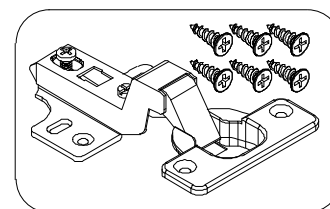


M6\*16

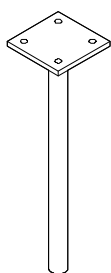
G=16



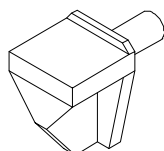
H=1



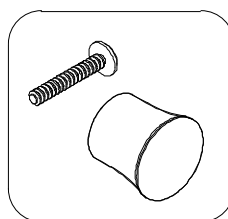
I3=4



J=4



L=8



U=2

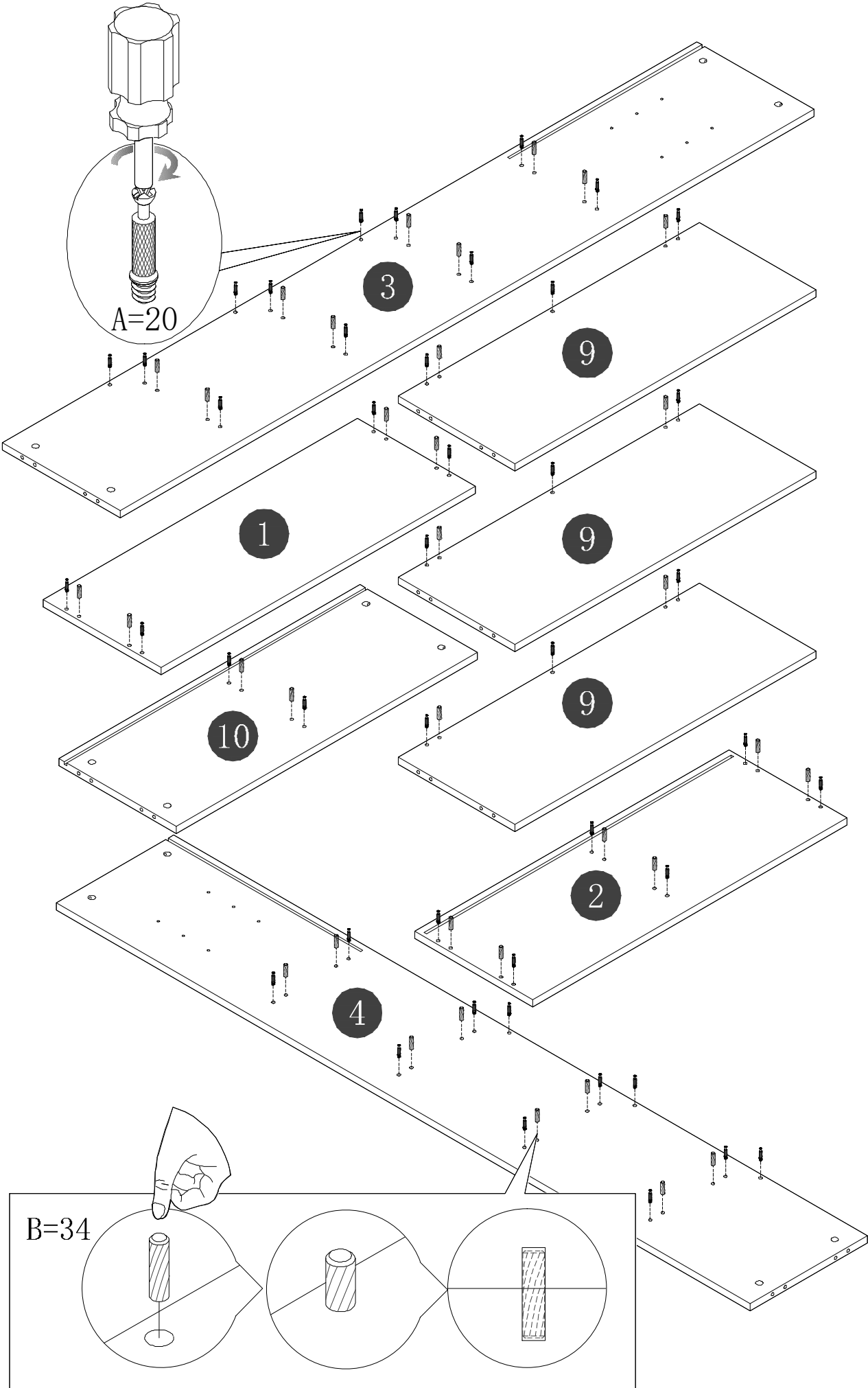


Z1=16

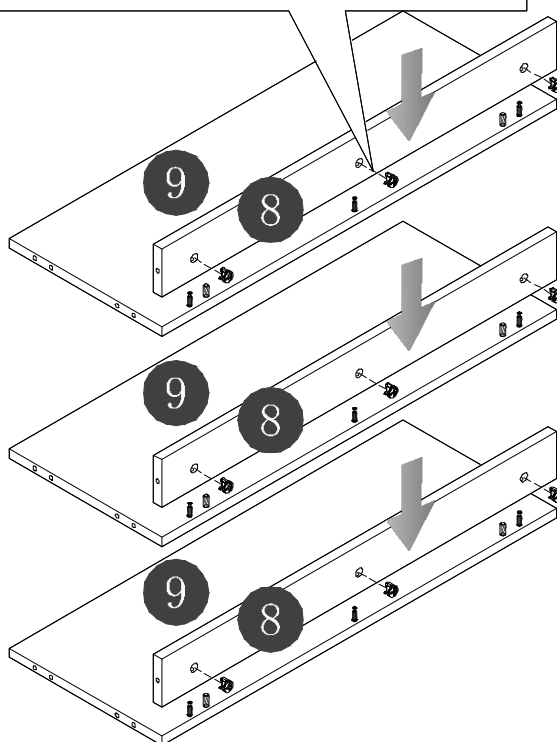
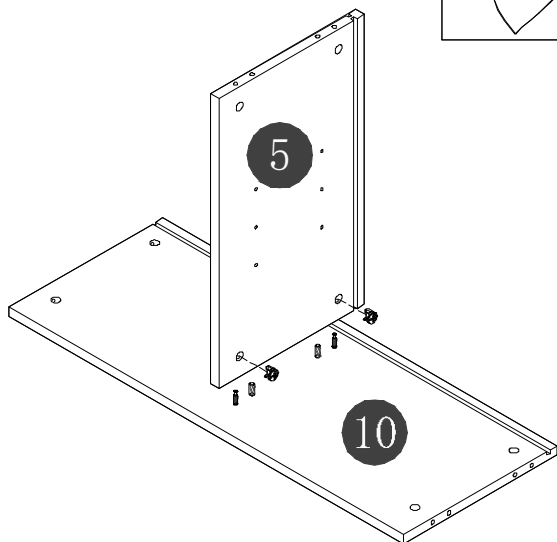
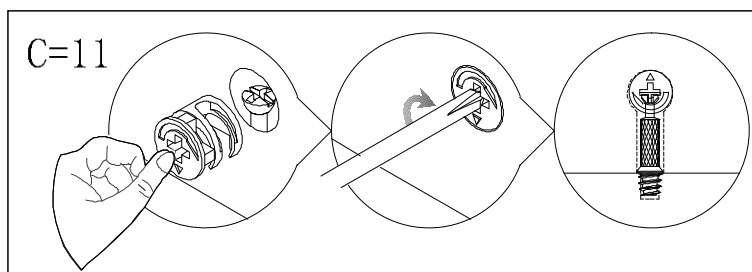


Z2=16

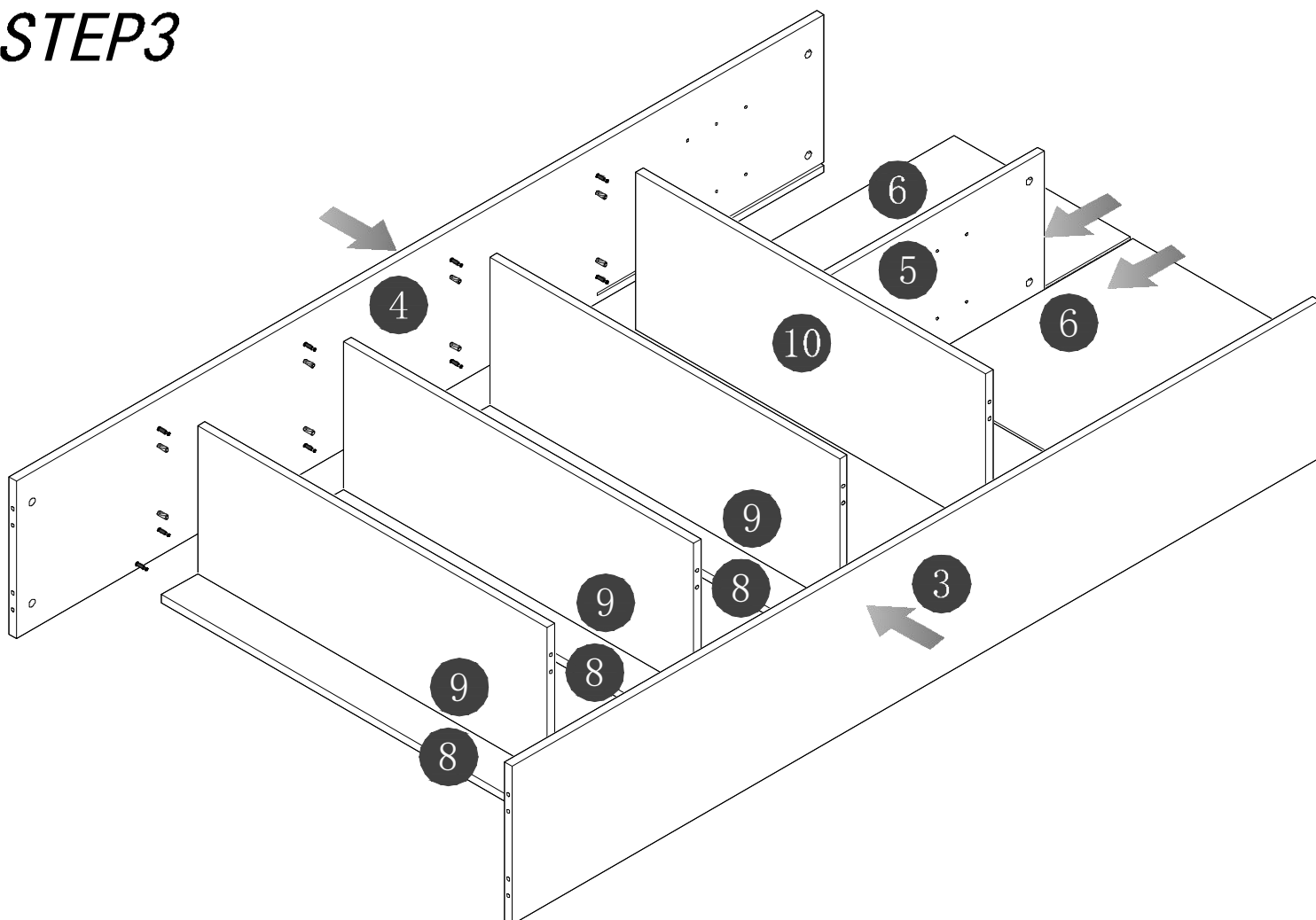
# STEP 1



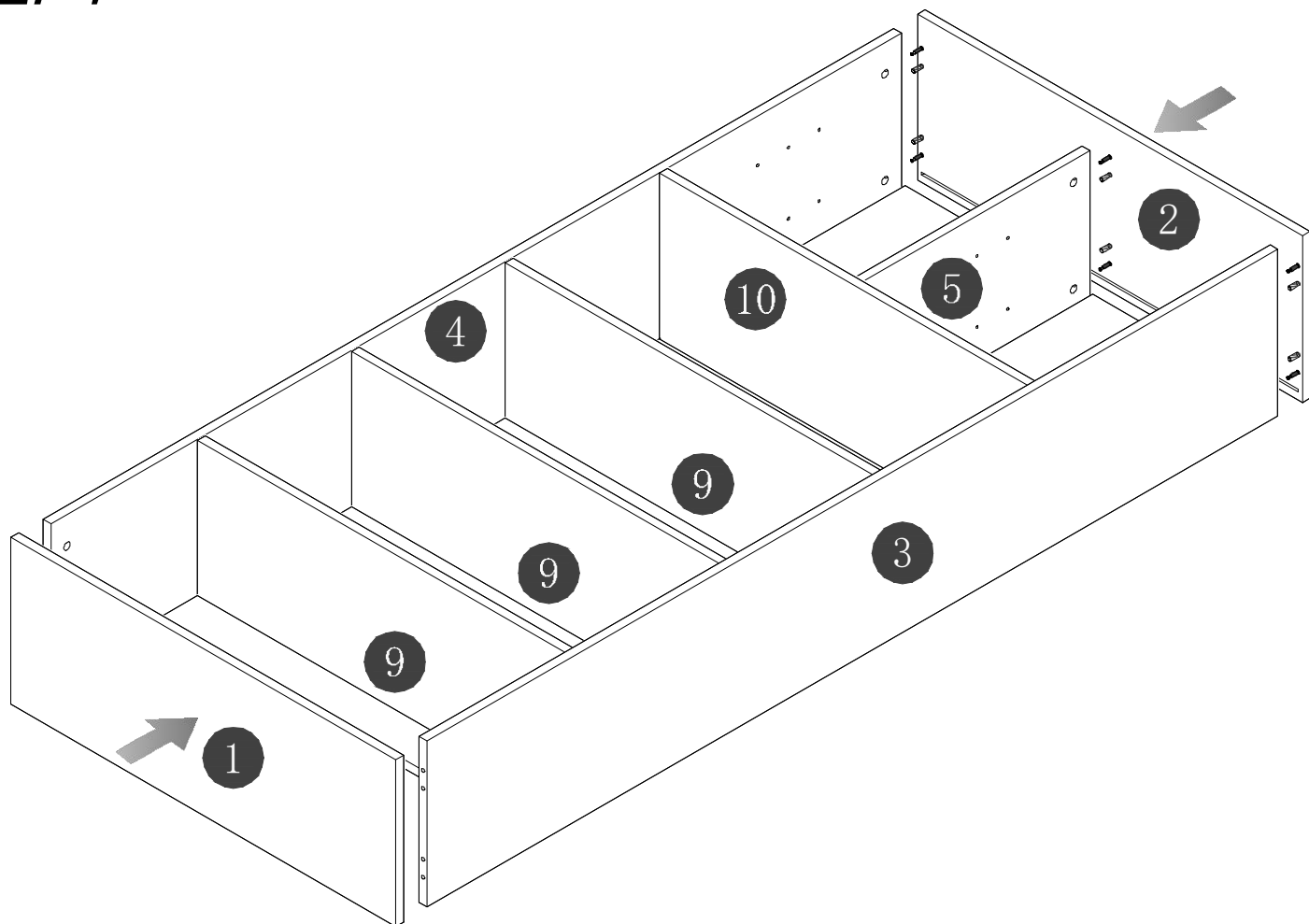
# STEP 2



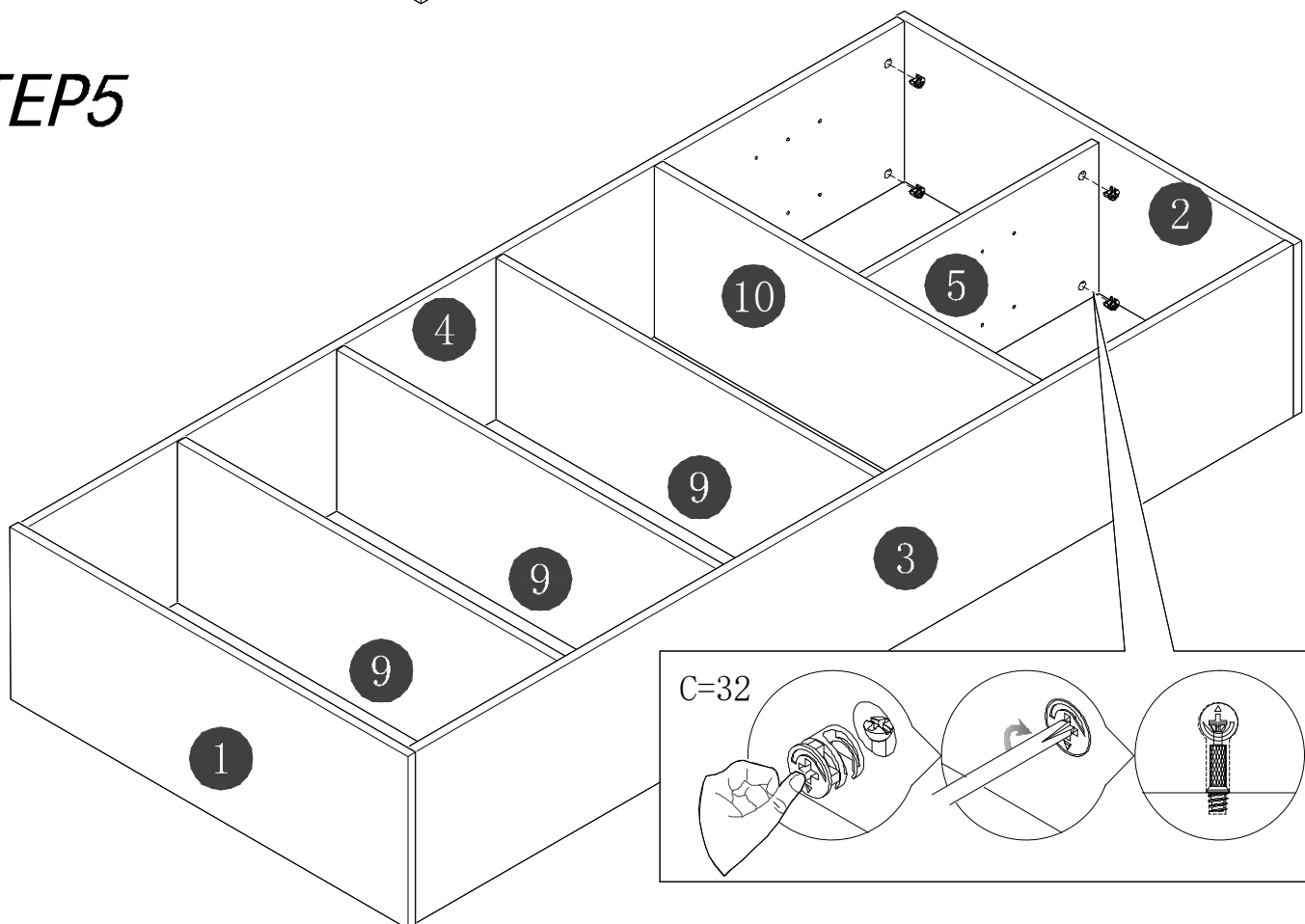
# STEP 3



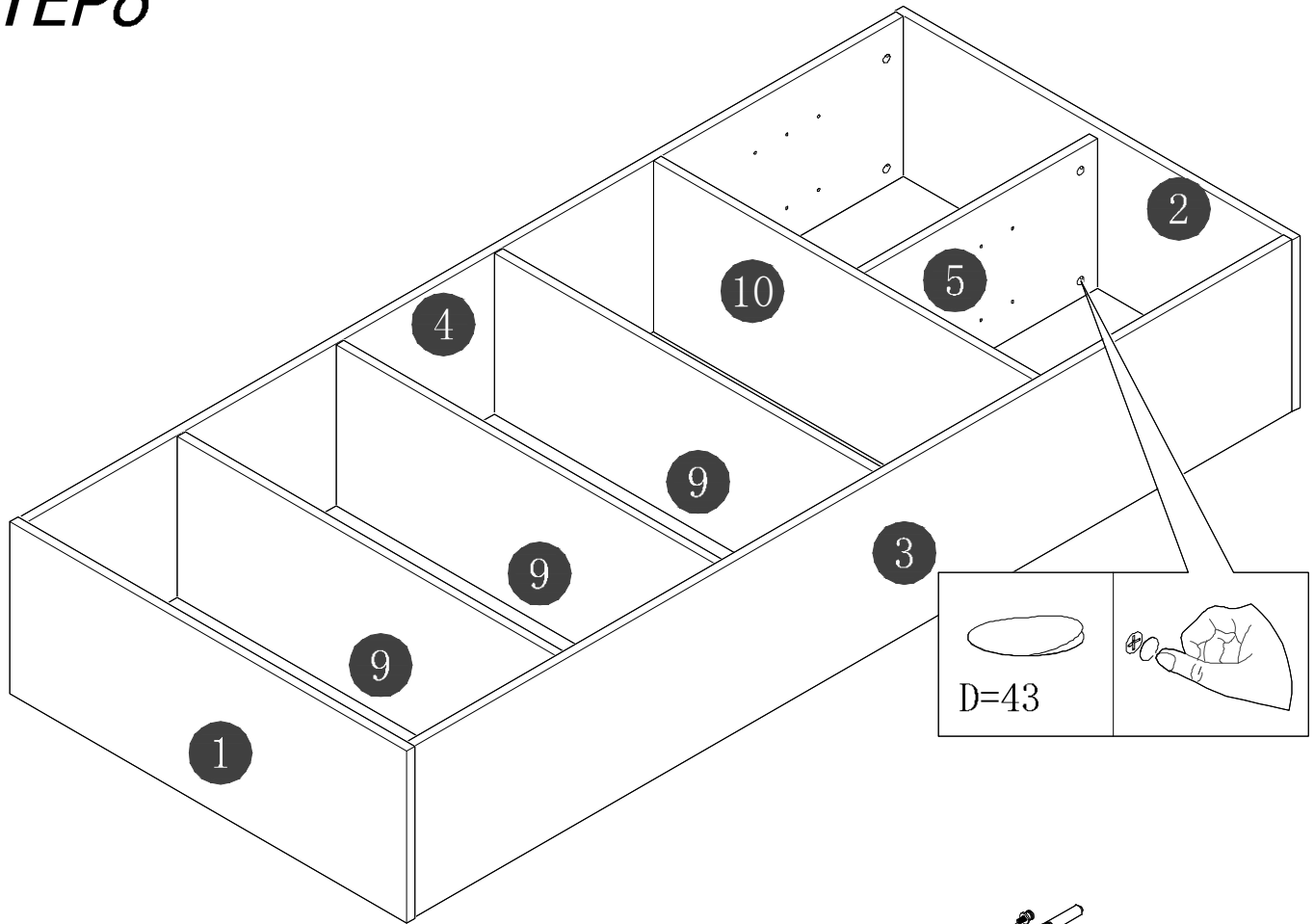
# STEP 4



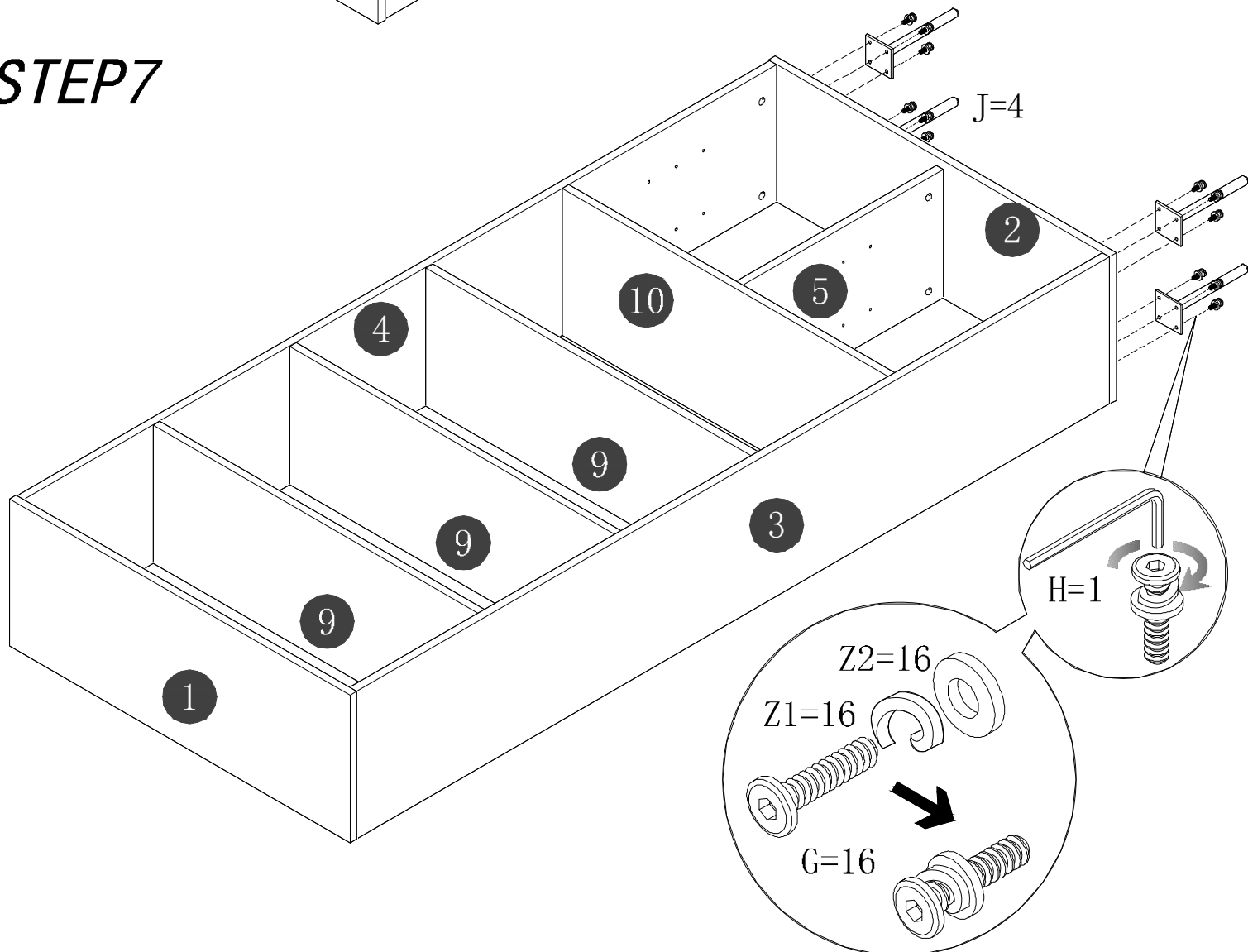
# STEP 5



# STEP 6

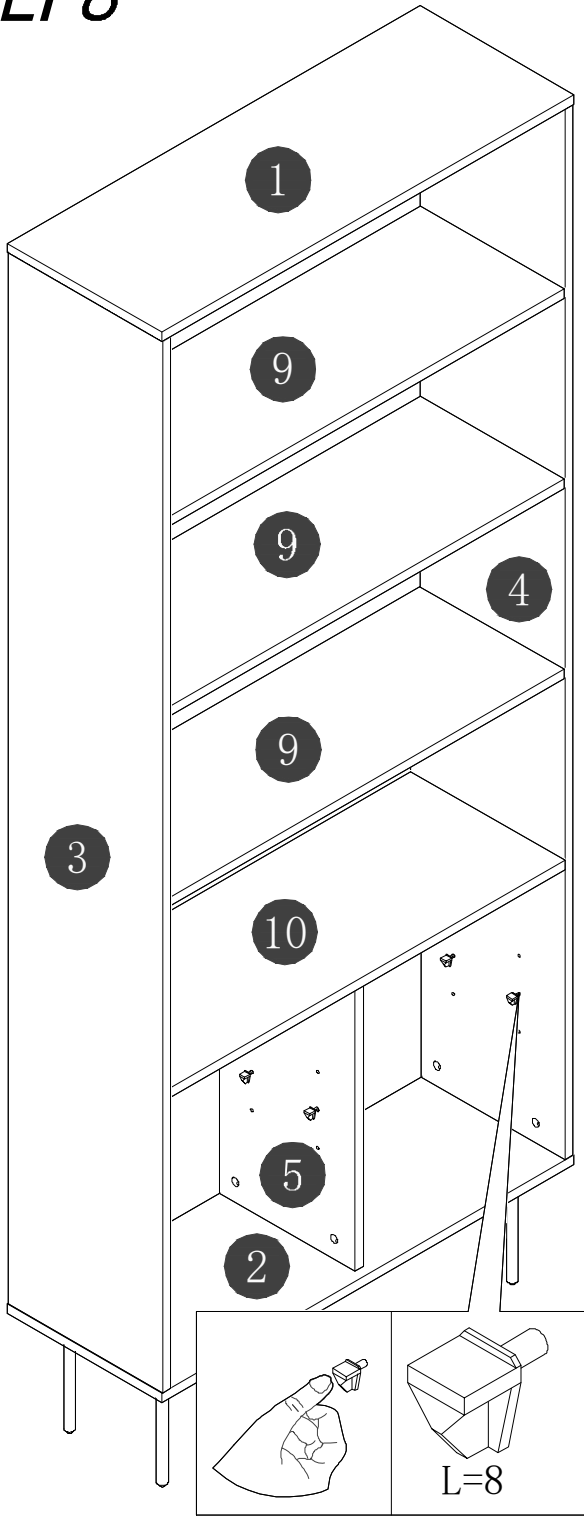


# STEP 7

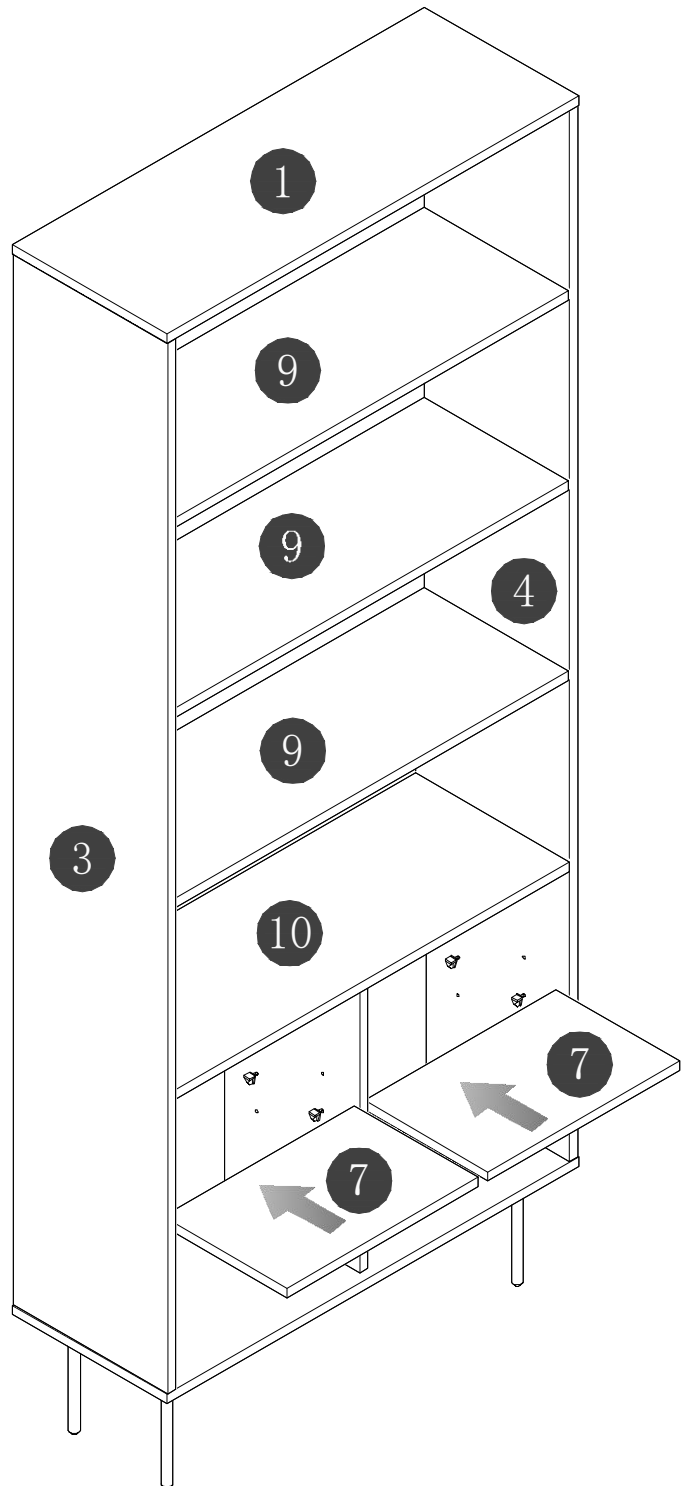




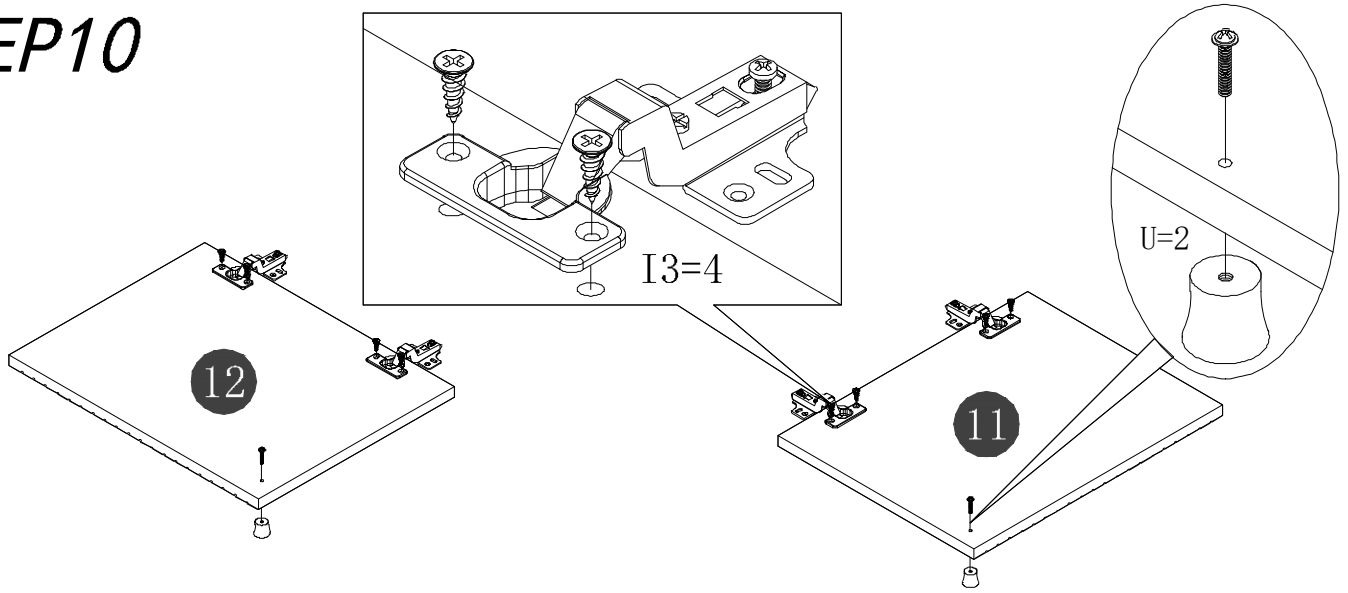
# STEP 8



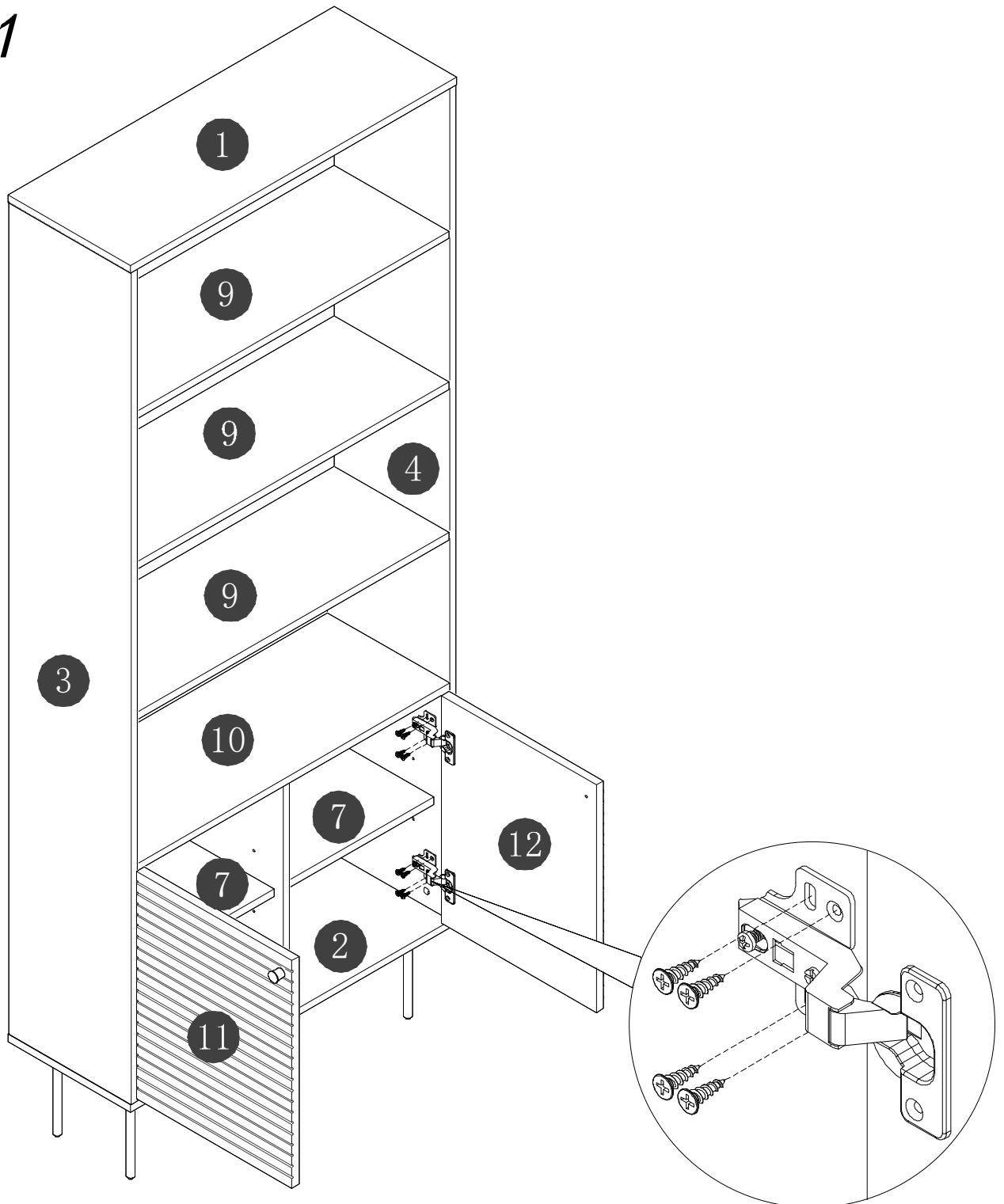
# STEP 9



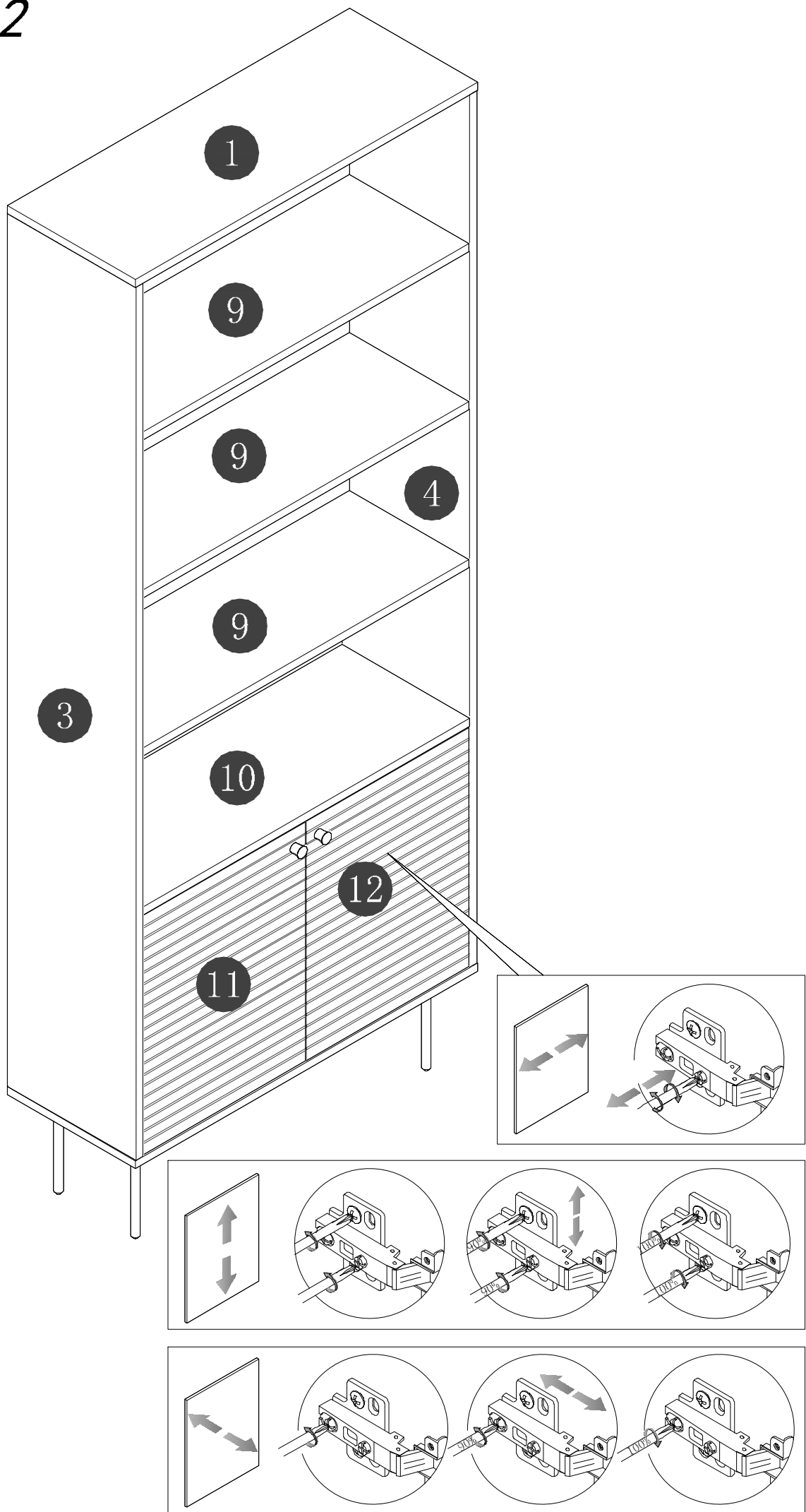
# STEP 10



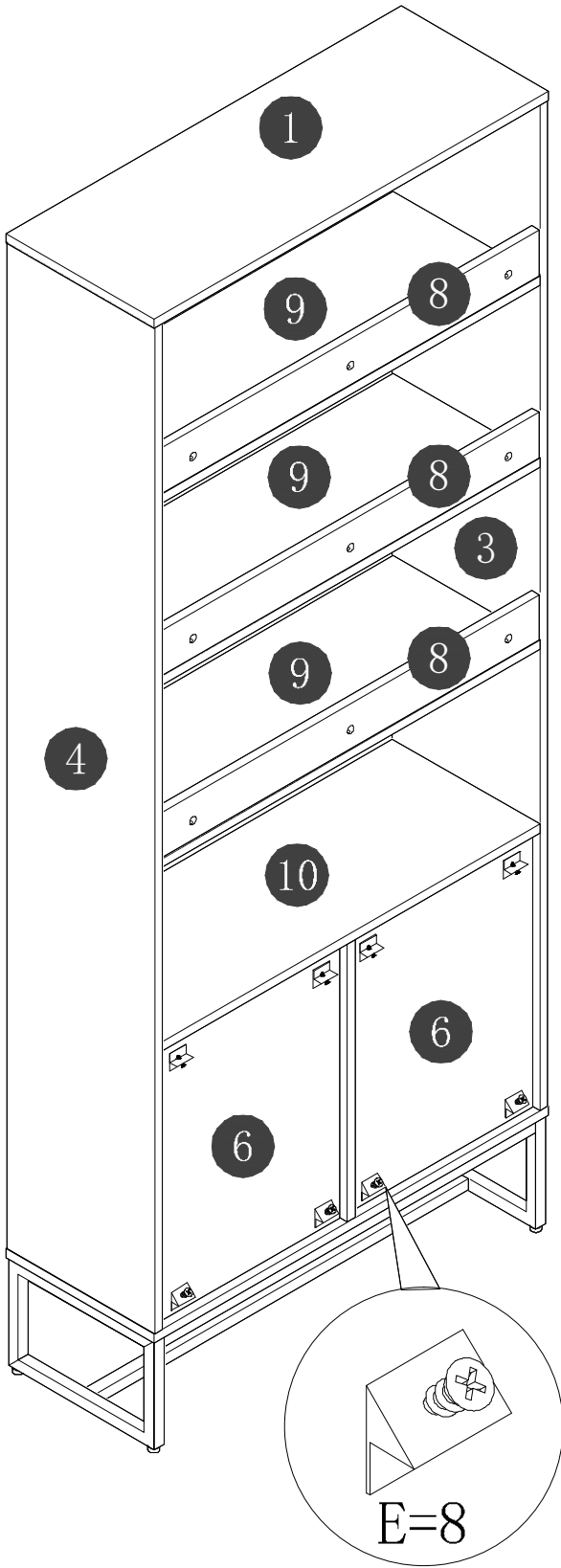
# STEP 11



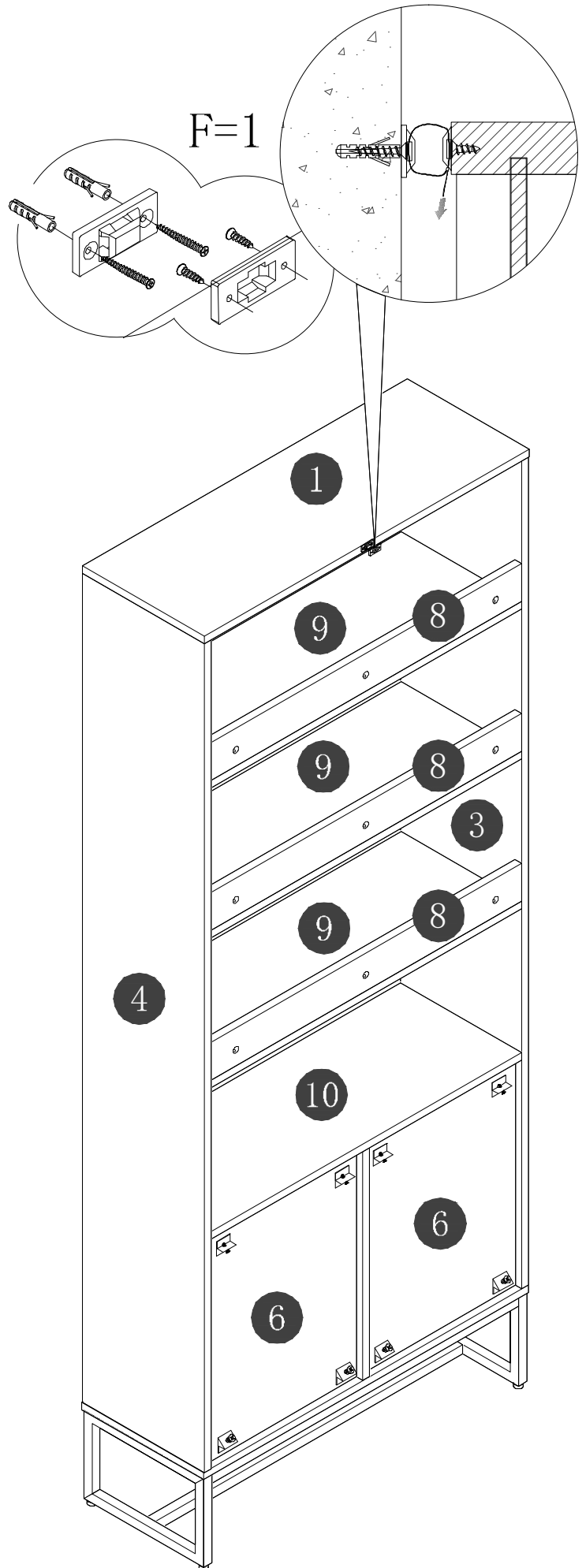
# STEP 12



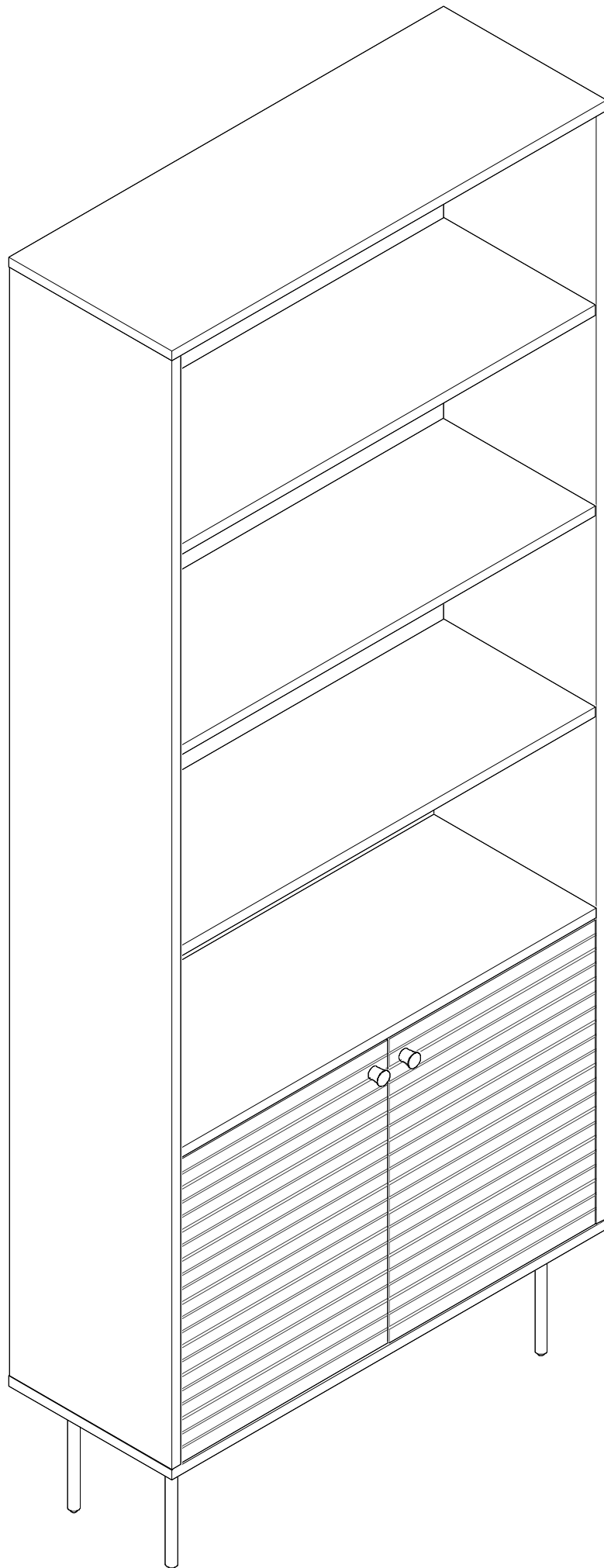
# STEP13



# STEP14



# STEP 15



*Finish*