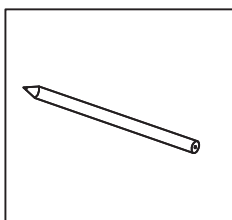
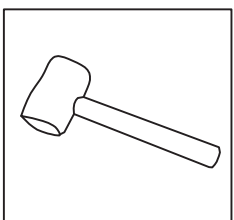
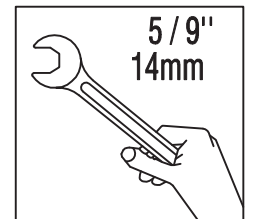
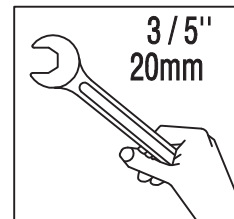
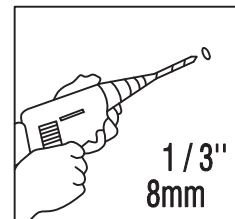
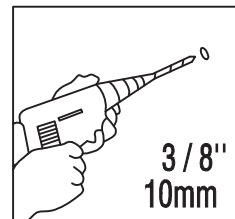
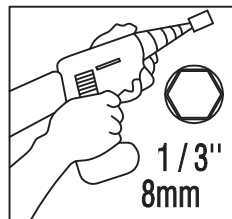
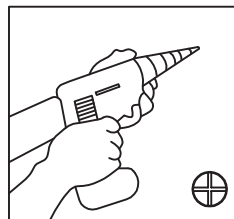
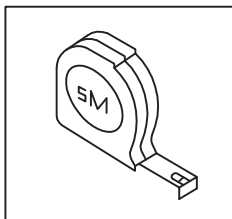
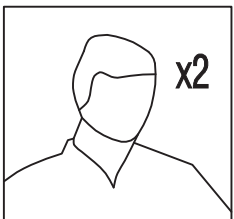
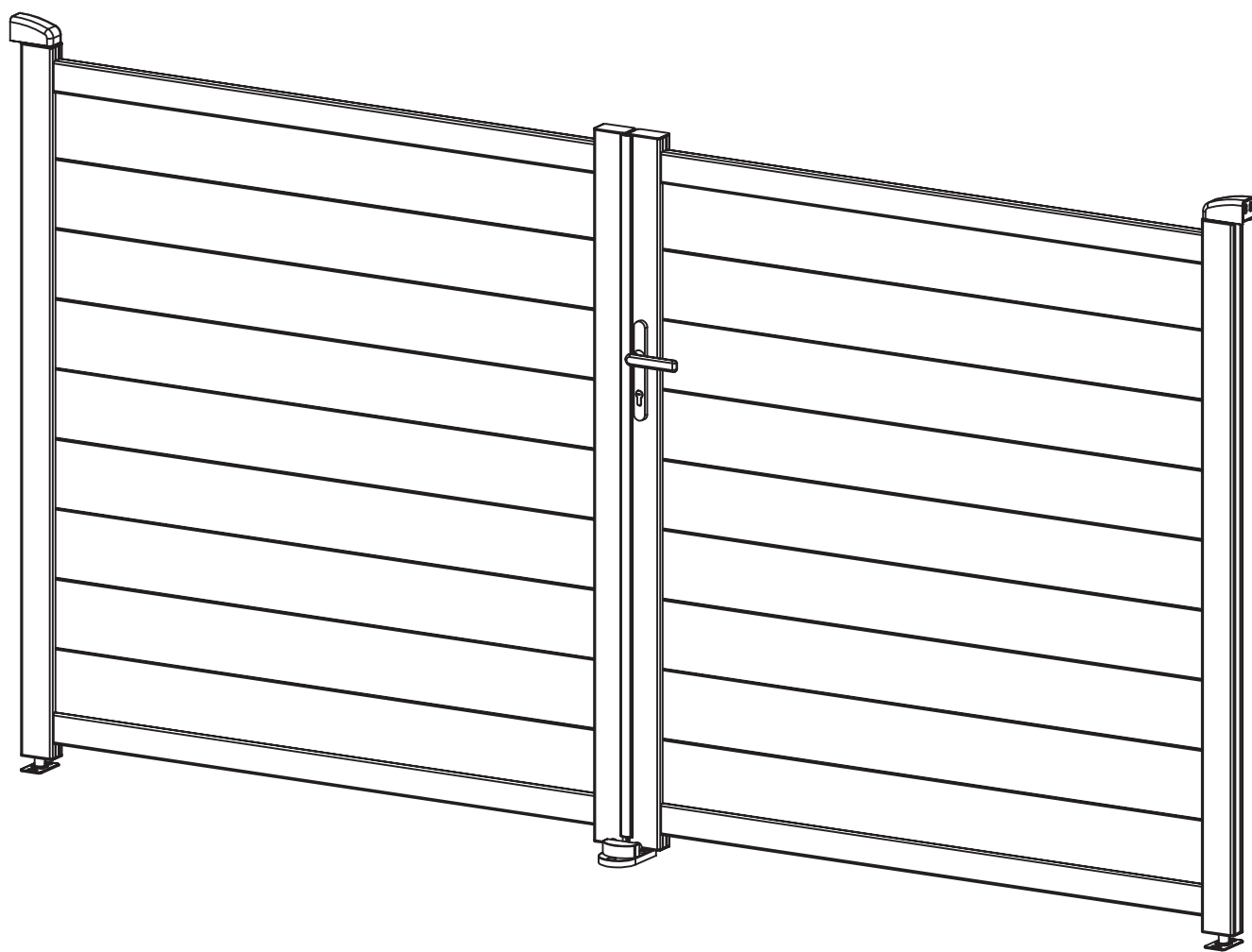


Manuel d'instructions/Instruction Manual/Bedienungsanleitung/
Manual de instrucciones/Manuale di istruzioni/Handleiding/
Manual de instruções/Instrukcja obsługi

NAZARIO



Porte en aluminium
Click B-B

! AVERTISSEMENT: nécessite un entretien rapide pour s'assurer que la construction est solide.

! WARNING: Need timely maintenance to make sure construction is strong.

! WARNUNG: Sie müssen rechtzeitig gewartet werden, um sicherzustellen, dass die Konstruktion stark ist.

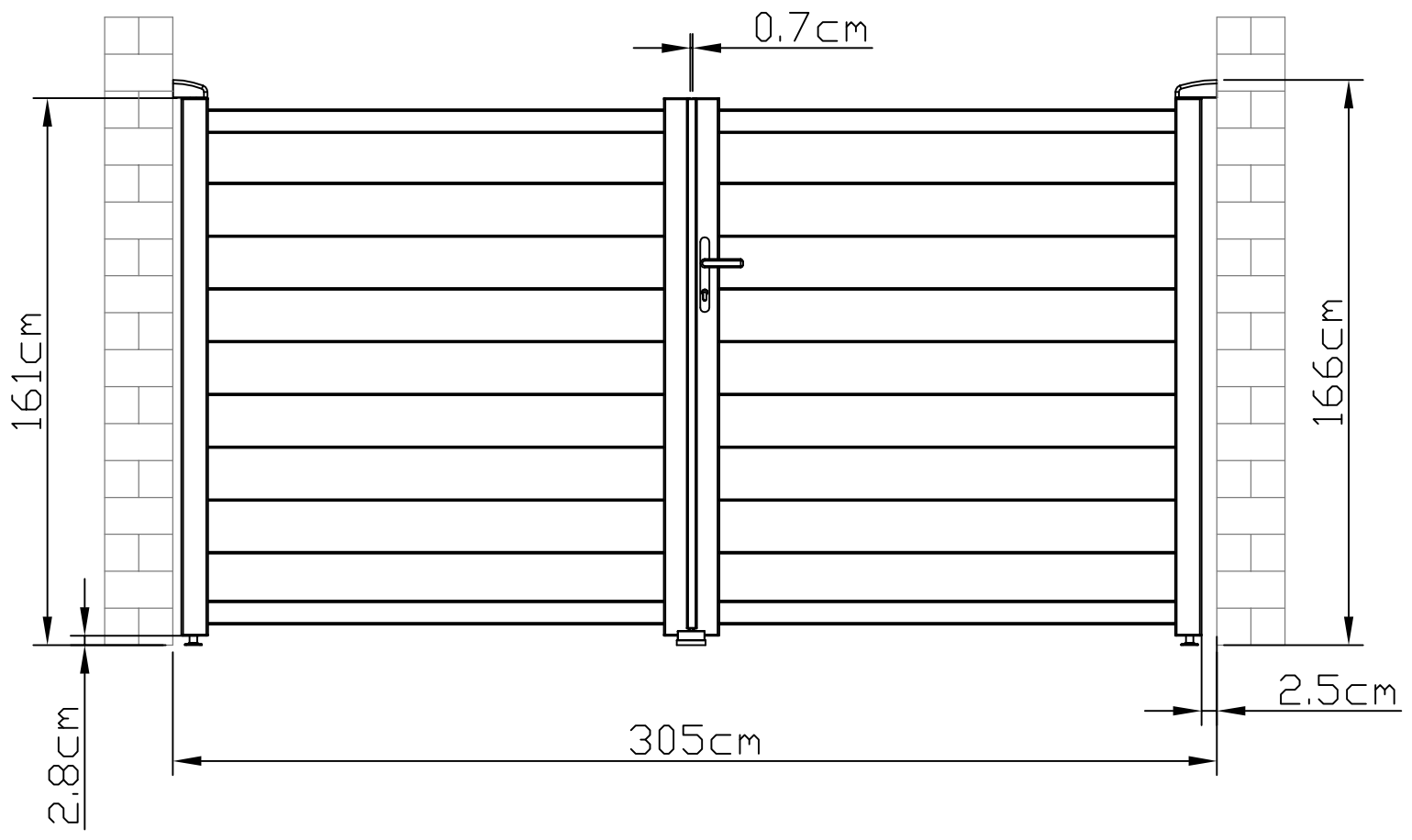
! ADVERTENCIA: Necesita un mantenimiento oportuno para asegurarse de que la construcción sea sólida.

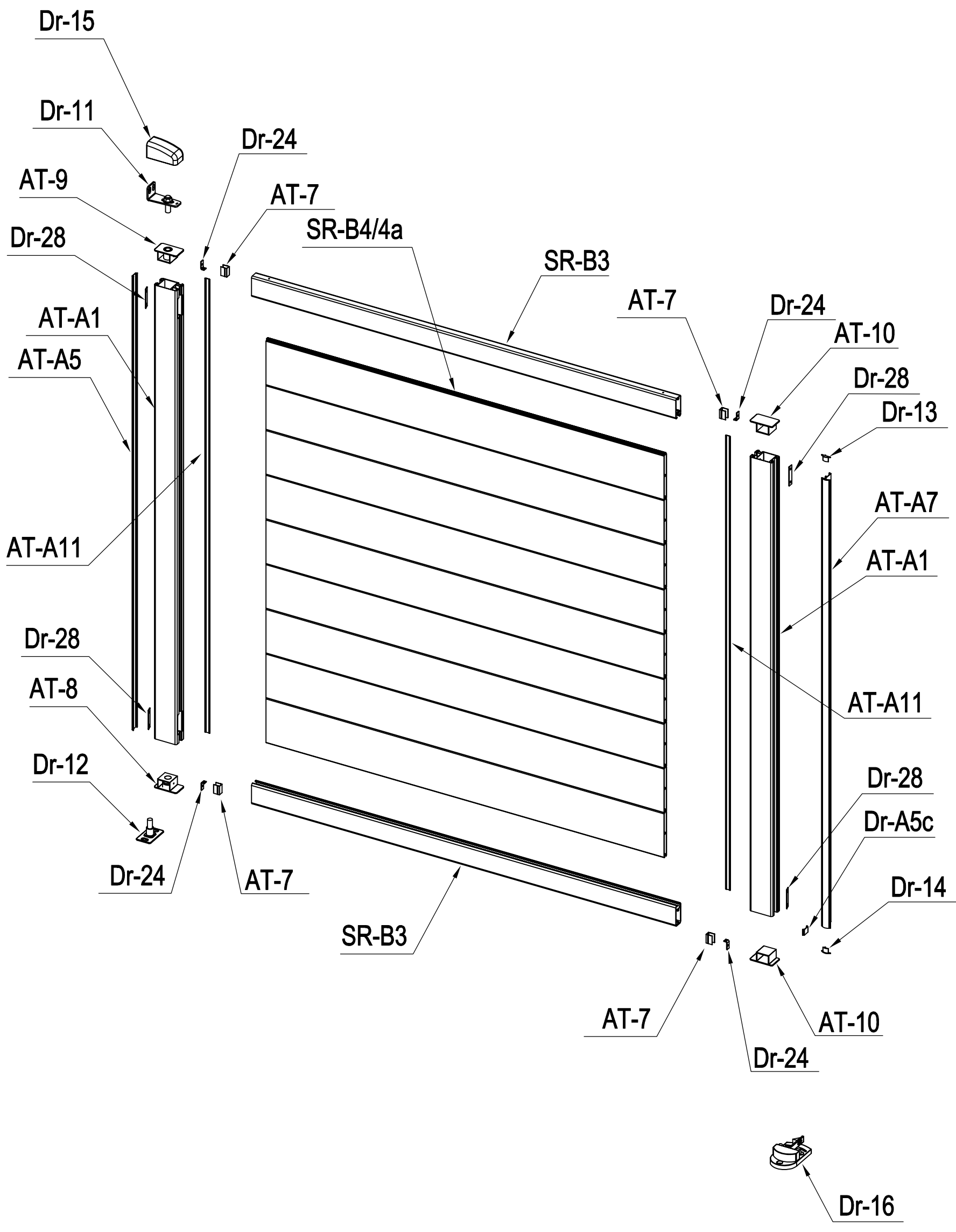
! AVVERTENZA: è necessaria una manutenzione tempestiva per assicurarsi che la costruzione sia robusta.

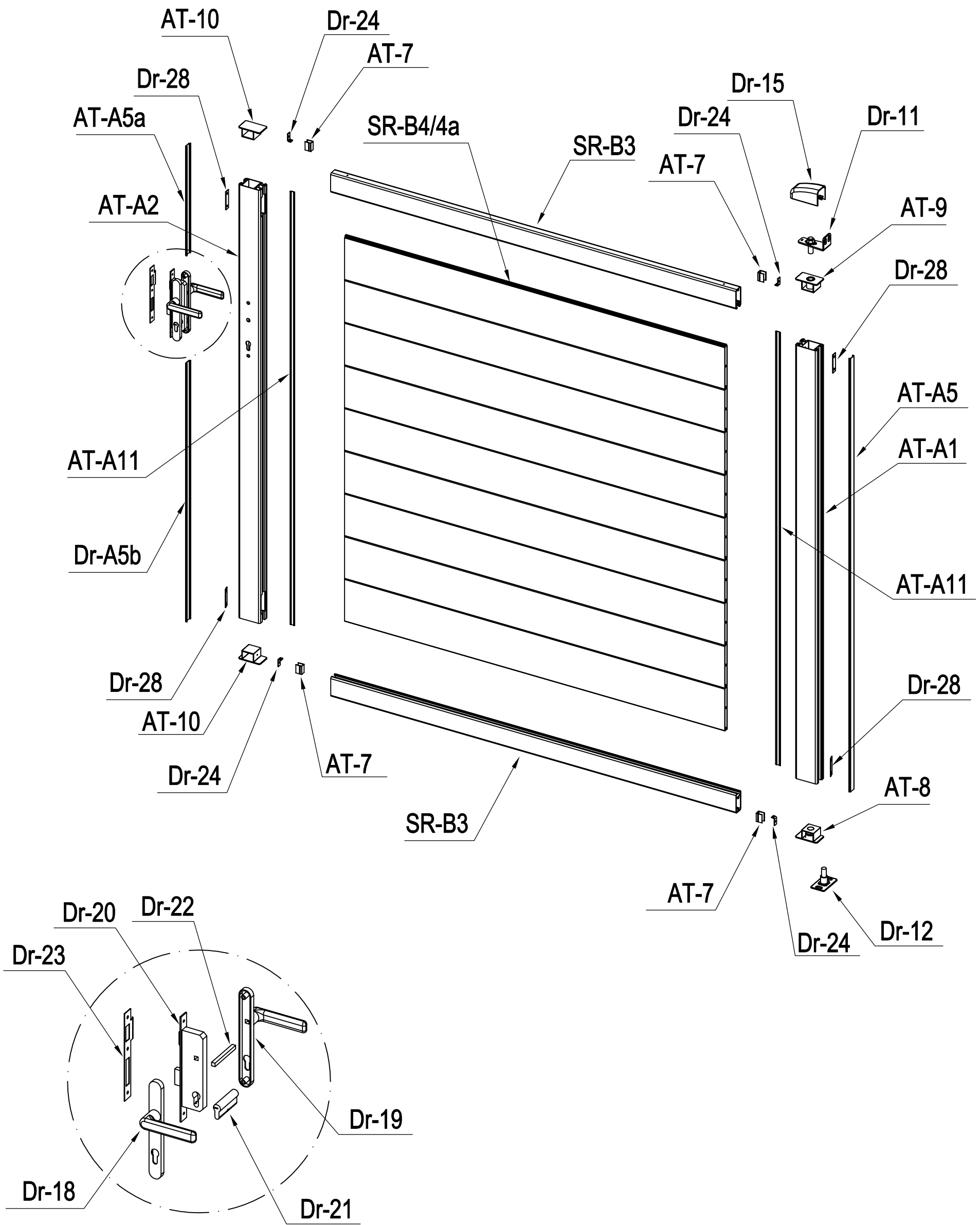
! WAARSCHUWING: Heeft tijdig onderhoud nodig om ervoor te zorgen dat de constructie sterk is.

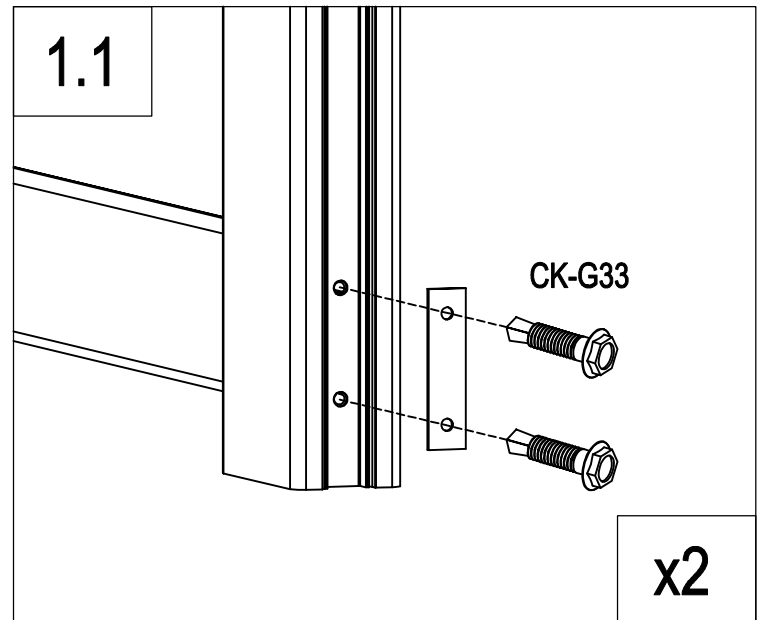
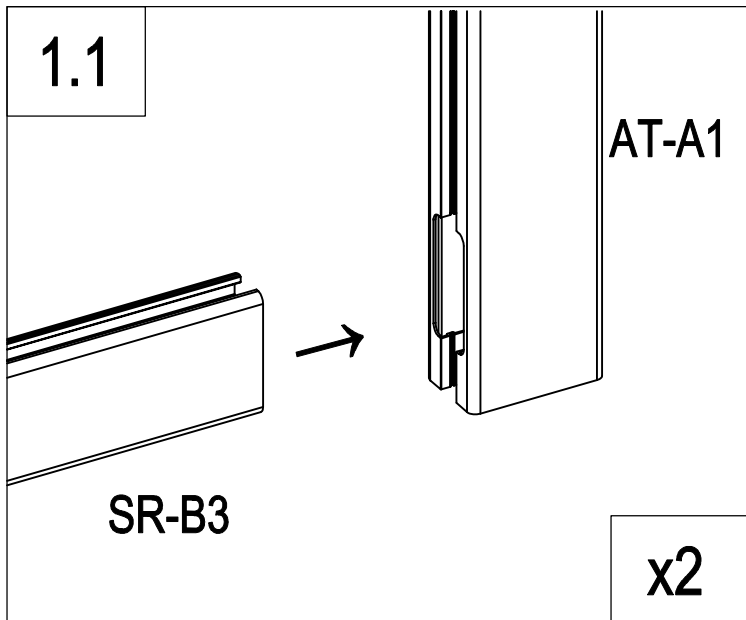
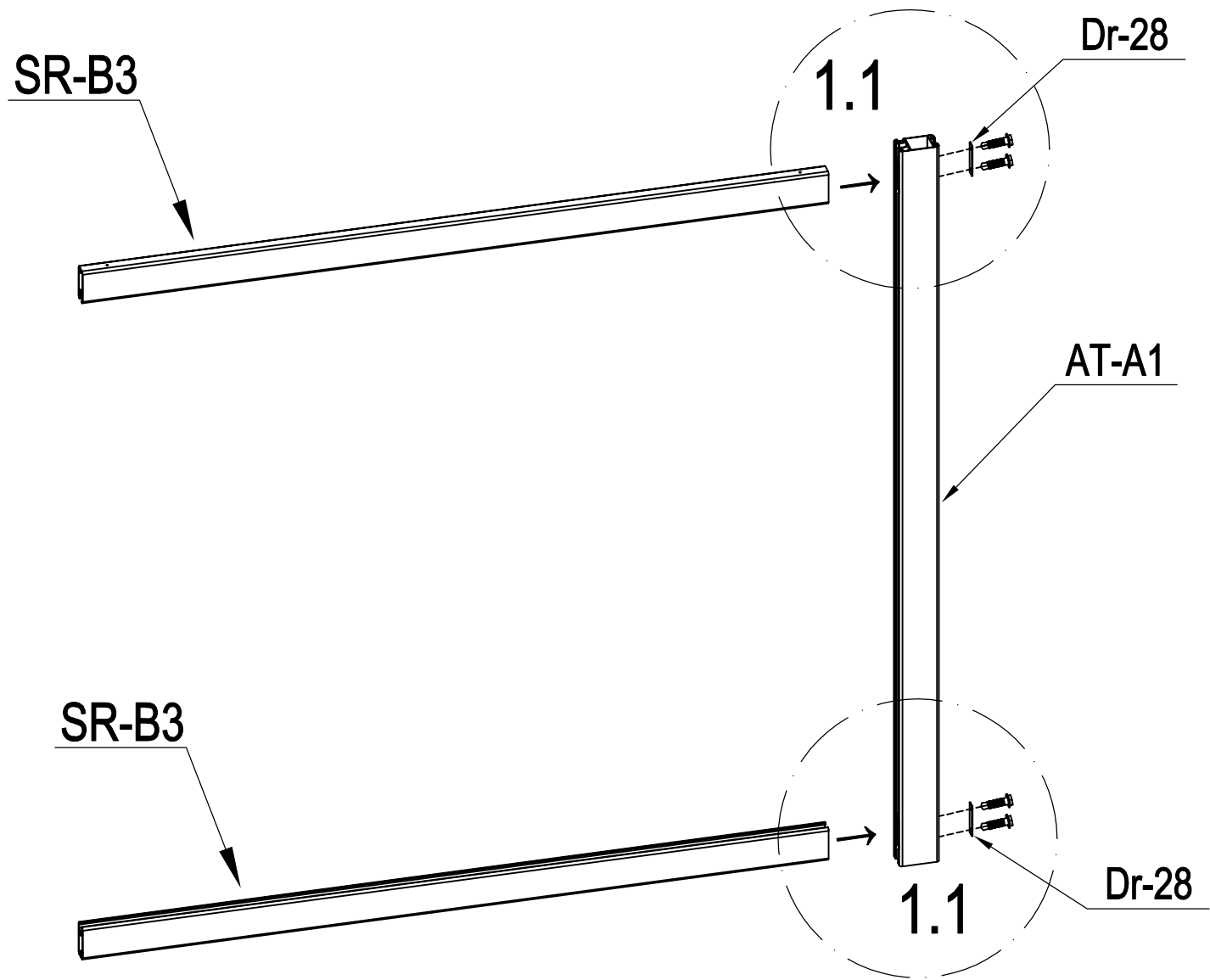
! AVISO: Precisa de manutenção oportuna para garantir que a construção seja forte.

! OSTRZEŻENIE: Potrzebujesz terminowej konserwacji, aby upewnić się, że konstrukcja jest silna.

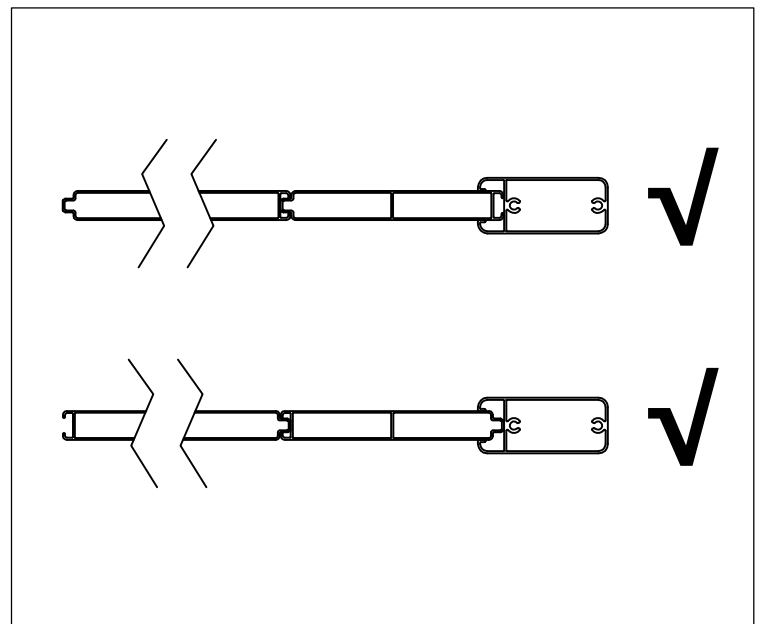
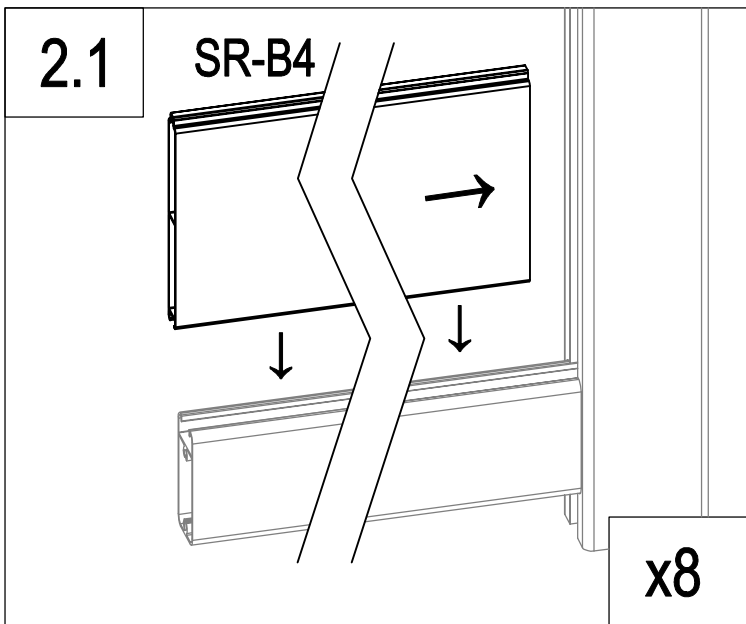




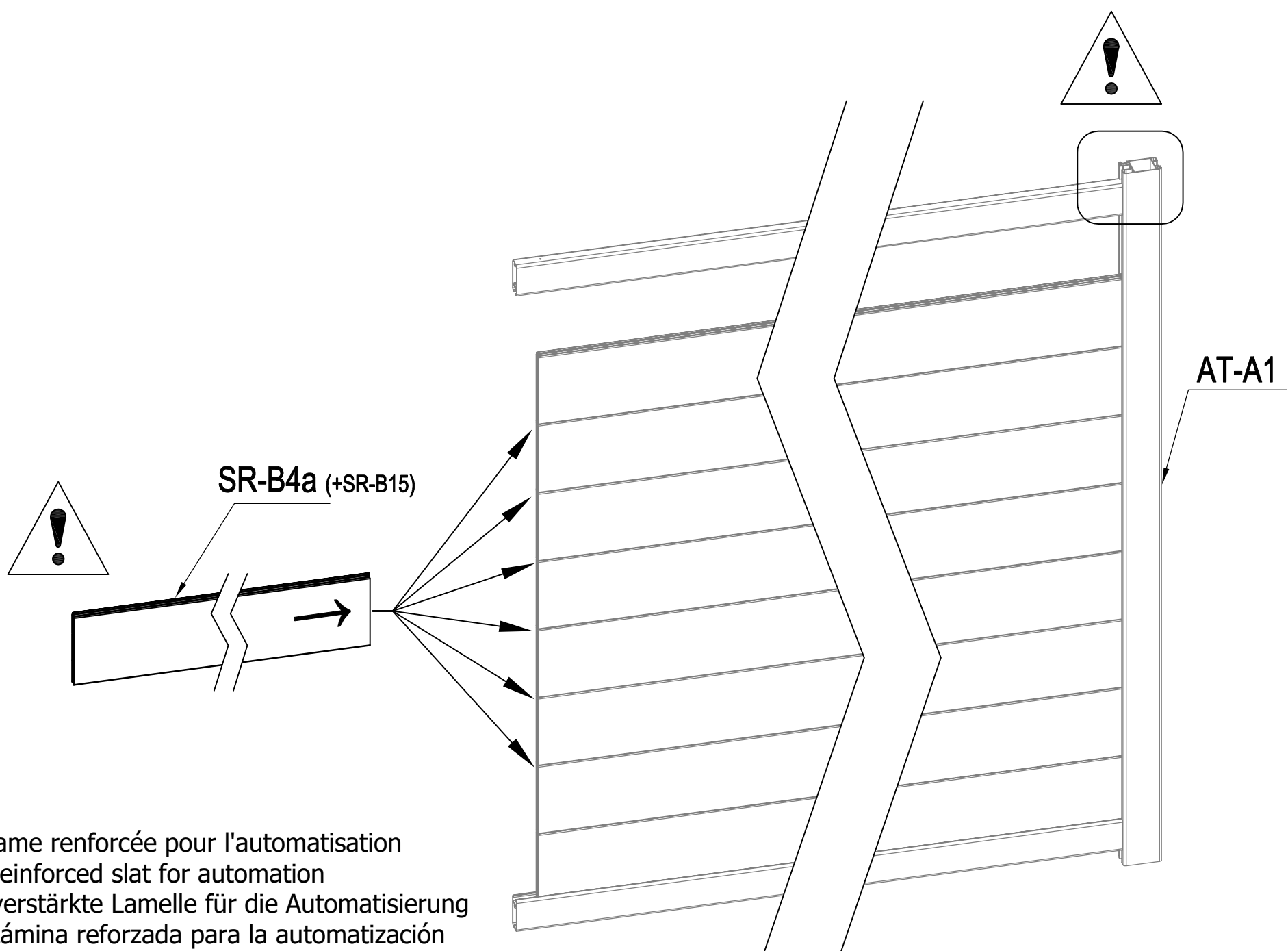




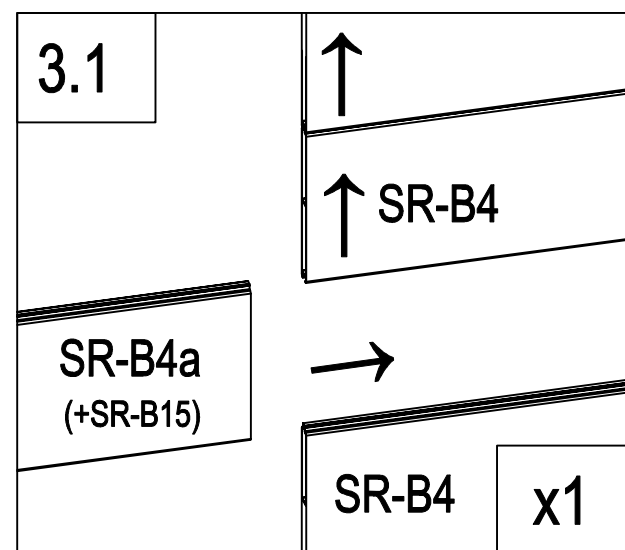
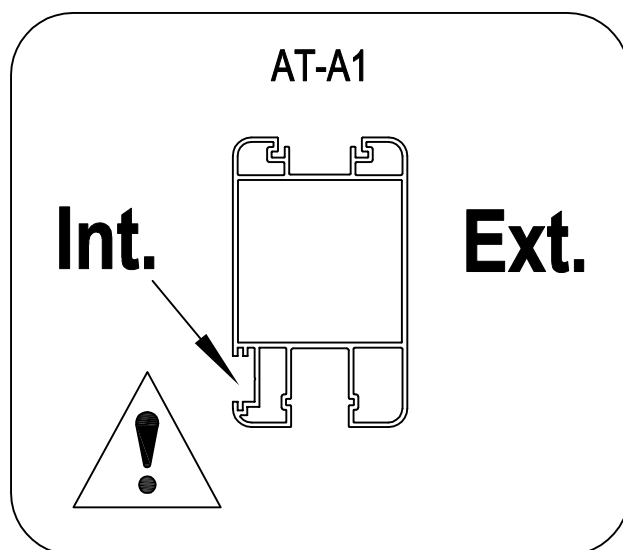
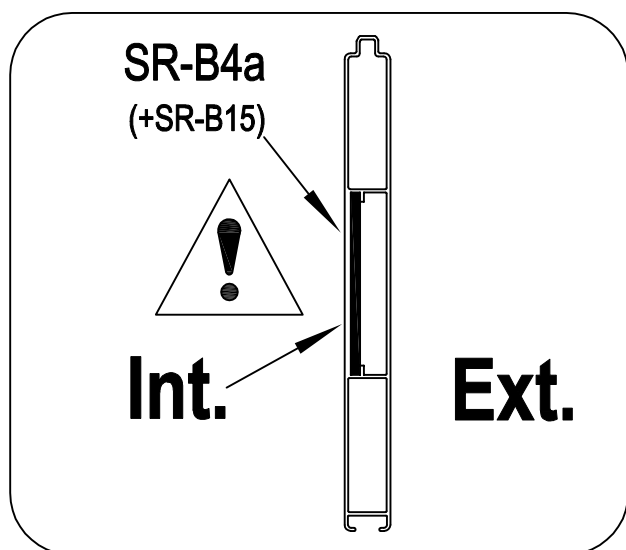
	AT-A1	1
	SR-B3	2
	Dr-28	2
	CK-G33	4




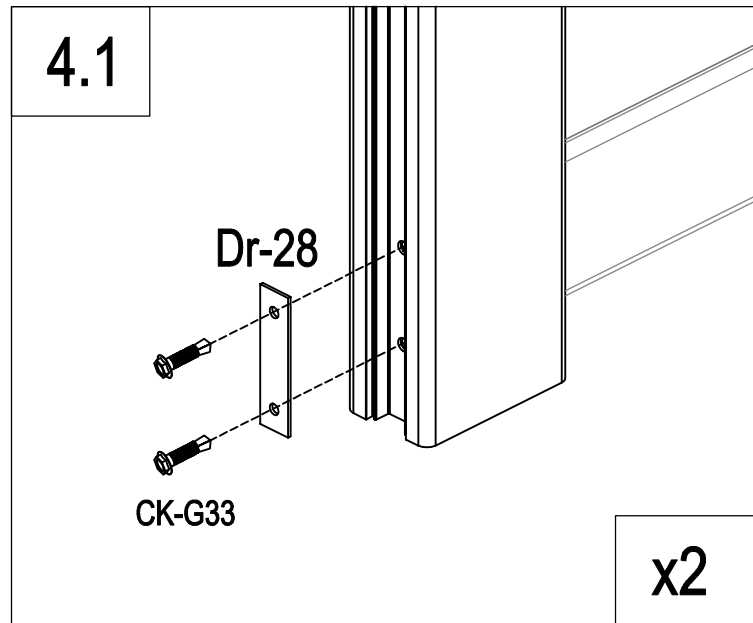
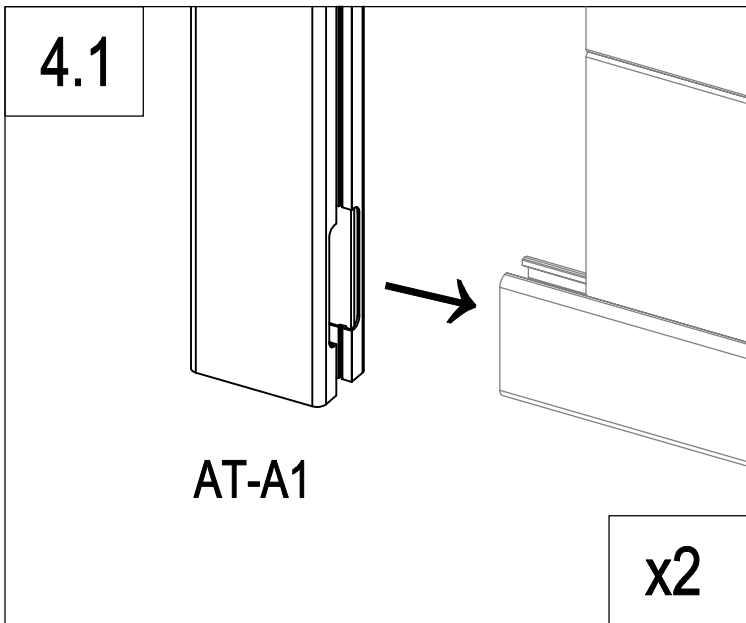
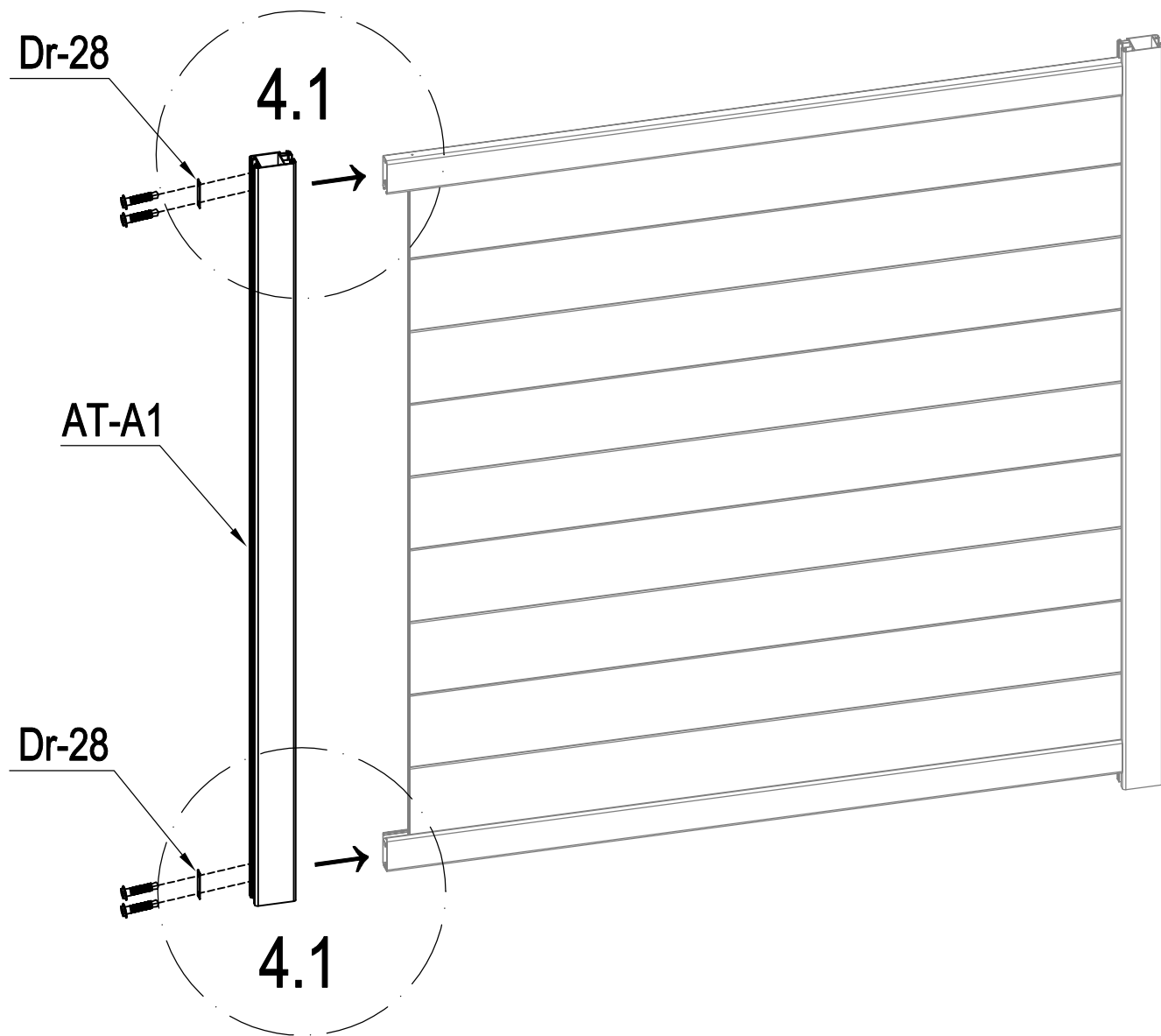
	SR-B4	8
---	-------	---

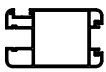




FR: lame renforcée pour l'automatisation
 EN: reinforced slat for automation
 DE: verstärkte Lamelle für die Automatisierung
 ES: Lámina reforzada para la automatización
 IT: lamella rinforzata per l'automazione
 NL: versterkte lat voor automatisering
 PT: ripa reforçada para automação
 PL: wzmocniona listwa do automatyzacji

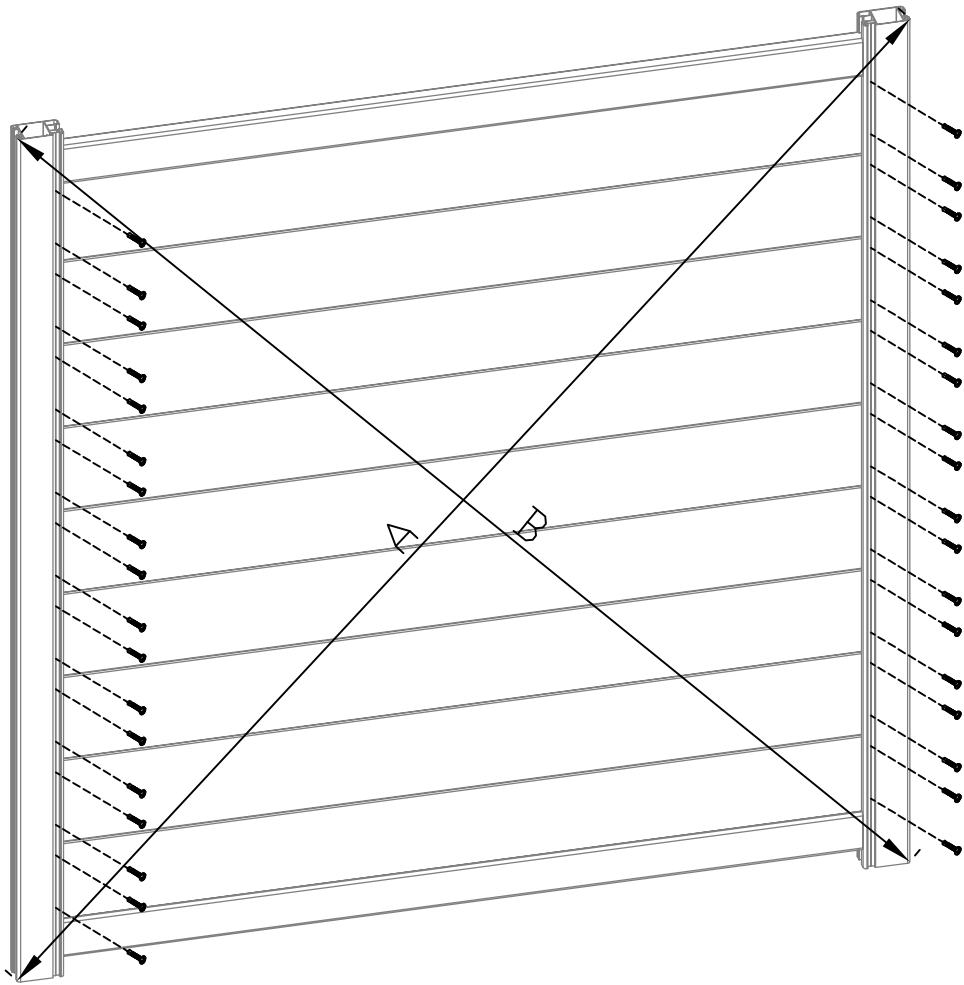


	SR-B4a (+SR-B15)	1
---	------------------	---

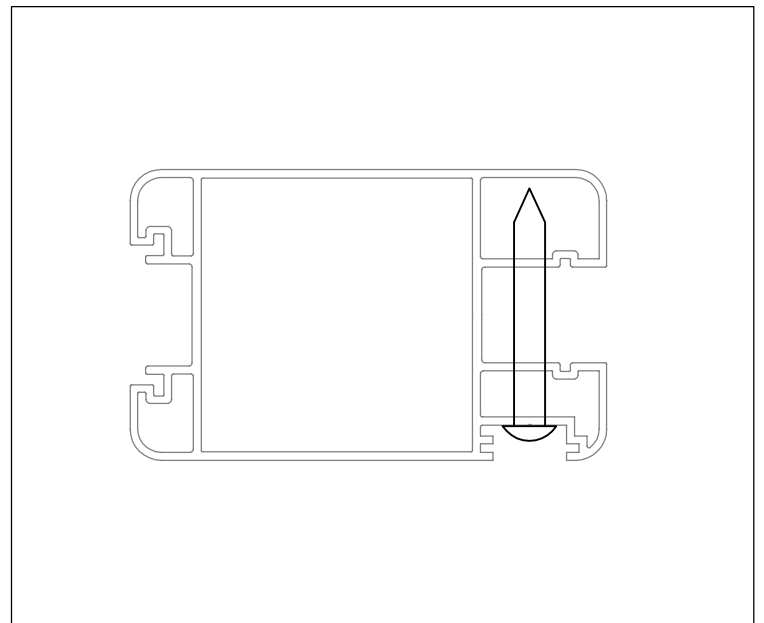
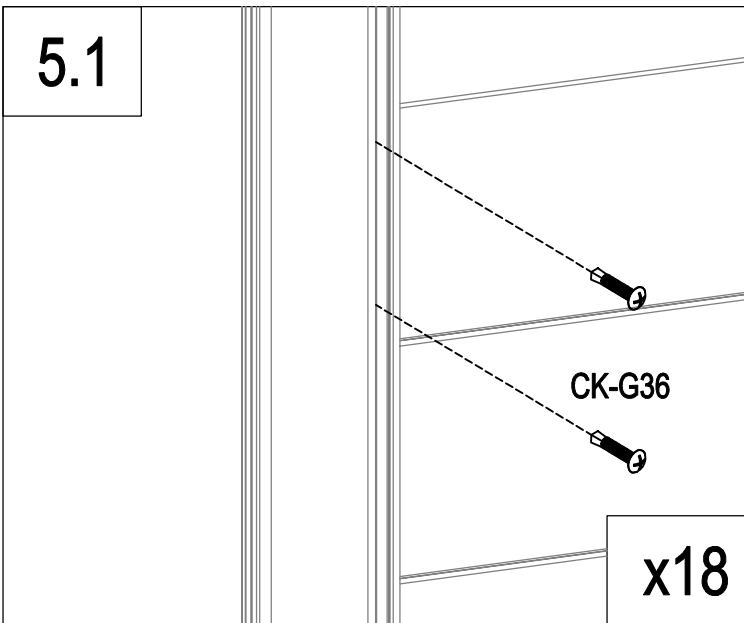


	AT-A1	1
	Dr-28	2
	CK-G33	4

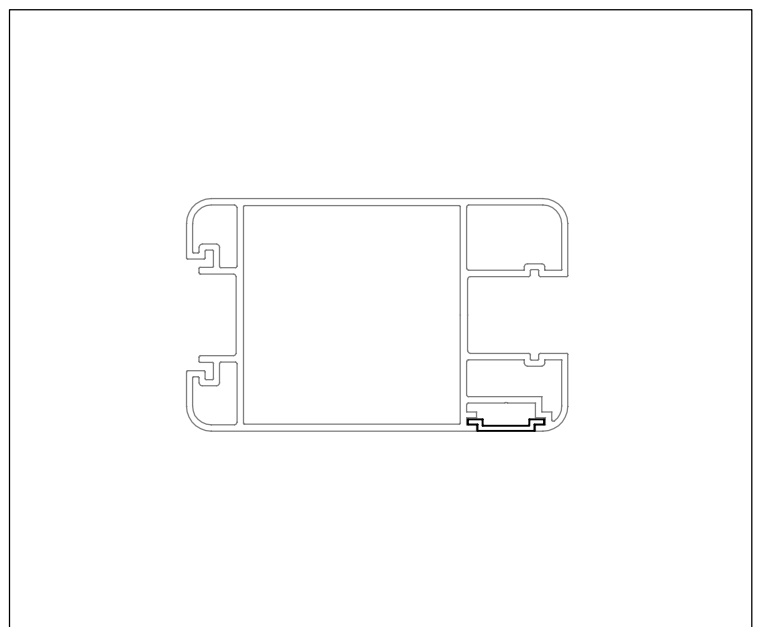
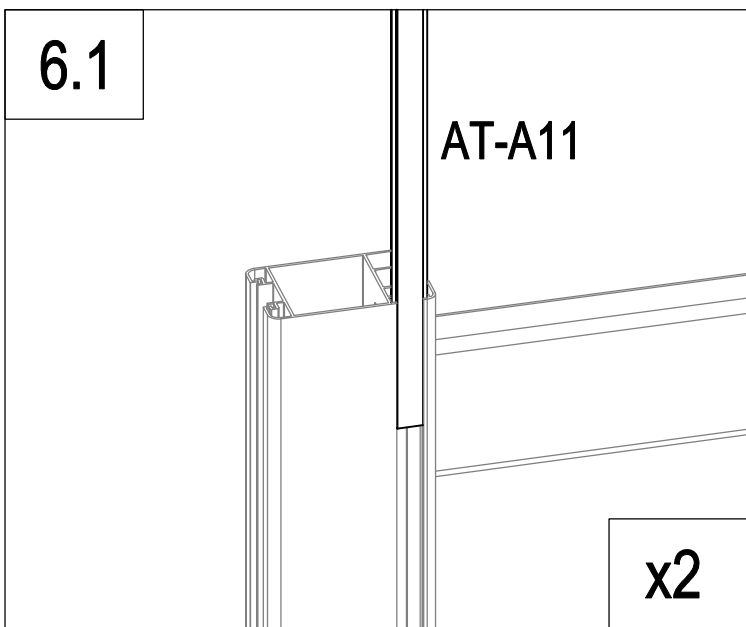
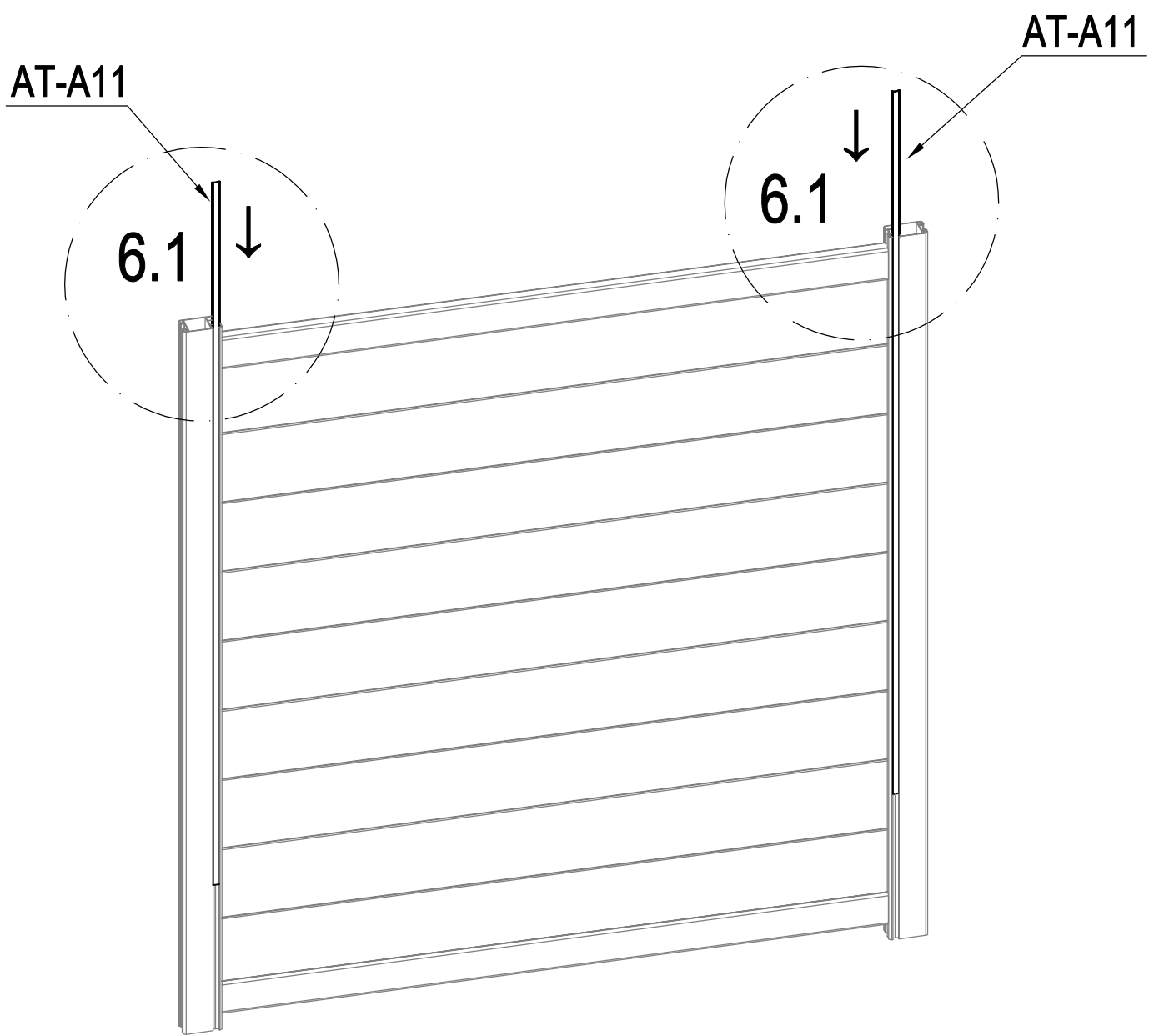
180°

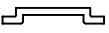


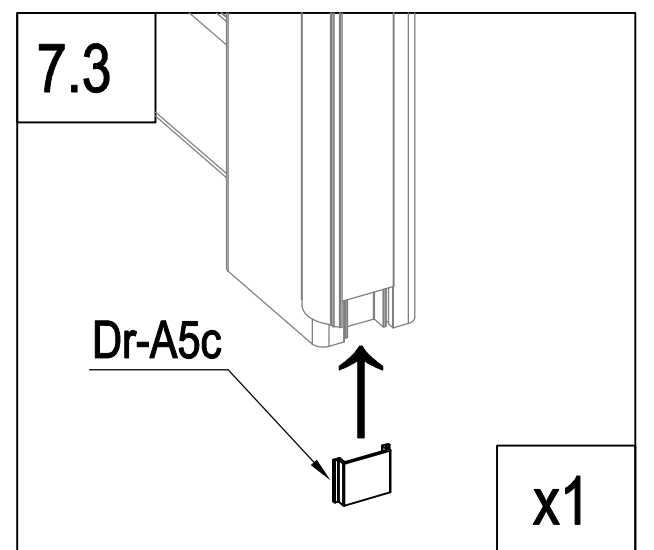
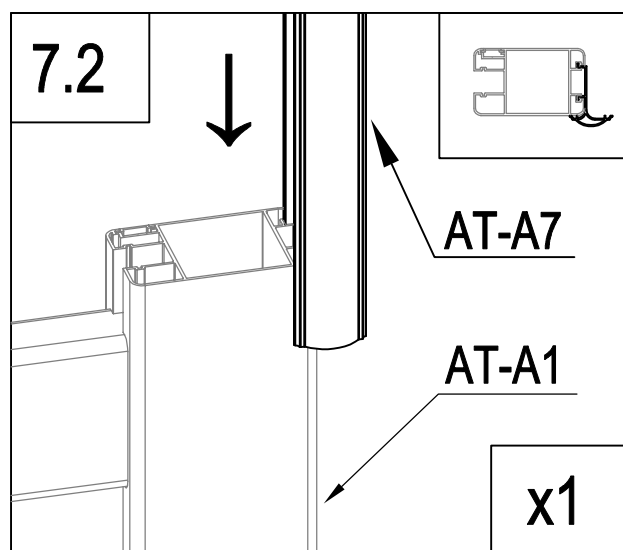
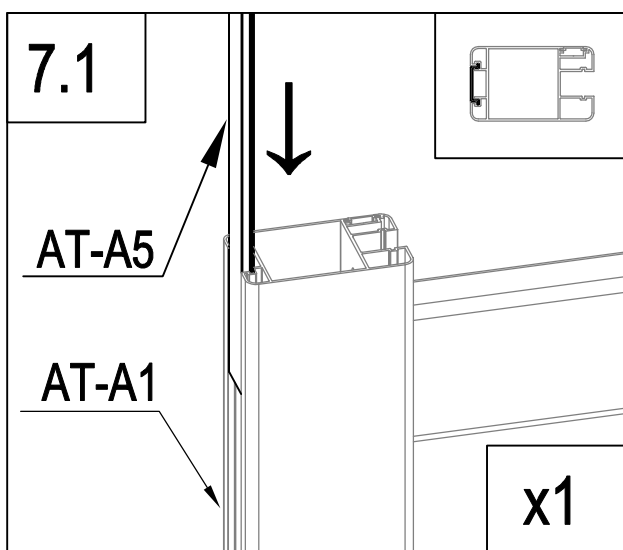
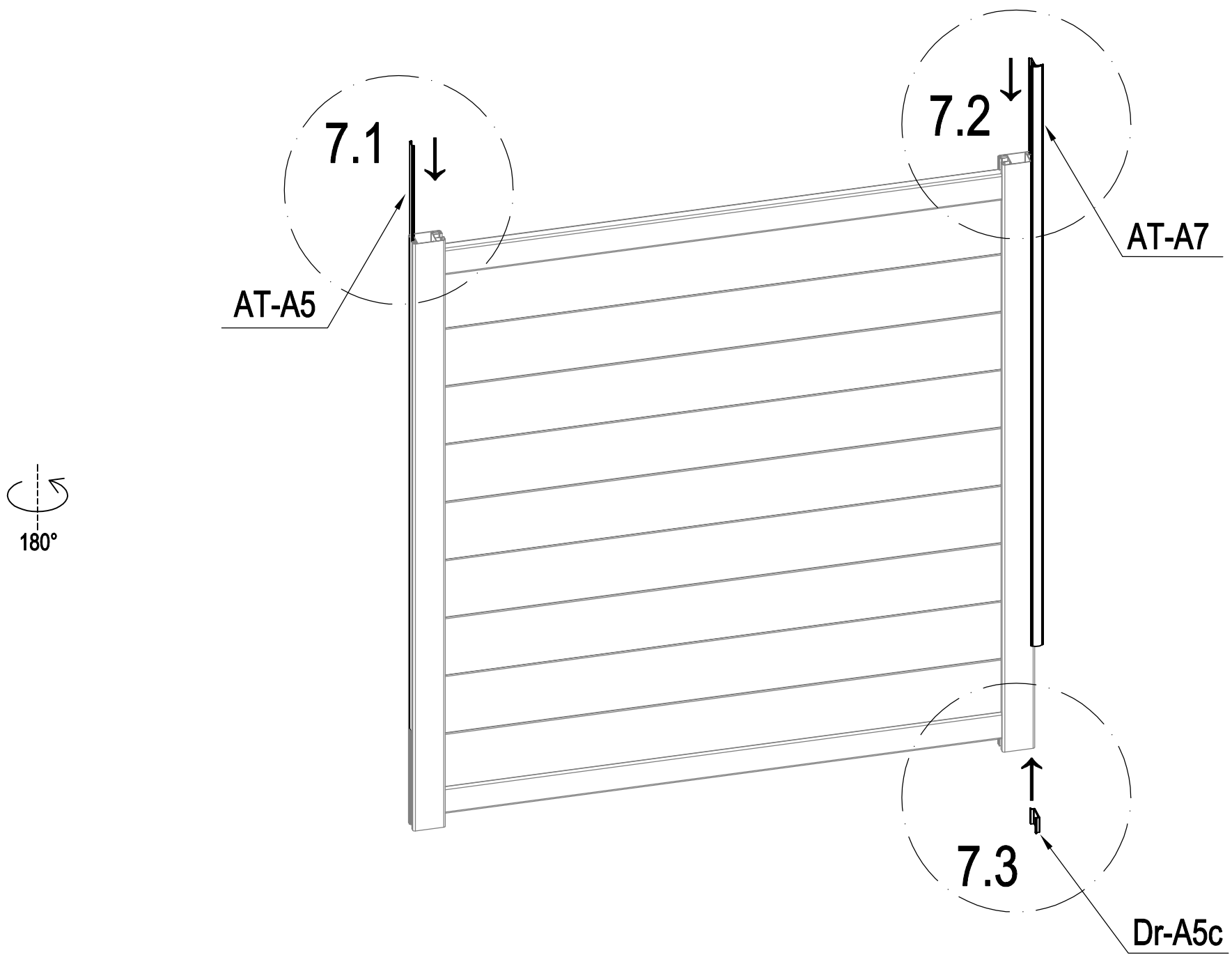
A=B


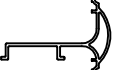


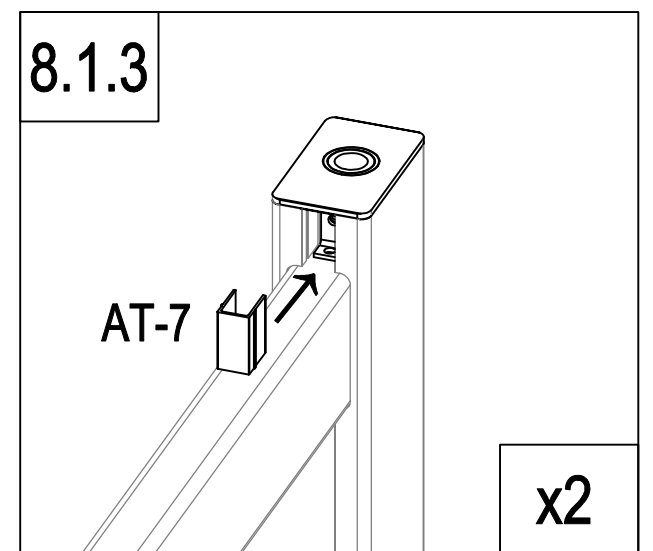
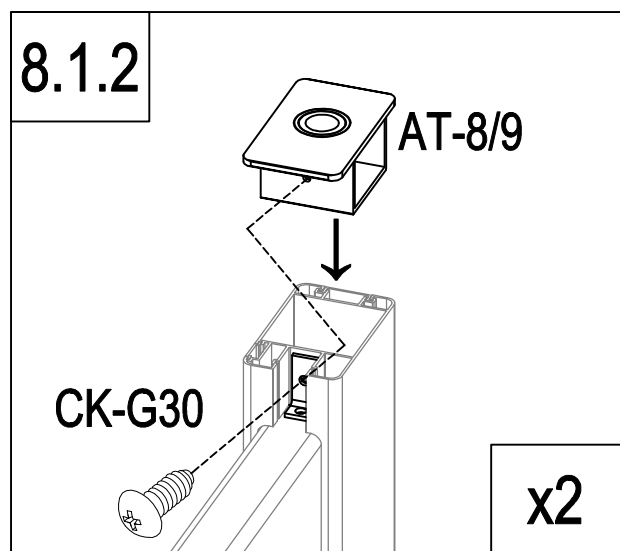
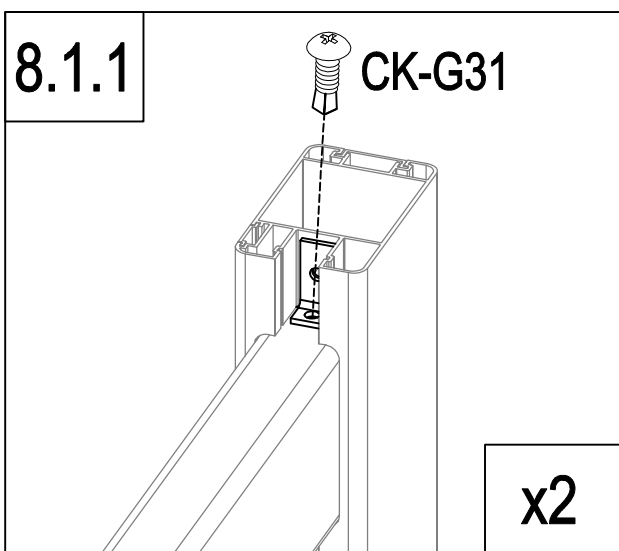
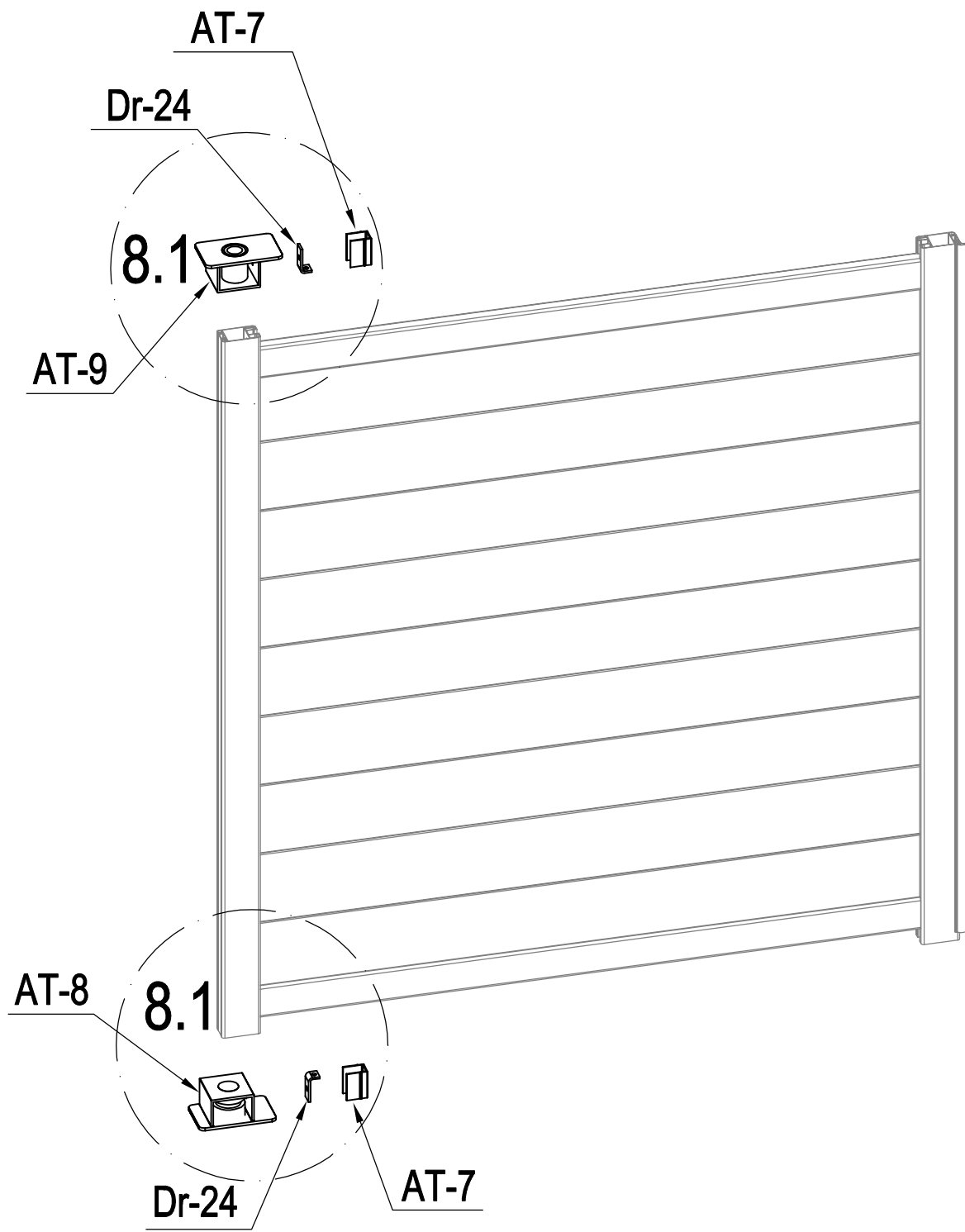
	CK-G36	36
---	--------	----

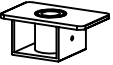
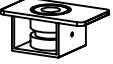





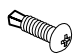
	AT-A11	2
---	--------	---

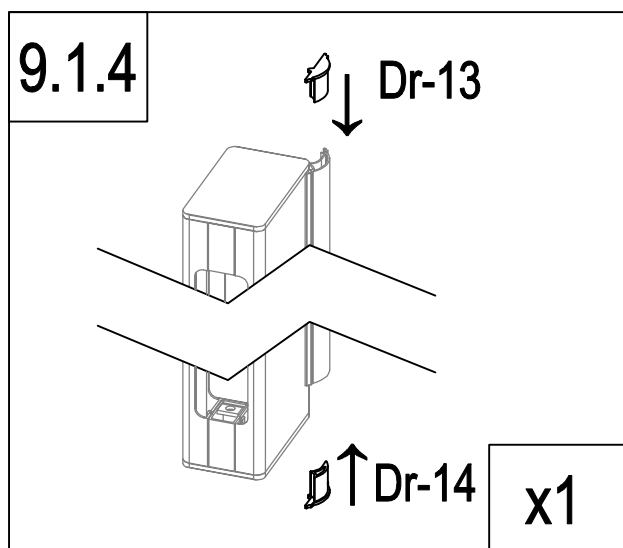
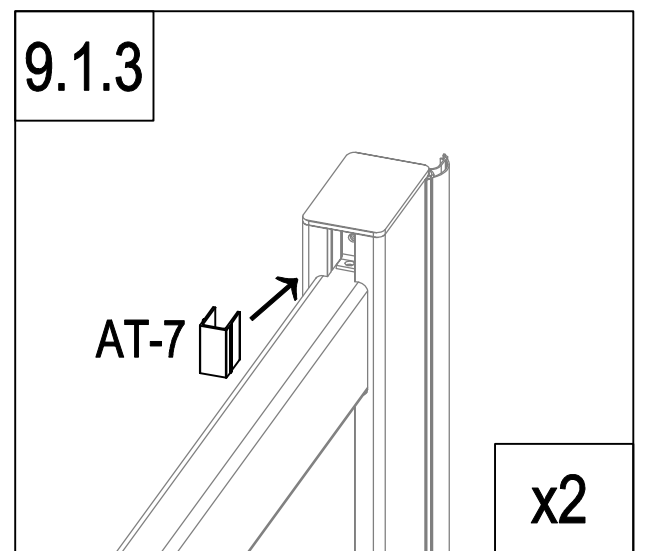
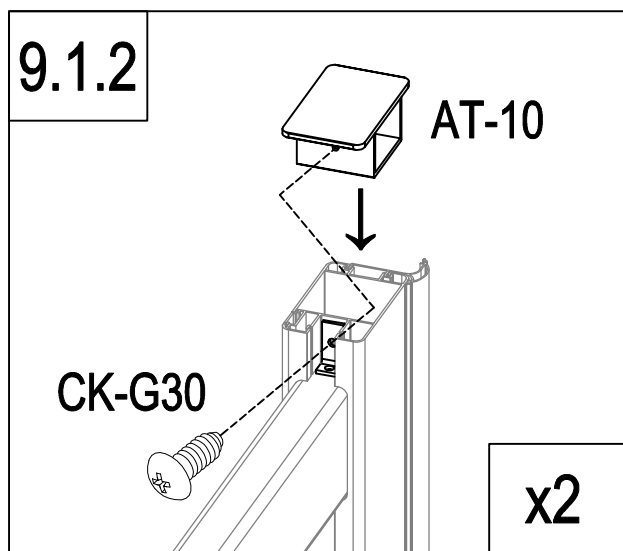
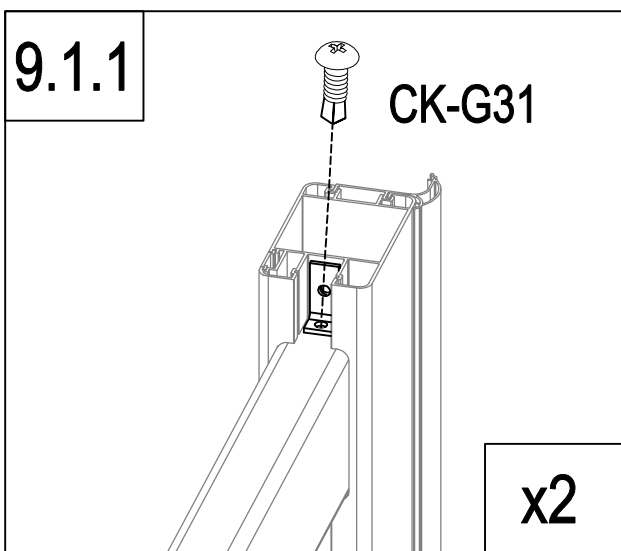
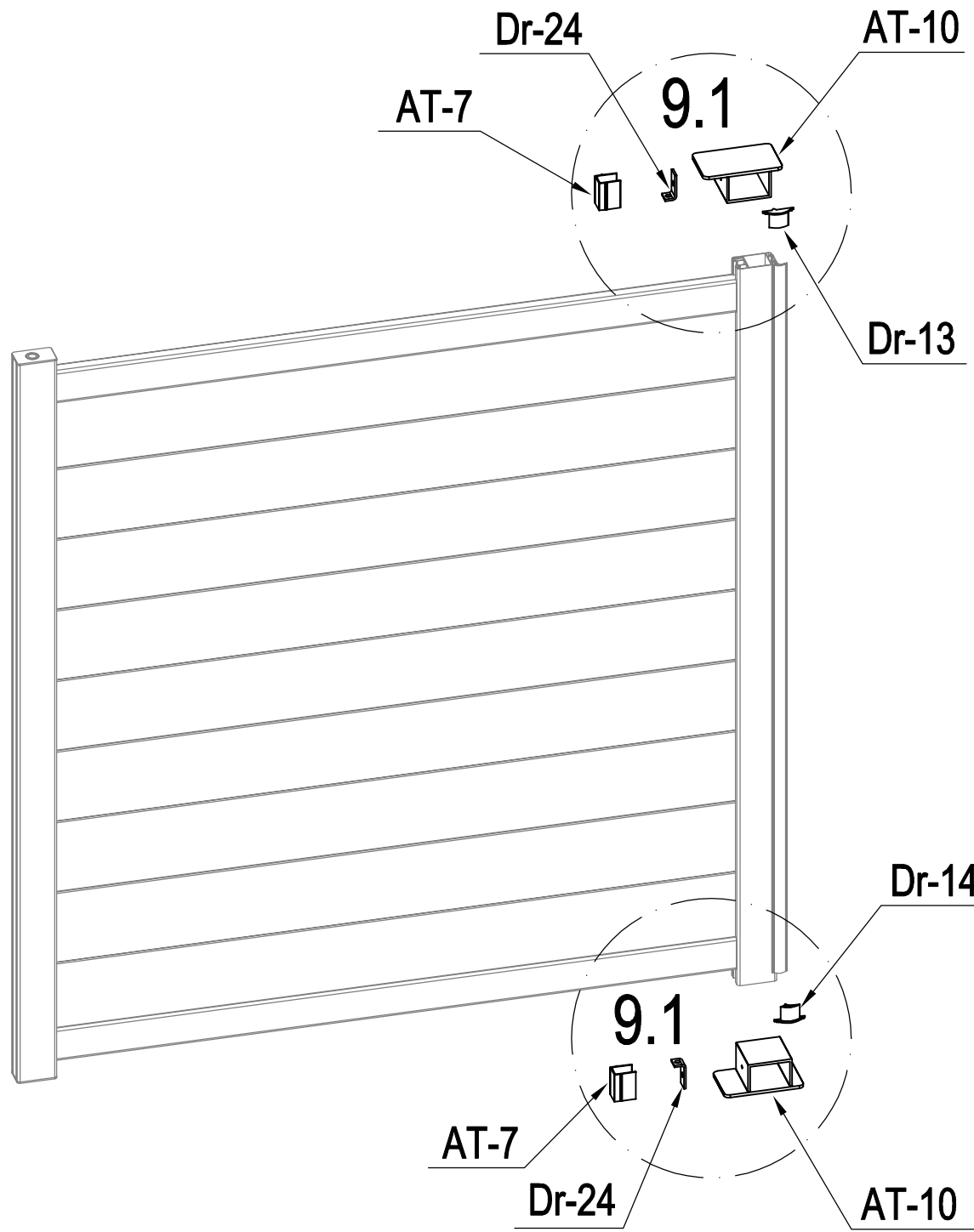


	AT-A5	1
	Dr-A5c	1
	AT-A7	1



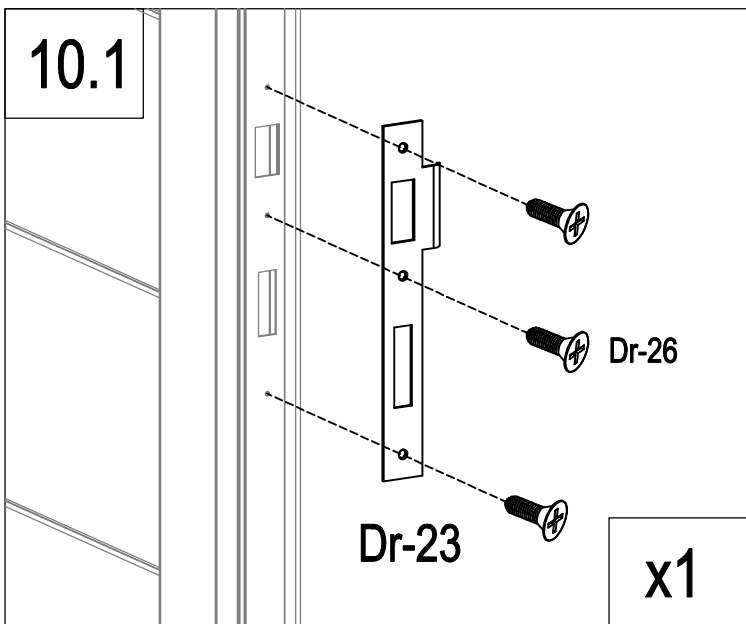
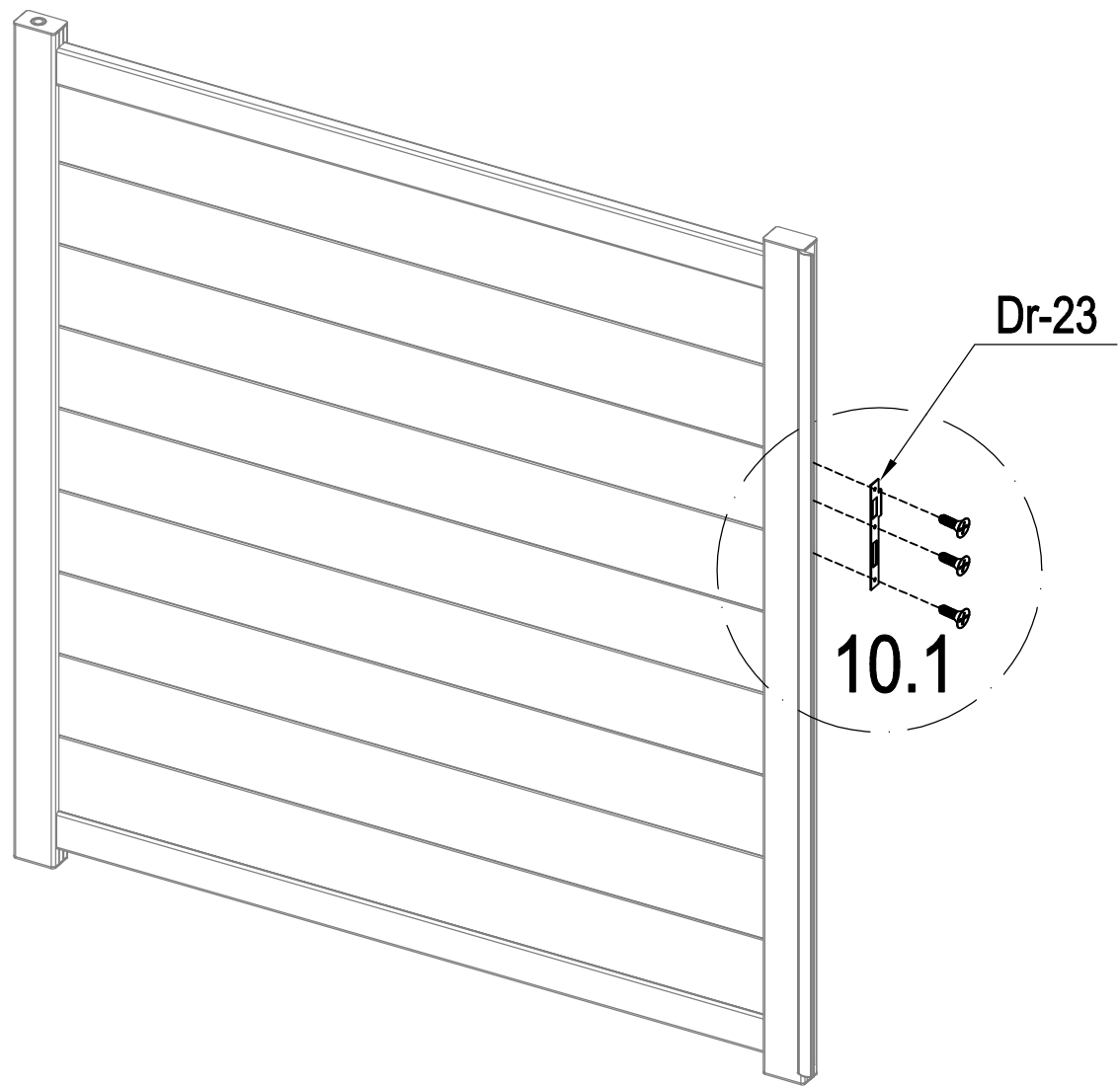
	AT-8	1
	AT-9	1
	Dr-24	2

	AT-7	2
	CK-G30	2
	CK-G31	2

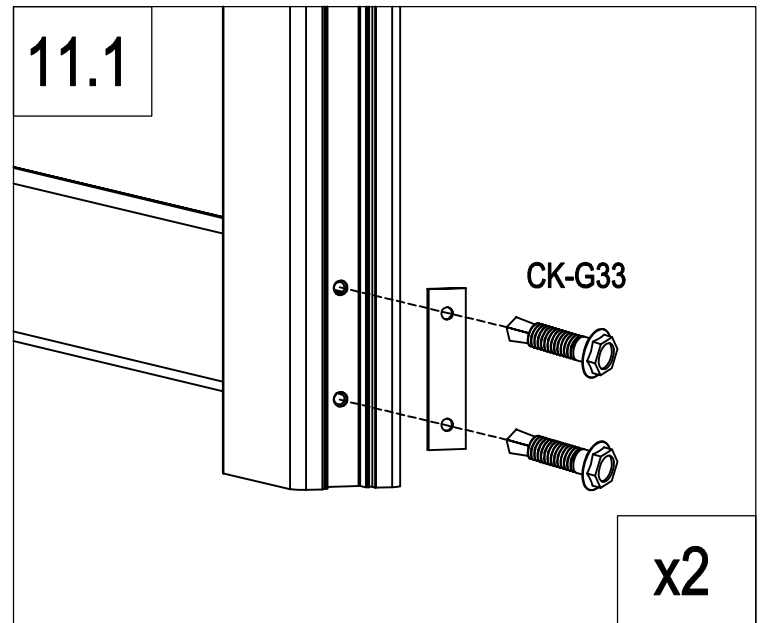
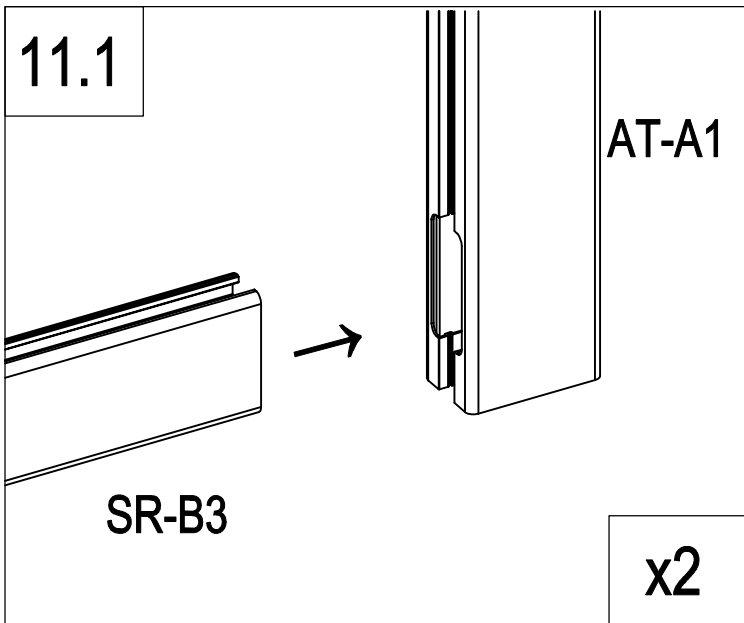
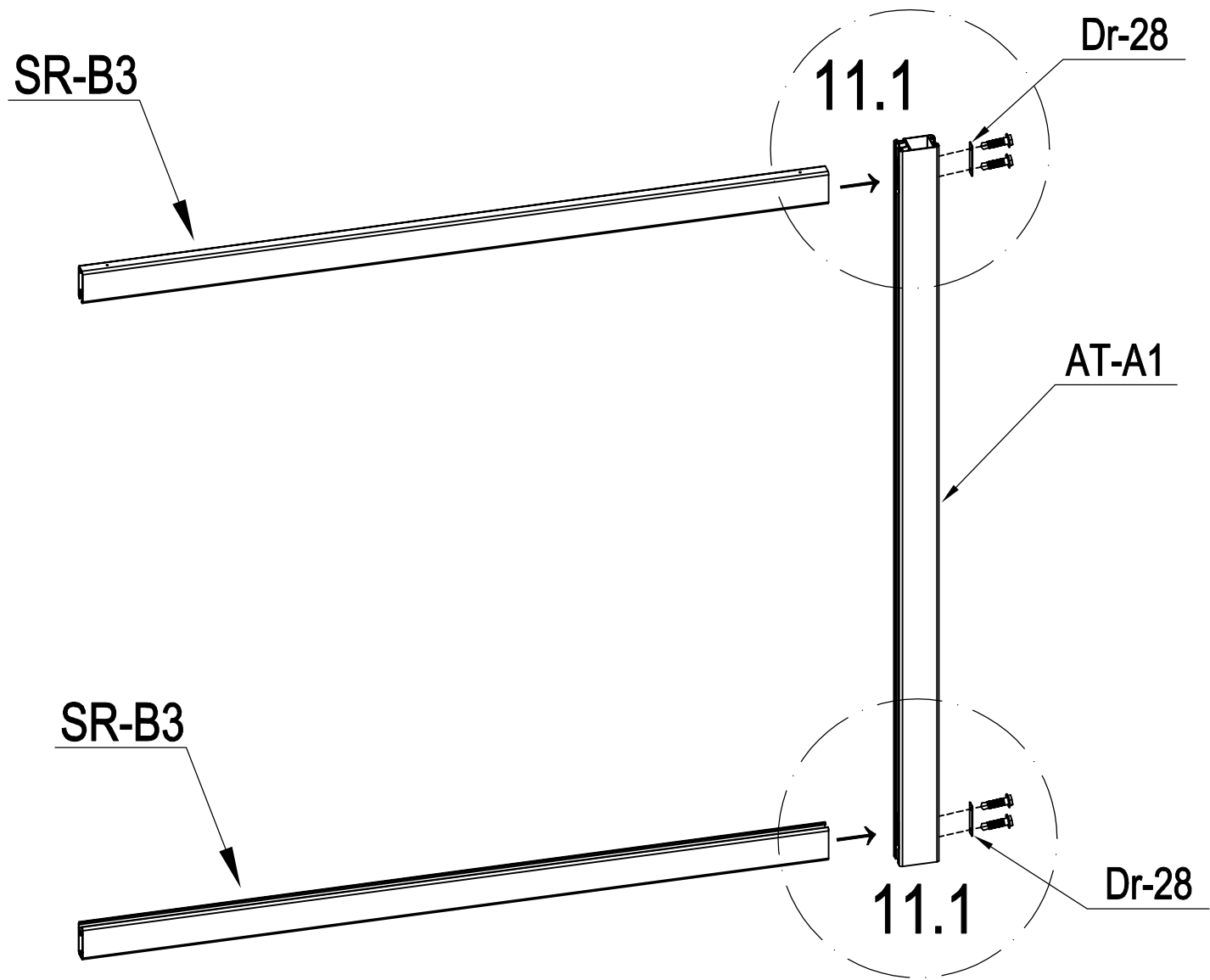


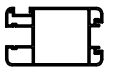
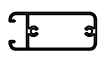


	Dr-14	1
	CK-G30	2
	CK-G31	2

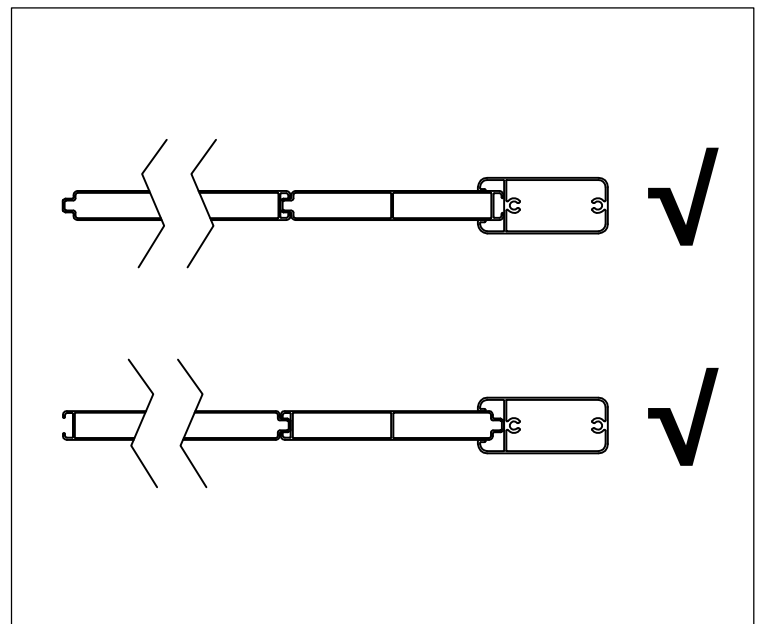
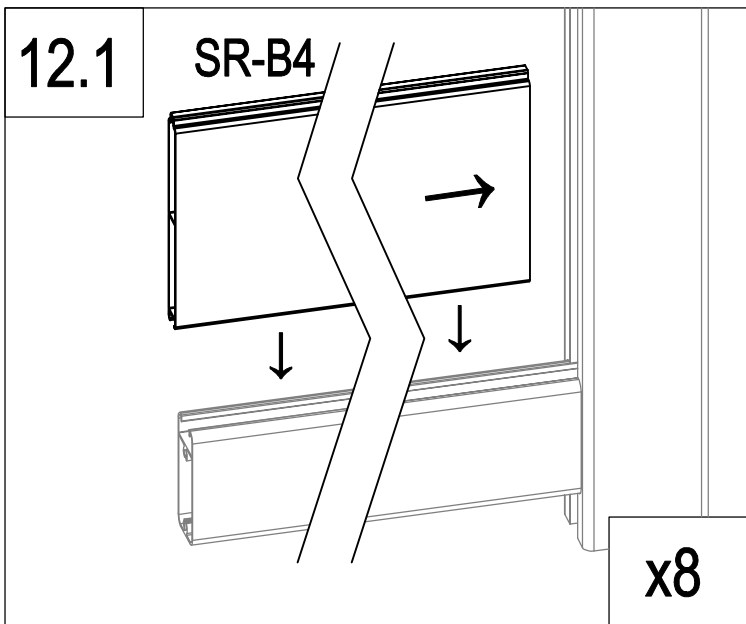
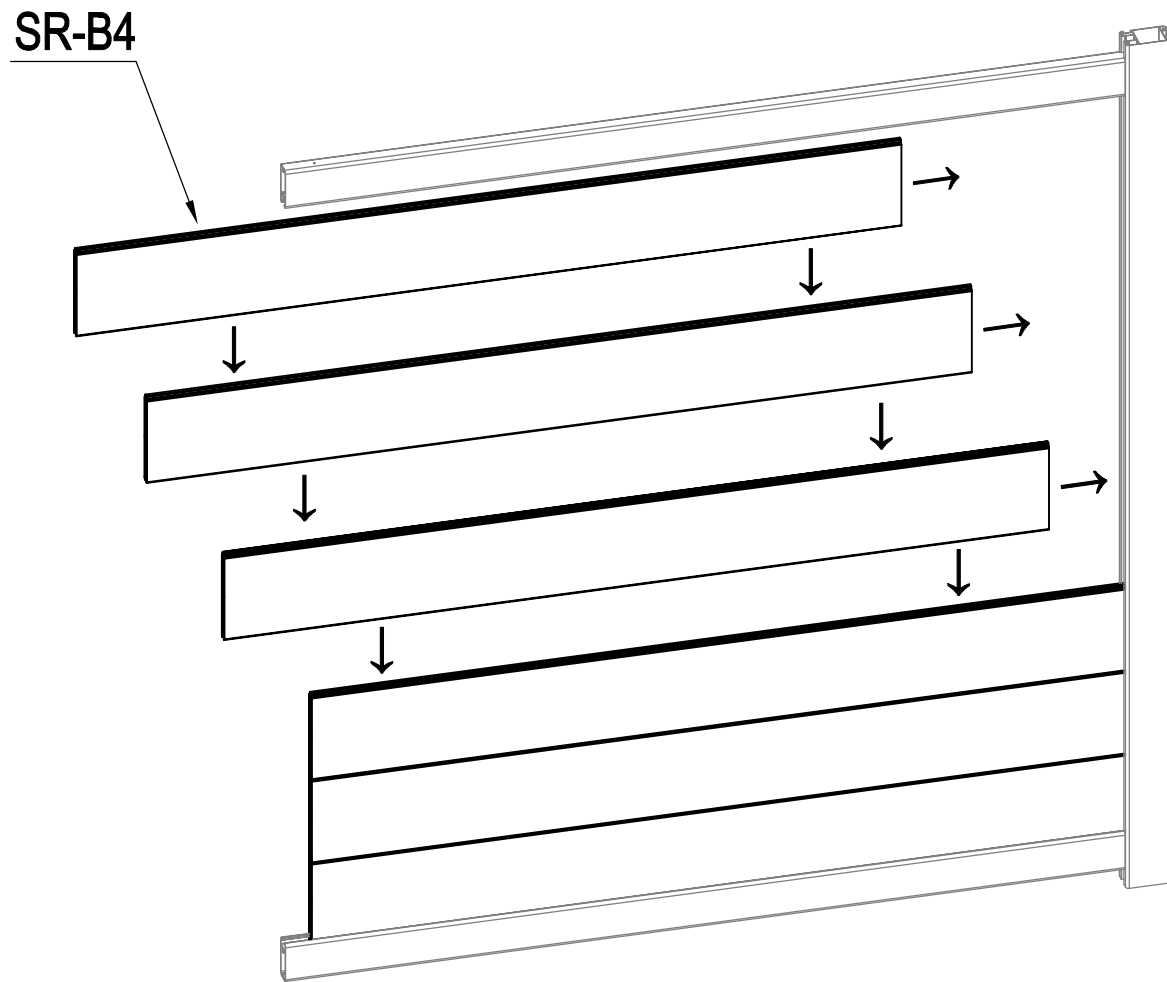
	AT-10	2
	Dr-24	2
	AT-7	2
	Dr-13	1



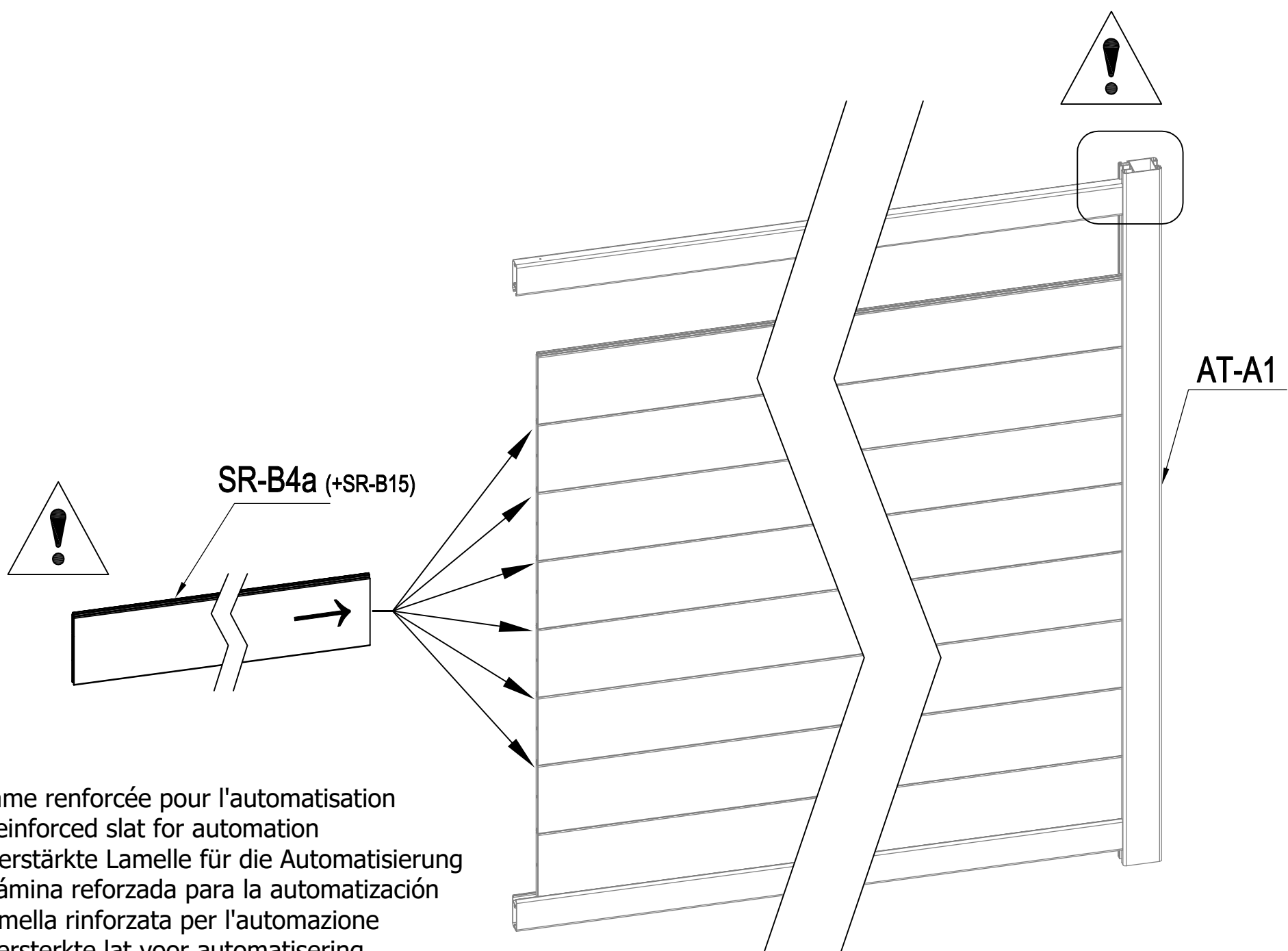
	Dr-23	1
	Dr-26	3



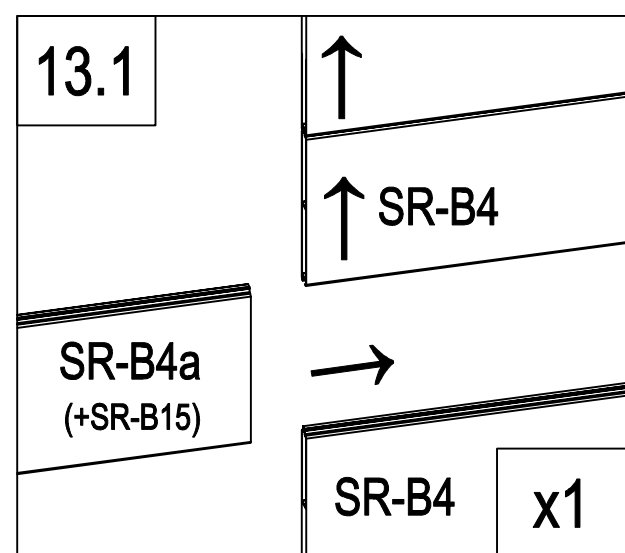
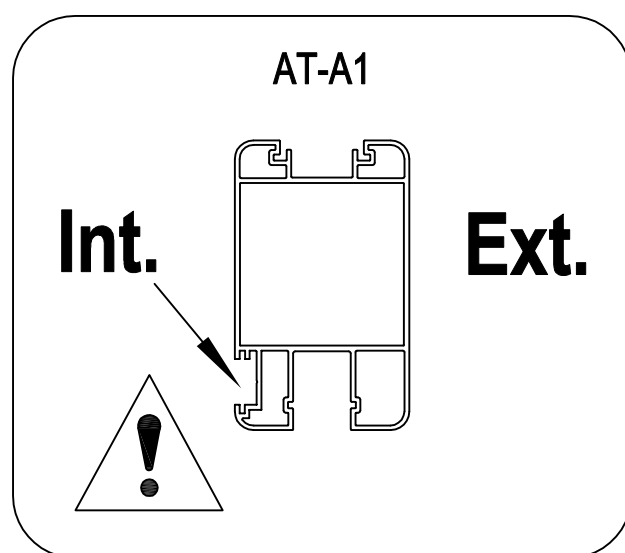
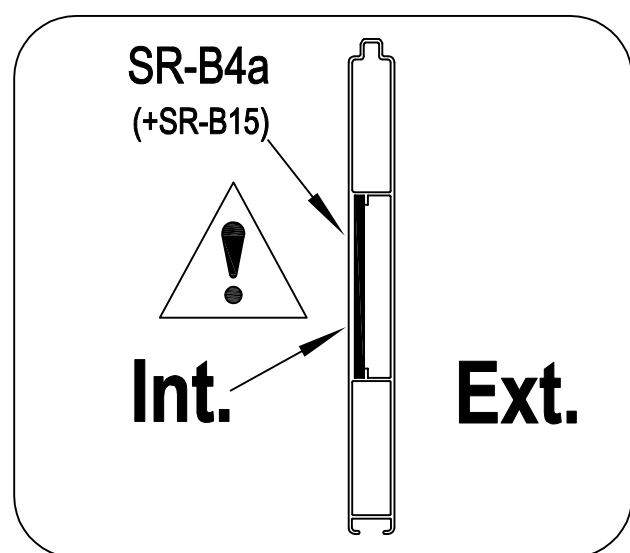
	AT-A1	1
	SR-B3	2
	Dr-28	2
	CK-G33	4



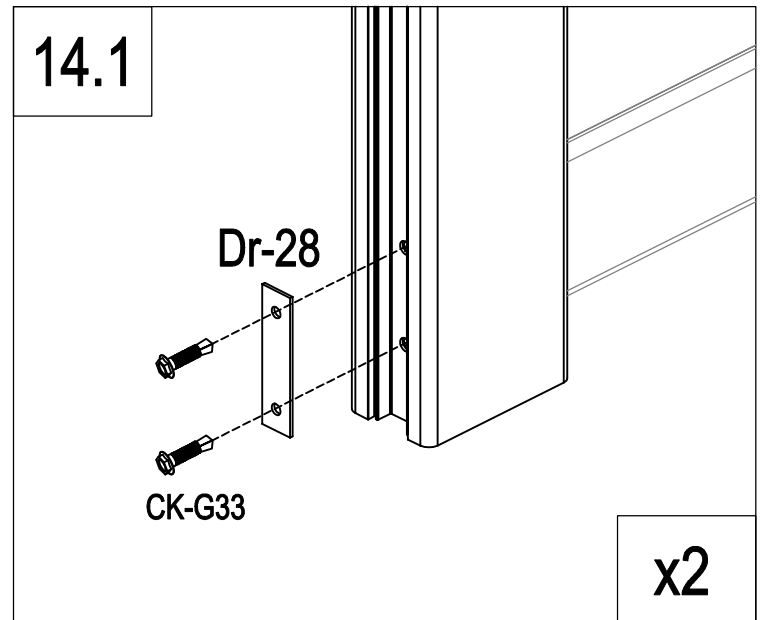
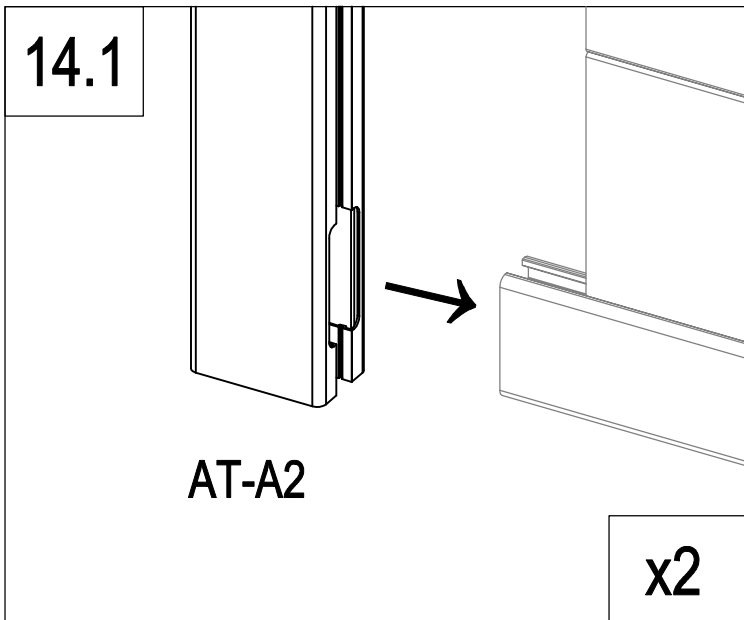
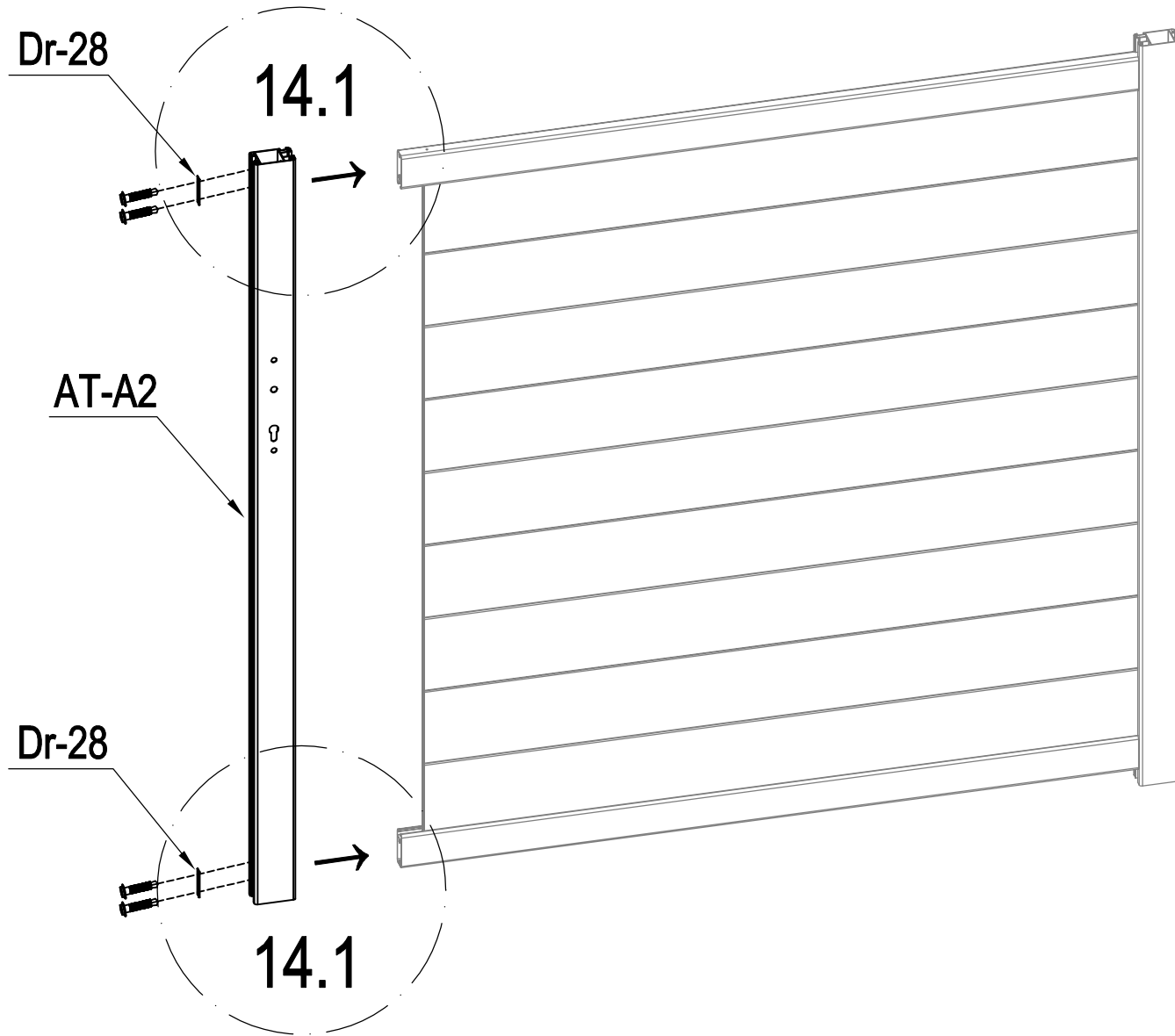
	SR-B4	8
---	-------	---



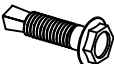


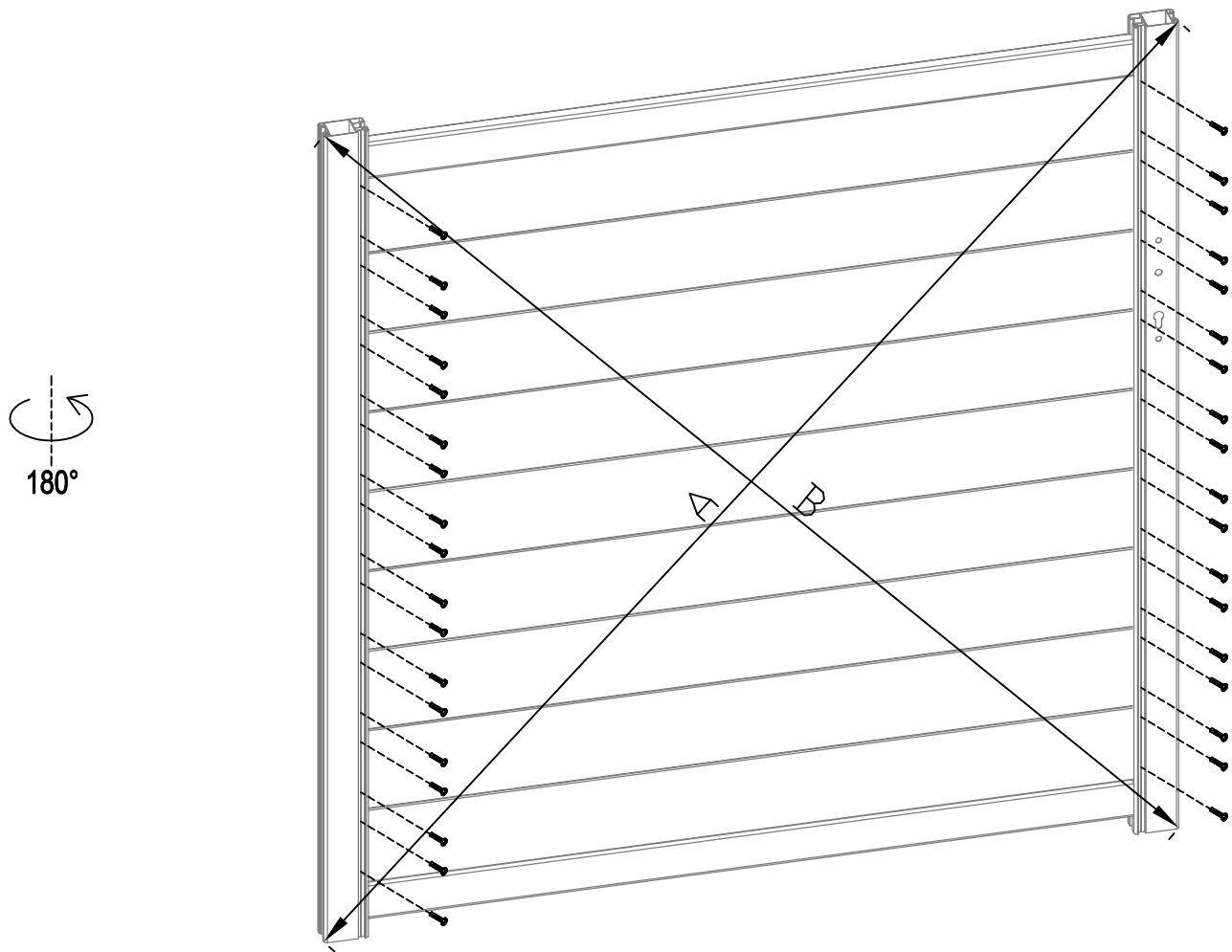
FR: lame renforcée pour l'automatisation
 EN: reinforced slat for automation
 DE: verstärkte Lamelle für die Automatisierung
 ES: Lámina reforzada para la automatización
 IT: lamella rinforzata per l'automazione
 NL: versterkte lat voor automatisering
 PT: ripa reforçada para automação
 PL: wzmocniona listwa do automatyzacji



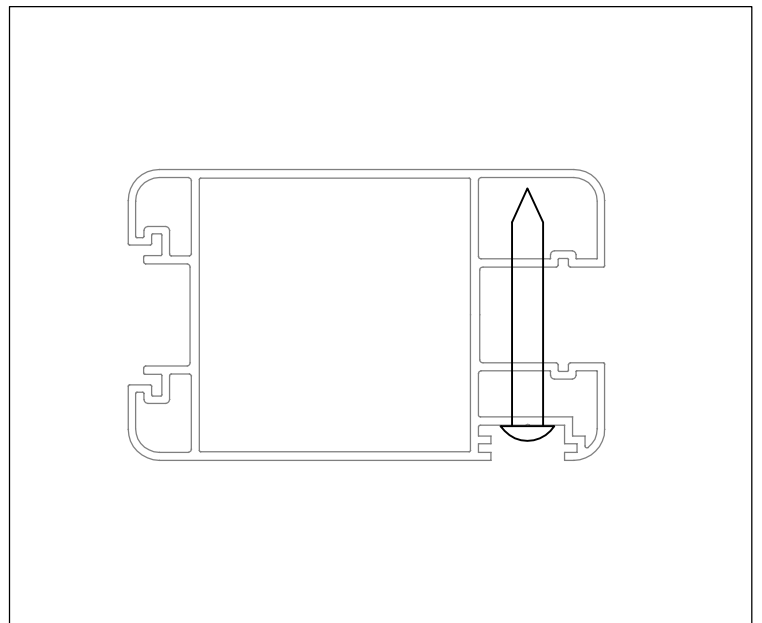
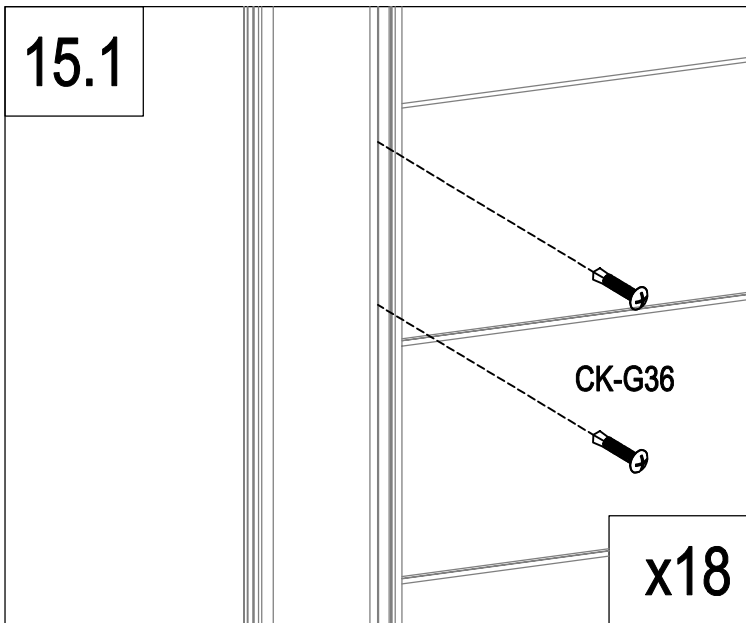
	SR-B4a (+SR-B15)	1
--	------------------	---



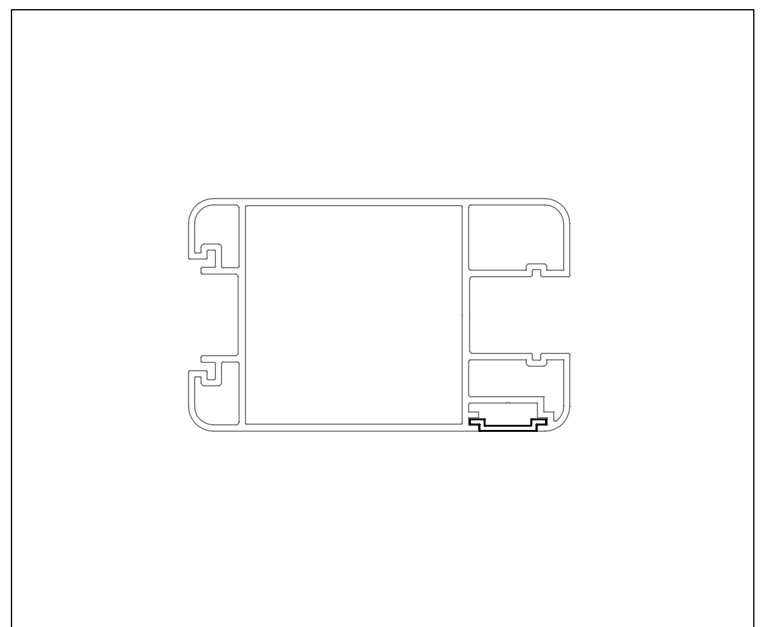
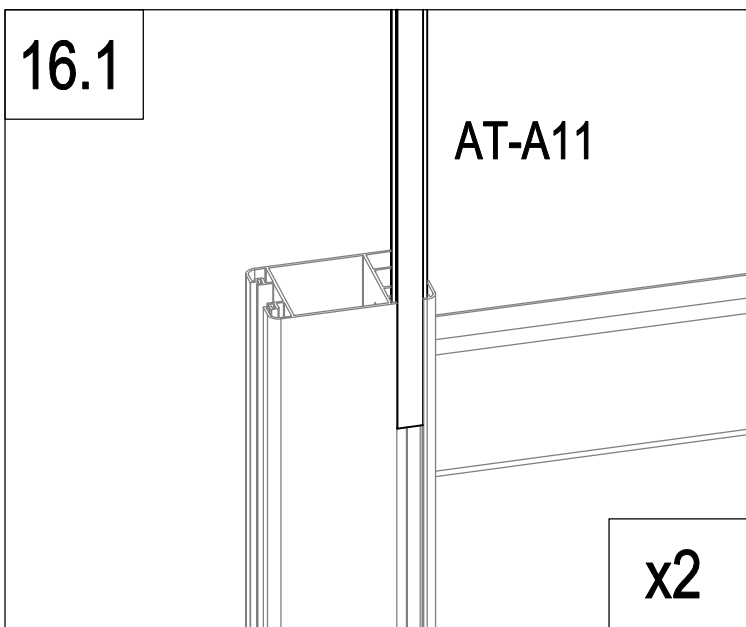
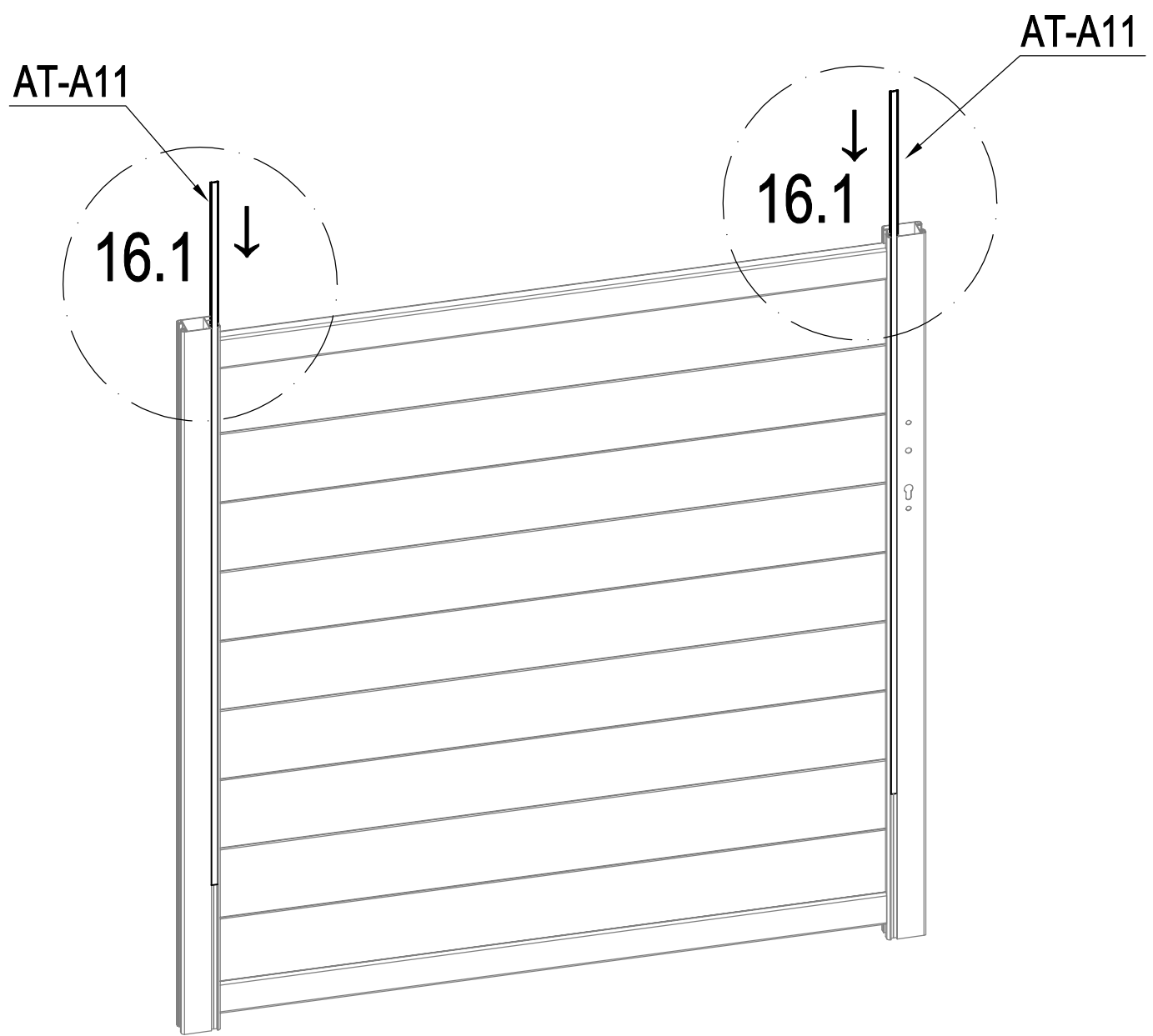
	AT-A2	1
	Dr-28	2
	CK-G33	4

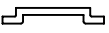


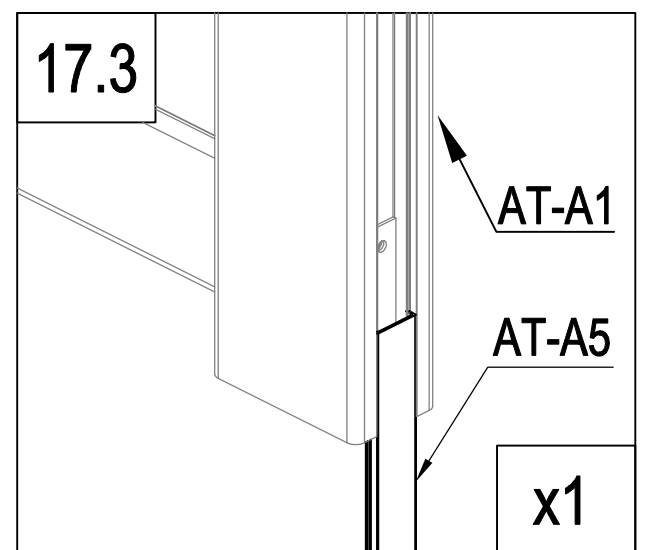
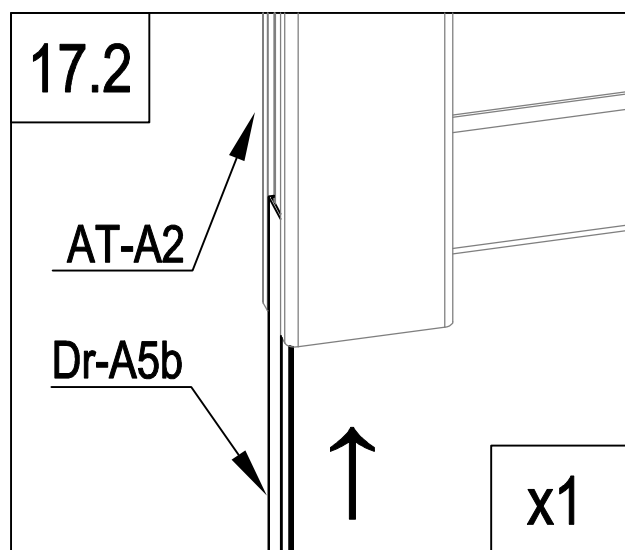
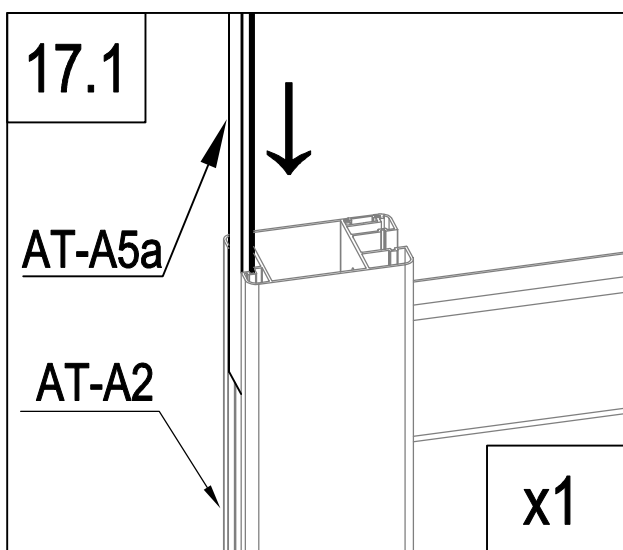
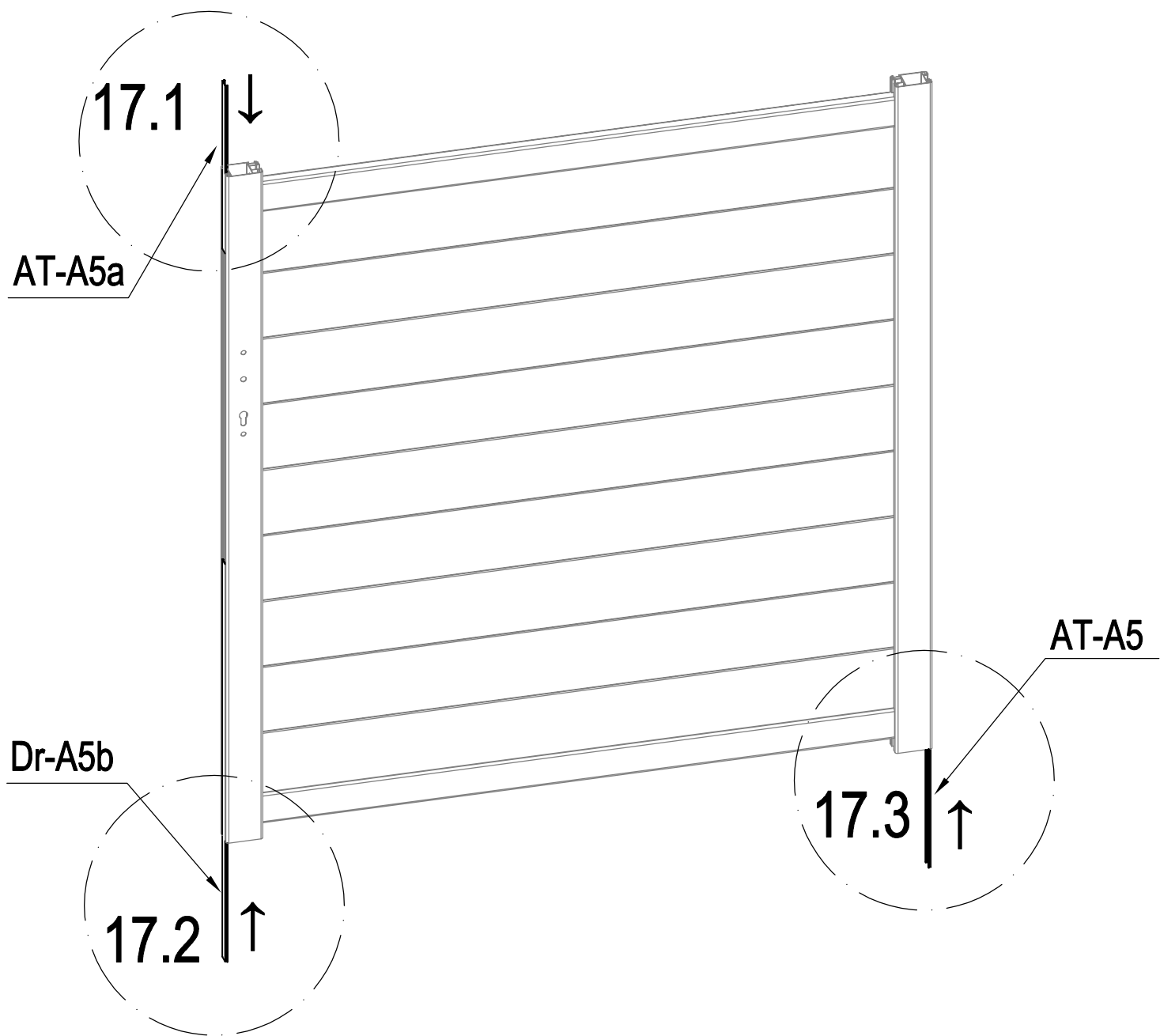
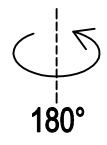
A=B



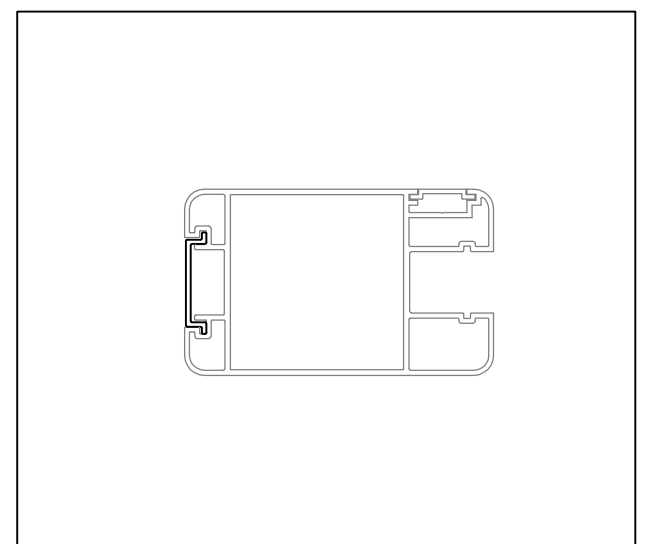
	<p>CK-G36</p>	<p>36</p>
---	---------------	-----------

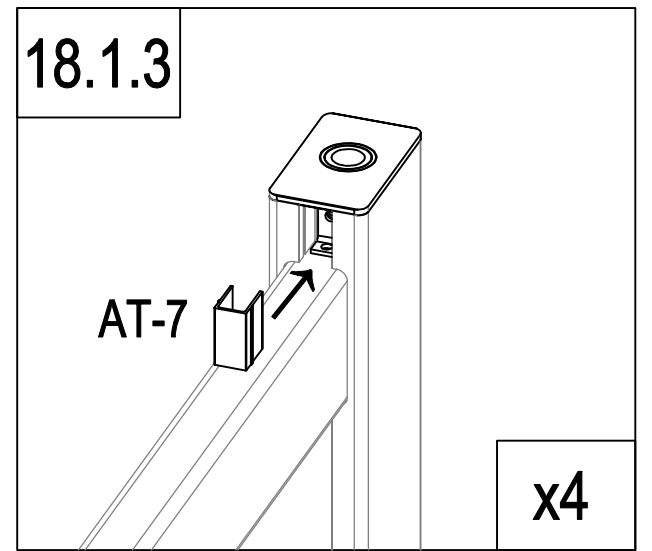
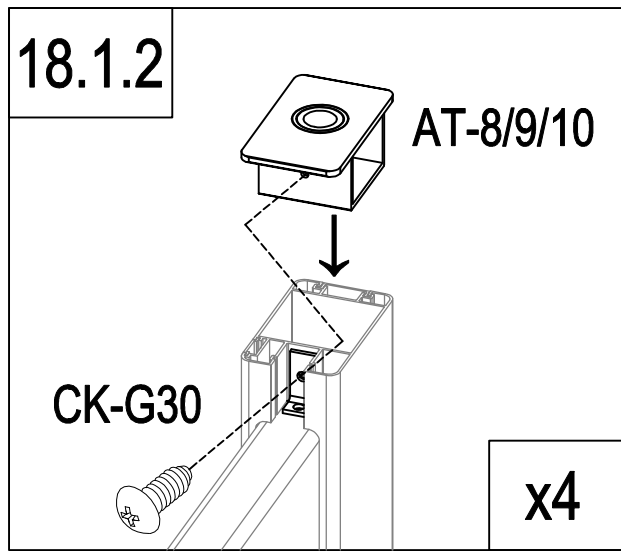
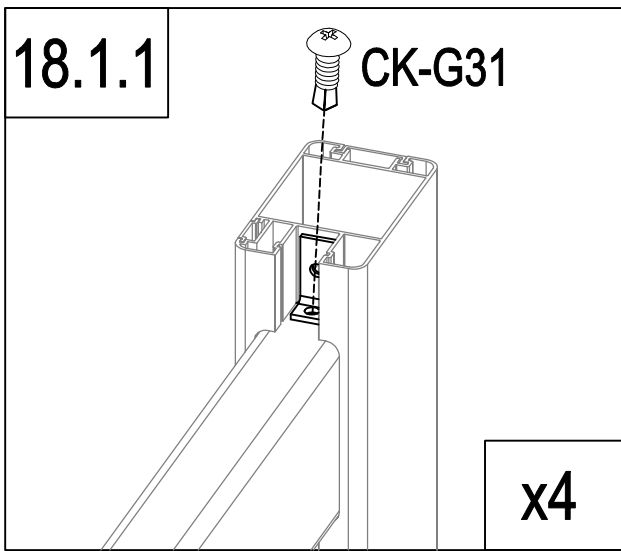
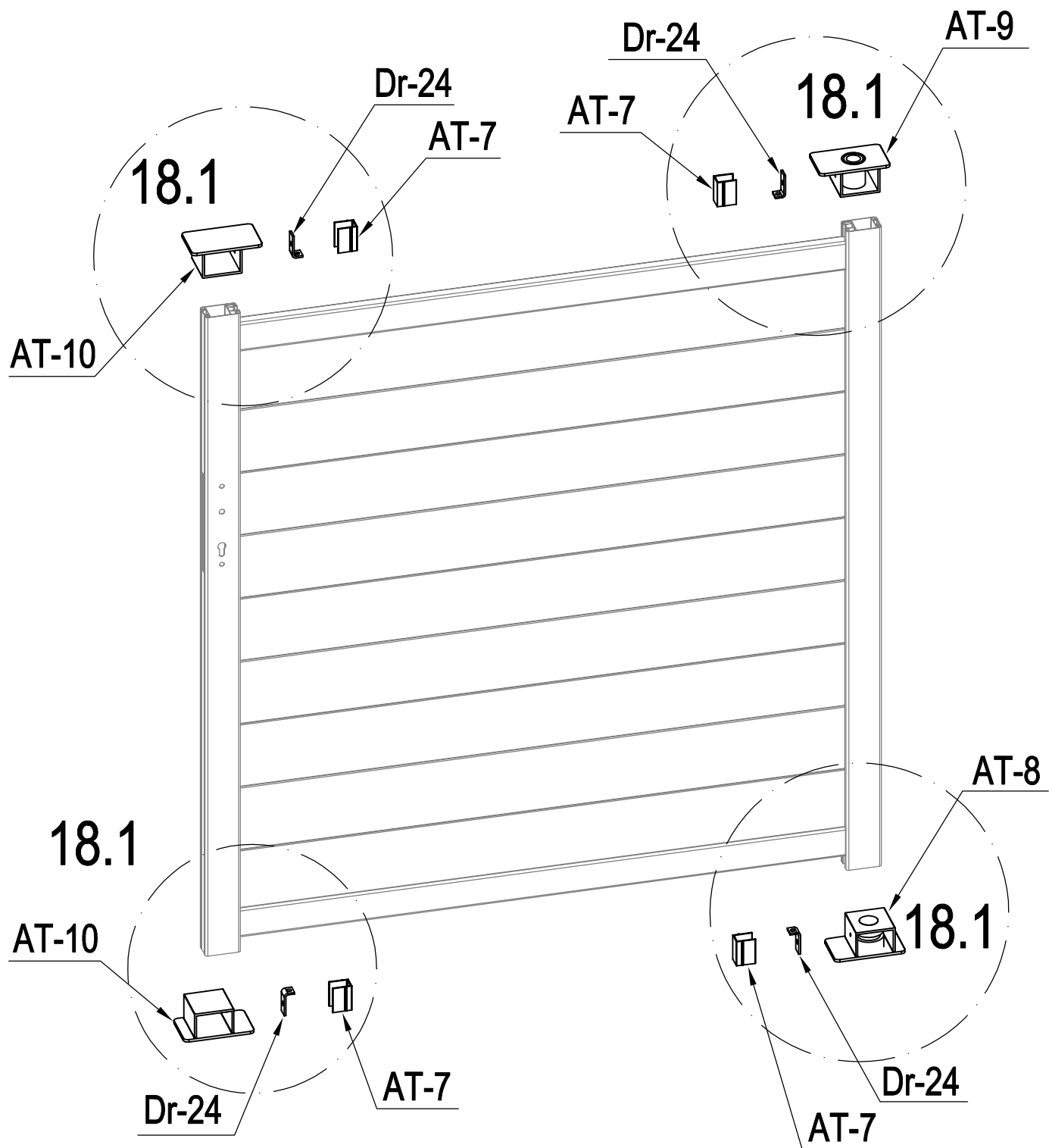


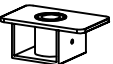



	AT-A11	2
---	--------	---



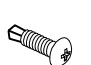


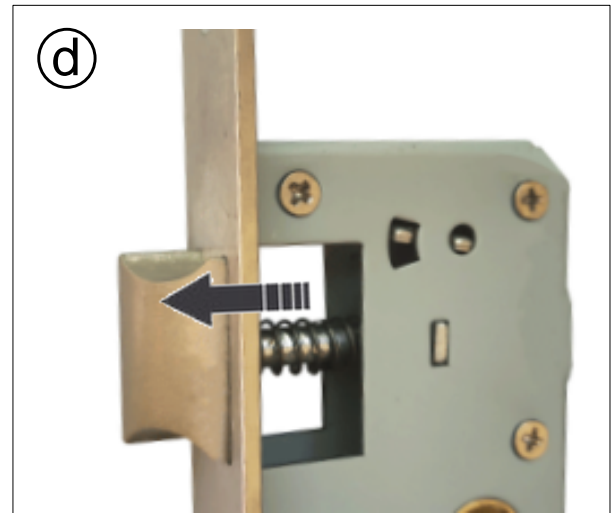
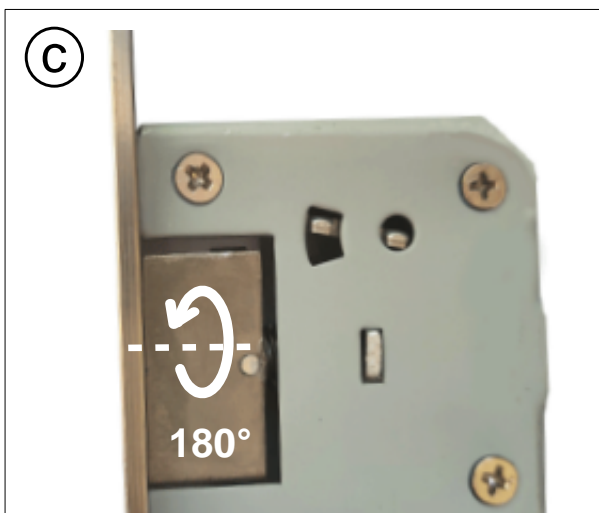
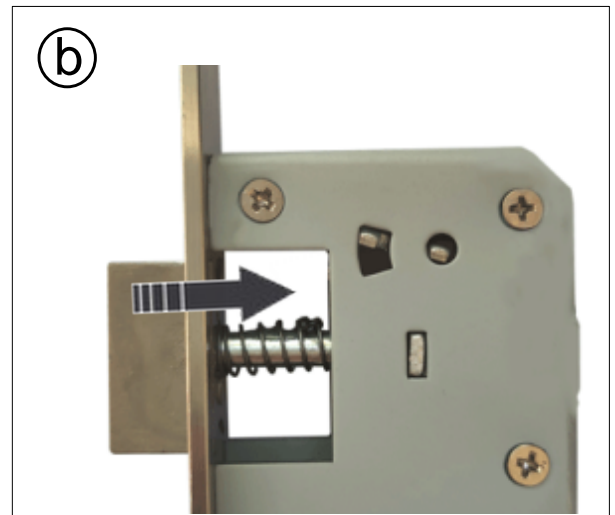
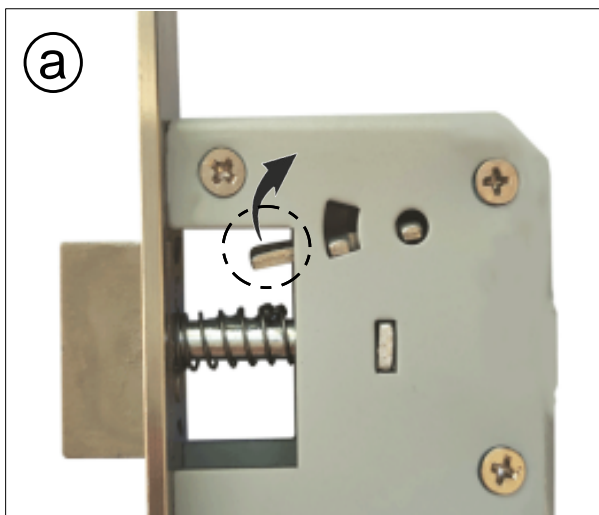
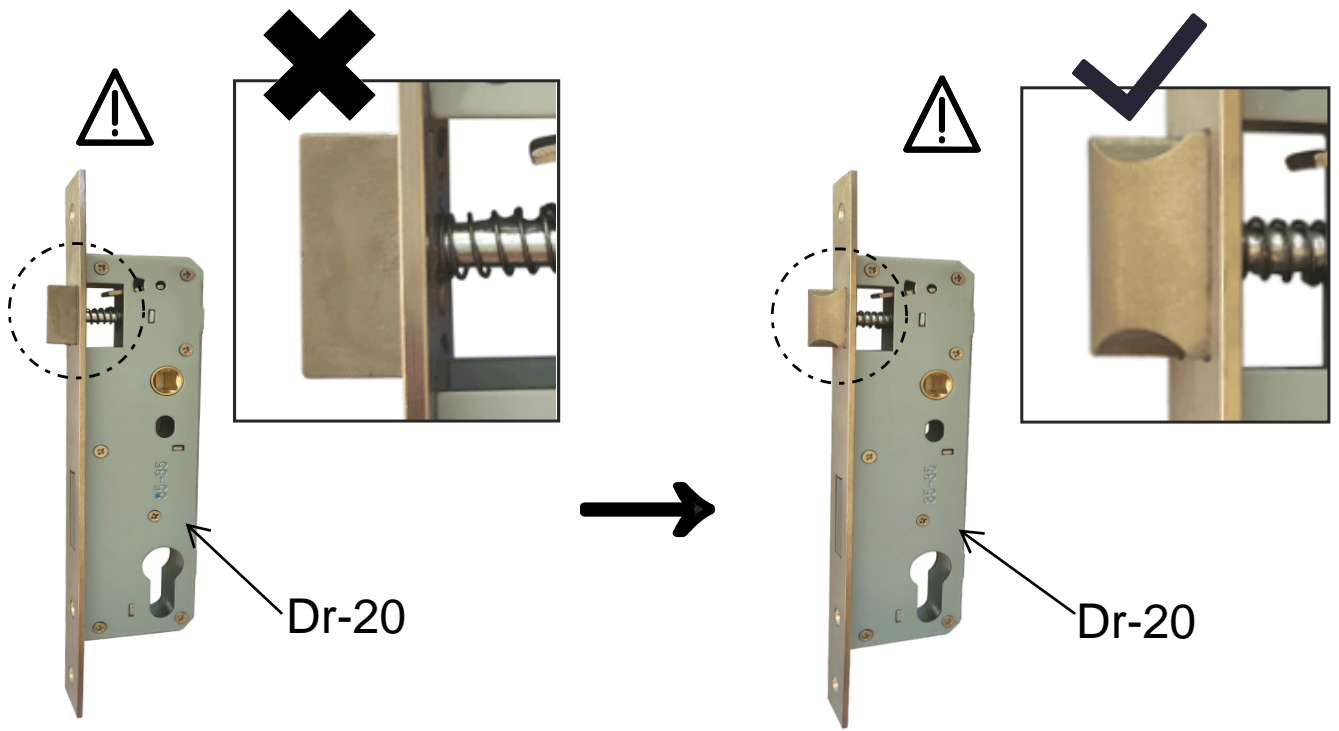
	AT-A5	1
	AT-A5a	1
	Dr-A5b	1

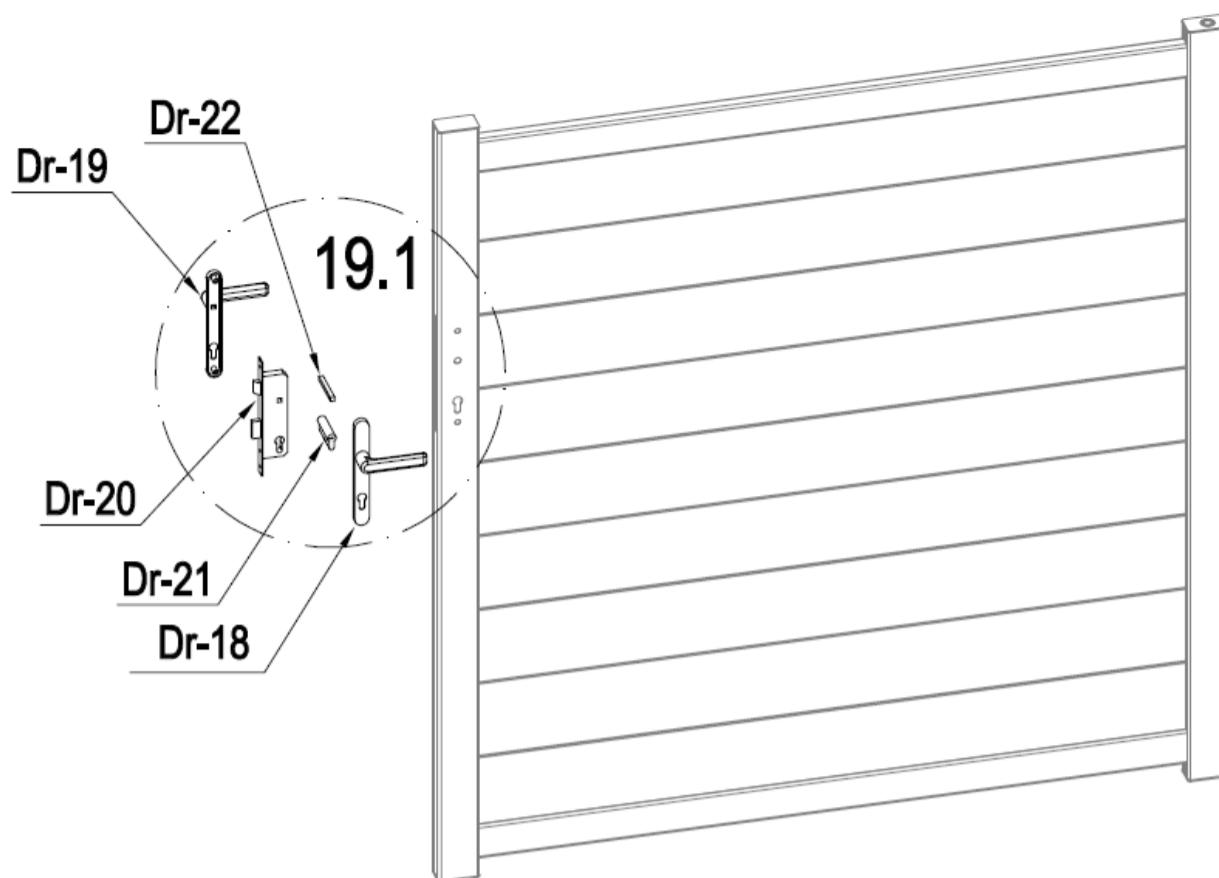




	AT-8	1
	AT-9	1
	AT-10	2
	Dr-24	4

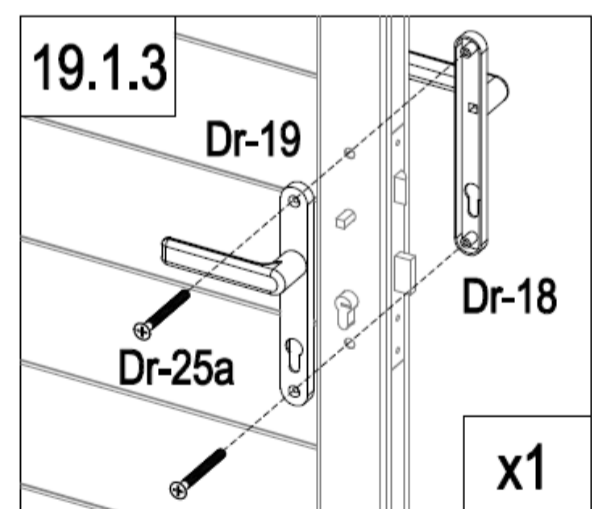
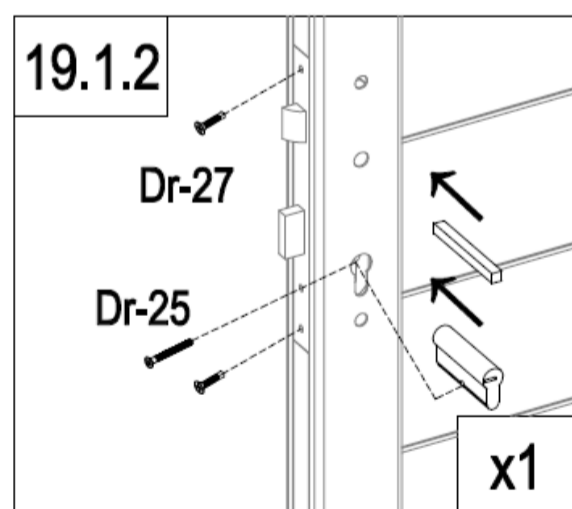
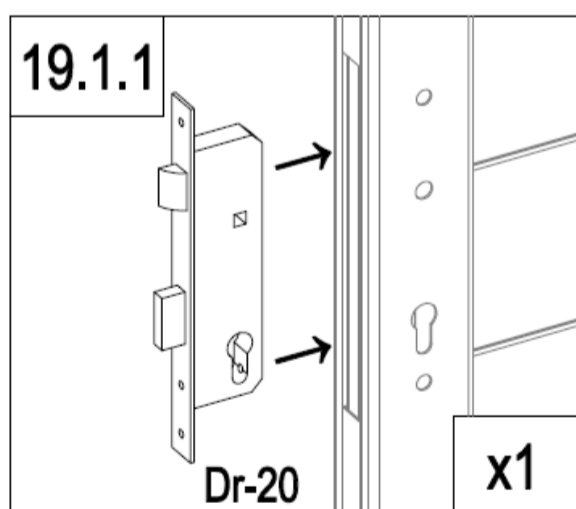
	AT-7	4
	CK-G30	4
	CK-G31	4





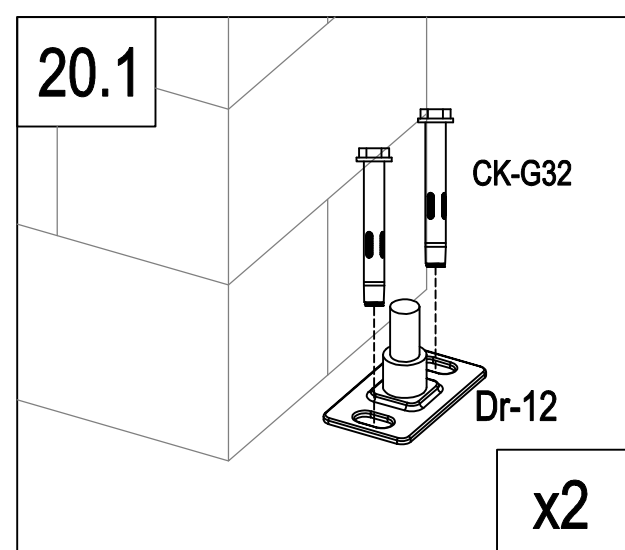
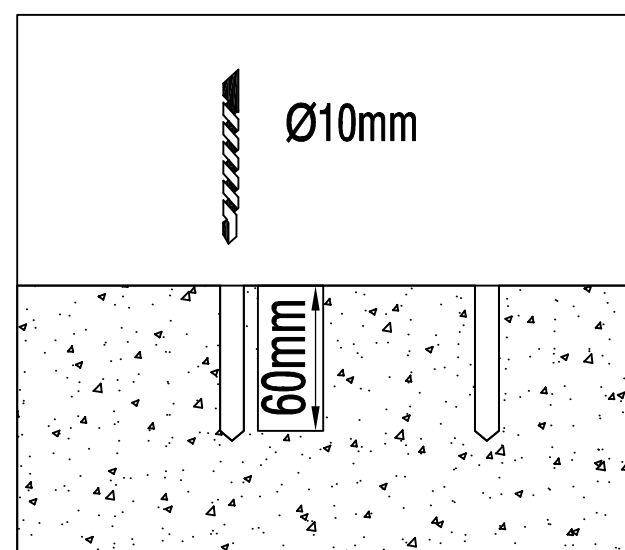
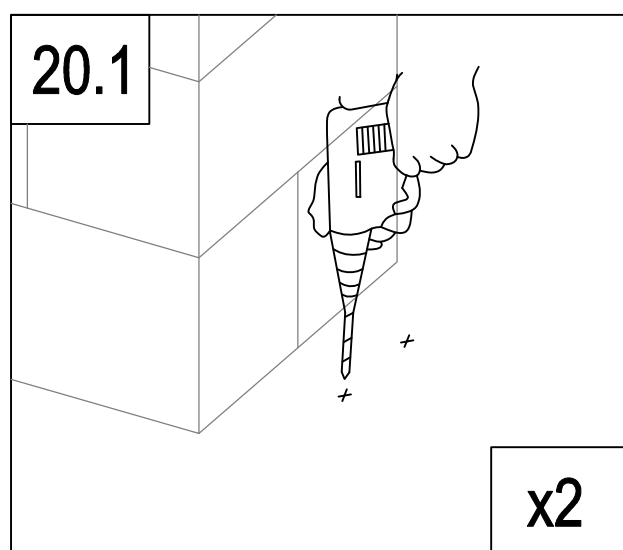
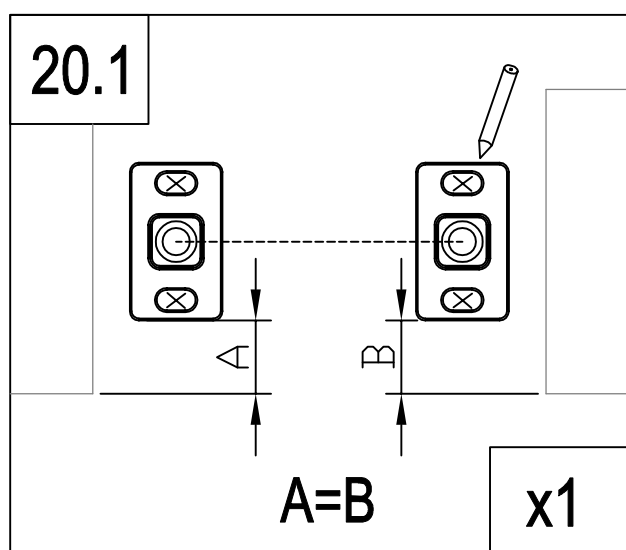
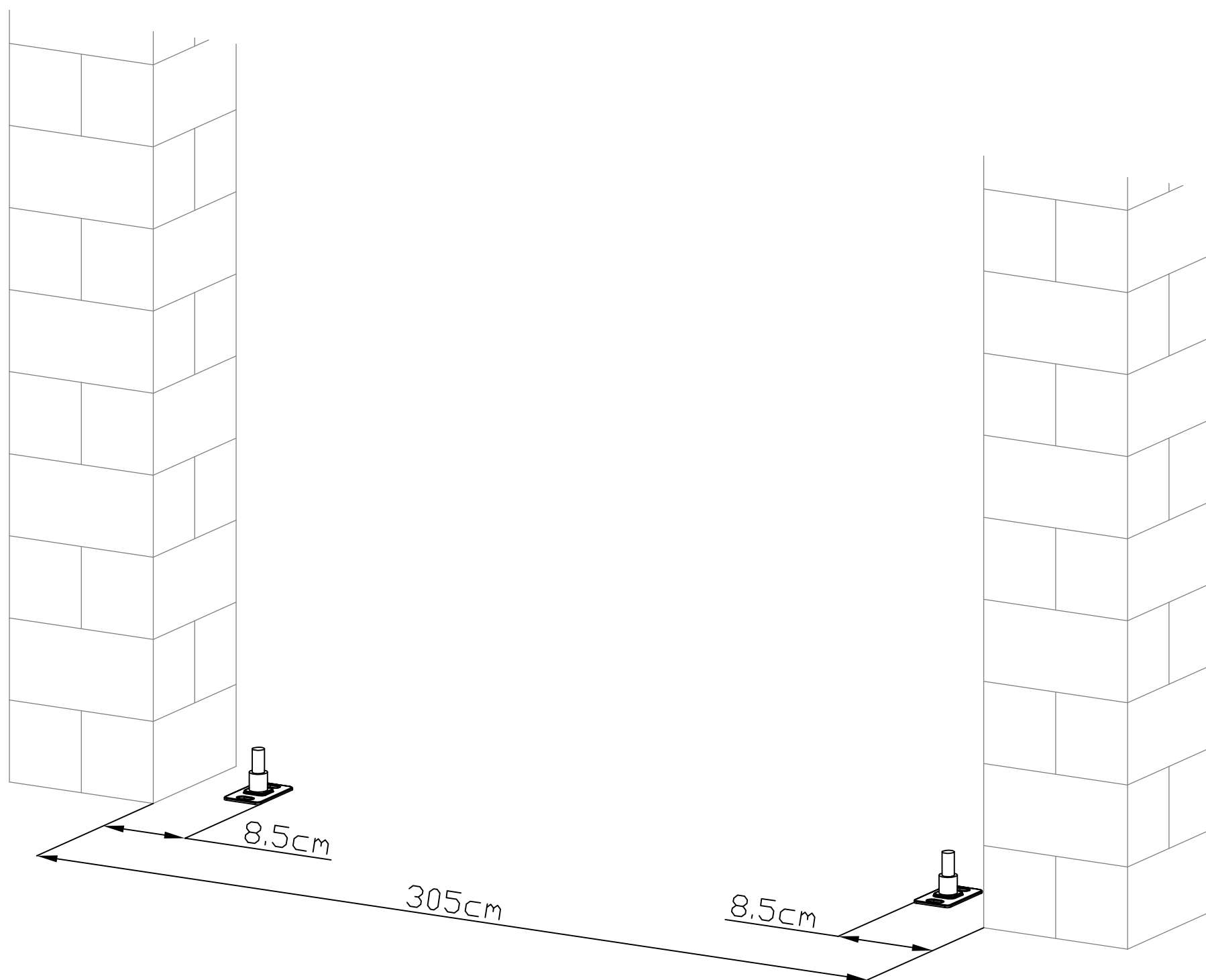
	Dr-20	1
	Dr-21	1

EN: If you will install the Automatic Gate Opener , do not install the Dr-20(lock body) and Dr-21(lock cylinder).
 FR: Si vous installez l'ouvre-porte automatique, n'installez pas le Dr-20 (corps de serrure) et le Dr-21 (cylindre de serrure).
 DE: Wenn Sie den automatischen Toröffner installieren, installieren Sie nicht den Dr-20 (Schlosskörper) und den Dr-21 (Schließzylinder).
 ES: Si va a instalar el abrepuertas automático, no instale el Dr-20 (cuerpo de la cerradura) y el Dr-21 (cilindro de la cerradura).
 PT: Se você for instalar o abridor de portão automático, não instale o Dr-20 (corpo da fechadura) e o Dr-21 (cilindro da fechadura).
 IT: Se si installa l'apricancello automatico, non installare il Dr-20 (corpo della serratura) e il Dr-21 (cilindro della serratura).
 NL: Als u de automatische poortopener installeert, installeer dan niet de Dr-20 (slotbehuizing) en Dr-21 (slotcilinder).
 PL: Jeśli zainstalujesz automat do otwierania bram, nie instaluj Dr-20 (korpus zamka) i Dr-21 (cylinder zamka).

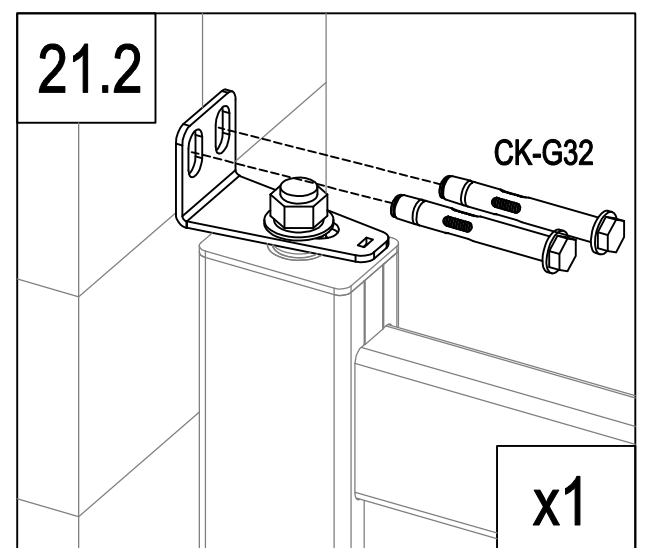
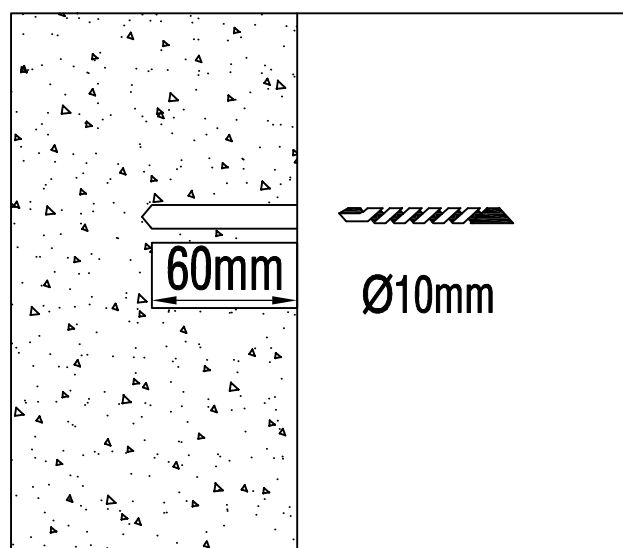
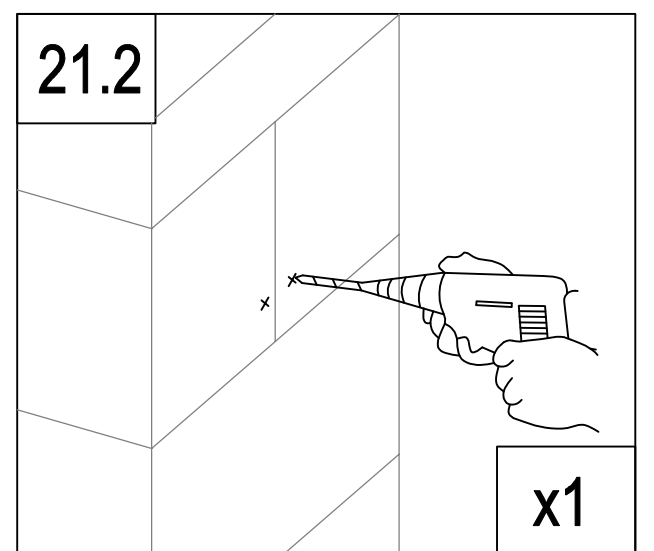
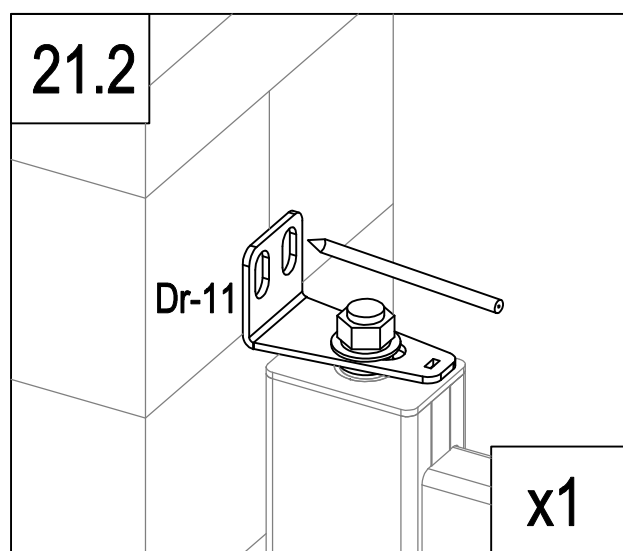
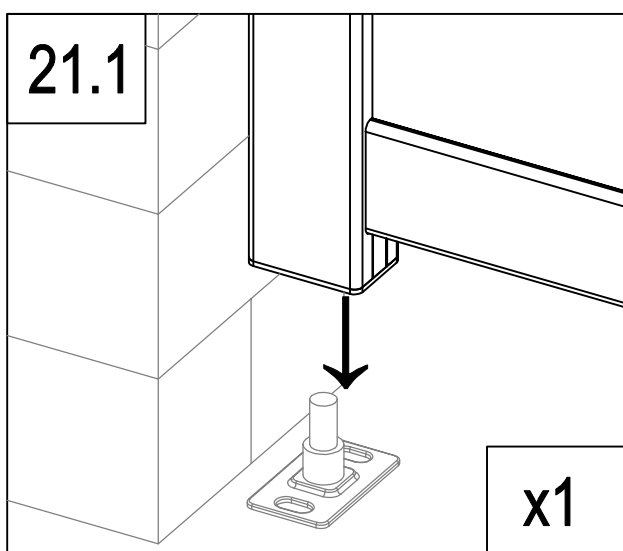
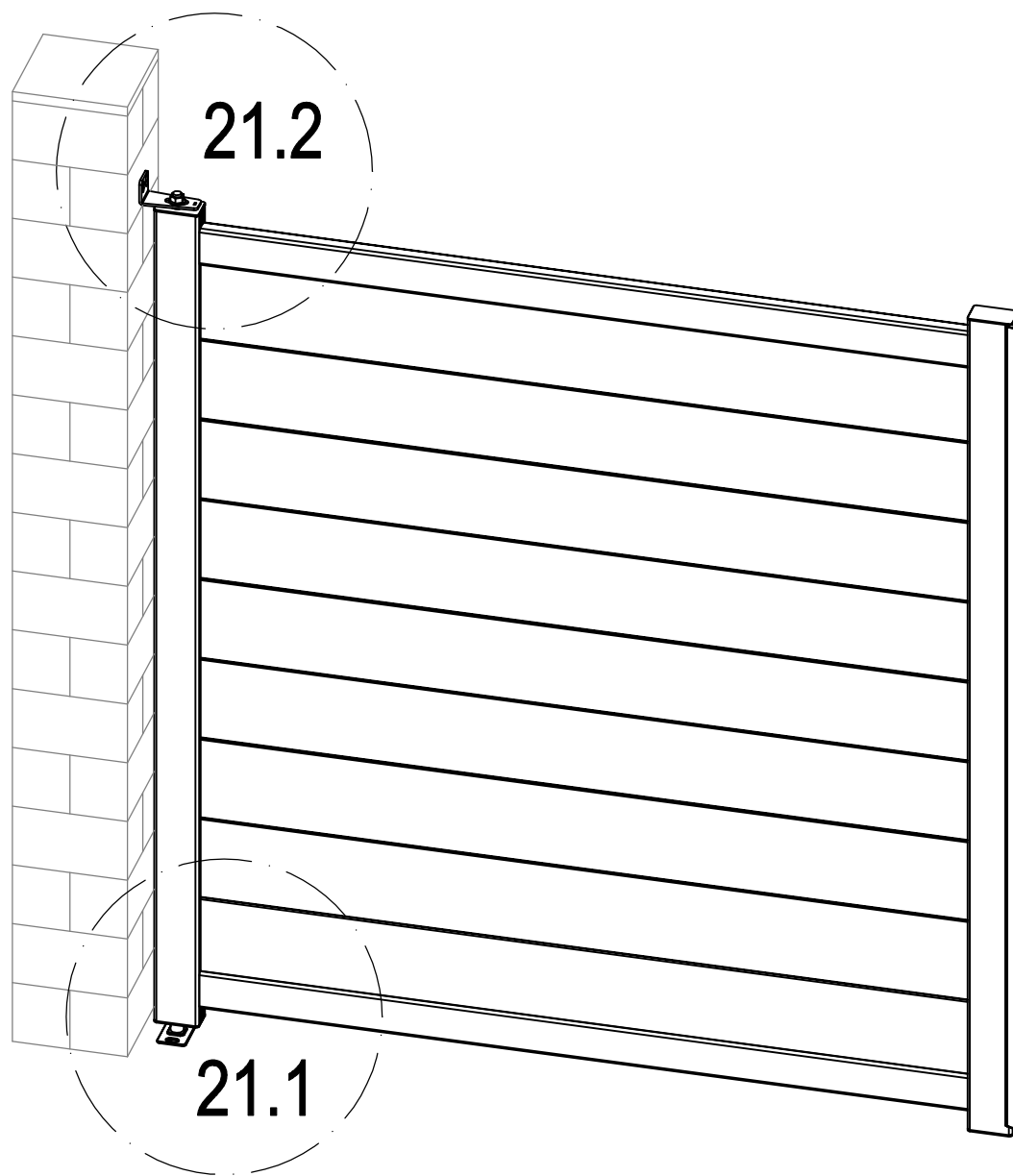


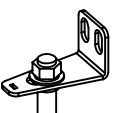

	Dr-20	1
	Dr-21	1
	Dr-22	1
	Dr-25	1

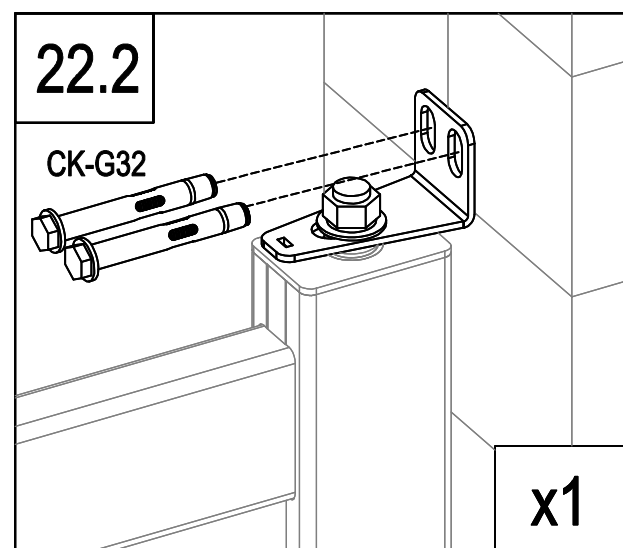
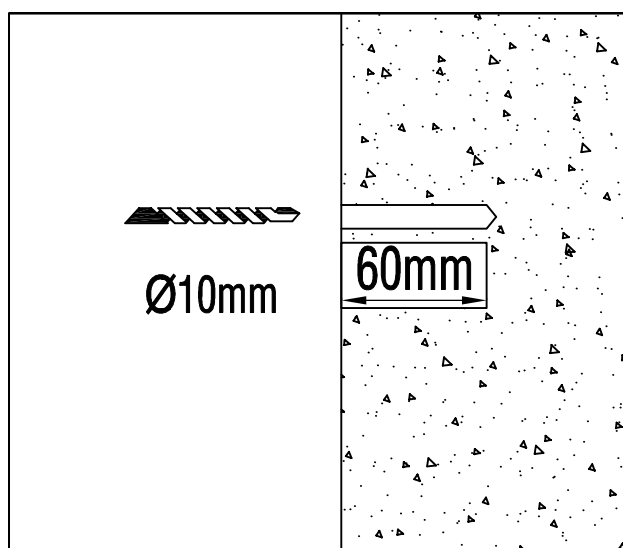
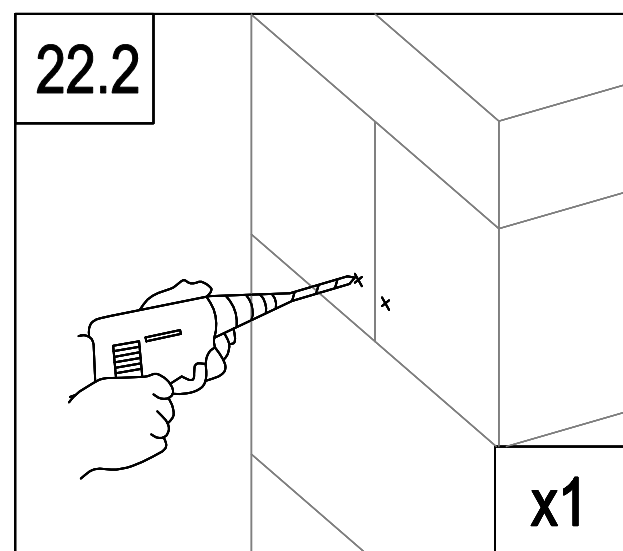
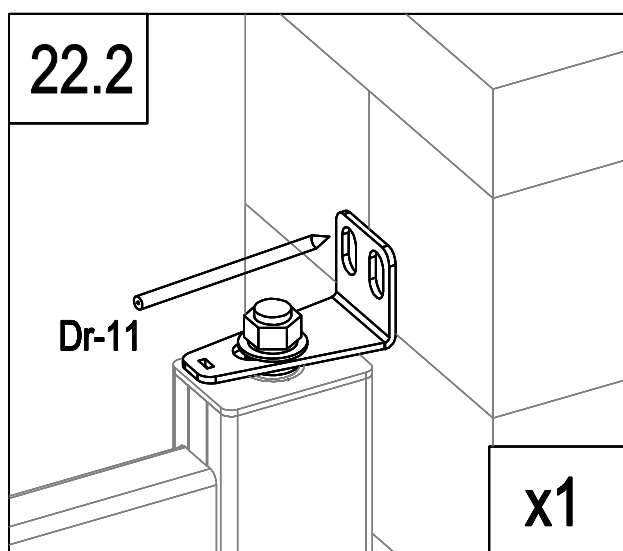
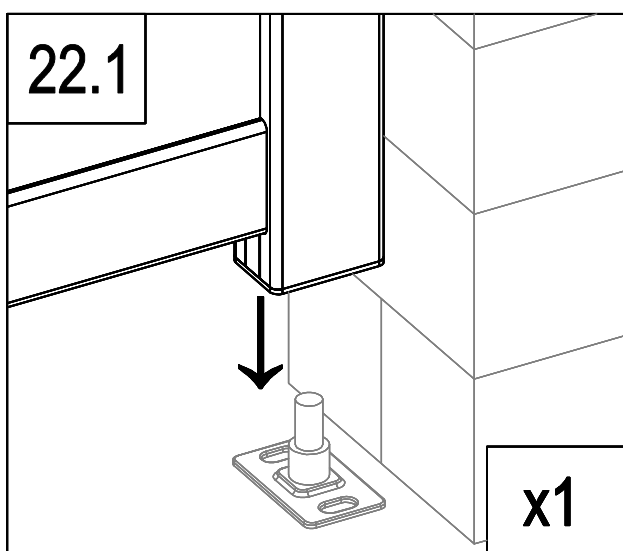
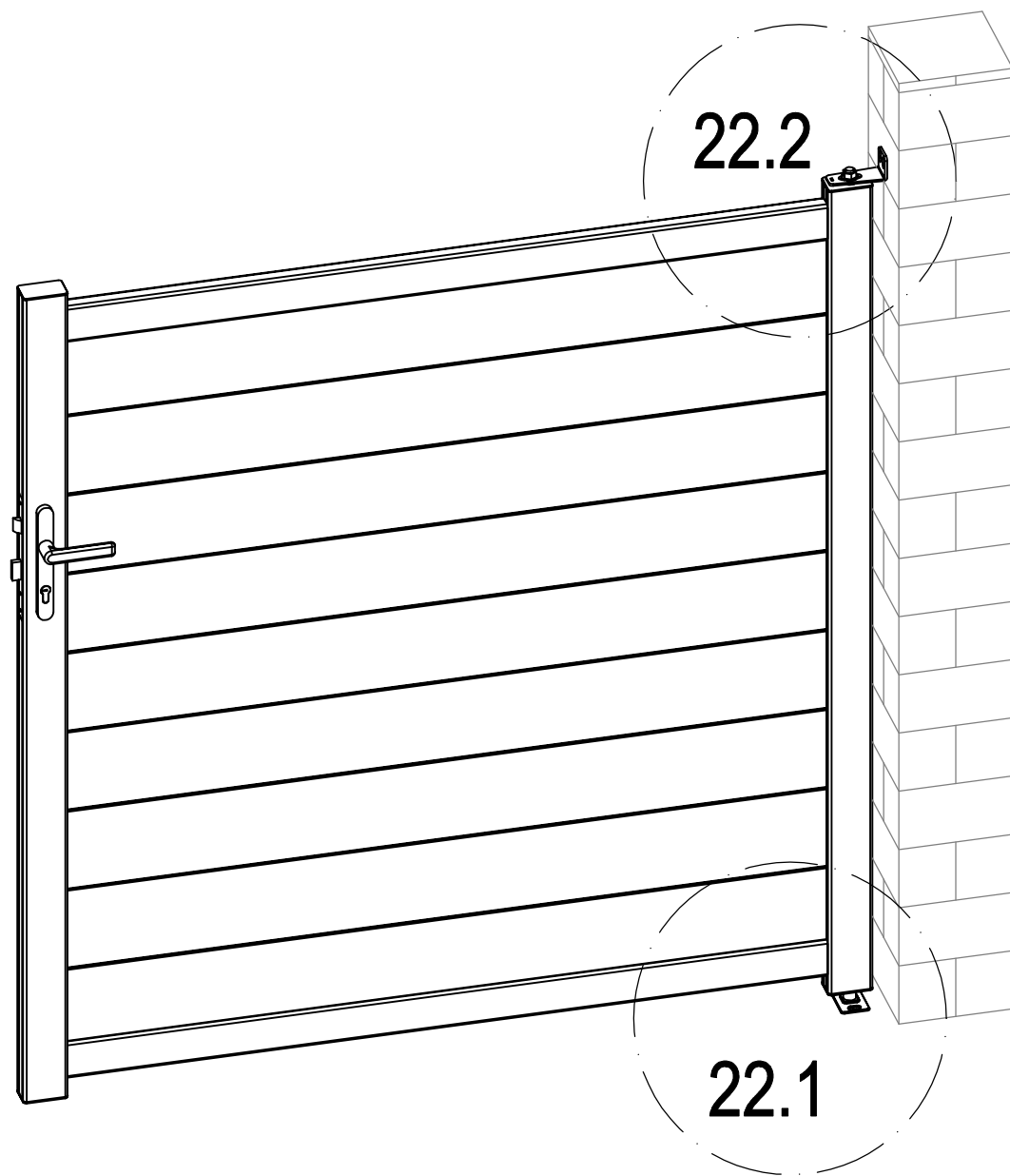
	Dr-18	1
	Dr-19	1
	Dr-25a	2
	Dr-27	2





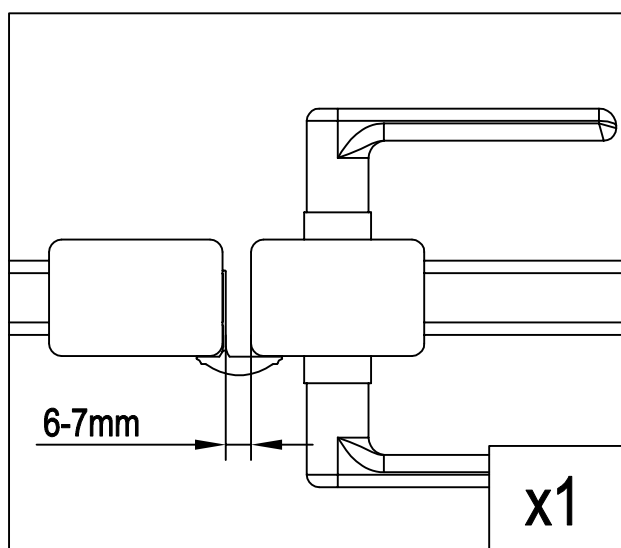
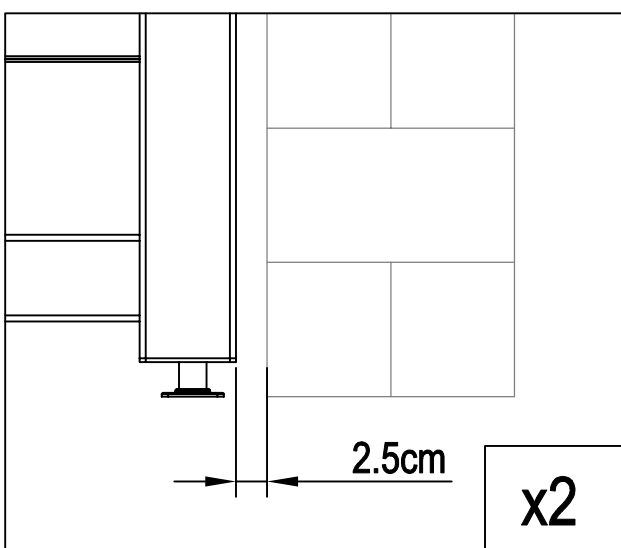
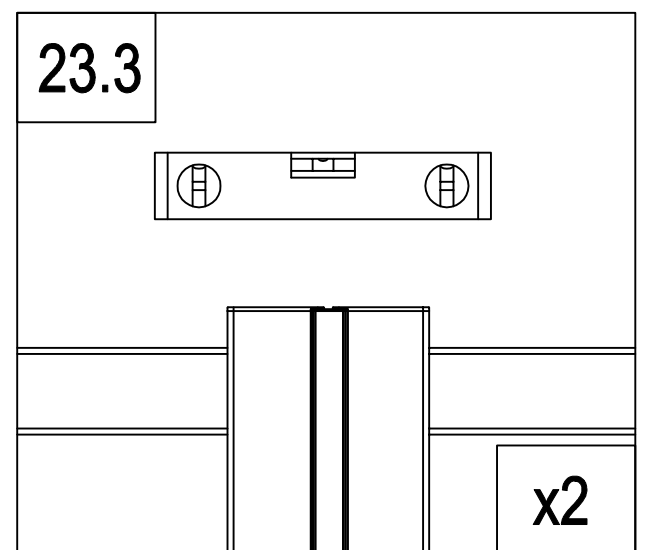
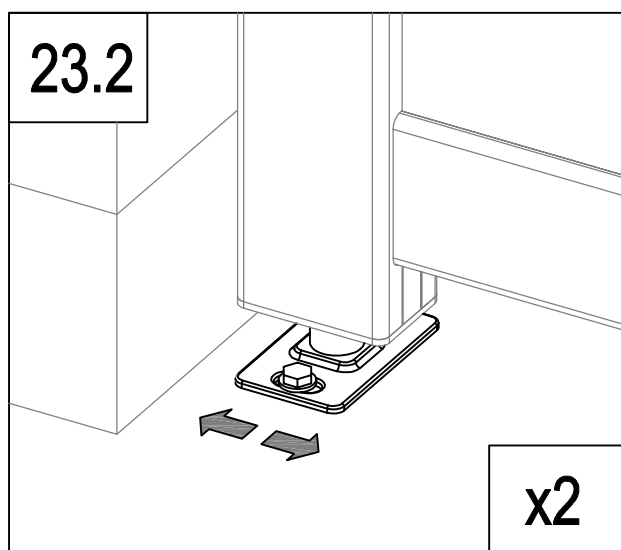
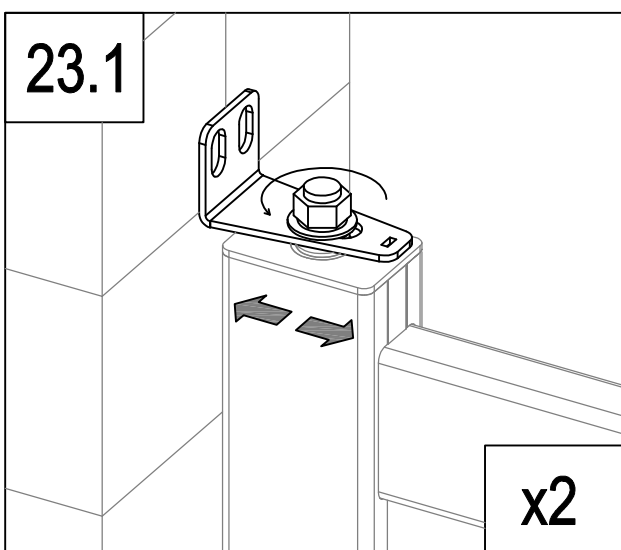
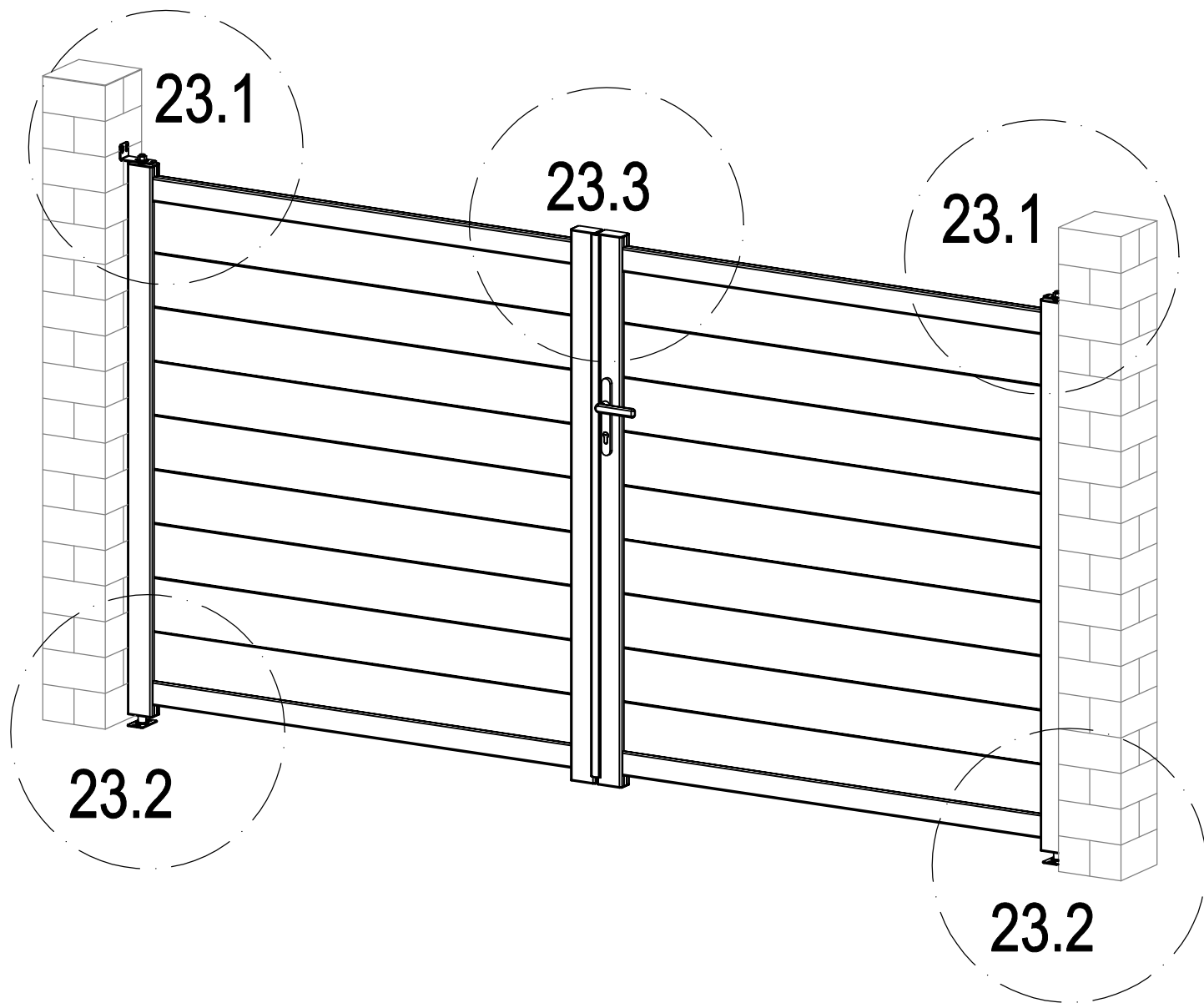
	Dr-12	2
	CK-G32	4

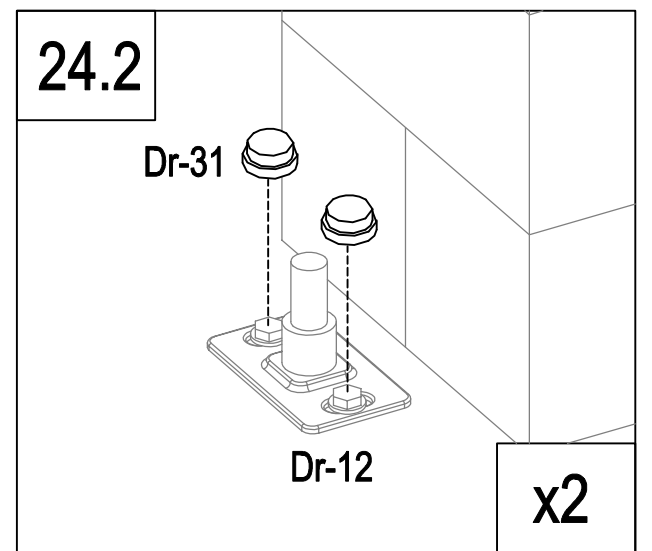
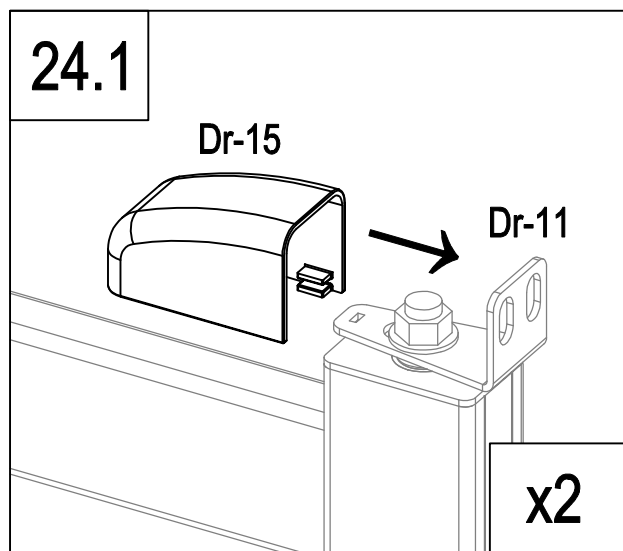
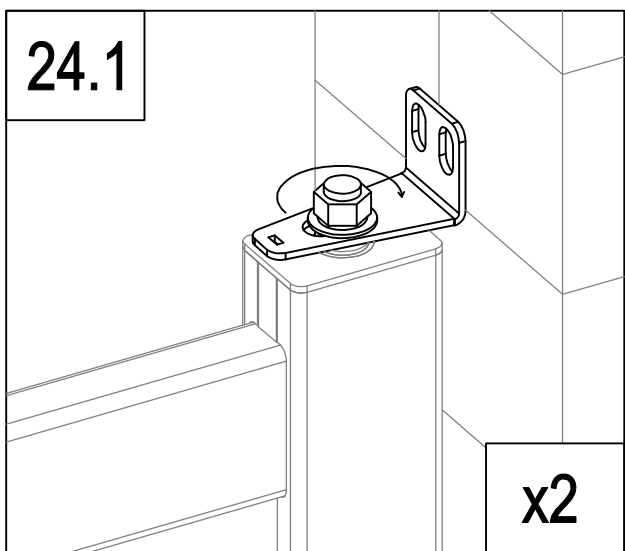
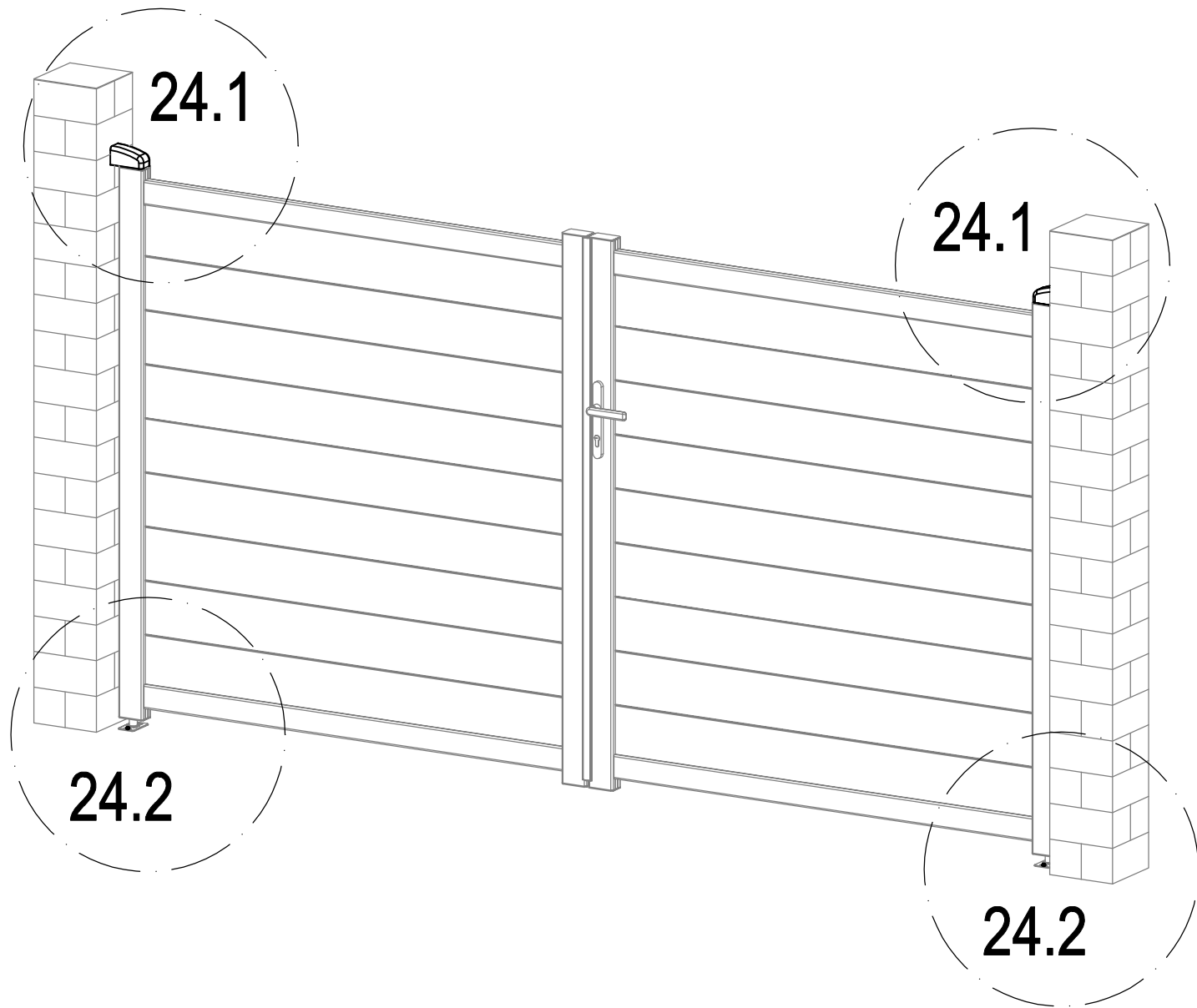


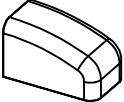

	Dr-11	1
	CK-G32	2

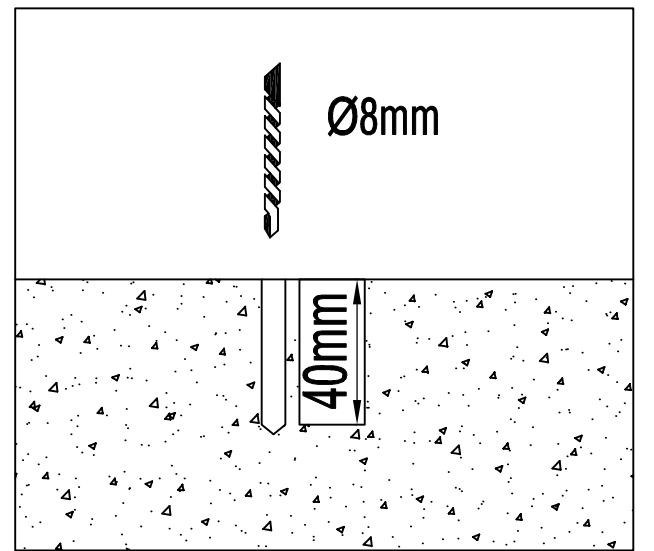
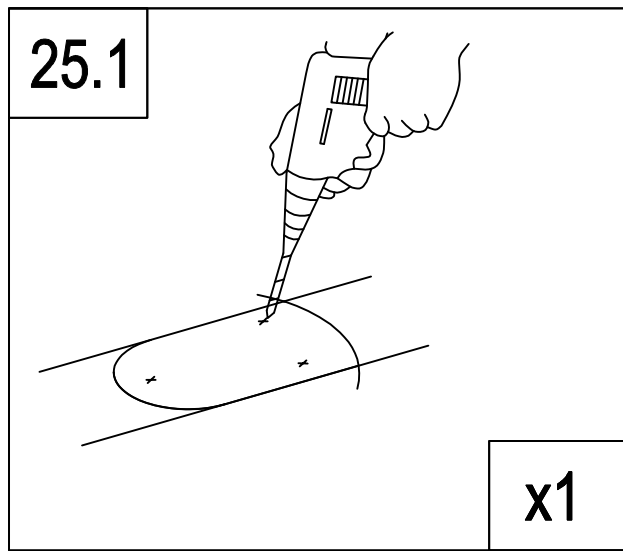
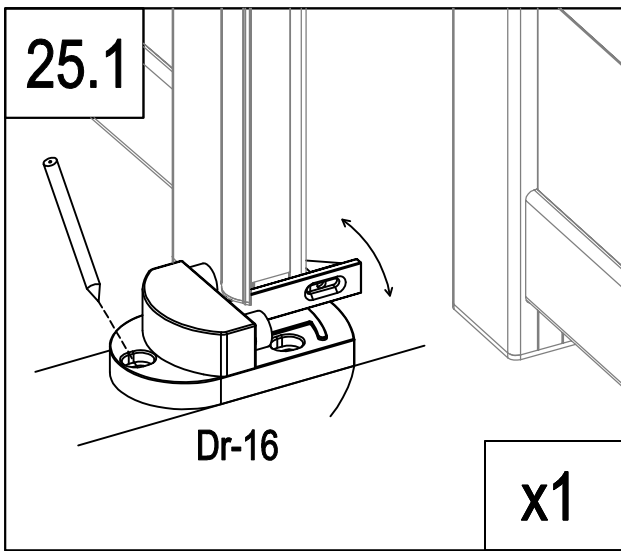
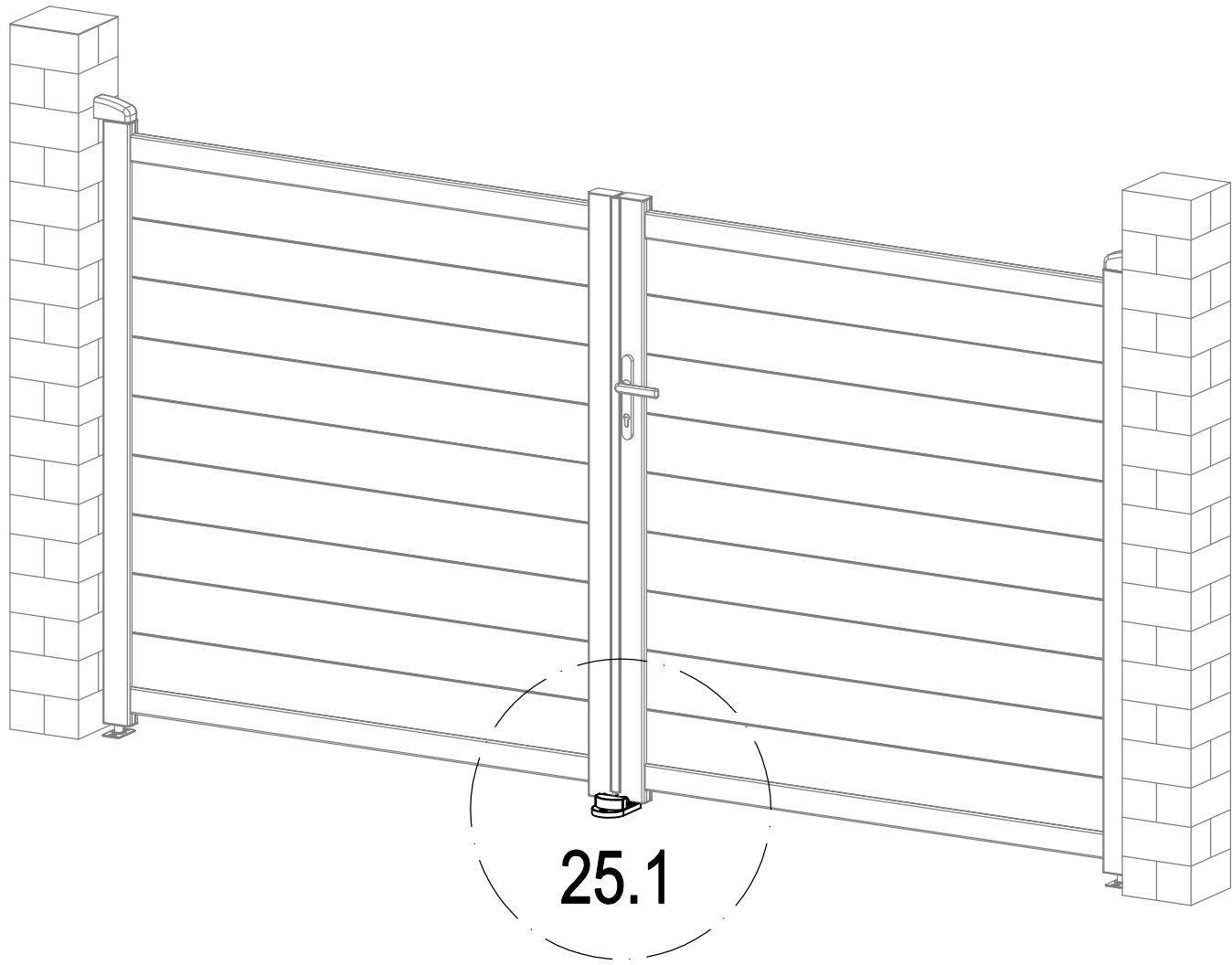


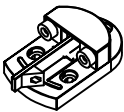


	Dr-11	1
	CK-G32	2

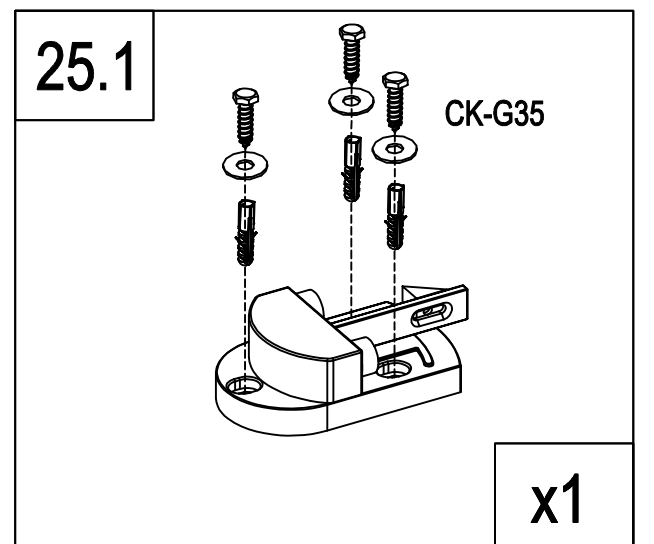


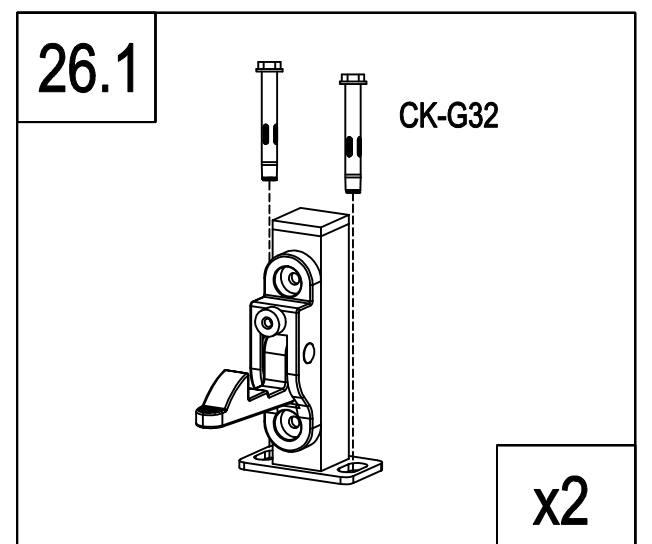
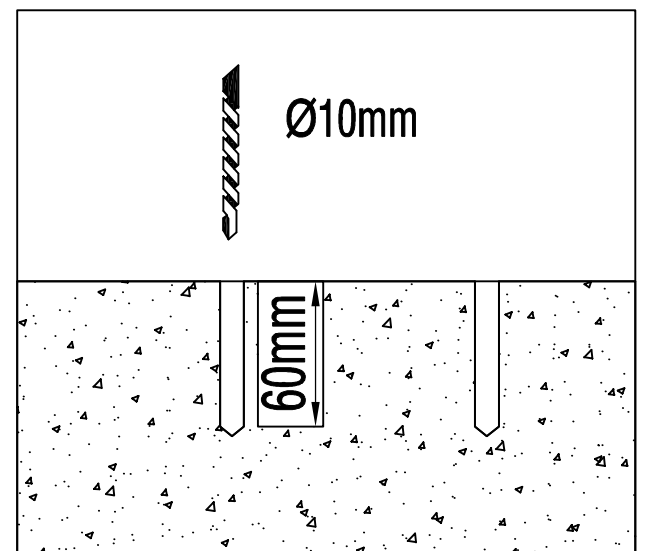
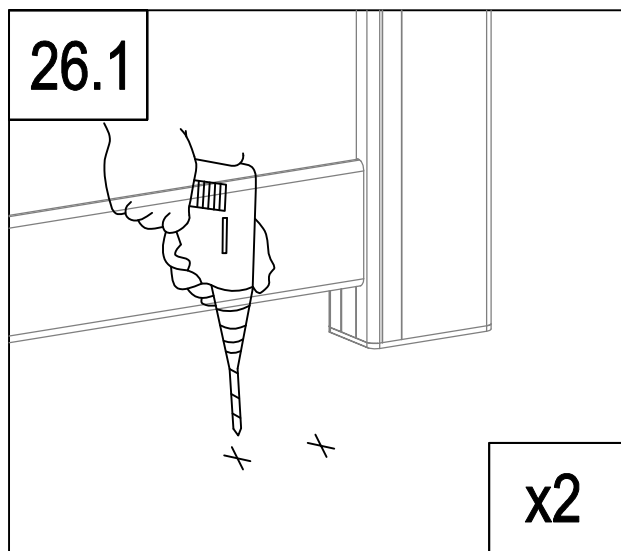
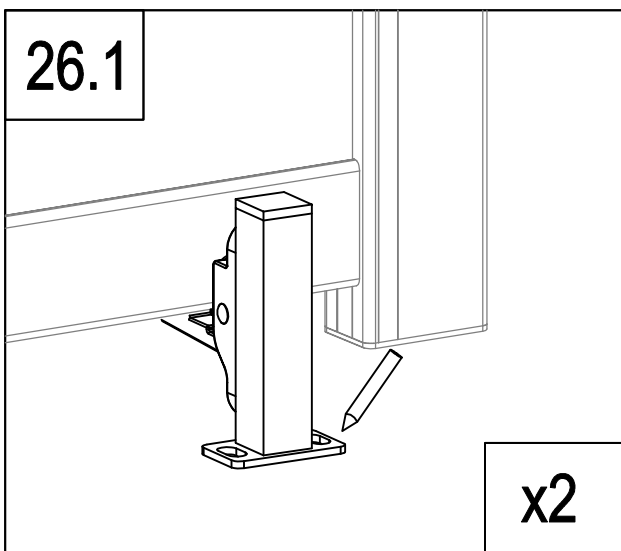
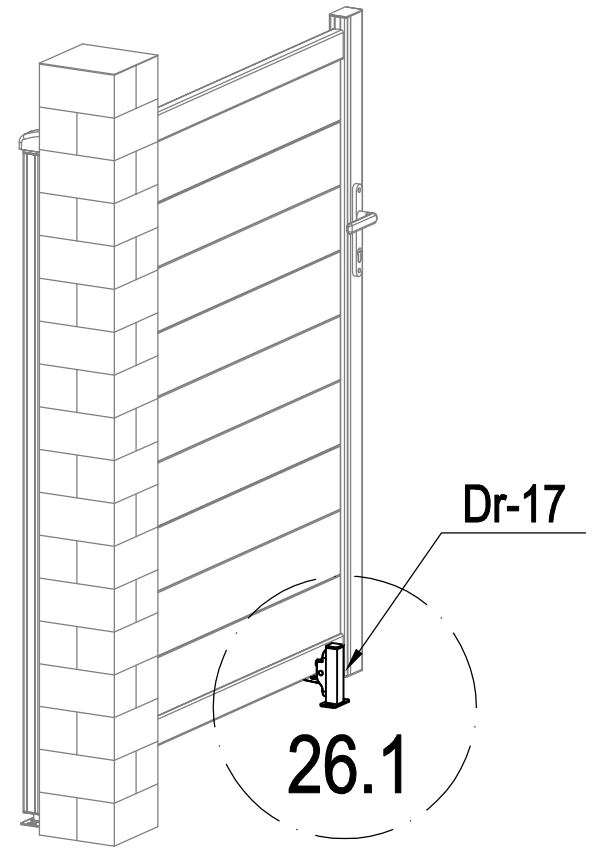
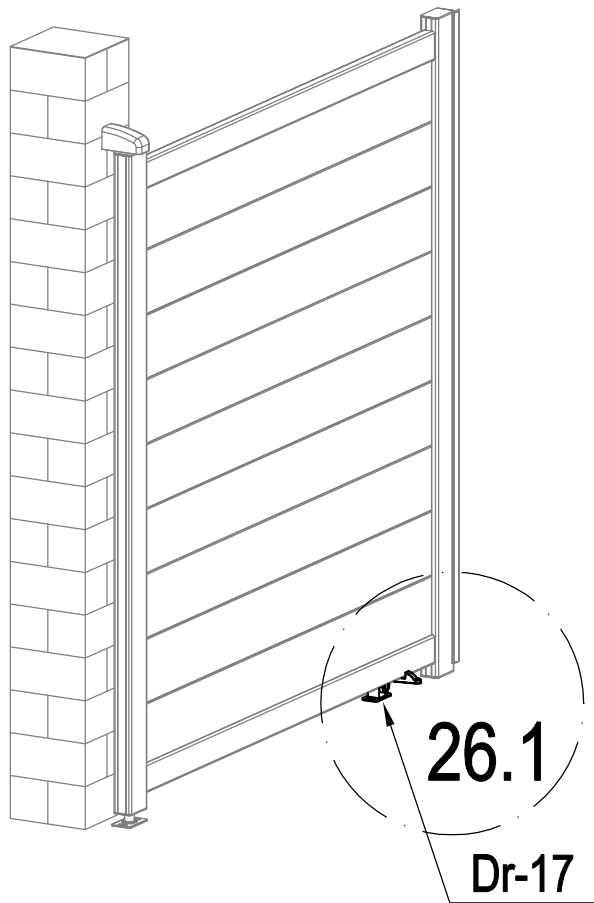




	Dr-15	2
	Dr-31	4



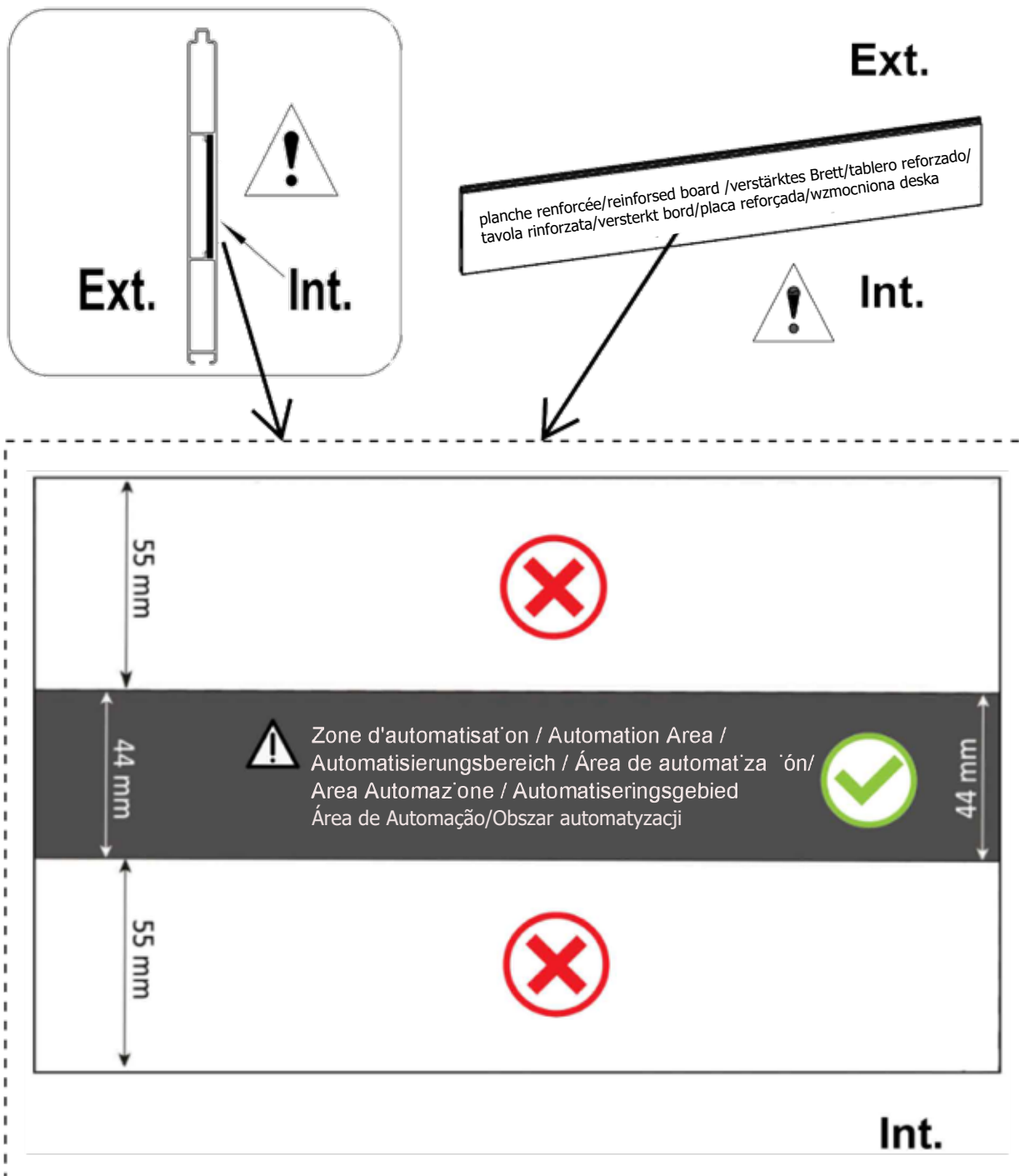
	Dr-16	1
	CK-G34	3
	CK-G35	3





	CK-G32	4
	Dr-17	2

FR: Zone d'automatisation appropriée sur la carte renforcée
 EN: Suitable Automation Area on the Reinforced Board
 DE: Geeigneter Automatisierungsbereich auf der verstärkten Platine
 ES: Área de automatización adecuada en el tablero reforzado
 IT: Area di automazione adatta sul pannello rinforzato
 NL: Geschikt automatiseringsgebied op de versterkte plaat
 PT: Área de automação adequada na placa reforçada
 PL: Odpowiedni obszar automatyzacji na wzmocnionej płycie





Vente-unique^{.com}

VS-Nov-2022

Imported by - Importé par
VENTE-UNIQUE.COM
9 Rue Jacquart 93310 Le Pré-Saint-Gervais
Made in China/ Fabriqué en Chine

143

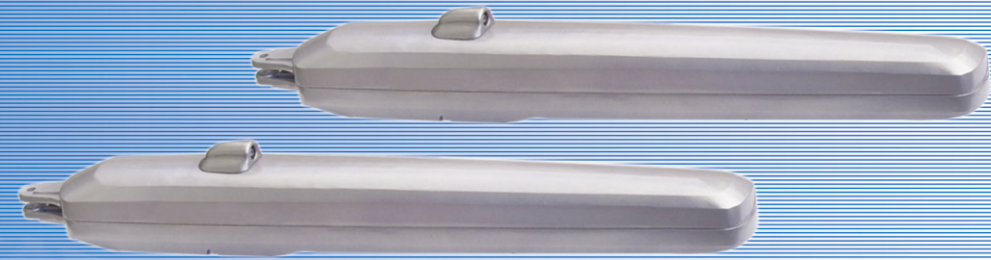
All rights reserved

Swing Gate Opener



RoHS

ASSEMBLING AND OPERATING MANUAL



210



Vente-unique
VS-DEC-2023

Imported by - Importé par
VENTE-UNIQUE.COM
9 Rue Jacquart 93310 Le Pré-Saint-Gervais
Made in China/ Fabriqué en Chine

F-600

PLEASE READ THE MANUAL CAREFULLY BEFORE INSTALLATION AND OPERATION

Contents

1.Inventory	3
2.Installation Tools	4
3.Layout of Gate Opener and Wiring for Control Unit	4-5
4.Standard Installation	5-9
5.Clutch Release	10
6.Installation for Control Box	10-12
7.Opening and Closing Travel Limit Setting	13
8.Transmitter Programming	13-14
9.Function Introduction	14-16
10.Technical Specification	16
11.Trouble Shooting	17
12.Recycling and Manipulation	18

12. Recycling and Manipulation

There are different kinds of material in a swing gate opener. Some can be recyclable, such as aluminium, iron, plastic, wires etc., but some of them can't.

Warning: Lead-acid backup battery and some electronic material are harmful substances. In order not to get the environment polluted, they should be recycled or discarded according to requirements of the local law regulation.

1. Completely cut off the power supply.
2. Disassemble all the equipments and accessories.
3. Take out the backup battery from the control box and the battery from transmitters.
4. Take out the PCB.
5. Recyclable materials should be handled by the local qualified company.
6. Backup battery, battery from transmitter and control board, etc. with harmful substances should be handled by the local qualified company so that they won't cause any pollution to the environment.

11. Trouble Shooting

Troubles	Causes	Solutions
The gearmotor doesn't work.	1.The plug is not securely connected. 2.The fuse on the pcb is blown.	1.Have the power supply connected securely by a qualified technician. 2.Replace with a new fuse of the same type.
The gearmotor doesn't work when operating the transmitter.	1.The transmitter has not been memorized. 2.The battery of the transmitter has not enough power. 3.The clutch is dis-engaged.	1. Memorize the transmitter referring to 8 on P13. 2.Replace with a new battery of the same type . 3.Engage the clutch with the release key .
The transmitter distance is short.	The battery of the transmitter has not enough power after long time use.	Replace with a new battery of the same type .
The moving speed of the gate leaf is slow.	1.The installation of the gate is not proper, so the moving become not smooth . 2.The moving speed of the gearmotor is not adjusted properly.	1.Release the gearmotor and move the gate leaf by hand to see if it can move smoothly. 2.Set the moving speed referring to (12) on P16.
The gate leaf can not open or close completely or it does not move .	1.The photocell sensor is shielded. 2.The operating time of the gearmotor is not adjusted properly.	1.Check and make sure the photocell sensor is not shielded. 2.Set the operating time referring to (11) on P16.
The gate leaf can not close automatically .	1. The auto closing function is set OFF. 2.The wire connection of the unit is not correct .	1. Set the auto closing time referring to (6) on P15. 2. Connect the wire referring to the wiring diagram on P12.

IMPORTANT SAFETY INSTRUCTIONS

WARNING: It is important for the safety of persons to follow these instructions. Save these instructions.

- Do not allow children to play with fixed controls. Keep transmitters away from children.
- Activation of the manual release may cause uncontrolled movement of the driven part due to mechanical failures or an out - of - balance condition.
- When operating a biased-off switch, make sure that other persons are kept away.
- When closing a gate that has been opened by a fire-sensing system, make sure that other persons are kept away.
- Frequently examine the installation for imbalance and signs of wear or damage of cables, springs and mounting. Do not use if repair or adjustment is necessary.
- The supply must be disconnected when cleaning or other maintenance is being carried out.
- This appliance is not intended for using by persons (including children) with reduced physical, sensory or mental capabilities, or lack of experience and knowledge, unless they have been given supervision or instruction concerning use of the appliance by a person responsible for their safety.

Children should be supervised to ensure that they do not play with the appliance.

- The means for disconnection must be incorporated in the fixed wiring in accordance with the wiring rules. An ON/OFF switch with a minimum distance of 3 mm between contacts in all poles must also be connected to the power supply.
- If the supply cord is damaged, it must be replaced by the manufacturer, its service agent or similarly qualified persons in order to avoid a hazard.
- Only power cord with H05RN-F2×0.75mm² type can be used.
- The replacement of battery should be carried out by professional people.

Correct disposal of this product:
















This marking indicates that this product should not be disposed with other household wastes throughout the EU. To prevent possible harm to the environment or human health from uncontrolled waste disposal, recycle it responsibly to promote the sustainable reuse of material resources. To return your used device, please use the return and collection systems or contact the retailer where the product was purchased. They can take this product for environmental safe recycling.



To prevent SERIOUS INJURY or DEATH from a moving gate, photocell MUST be installed to protect anyone who may come near a moving gate.

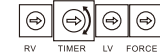
1. the temperature range marked on the drive should be suitable for the location.
2. The A-weighted emission sound pressure level of the drive should be equal to or less than 70dB(A).
3. If you want the E-IM, please contact with customer service staff by QR code in the back of this manual.

1.Inventory

	Picture	Name	Quantity
①		Gearmotor	2
②		Instruction manual	1
③		Transmitter	2
④		Rear mounting brackets	2
⑤		Front mounting brackets	2
⑥		Flashing light	1
⑦		Photocell	1
⑧		Control Box	1
⑨		Release key	3
⑩		Cotter pin	2
⑪		Clevis pin	2
⑫		M8x60 screws	8
⑬		Wall console	Optional
⑭		Keypad	Optional
⑮		Keyswitch	Optional

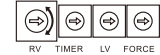
(11) Operating time setting:

Turn button TIMER clockwise, the operating time will be longer;
Turn button TIMER anticlockwise, the operating time will be shorter;
The time can be set from Max. 60S to Min. 30S



(12) Moving speed setting:

Turn button RV clockwise, the speed will be faster.
Turn it anticlockwise, the speed will be slower.



(13) Anti-crushing function:

If the leaves meet any obstacles while opening or closing, the operator reverses for 2 seconds and stops.

(14) Memory function in case of power failure:

If the power fails during opening or closing, when it is restored and a new order is given (either manually or remotely), the gate starts opening.

(15) Key switch operation:

In the terminals "GATE1", "GATE2", "GND", a key switch can be connected (for normal open only).
When "GATE1" and "GND" are connected, only operator MOT1 will work.
When "GATE2" and "GND" are connected, both operators will work.

The operation sequence is as following:

"GATE1" – Only one leaf – Open-Stop-Close-Stop

"GATE2" – Both leaves – Close-Stop-Open-Stop

When the door is opening, the LED3 flashes, and when the door is stopped at the open position, LED3 is on.

When the door is closing, the LED2 flashes, and when the door stops at the closed position, LED2 is on.

When the door stops halfway, LED2 and LED3 does not light up.

(16) Photocell protection function:

①When the door is opening, the IR1 protection is invalid, and the IR2 protection stops the operators. Press the remote control or manual switch again, the door will close.

②When the door is closing, the IR1 protection immediately reverses the door to opening position, and the IR2 protection stops the operators. Press the remote control or manual switch again, the door will open.

③The working mode of the two photocells is normally closed.

In the IR1 protection state, the door can only open the door.

In the IR2 protection state, the door will not move.

(17) Charging function

①When the control board is not connected to the battery, the LED8 does not light up.

②When the battery on the control board is being charged, the LED8 is on.

③When the battery voltage is lower than 12V, stop charging and the LED8 does not light up.

④When the battery voltage is between 12V and 15V, pulsating charging, 1HZ, LED8 flashes.

⑤Charge normally when voltage is between 15V and 25V, and stop charging when it reaches to 28V, LED8 is OFF, charge again when the voltage is less than 25V, LED8 is on.

⑥When the battery is between 25V and 28V, disconnect/connect the battery, start charging.

⑦When the battery is between 25V and 28V, disconnect/connect AC (Alternating Current), start charging.

⑧When the door is closing and the battery voltage is lower than 21V, the operator reverses and display shows the fault code 54, when the battery voltage is higher than 21V, the fault code clears.

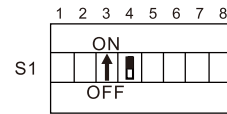
⑨When the battery voltage is lower than 16V, it enters the low voltage protection, and the fault code 55 is displayed. When the battery voltage is higher than 21V, the fault code clears.

10. Technical Specification:

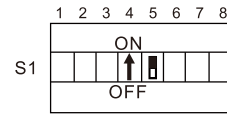
Model	F-600
Working Power (Vac)	220~240Vac @ 50/60Hz
Motor Voltage (Vdc)	24
Input Power (W)	100
Ambient Temperature Range (°C)	-25 ~ +50
Max. Weight for Single Gate Leaf (Kg)	350
Max. Width for Single Gate Leaf (m)	1.8 2.5 (with electric lock)
Max. Open Angle (°)	120
Protection Level (IP)	X4
Max. Travel Distance (mm)	320
Working Period	Max. 50 continuous working cycles for frequent operation
Weight for per Gearmotor (KG)	6
Operating Frequency Band(s)	433.92MHz
Max. Transmitted RF Power	10mW

(2) Opening delay setting

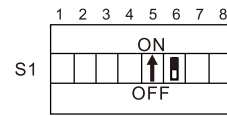
4 ON = Maximum delay of 6 seconds
4 OFF = Minimum delay of 2 seconds

**(3) Single gate leaf operation setting**

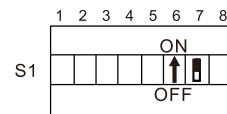
5 ON = Only MOT1 gearmotor is available
5 OFF = Both MOT1 and MOT2 gearmotors are available

**(4) Operation mode setting**

6 ON = The operation mode is :
OPEN-CLOSE-OPEN
6 OFF = The operation mode is:
OPEN-STOP-CLOSE-STOP-OPEN

**(5) Full speed opening/closing function:**

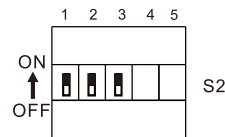
7 ON = Full speed opening/closing
7 OFF = low speed opening/closing

**(6) Auto closing setting:**

(This function is set OFF in factory.)

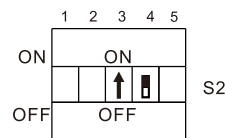
The time can be added up combinatorially and set from 0-120 seconds.

1 ON + 2 OFF + 3 OFF = 5 seconds
1 OFF + 2 ON + 3 OFF = 15 seconds
1 ON + 2 ON + 3 OFF = 30 seconds
1 OFF + 2 OFF + 3 ON = 60 seconds
1 OFF + 2 ON + 3 ON = 90 seconds
1 ON + 2 ON + 3 ON = 120 seconds
1 OFF + 2 OFF + 3 OFF = no auto closing

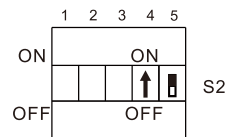
**(7) Switch 4 on S2 is for left and right door delay selection**

Put switch 4 to OFF position, the left door (motor 2) will be delayed when the door is opening, and the right door (motor 1) will be delayed when the door is closing.

Put switch 4 to ON position, the right door (motor 1) will be delayed when the door is opening, and the left door (motor 2) will be delayed when the door is closing..

**(8) Programming "electric lock" function**

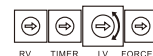
5 ON = Always active, except for opening
5 OFF = Active when motors start open

**(9) Force adjustment:**

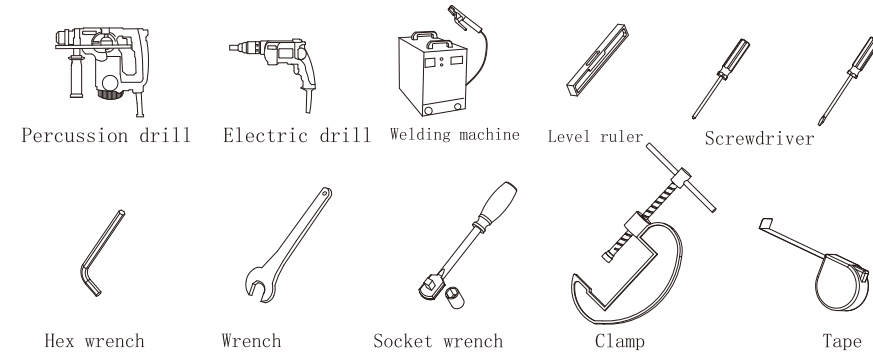
Turn button FORCE clockwise, the driving force will become stronger.
Turn it anticlockwise, the driving force will become weaker.

**(10) Soft start and stop speed setting:**

Turn button LV clockwise, the speed will be faster.
Turn it anticlockwise, the speed will be slower.

**2. Installation Tools**

(Make sure you have all the following tools and they are in good conditions and serviceable according to the safety standards)

**3. Layout of Gate Opener and Wiring for Control Unit (Fig.1)**

(The gearmotor has been wired properly inside, cables of 800 mm are supplied with the gearmotor)

The photocells(2 of Fig.1) should be installed at a height of 20-60cm from the ground. The photocell transmitter should point towards the photocell receiver, with a min. distance of 200cm, with a max. tolerance of 5°.

The flashing light(4 of Fig.1) should be installed on the top of the gate post or other place which is visible and convenient.

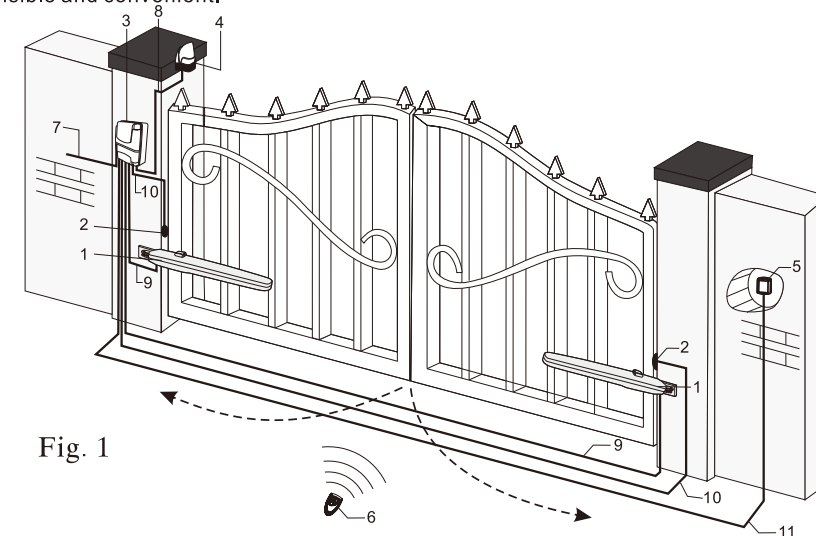


Fig. 1

- | | |
|---|-------------------|
| 1. F-600 Gate Opener | 2. Photocell |
| 3. Control Box | 4. Flashing Light |
| 5. Key Switch or Keypad (optional) | 6. Transmitter |
| 7. Power Cable : $3 \times 1.5\text{mm}^2$ | |
| 8. Cable for Flashing Light : $2 \times 1.0\text{mm}^2$ | |
| 9. Cables for MOT1 & MOT2 | |
| 10. Cable for Photocell: $4 \times 0.5\text{mm}^2$ or $2 \times 0.5\text{mm}^2$ | |
| 11. Cable for Key Switch: $2 \times 1.0\text{mm}^2$ | |

WARNING: Make sure the cables you used meet with the above installation types and the wiring system is in a safety ground surrounding.

Extension cables and cables listed above are not included. Select extension cables of appropriate length based on the actual installation situation.


4. Standard Installation

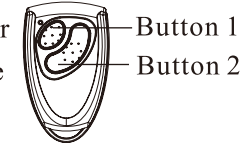
For installation instructions:

WARNING: Important safety instructions. Follow all instructions since incorrect installation can lead to severe injury.


- Before installation, the installer should check the type, size and mass of the driven part, and locations where the drive can be installed. And check that the temperature range indicated on the reader is suitable for the location.
- Before installing the drive, check whether the driven part is in good mechanical condition, correctly balanced and open or close properly.
- The drive cannot be used with a driven part incorporating a wicket door.
- Ensure that entrapment between the driven part and the surrounding fixed parts due to the opening movement of the driven part is avoided.
- Whether the actuating member of a biased-off switch is to be located within direct sight of the driven part but away from moving parts. Unless it is key operated, it is to be installed at a minimum height of 1.5 m and not accessible to the public.
- After installation, ensure that the mechanism is properly adjusted and that the protection system and any manual release function correctly.
- Permanently fix the label concerning the manual release adjacent to its actuating member.
- Make sure that the mounting surfaces of the photocell sensors are flat and they can enable proper alignment between TX and RX.
- Make sure that there will be enough space for the gates to open and close.

b. Programming transmitter button for single leaf :

Press  and hold for 1S, the code LED 1 is on, press again, the code LED DL6 is flashing, press button 2 of the transmitter twice, the code LED1 is off, button 2 can operate one of the leaves.



Note: 1. When the code LED1 is flashing, if the user does not need to

programme transmitter button for single leaf, press button  to exit the programming.

2. The control unit can memorize Max. 50 pcs transmitters.
3. If button 1 is for both leaves, button 2 is for single leaf, it is invalid to code button 1 for single leaf.
4. If button 1 is for both leaves, button 2 is for single leaf, now the user programmes button 2 for both leaves, then button 1 will be invalid at the same time.

2. Deleting all transmitters:

Press  and hold for 8S to delete all transmitters.

(**Note:** If the procedure is performed correctly, press the buttons of any transmitters can not operate the unit.)

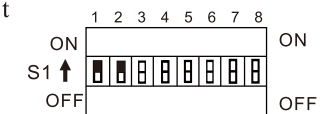
9. Function Introduction

(1) Closing delay time setting:

The time can be added up combinatorially and set from 1-10 seconds.

1 ON: 2 second, 2 ON: 5 seconds,

1 ON } 10seconds
2 ON }

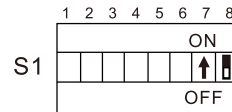



If without any closing delay setting, the default delay time is 1S.
Note: Switch 3 on S1 is for reservation.


7. Opening and Closing Travel Limit Setting

(1) Release the clutches of both gearmotors with a release key, open both gate leaves completely, then engage the clutches.

(2) Put DIP switch S1 No.8 to ON position.



(3) Press button  on the main board, both gate leaves will move in closing direction and stop until they completely close.


(4) Press button  again, both gate leaves will move in opening direction and stop until they completely open.

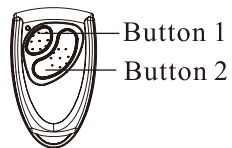
(5) After the recognition, put DIP switch S1 No.8 to OFF position.

8. Transmitter programming

1. Memorizing a new transmitter

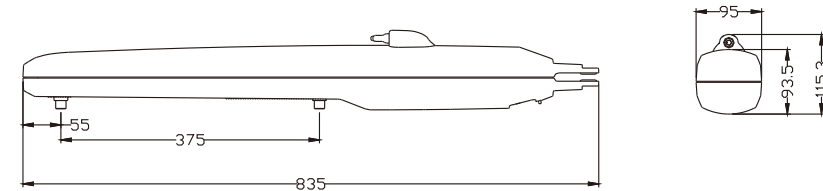
a. Programming transmitter button for both leaves:

Press  and hold for 1S, the code LED1 is on, press button 1 of the transmitter twice, the code LED 1 is off, button 1 can operate both leaves.



(1) Measurement for gearmotor (Fig.2):

Fig.2: (unit:mm)



Note: For the mounting height of the gearmotor, rear bracket and front bracket on gate, please refer to the gate manual.

(2) Installation for rear brackets (Fig.3):

- Measure the Value C.
- Value D will depend on the position where the Rear Brackets will be mounted.
- Value A is the total length for both C and D.
- Please refer to Table 1 on page 7, Value B will depend on Value A and the Maximum Opening Angle of the gate leaf.
- The acting force of the gate opener will be more excellent to the gate when Value B is close or equal to Value A.

Fig.3

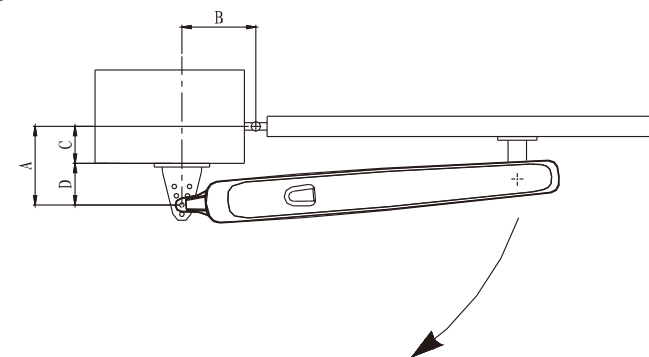
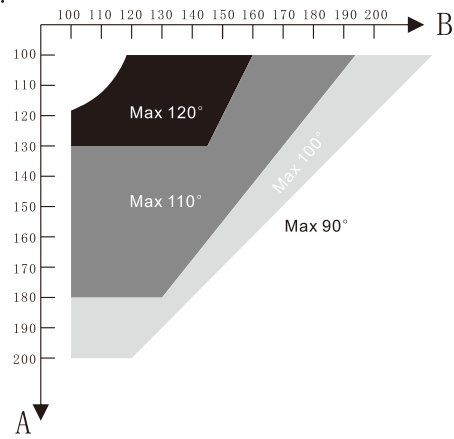
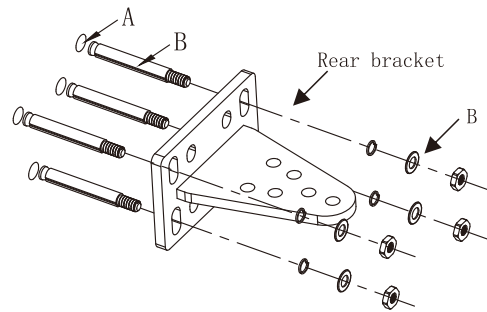


Table 1.



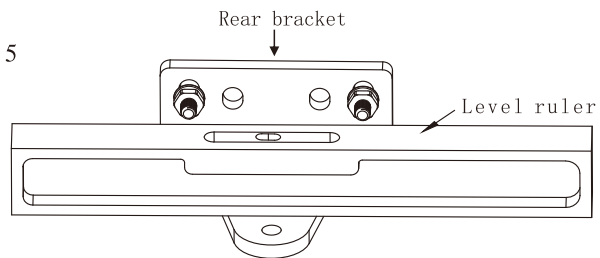
- (3) Refer to Table 1 and choose the sizes of A and B in order to confirm the position where the rear brackets (④ of P3) will be mounted. Use the bracket itself as a reference (Fig.4), mark the drill points for the rear bracket. Drill 4 holes (A) in the mounting surface, and fix the bracket with the appendant M8x60 setscrews(B) (⑫ of P3)

Fig.4



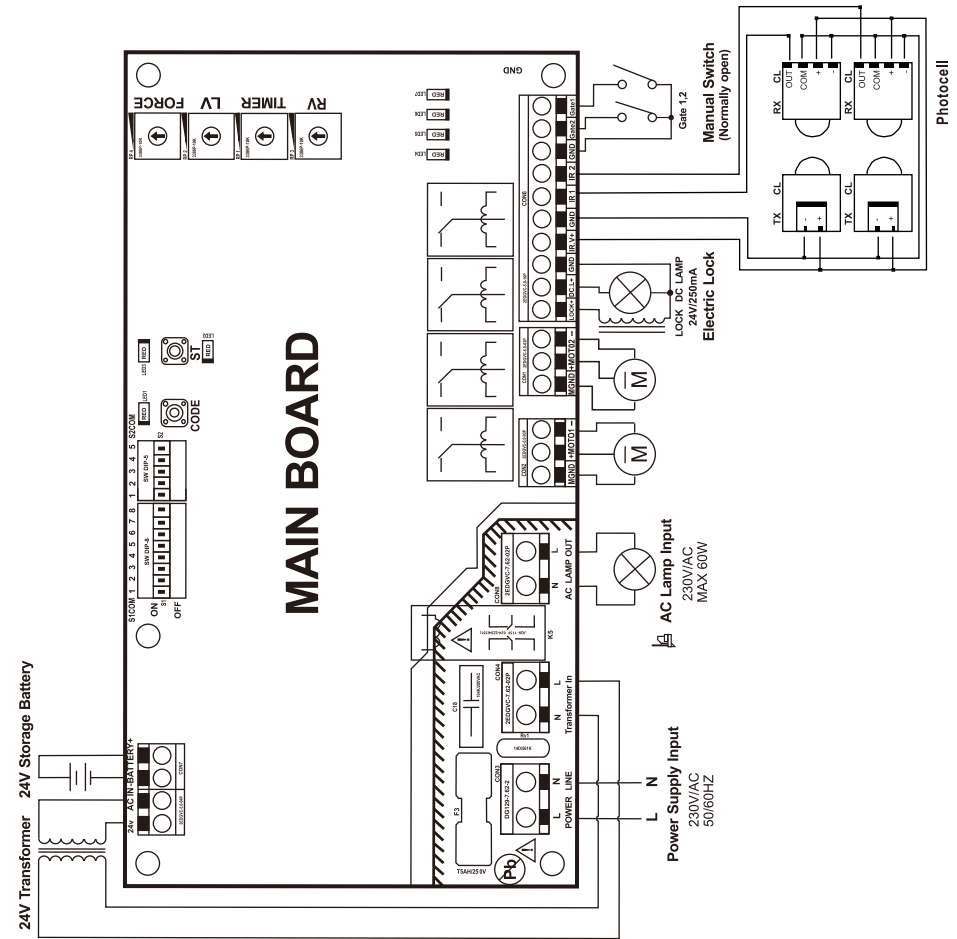
The slots on the bracket allow small differences in alignment to be corrected. Fix the bracket with the nuts when the bracket is perfectly level. (Fig.5)

Fig. 5



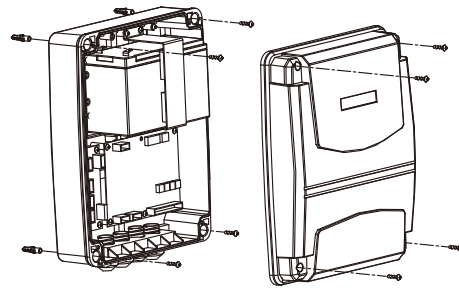
4.Wiring diagram (Fig.16):

Fig. 16



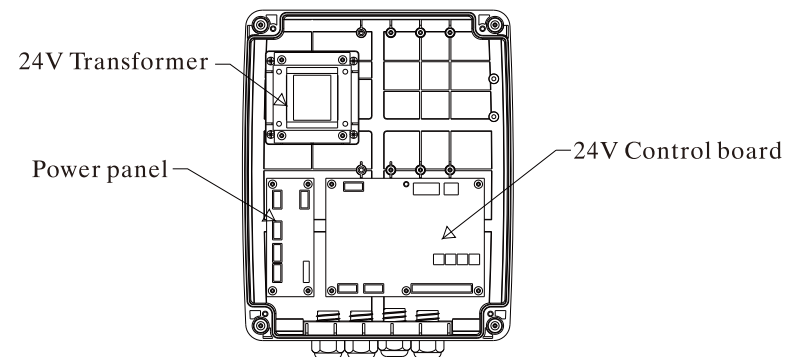
2. Refer to Fig.1 install the control box on the gate post at height of 1.7meters above the ground .(Fig.14)

Fig. 14



- 3.The structure of control box (Fig.15):

Fig. 15



- (4) Refer to the following figure, place the front bracket (⑤ of P3) at a distance of 730 mm from the rear bracket and 38mm lower than the rear bracket . (Fig.6)
Fix the front bracket to the leaf with a clamp provisionally (Fig.7).
Lift up the gearmotor and fit the fork into the hole in the front bracket.

Fig. 6: (unit: mm)

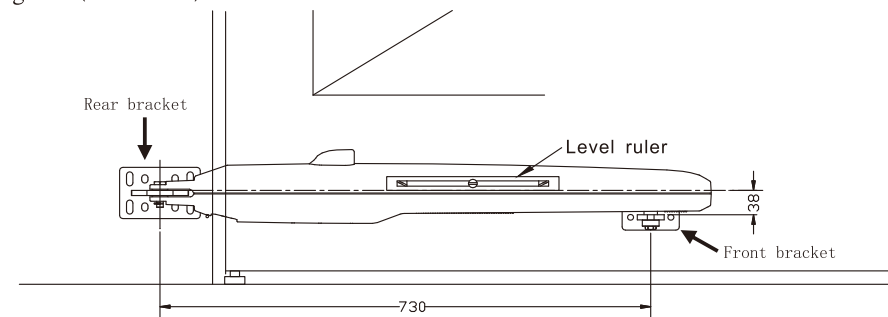
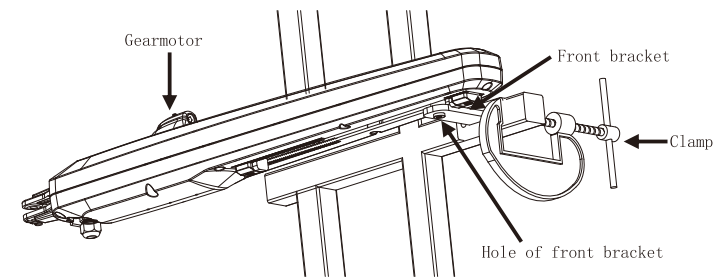
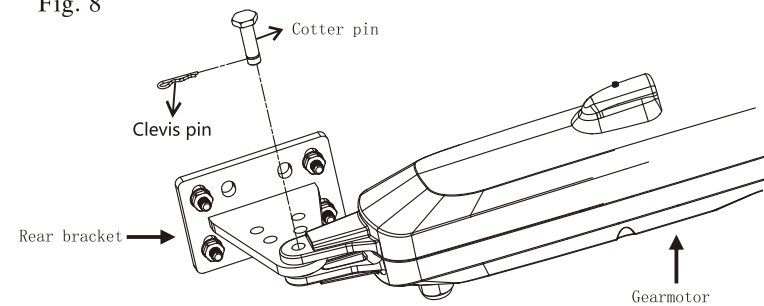


Fig. 7



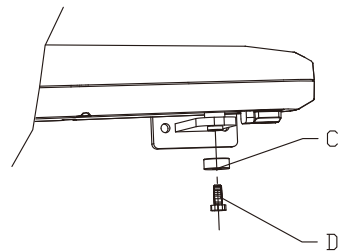
- (5) keep the gearmotor lifted and pull it to open the gate until the hole in the bracket matches the hole in the gearmotor. Fix the gearmotor to the rear bracket with the cotter pin (⑩ of P3) and then insert the clevis pin (⑪ of P3) into the cotter pin. (Fig.8)

Fig. 8



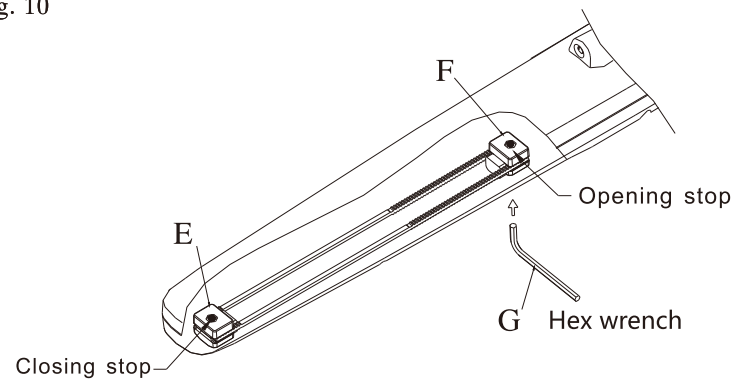
- (6) Fix the gearmotor to the front bracket and anchor it with the appendant screws (D) and washers (C) with the gearmotor, fully tighten the screw. (Fig.9)

Fig. 9



- (7) Release the gearmotor clutch with the release key (Ⓣ of P3)(See P10. "Clutch Release" paragraph below).
- (8) Move the gate by hand and check whether the mechanism of the gate works well.
- (9) Release the locating screws E and F by using hex wrench G, and adjust the closing stop and opening stop to a suitable position. (The closing stop has been adjusted before leaving the factory, usually do not need to be adjusted) After adjustment is completed,tighten the locating screws E and F. (Fig. 10)

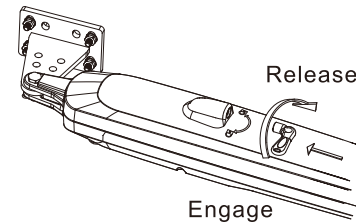
Fig. 10



- (10) Fix the front bracket permanently. (e.g. welding or fix with screws.)
- (11) Engage the gearmotor with the release key (See P10. "Clutch Release" paragraph below)

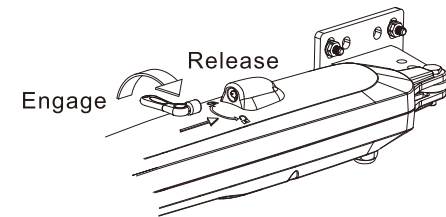
5.Clutch Release

Fig. 11



The clutch release for the left gearmotor

Fig. 12



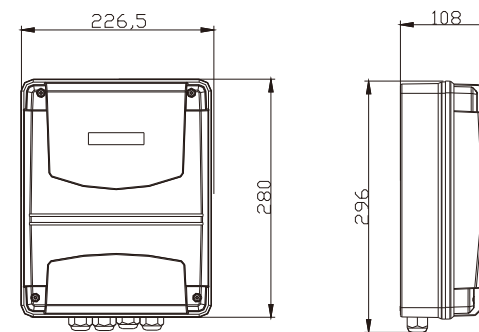
The clutch release for the right gearmotor

(Fig.11 & Fig.12) Release the clutch: Insert the release key and turn it clockwise for 180°. Engage the clutch: Insert the release key and turn it 180° in an opposite direction.

6. Installation for Control Box

1.Size of control box (Fig.13):

Fig. 13



(unit: mm)