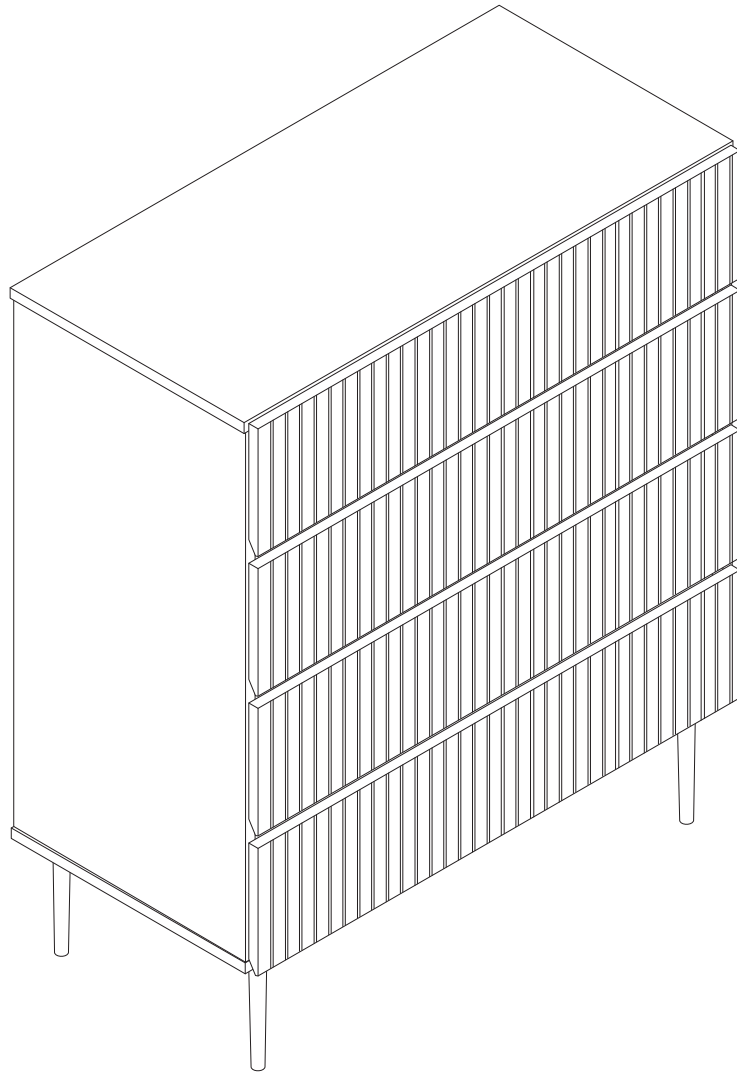
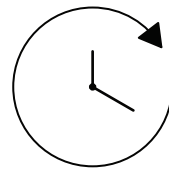
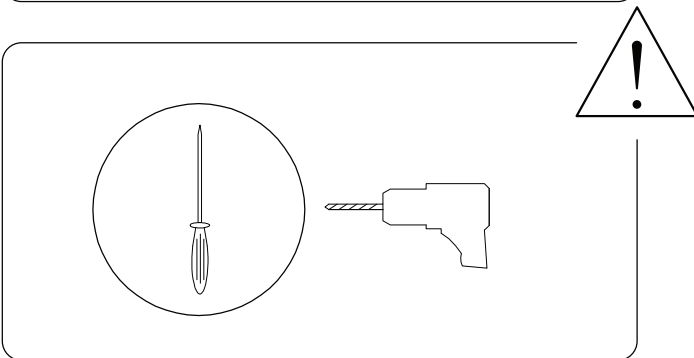
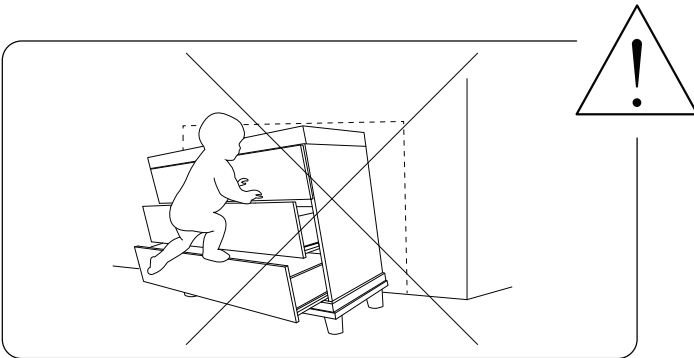
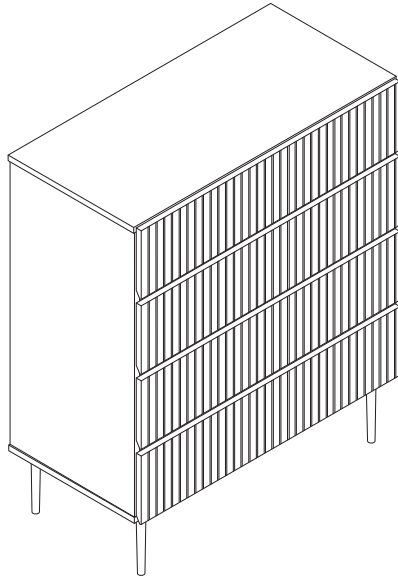
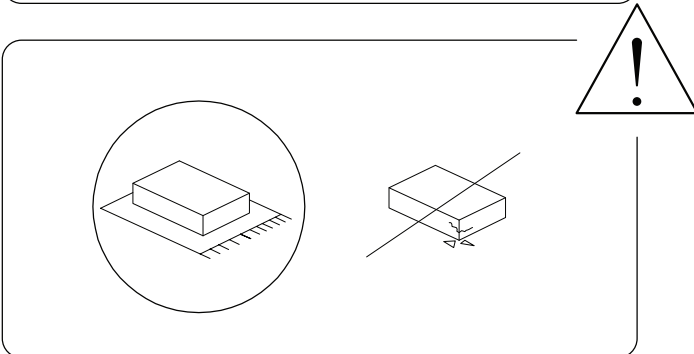


BLYTHE

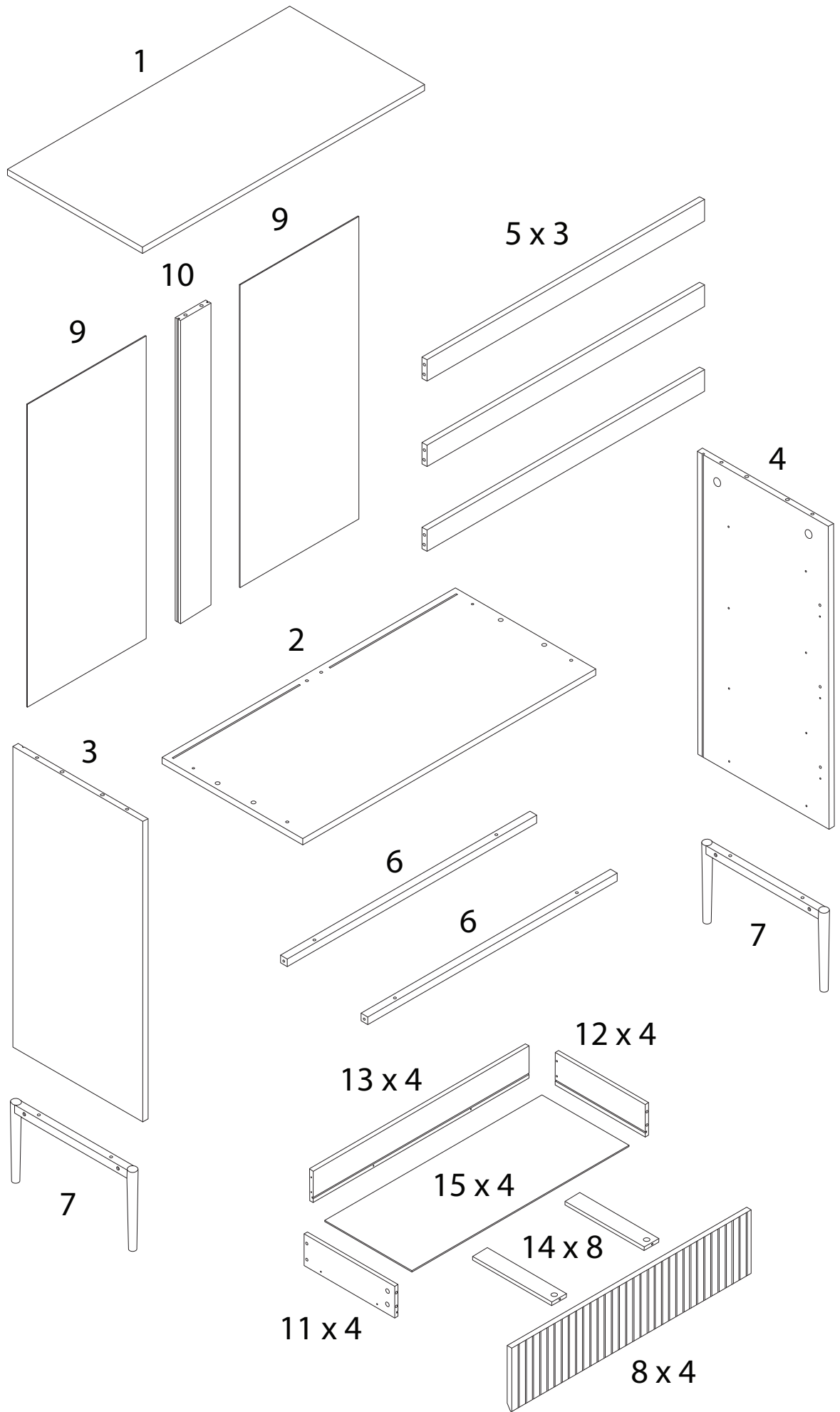




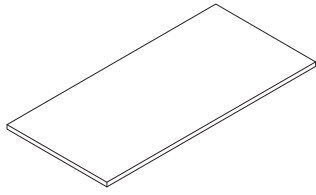
60'



2

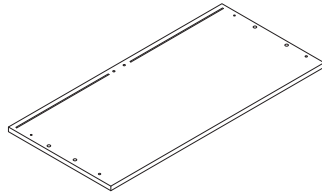


1



x 1

2



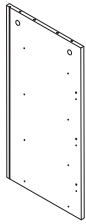
x 1

3



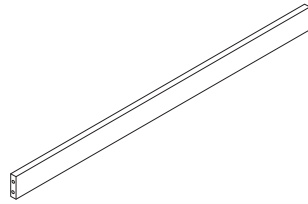
x 1

4



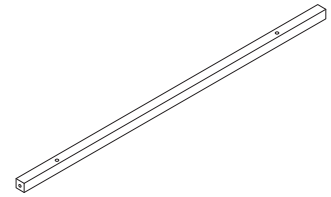
x 1

5



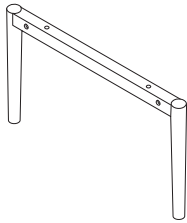
x 3

6



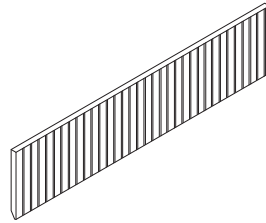
x 2

7



x 2

8



x 4

9



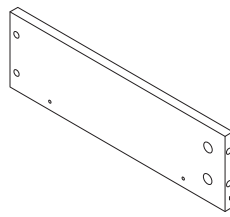
x 2

10



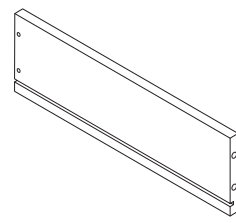
x 1

11



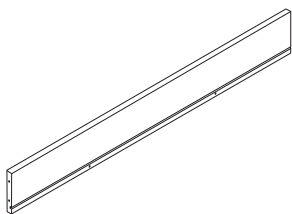
x 4

12



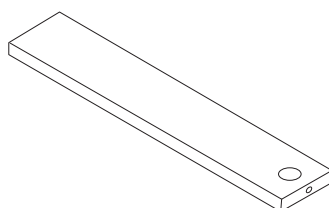
x 4

13



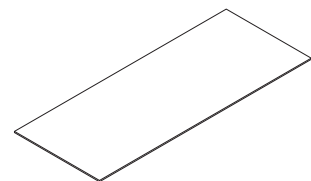
x 4

14



x 8

15



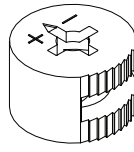
x 4

A



x 36

B



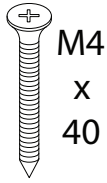
x 36

C



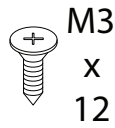
x 14

D



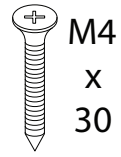
x 6

E



x 32

F



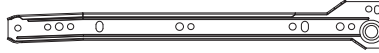
x 24

CL



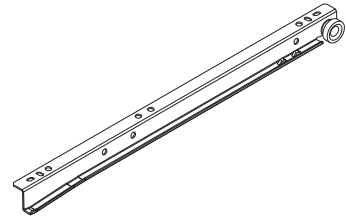
x 4

CR



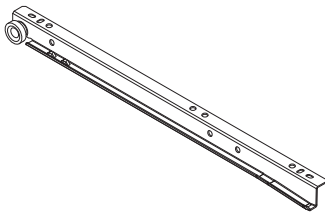
x 4

DL



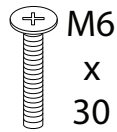
x 4

DR



x 4

H



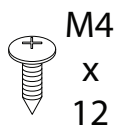
x 12

I



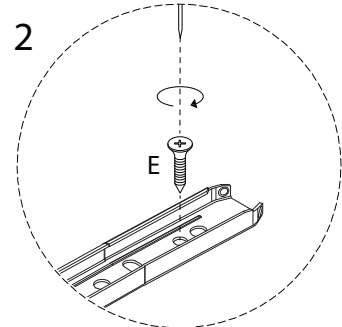
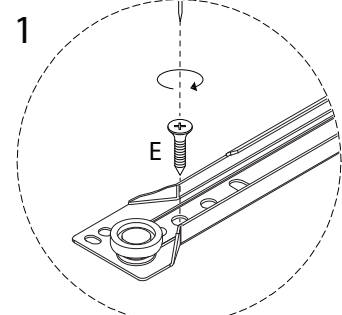
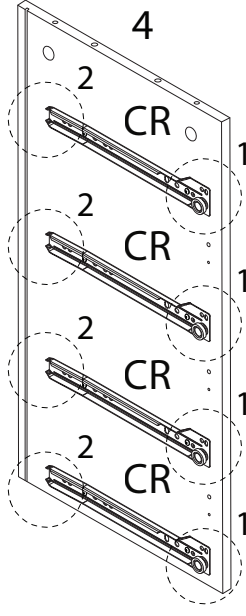
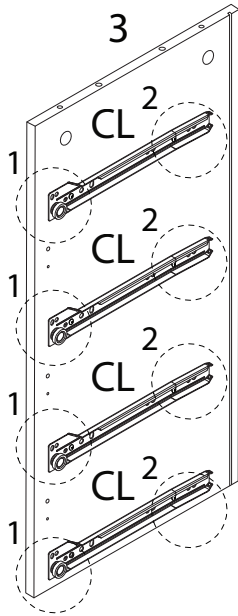
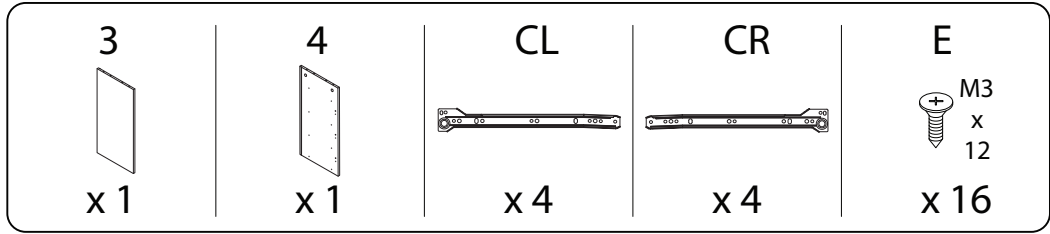
x 1

J

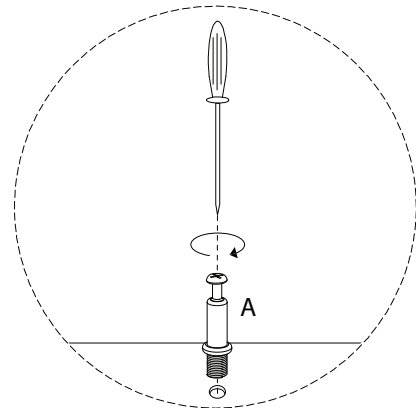
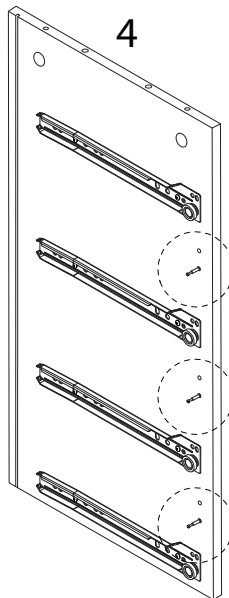
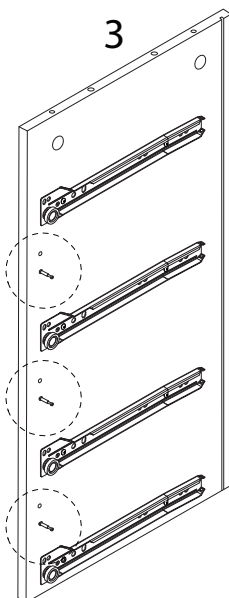
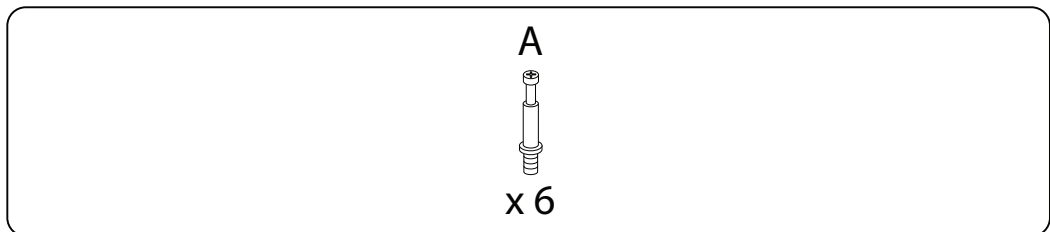


x 1

1

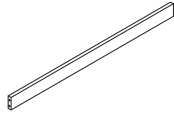


2



3 x 3

5

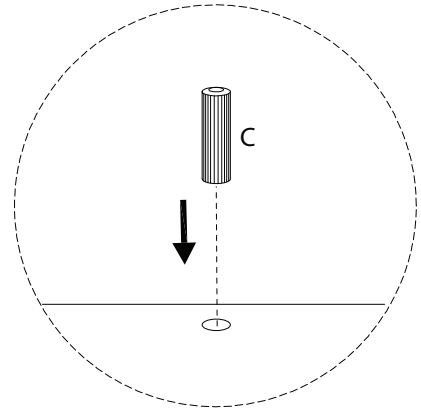
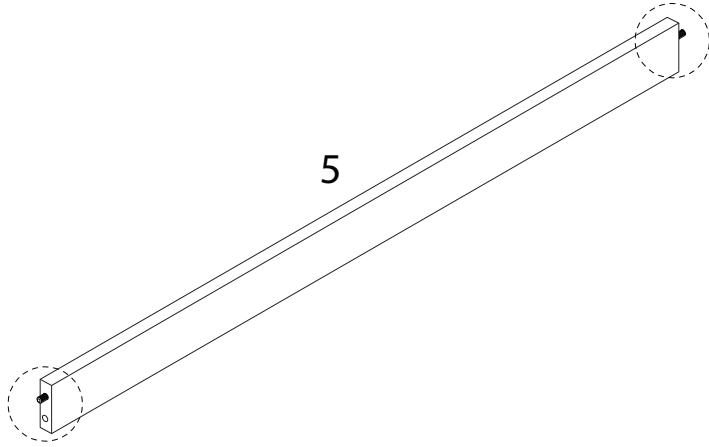


x 1

C



x 2

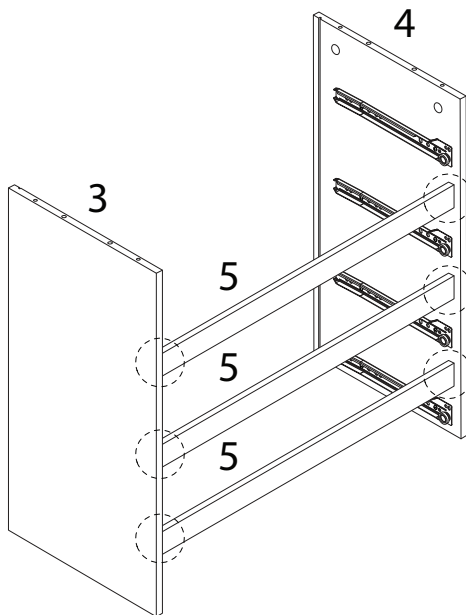


4

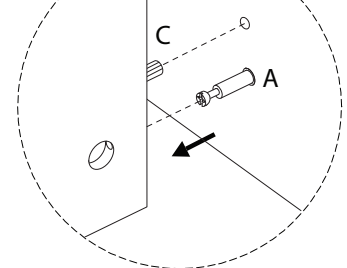
B



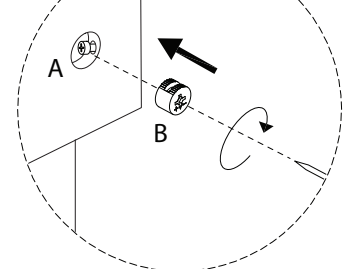
x 6



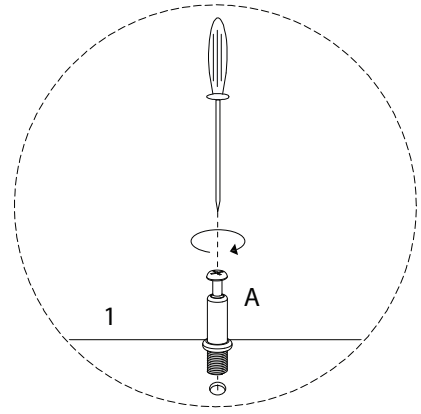
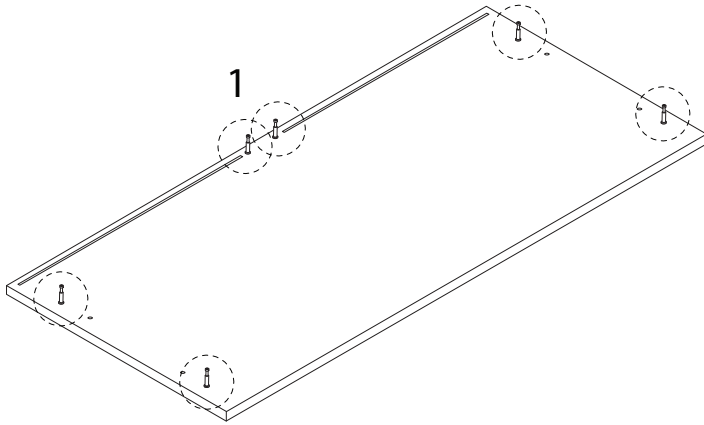
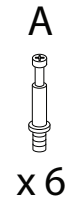
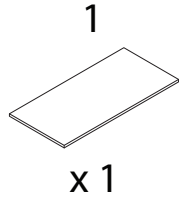
1a



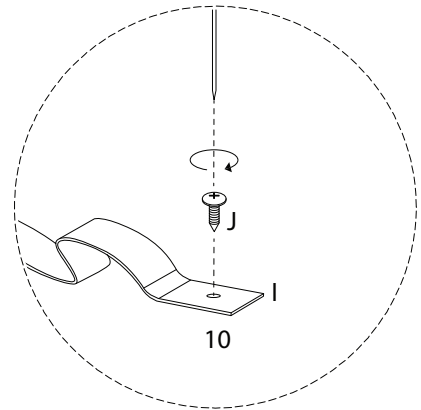
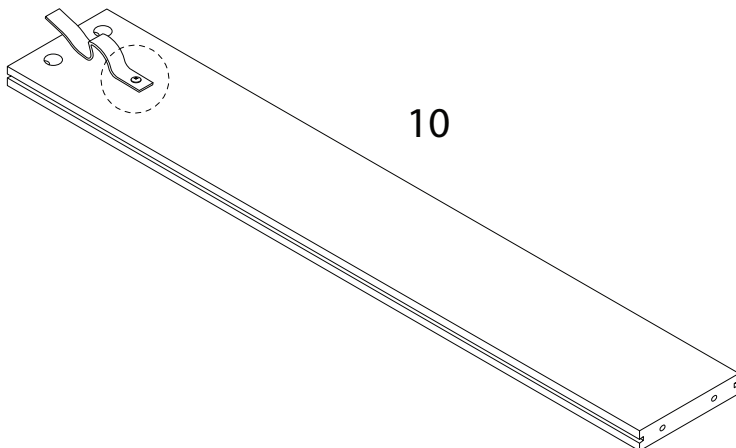
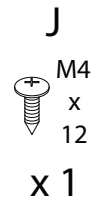
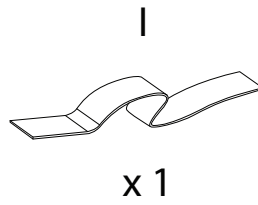
1b



5



6

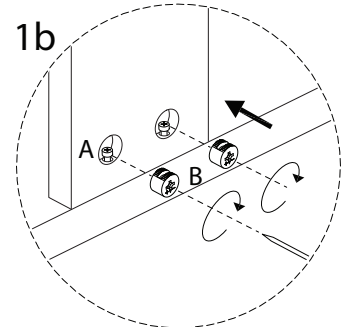
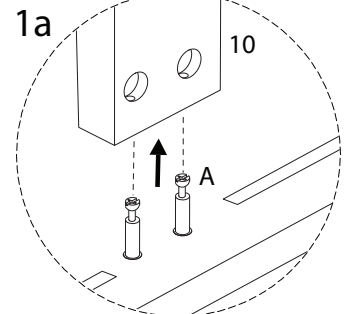
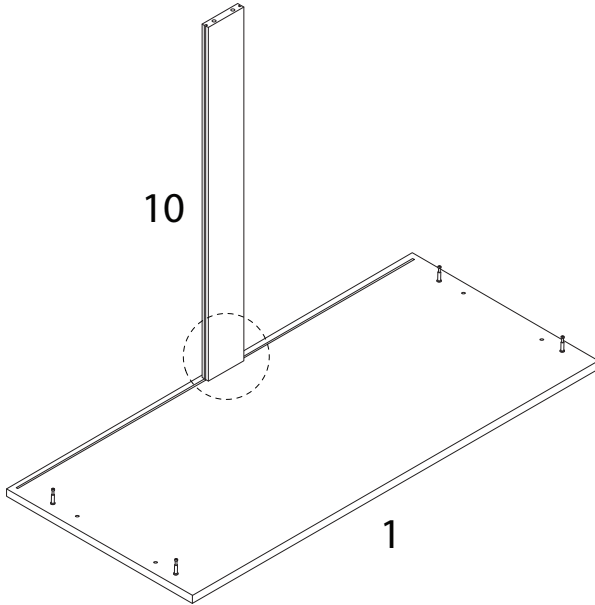


7

B



x 2

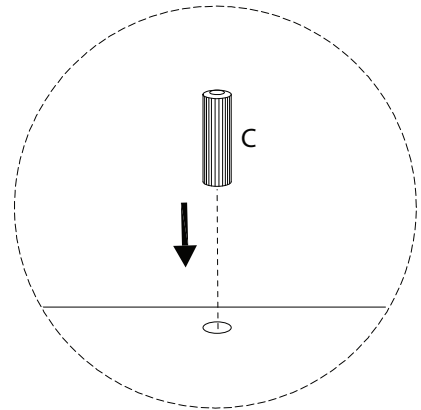
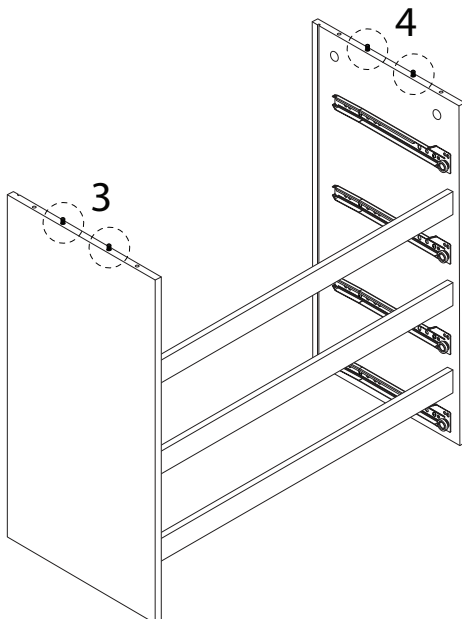


8

C



x 4

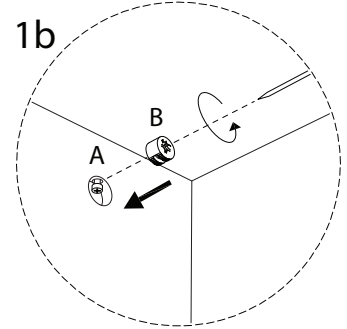
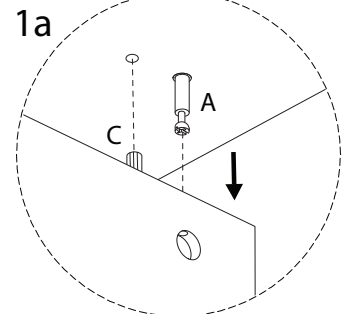
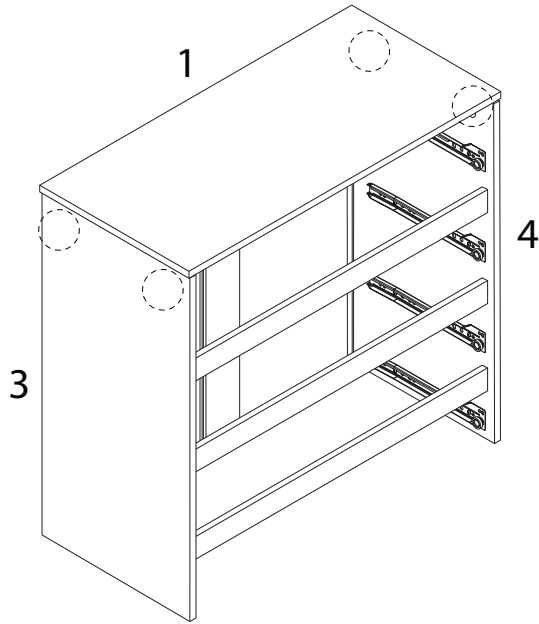


9

B



x 4

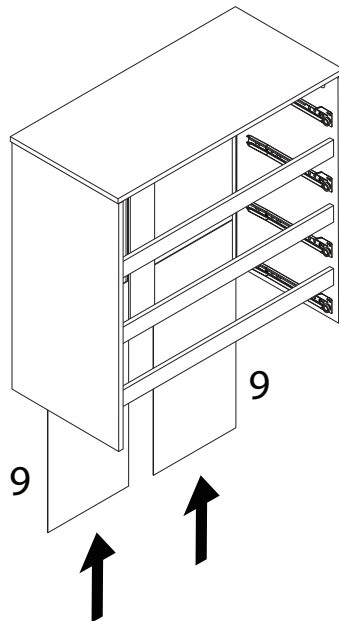


10

9

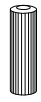


x 2

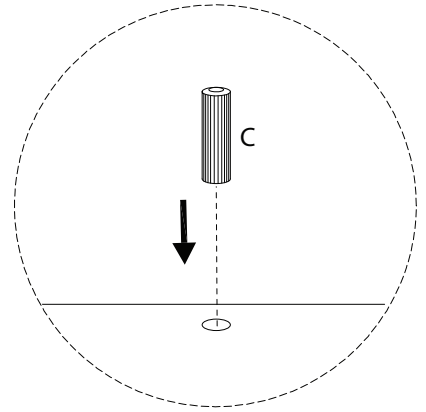
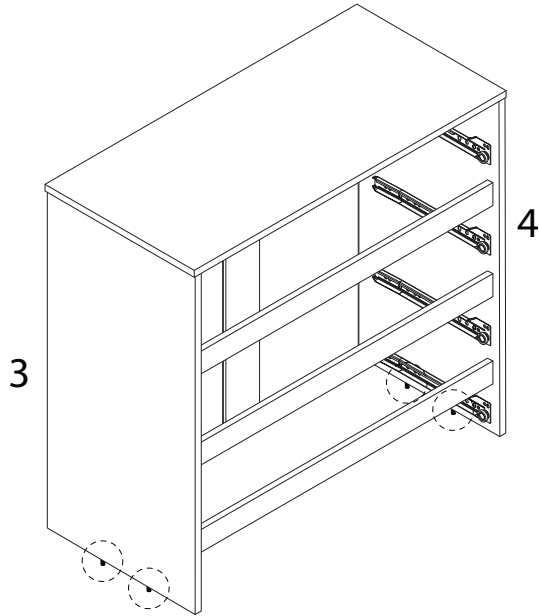


11

C

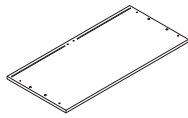


x 4



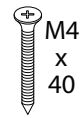
12

2

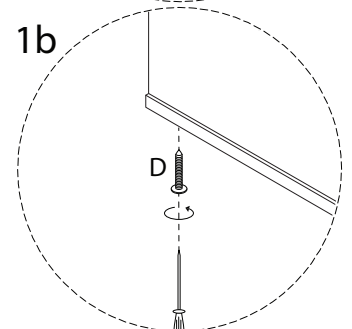
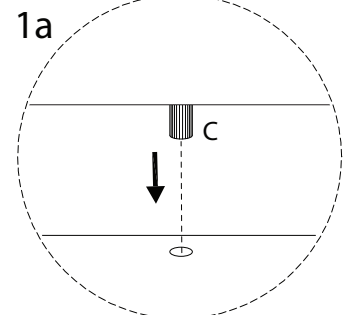
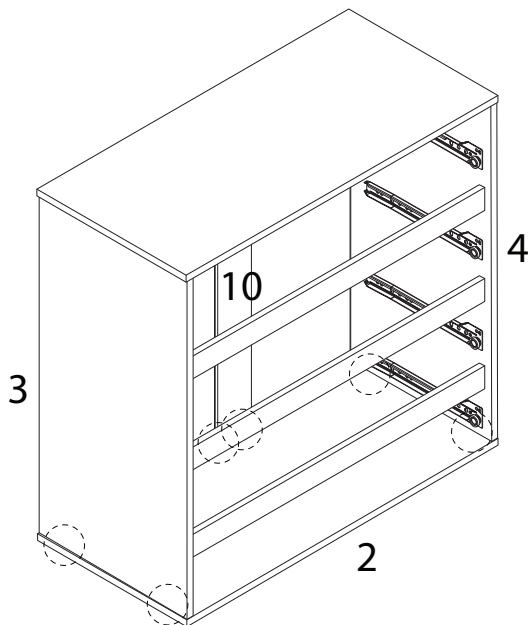


x 1

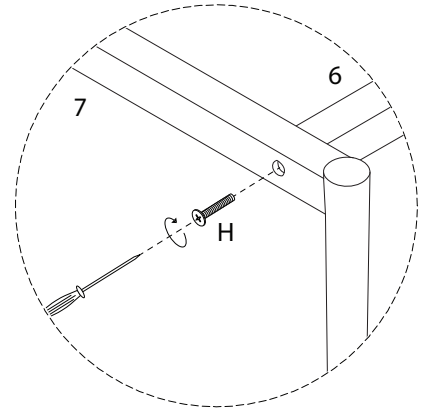
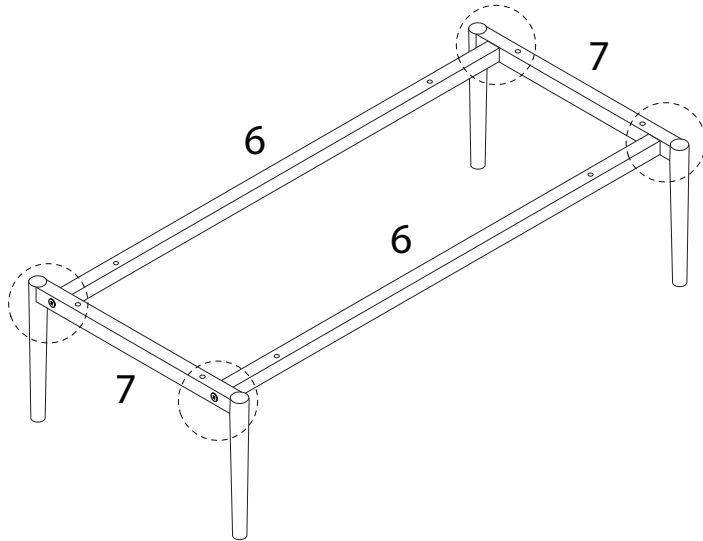
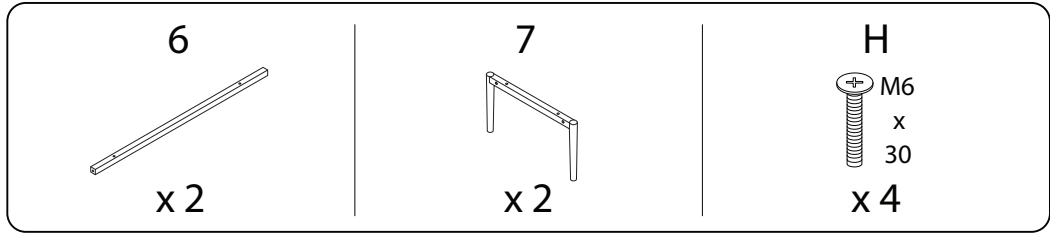
D



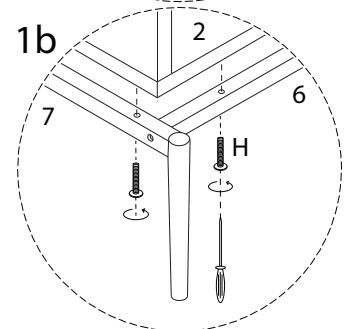
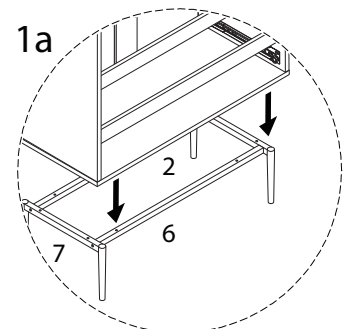
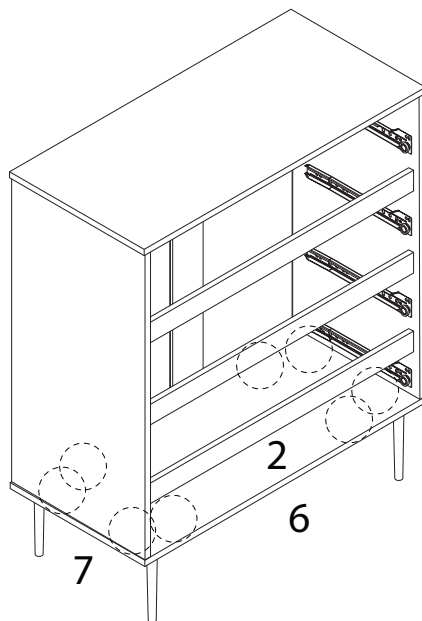
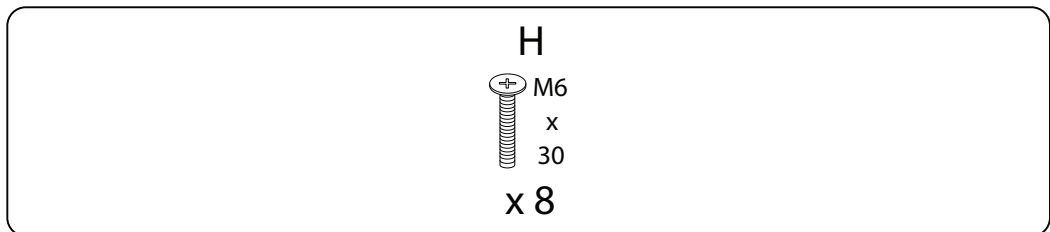
x 6



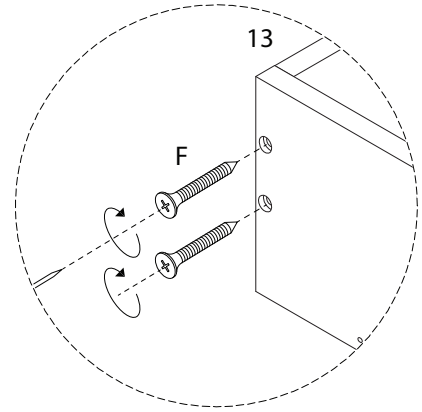
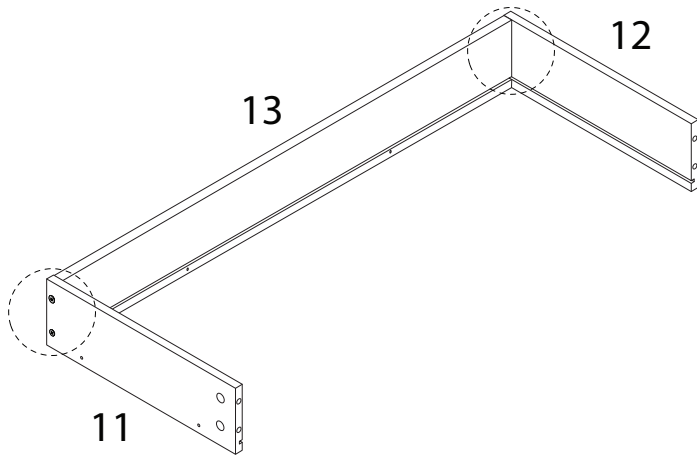
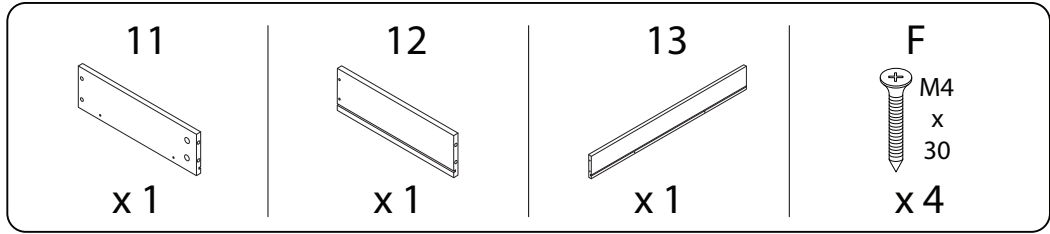
13



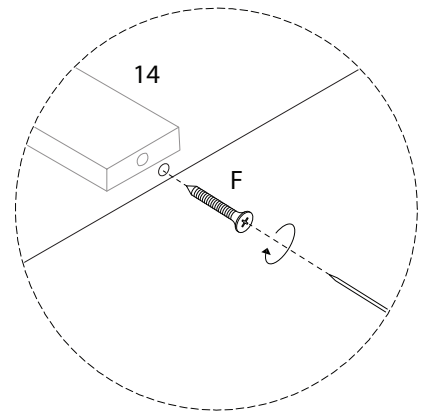
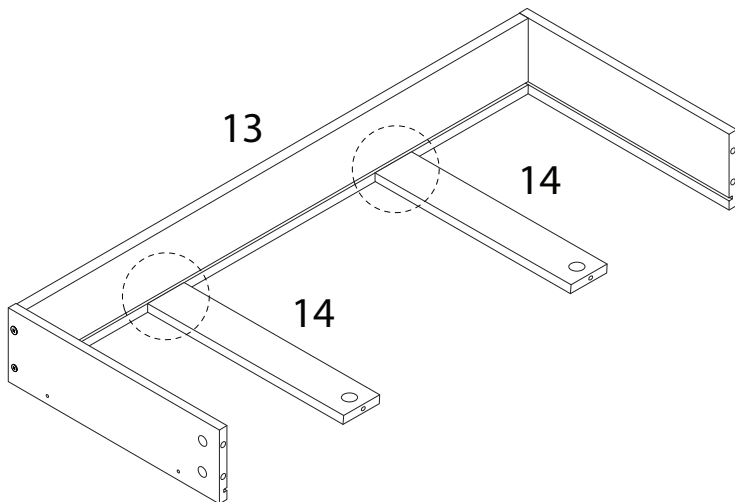
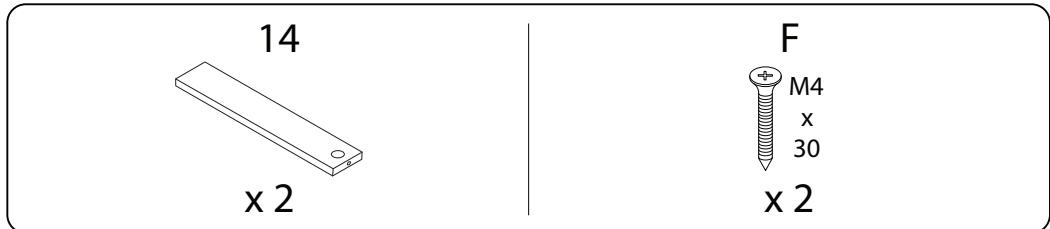
14



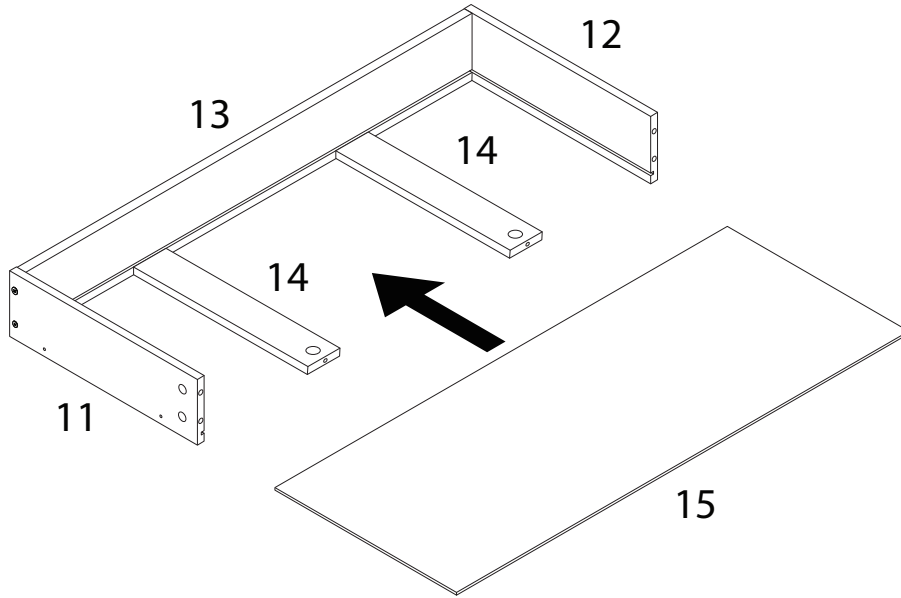
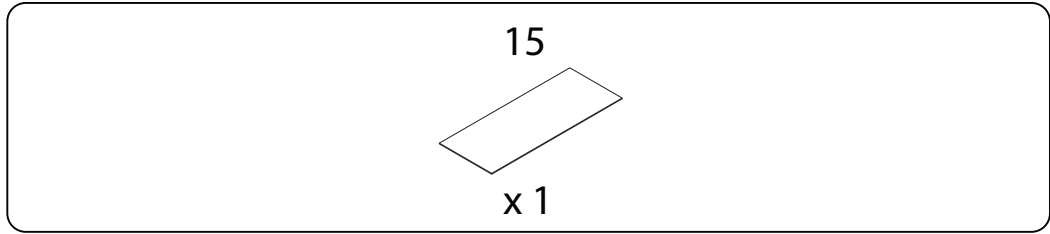
15 x 4



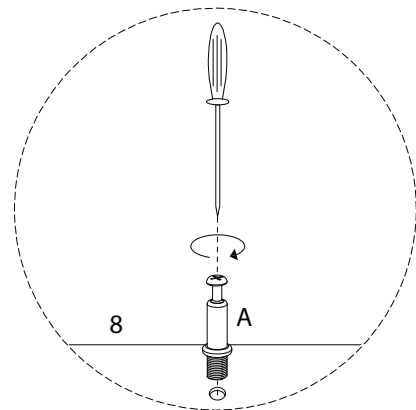
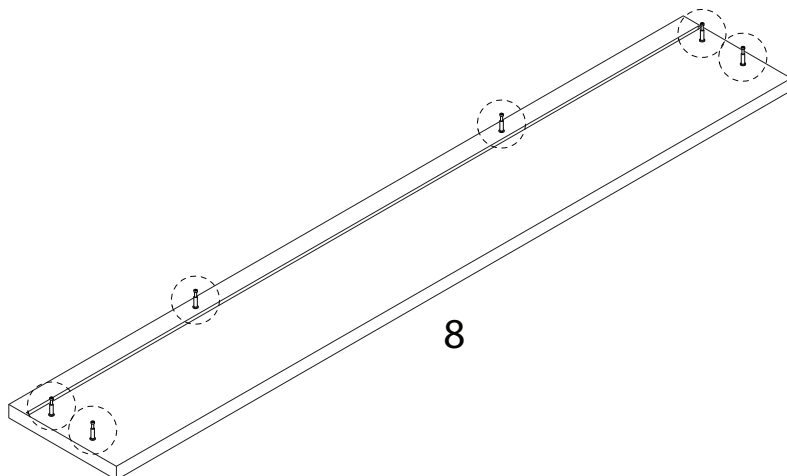
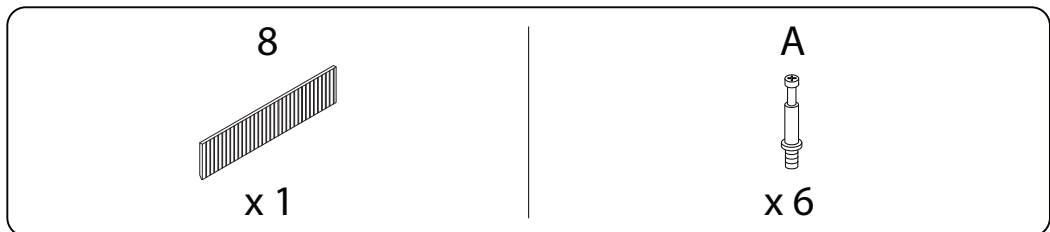
16 x 4



17 x 4



18 x 4

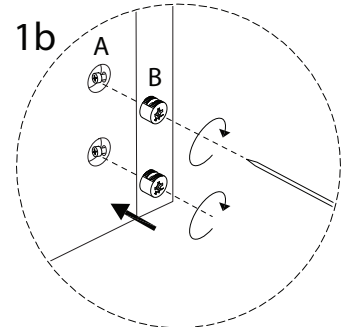
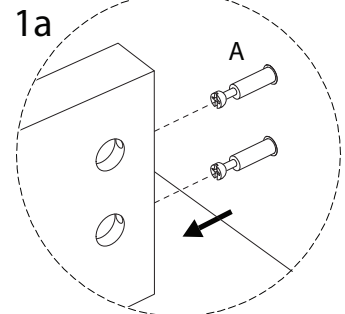
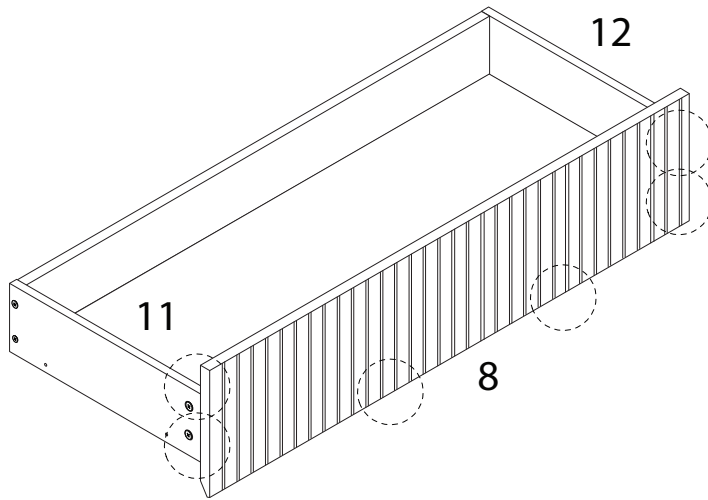


19 x 4

B

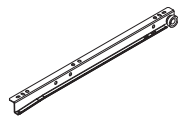


x 6



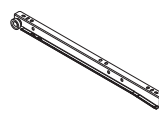
20 x 4

DL



x 1

DR

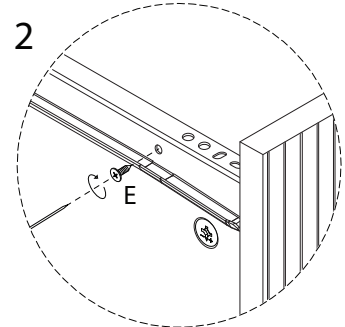
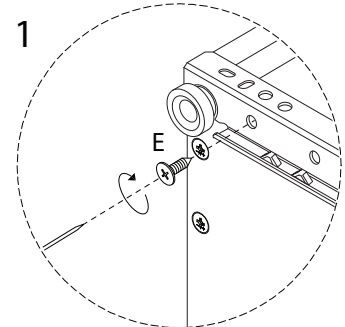
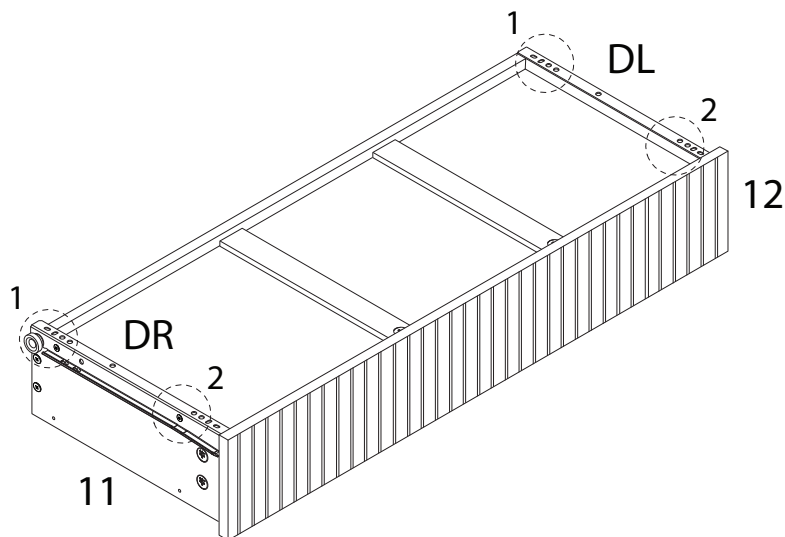


x 1

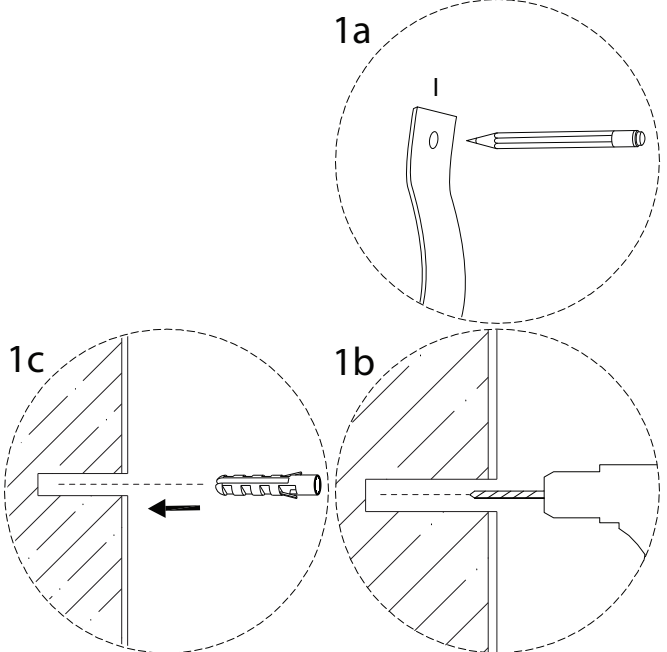
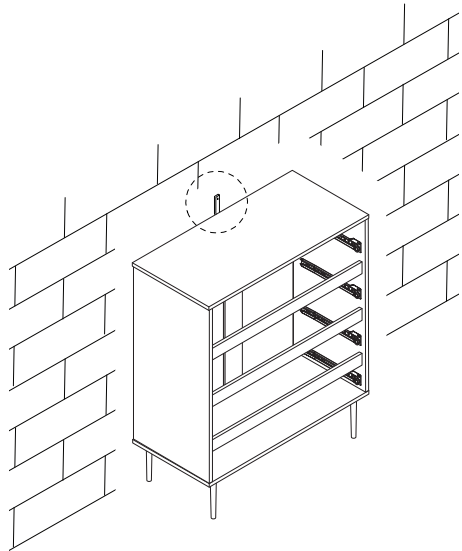
E



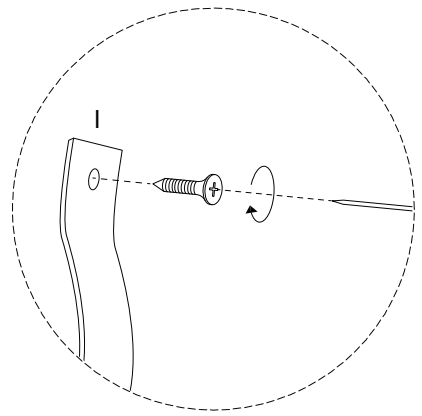
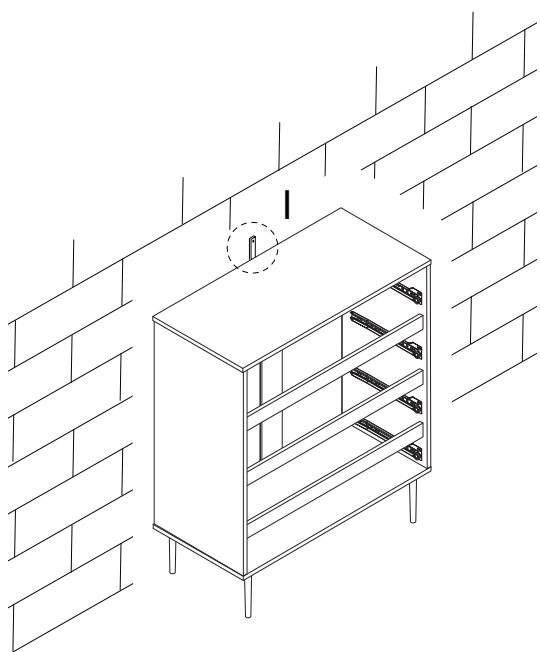
x 4



21



22



23

