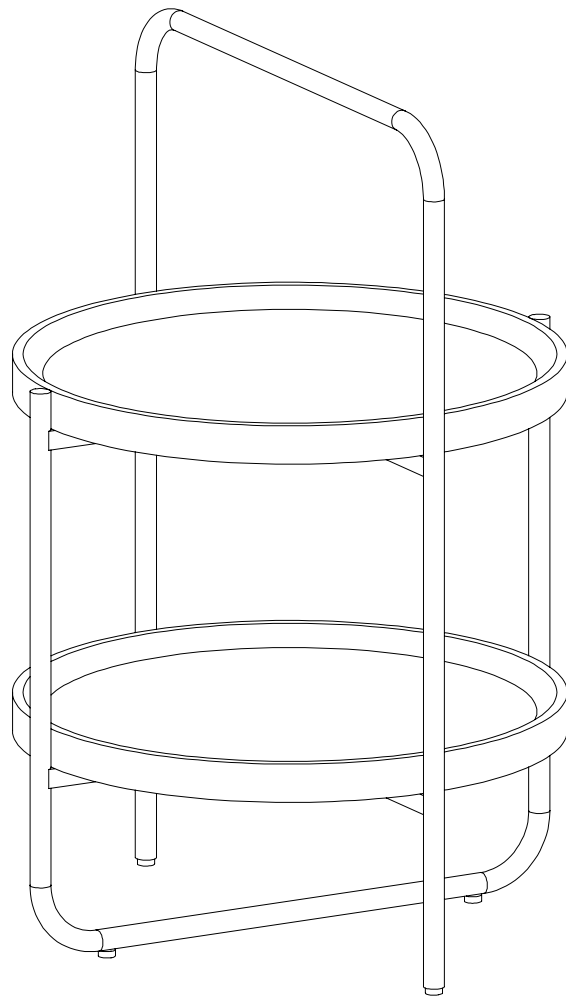
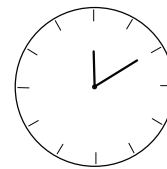
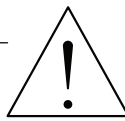
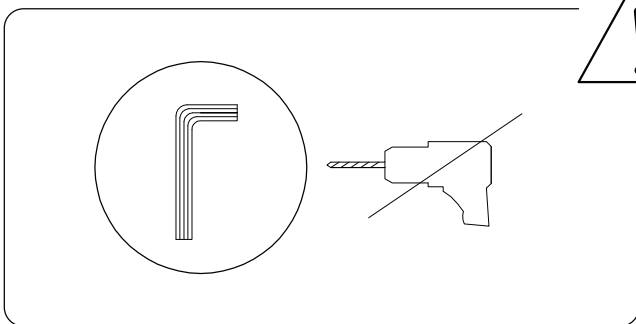
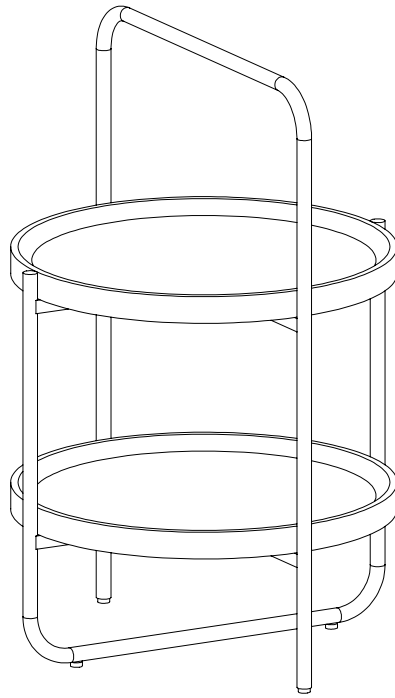
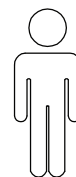
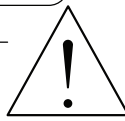
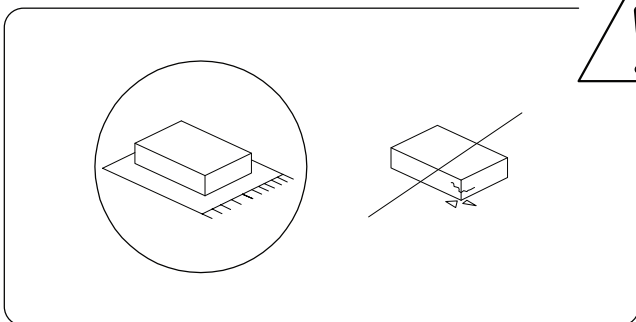


EVART





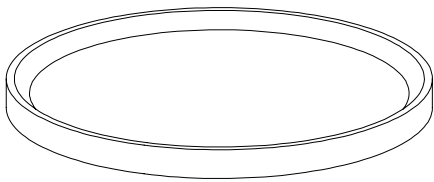
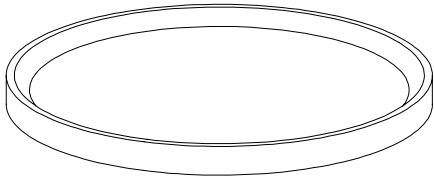
10'



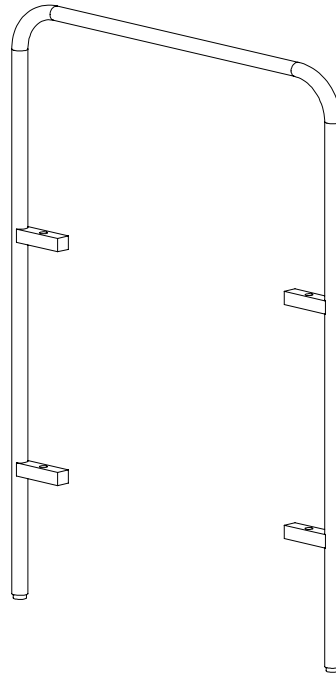
1

1/3

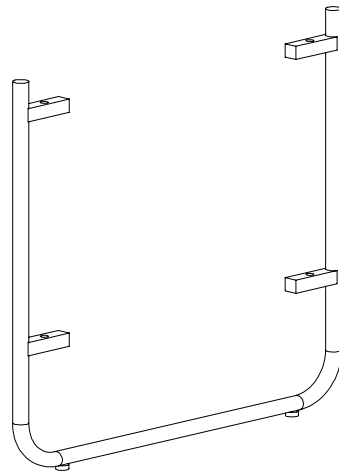
1 x 2


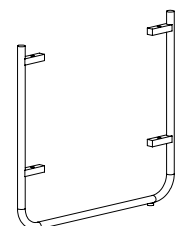
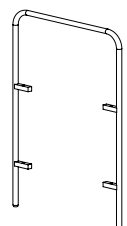

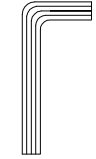


3



2



<p>1</p>  <p>x 2</p>	<p>2</p>  <p>x 1</p>	<p>3</p>  <p>x 1</p>	<p>A</p>  <p>M6 x 20</p> <p>x 8</p>	<p>B</p>  <p>x 1</p>
---	---	---	---	---

1

