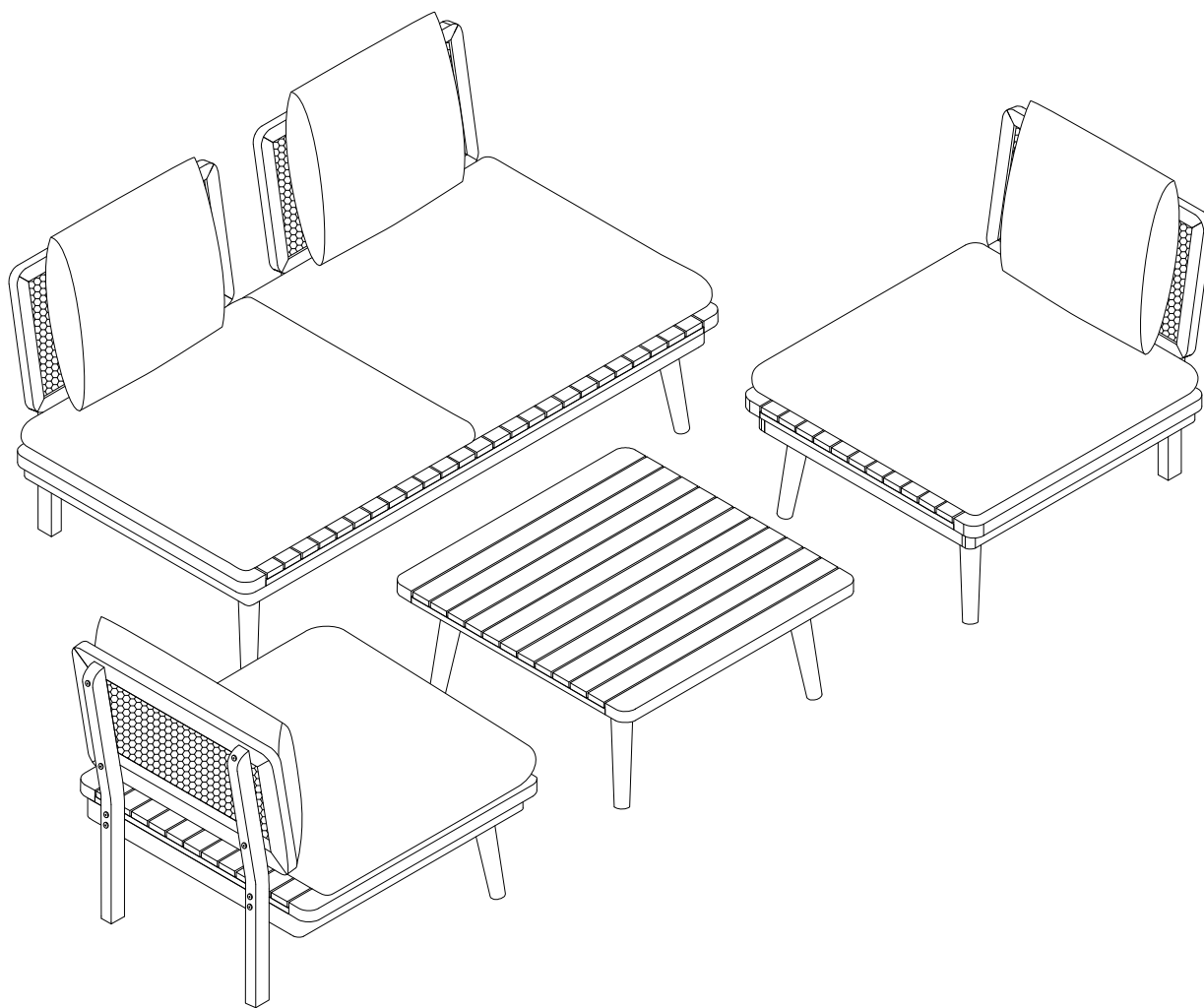
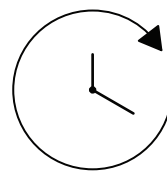
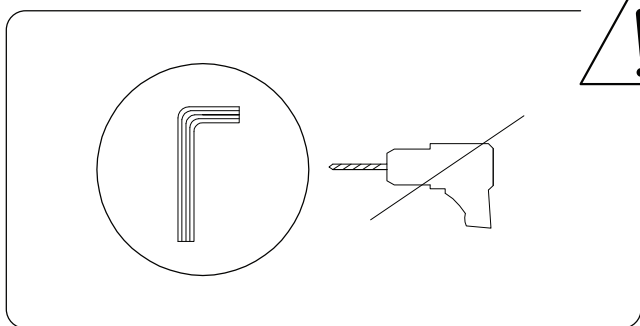
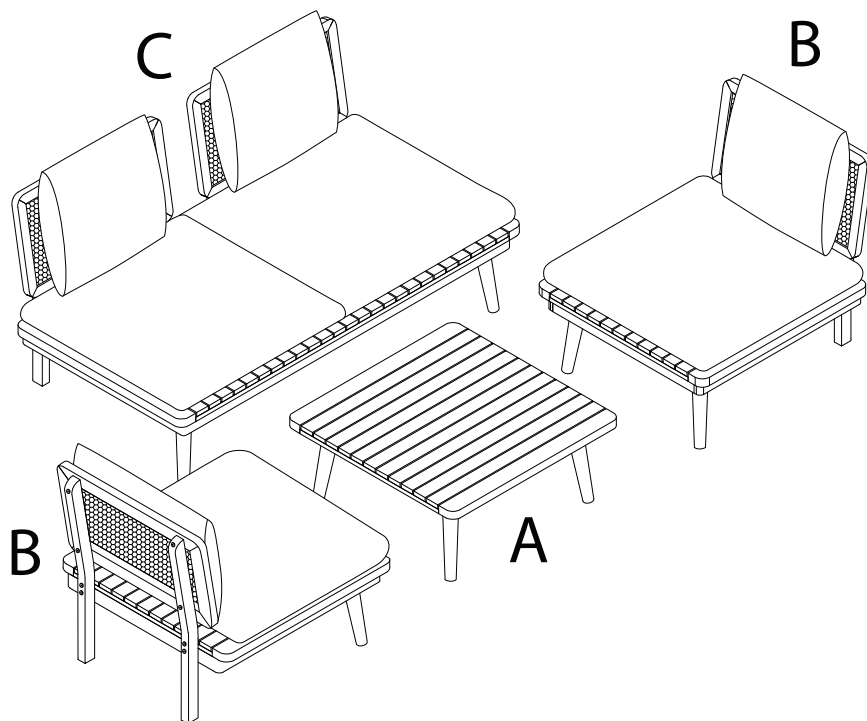
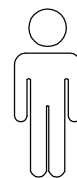
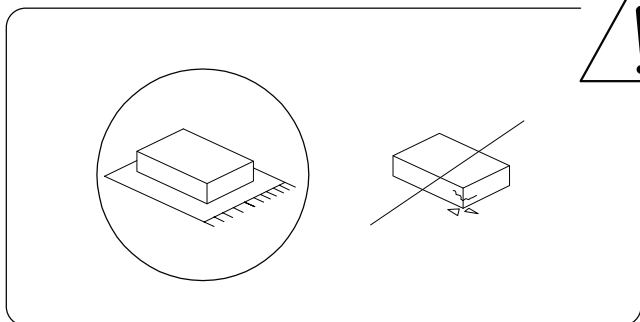


ACCADIA



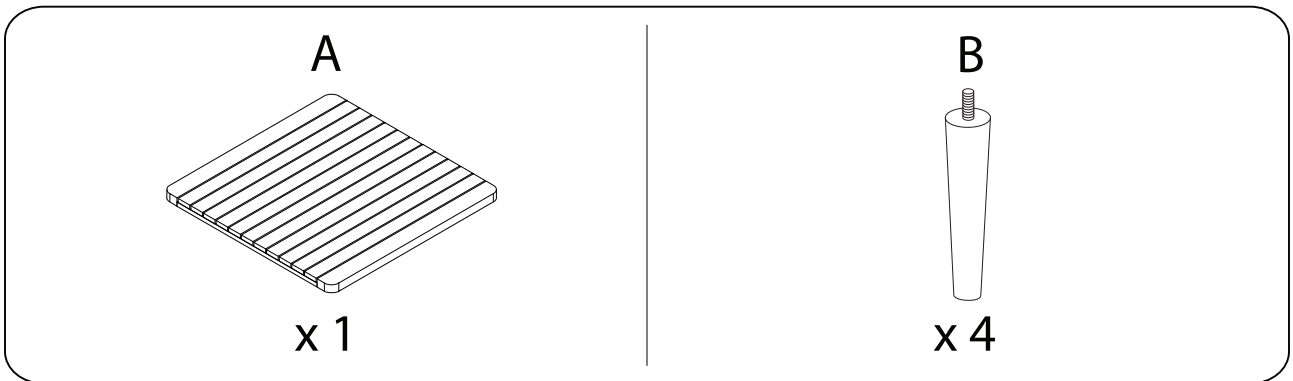
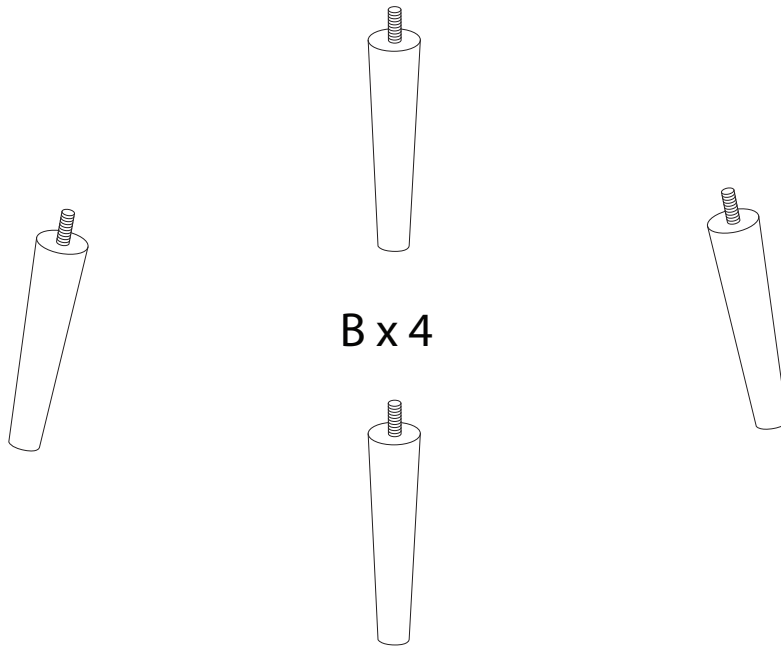
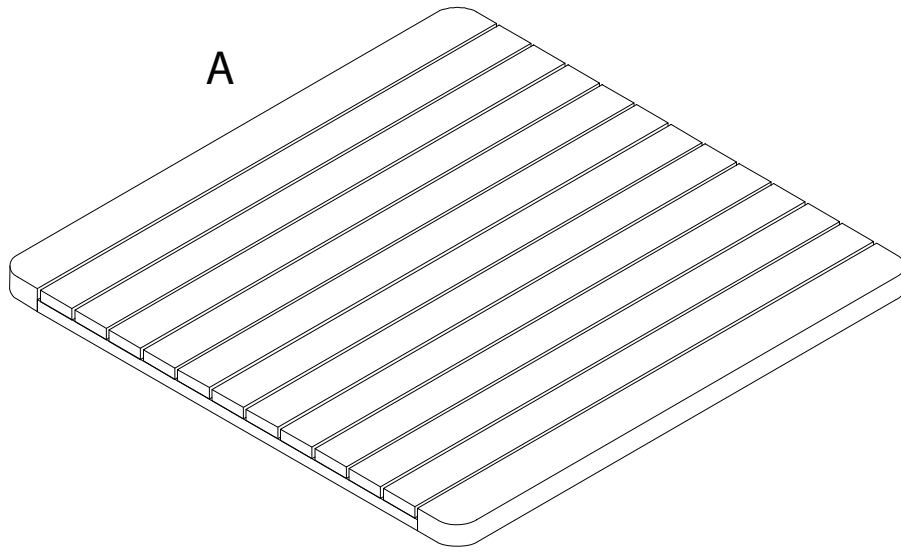


30'

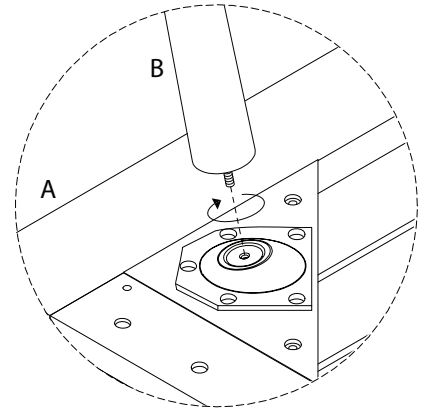
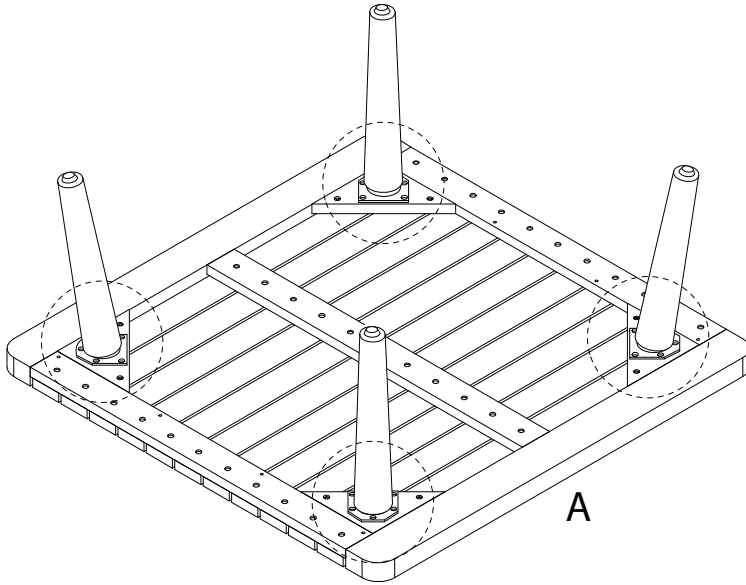
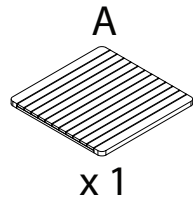


1

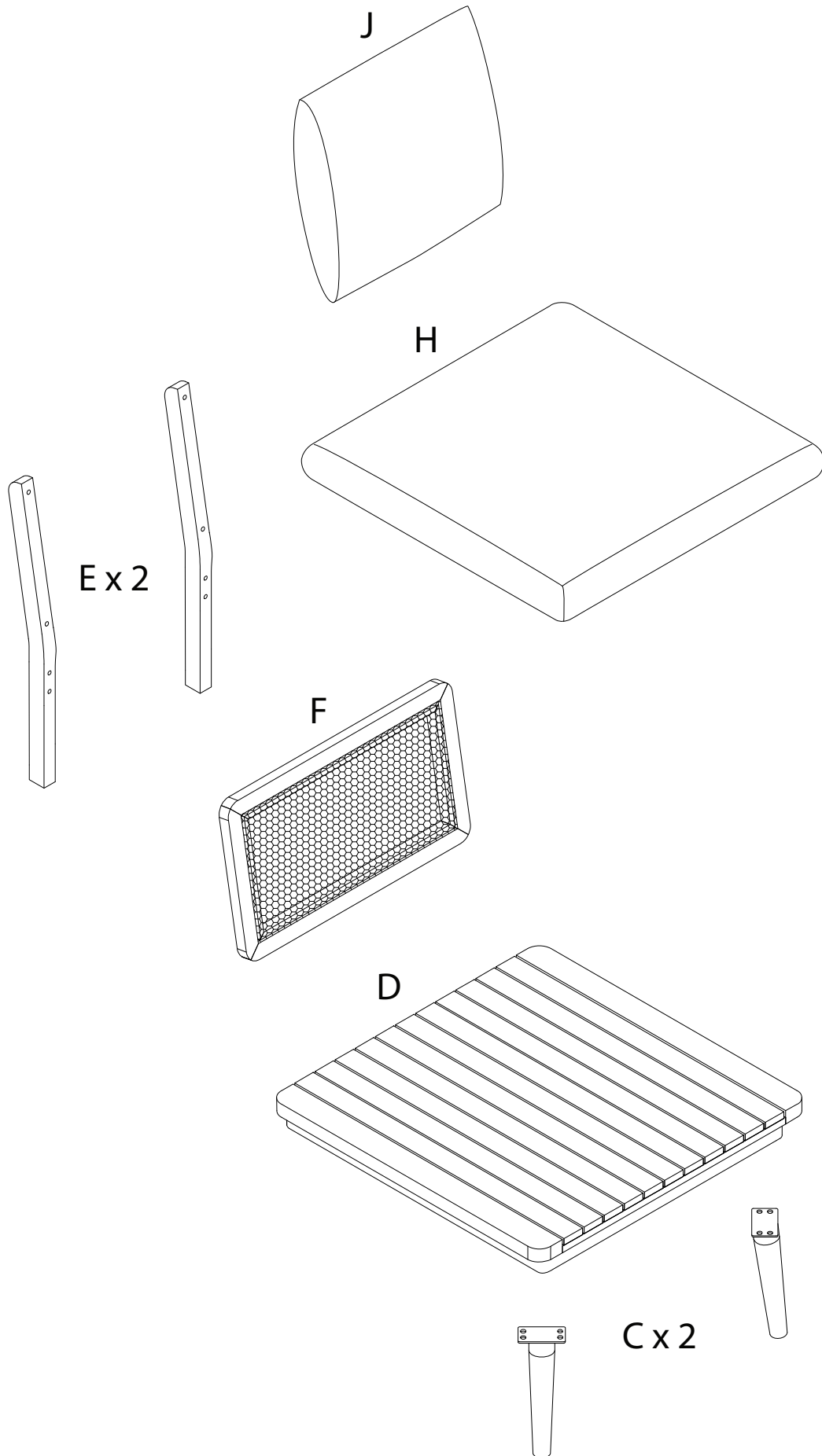
A

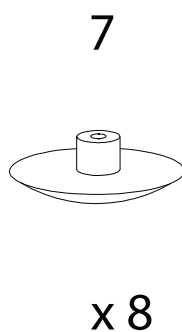
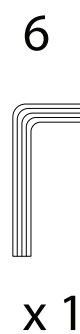
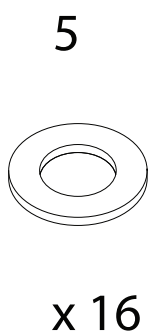
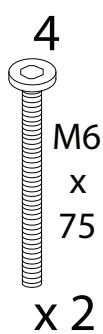
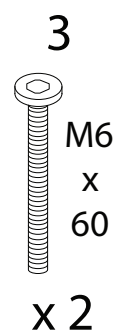
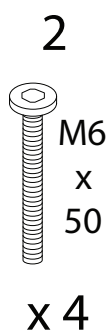
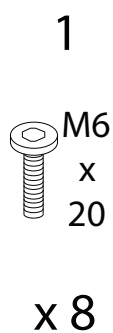
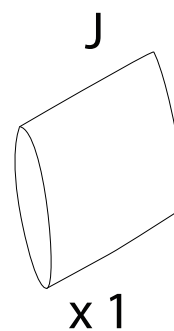
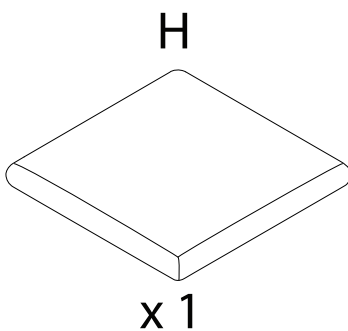
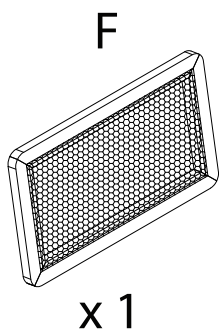
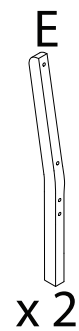
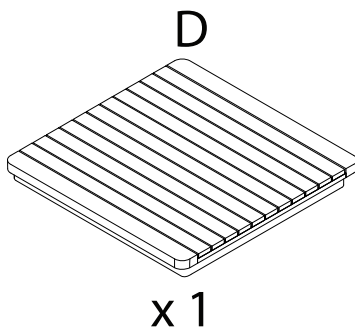


1

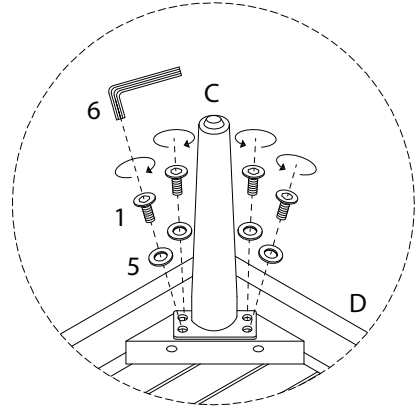
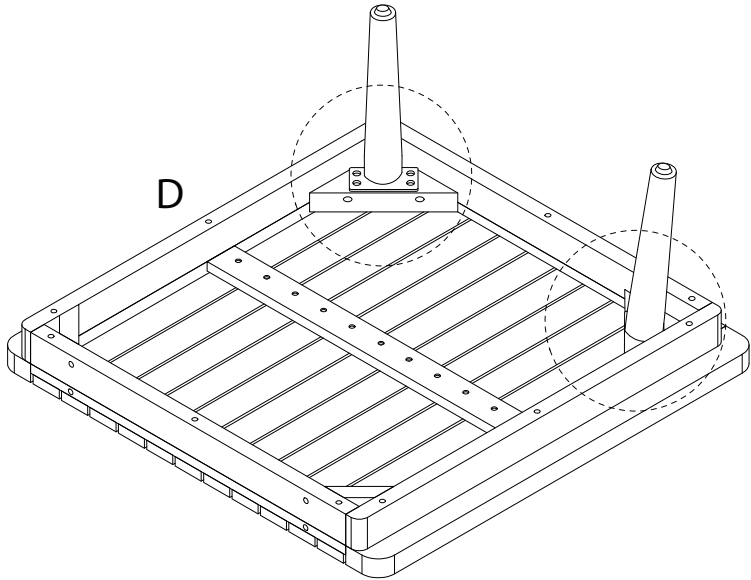
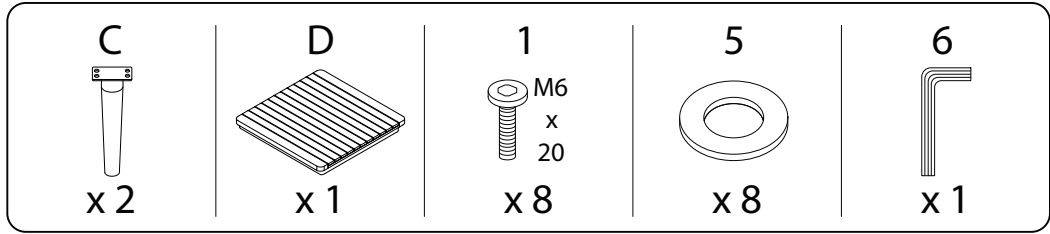


B x 2

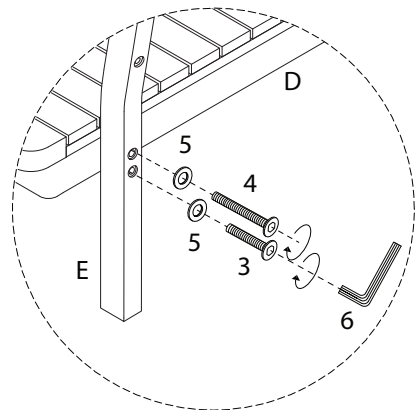
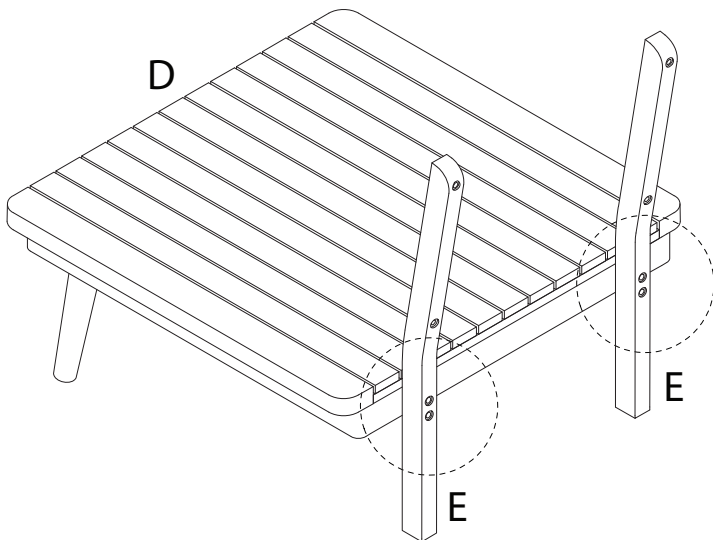
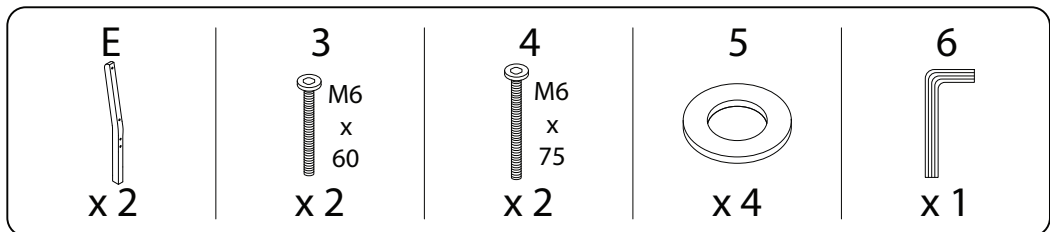




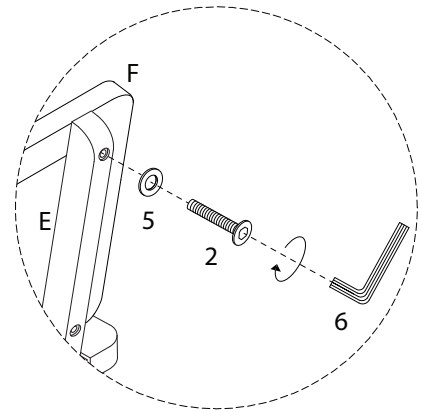
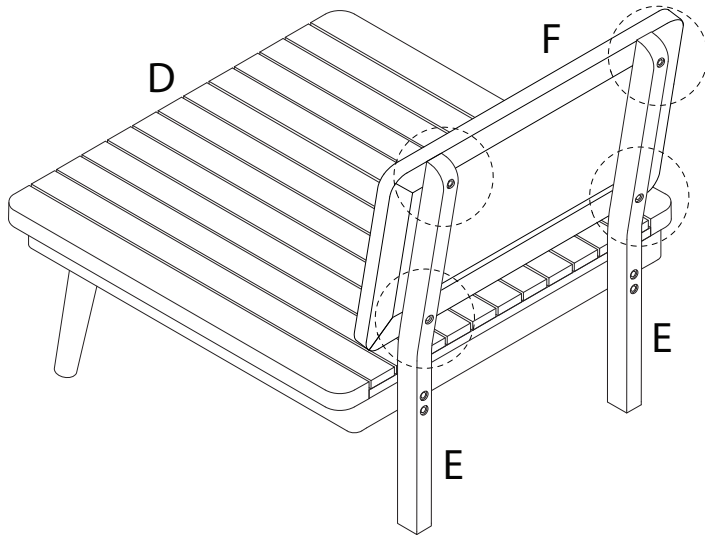
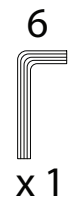
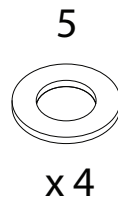
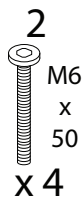
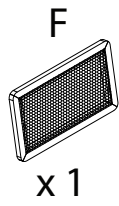
1



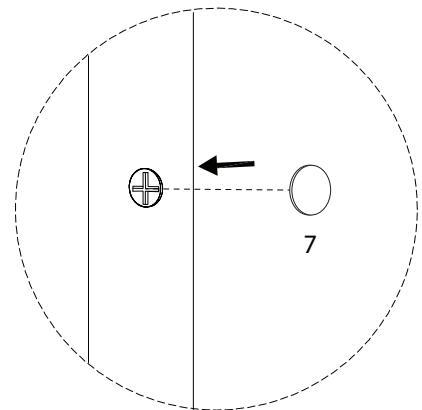
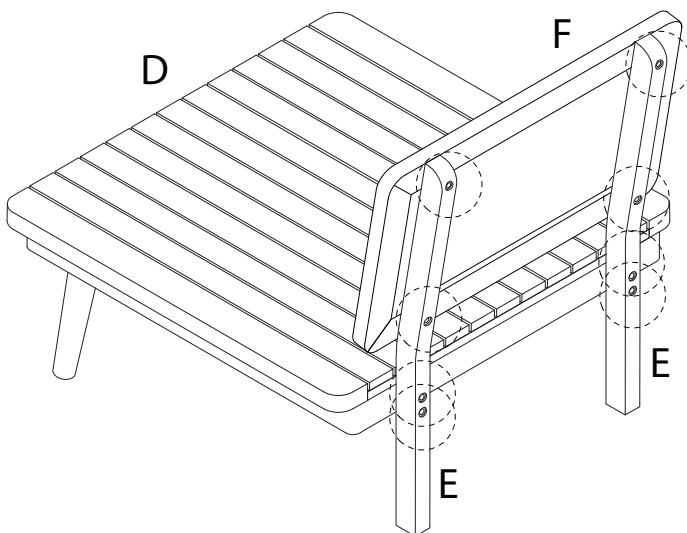
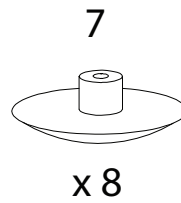
2



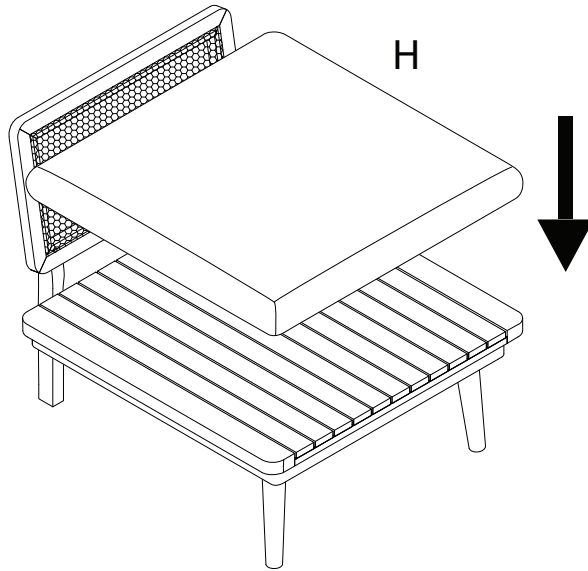
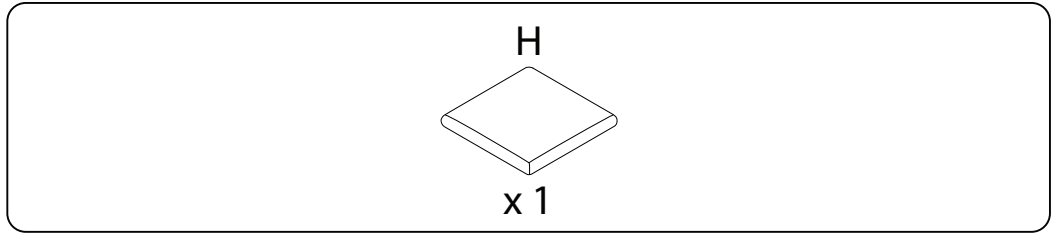
3



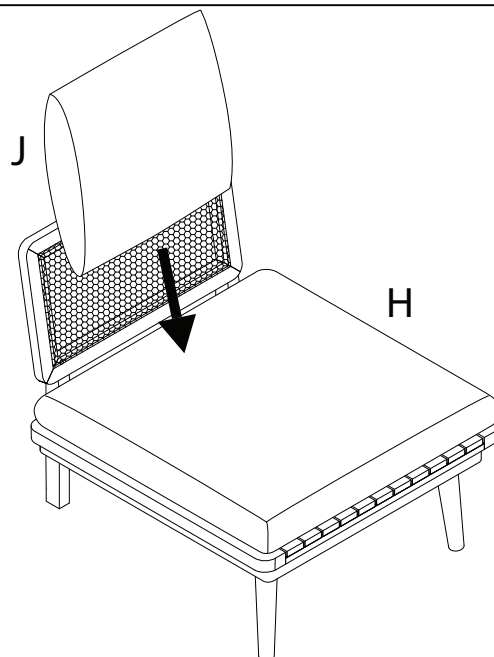
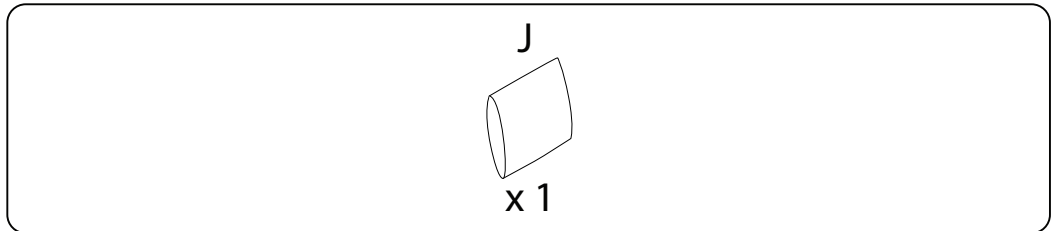
4



5

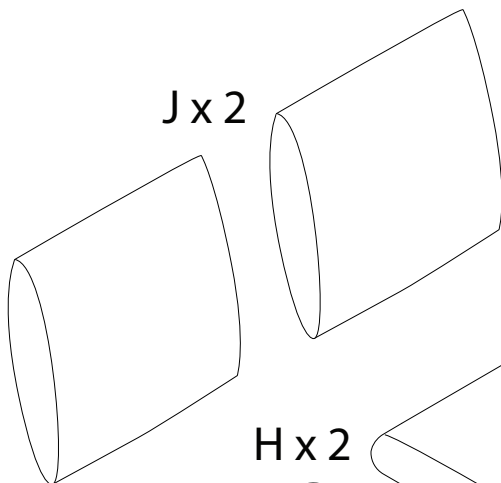


6

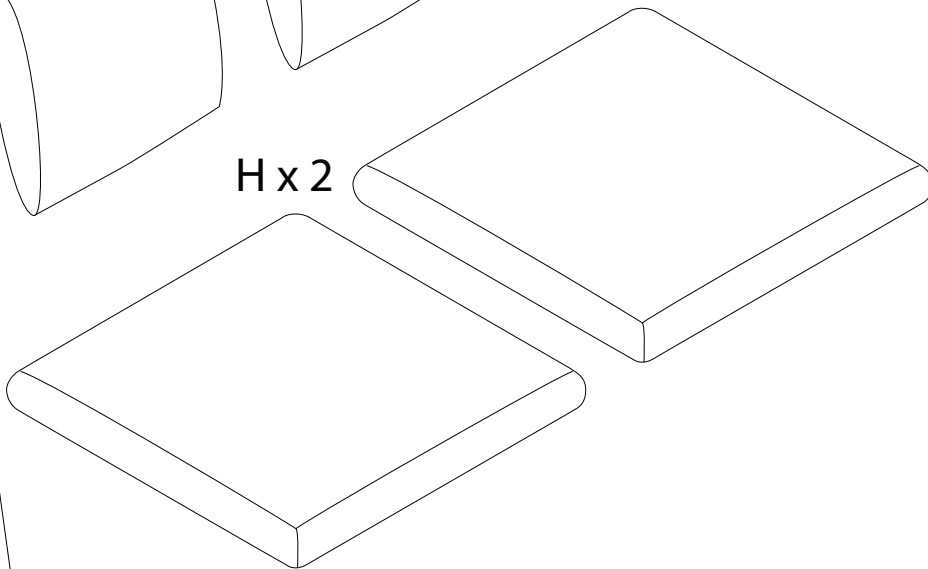


C

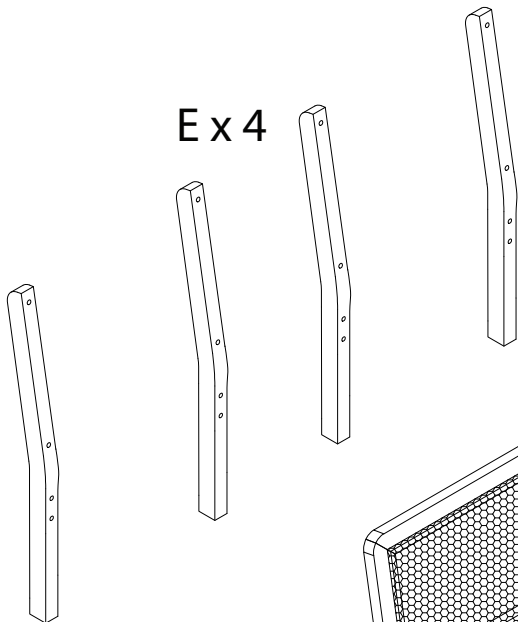
J x 2



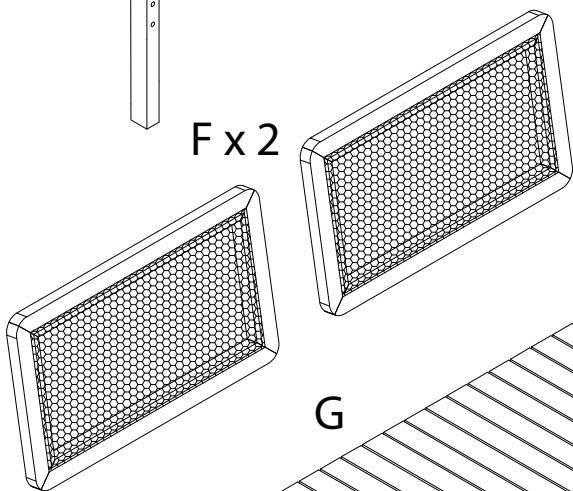
H x 2



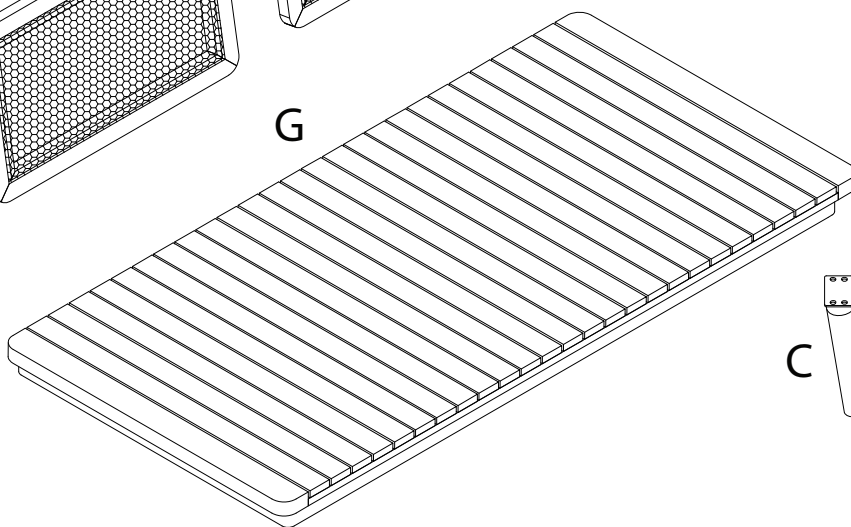
E x 4



F x 2



G

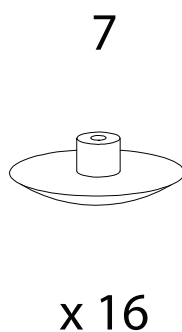
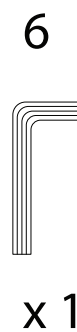
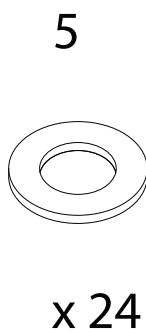
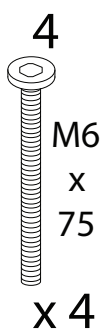
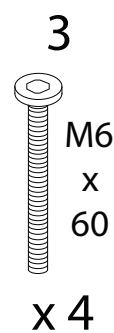
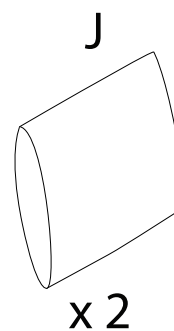
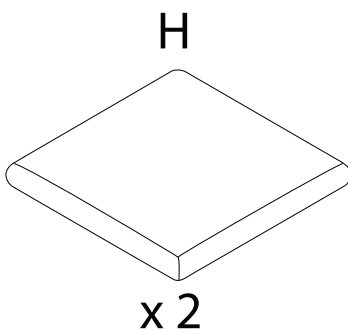
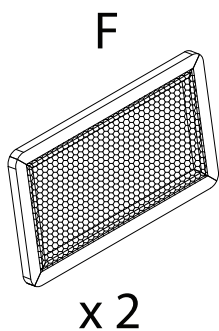
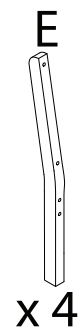
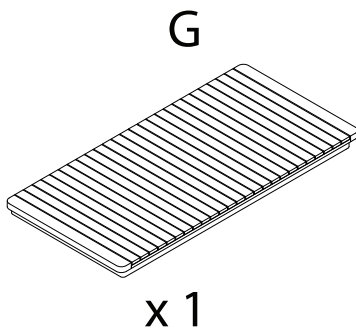


C

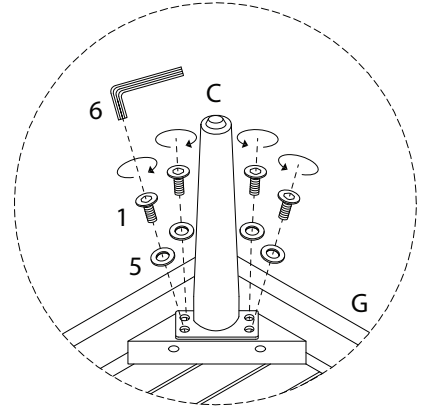
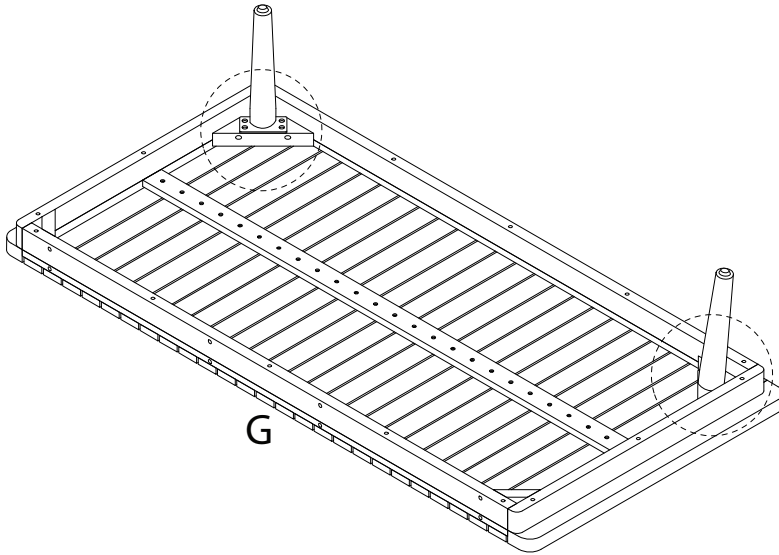
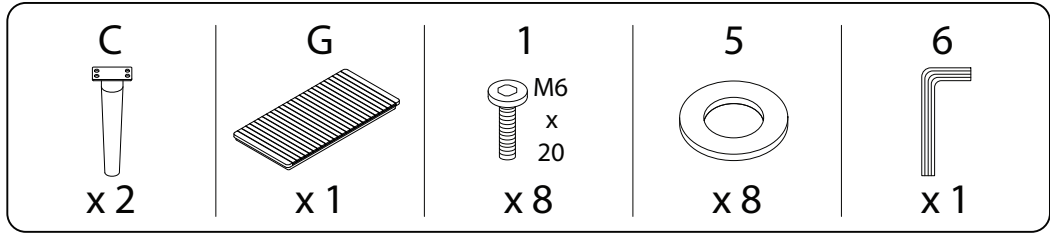


C

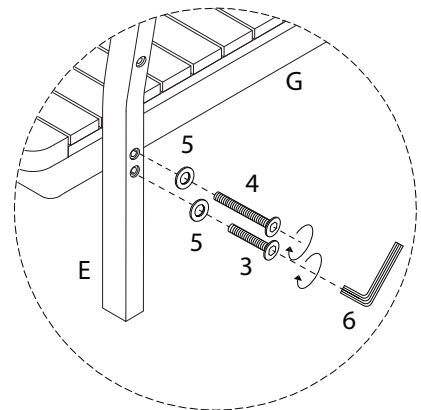
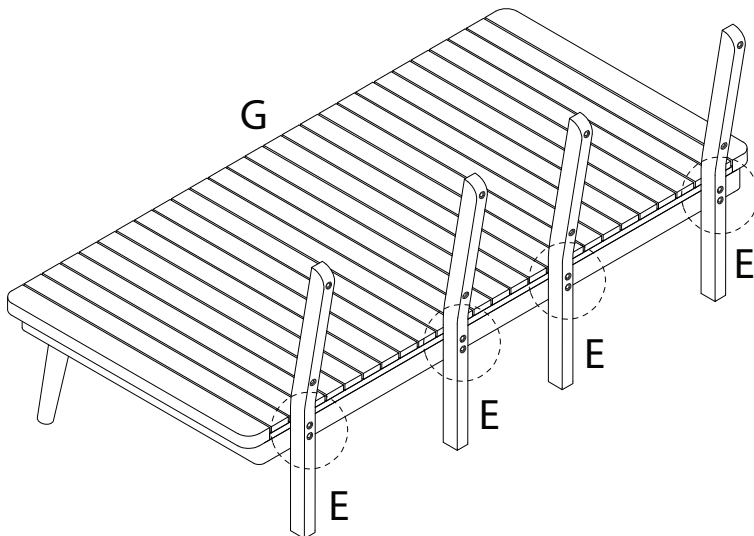
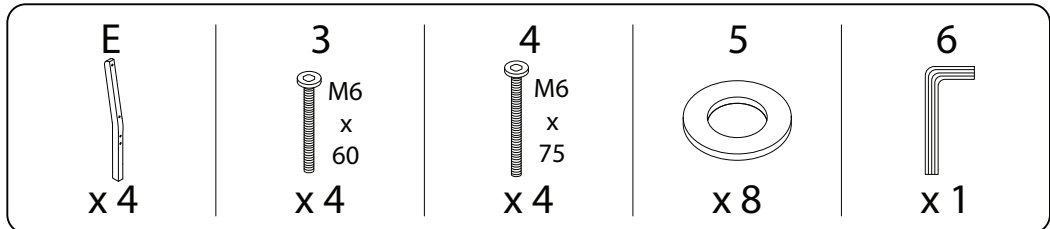




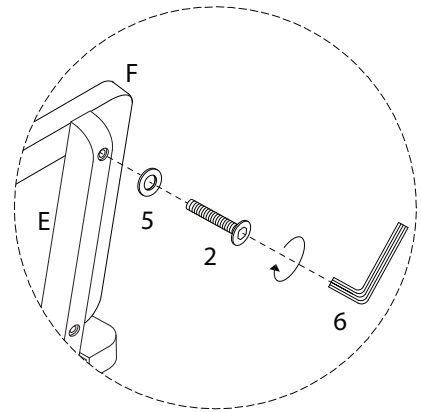
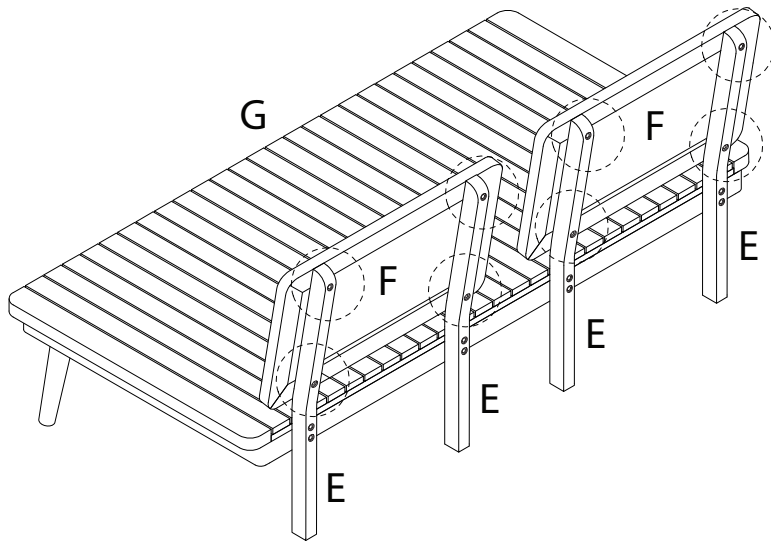
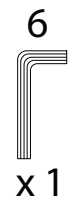
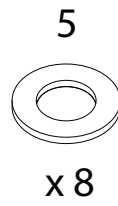
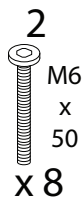
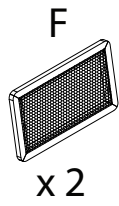
1



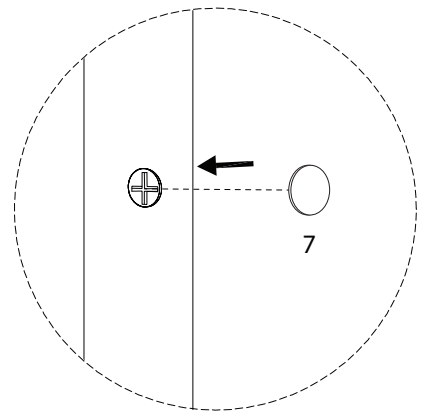
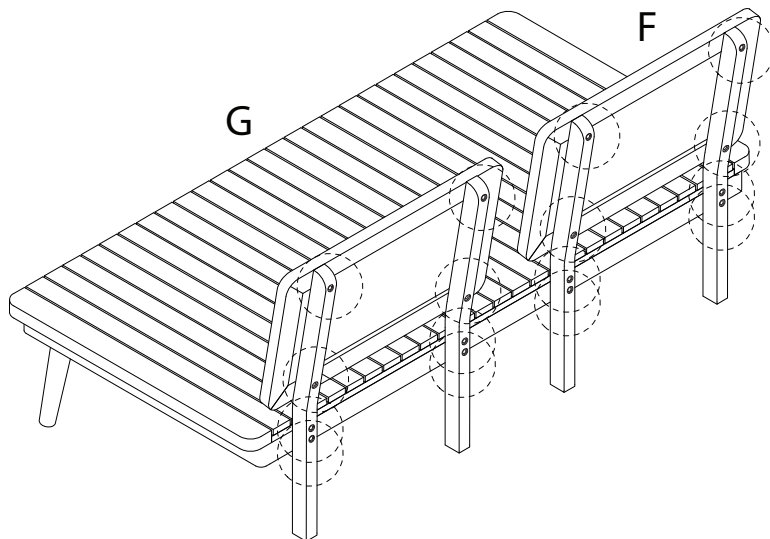
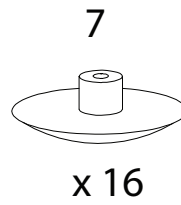
2



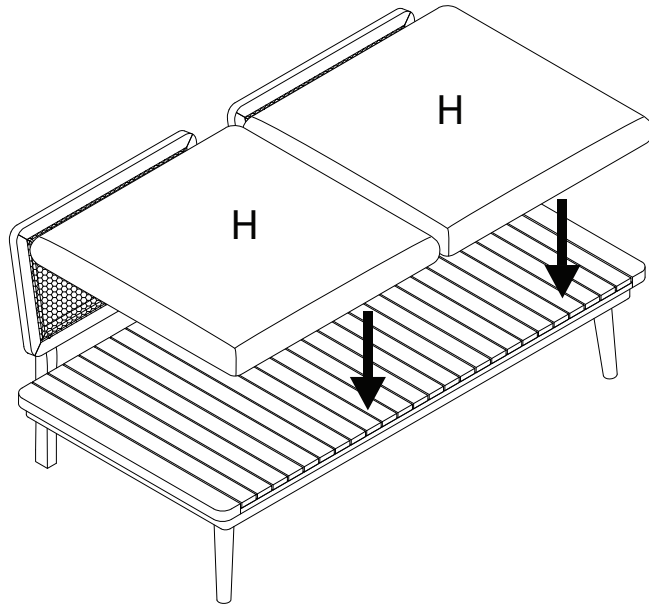
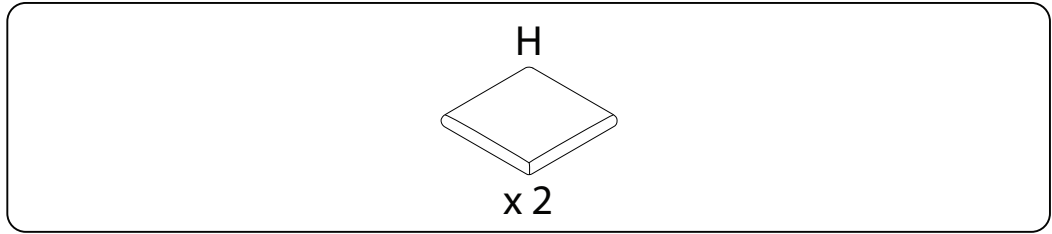
3



4



5



6

