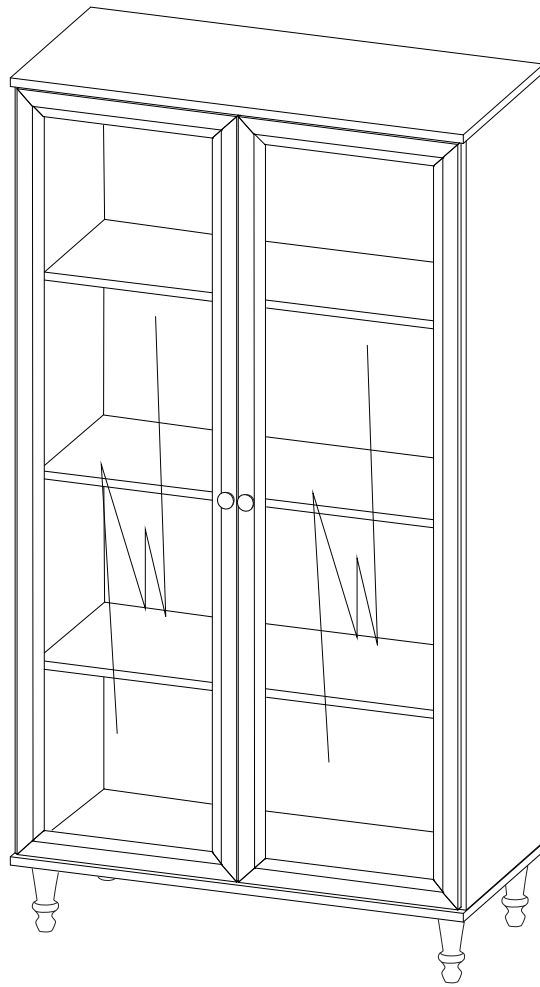
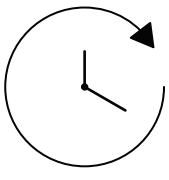
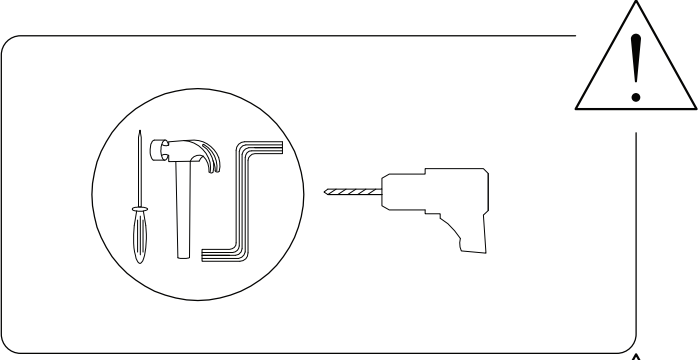
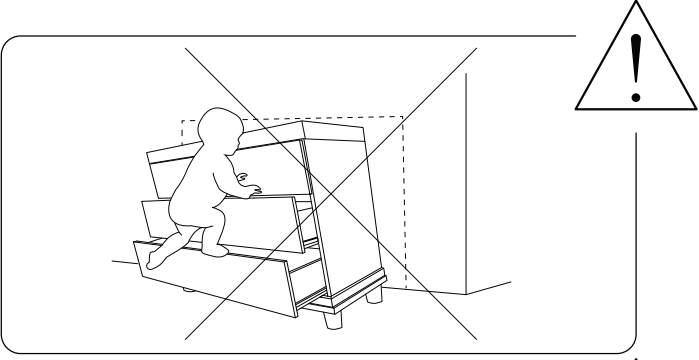
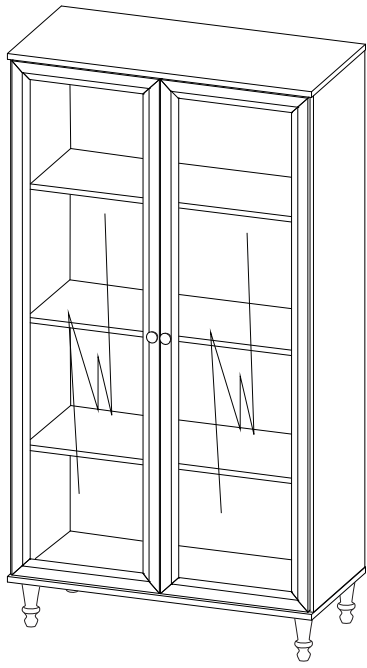
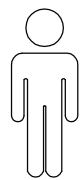
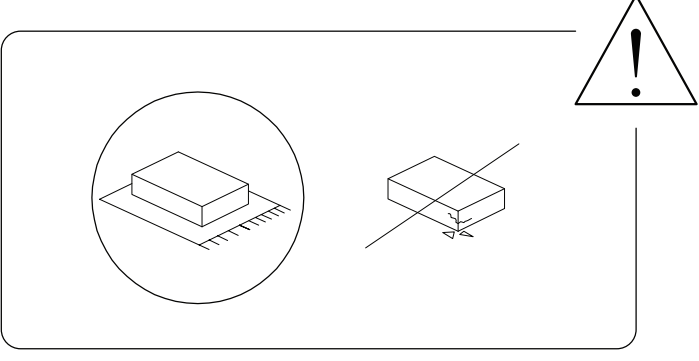


TINGLEDALE

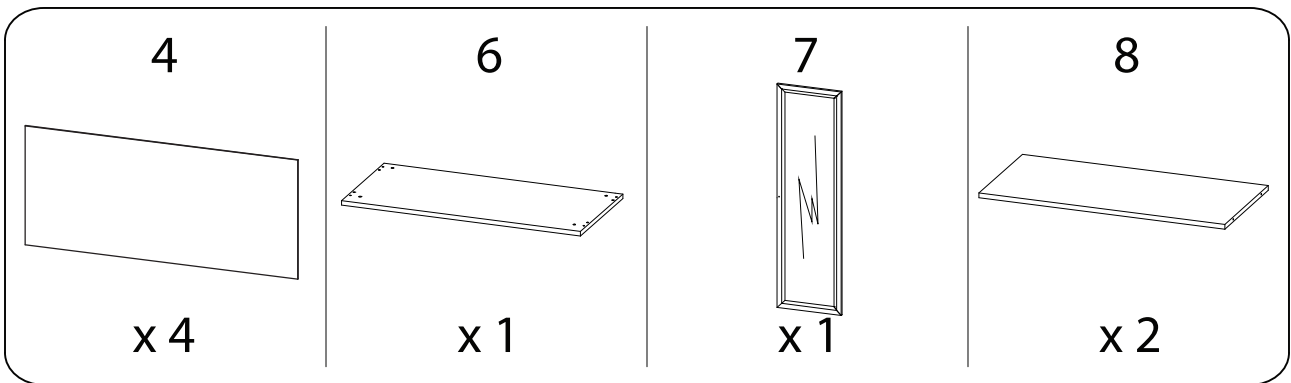
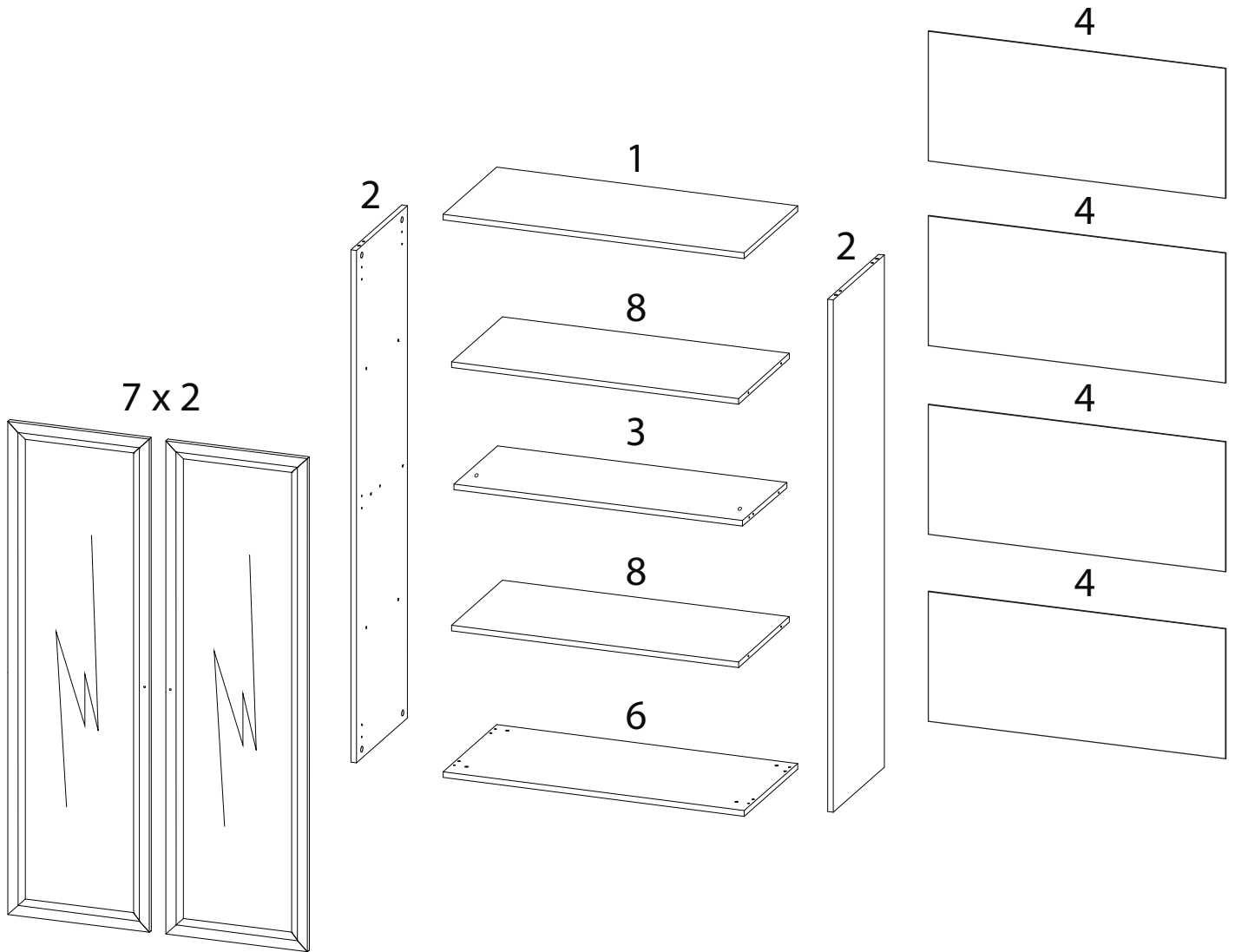
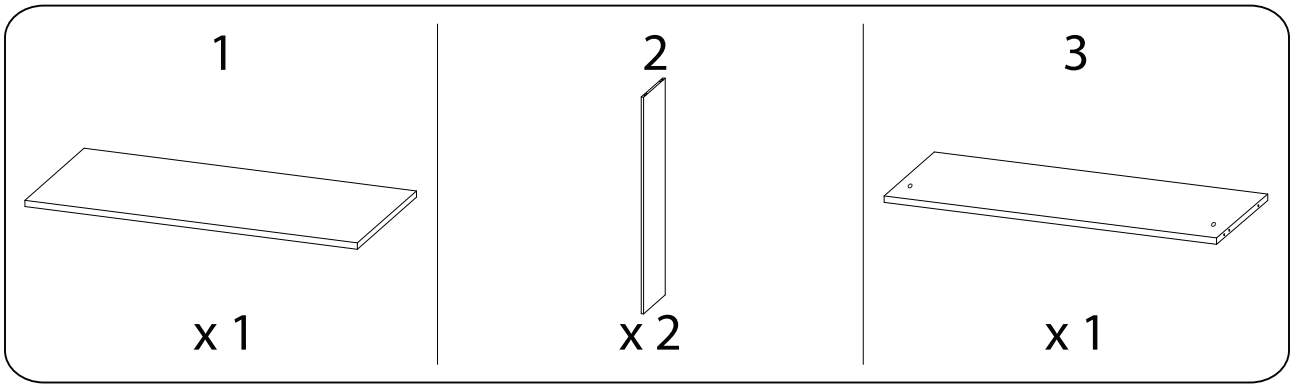




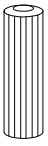
60'



2

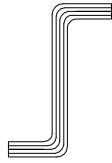


A



x 20

AZ



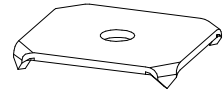
x 1

B



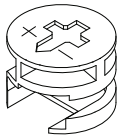
x 10

BO



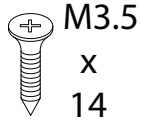
x 15

C



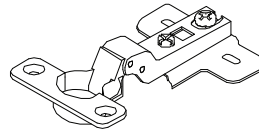
x 10

D



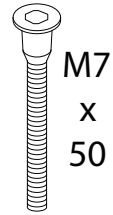
x 26

DB



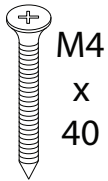
x 6

DZ



x 4

E



x 1

EN



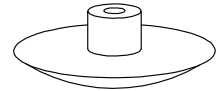
x 55

FB



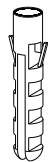
x 2

FM



x 4

L



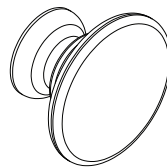
x 1

PE



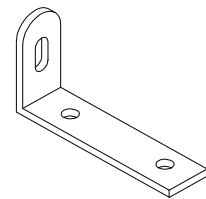
x 4

PX



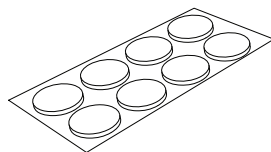
x 2

V



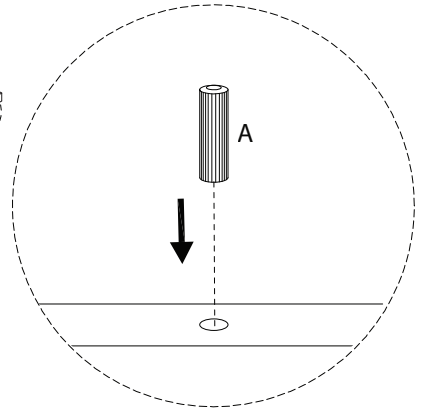
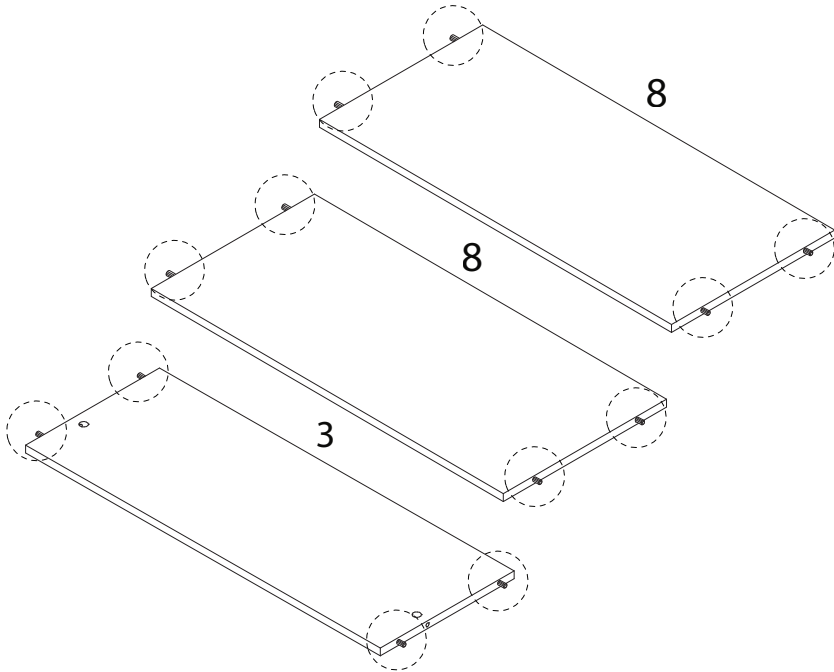
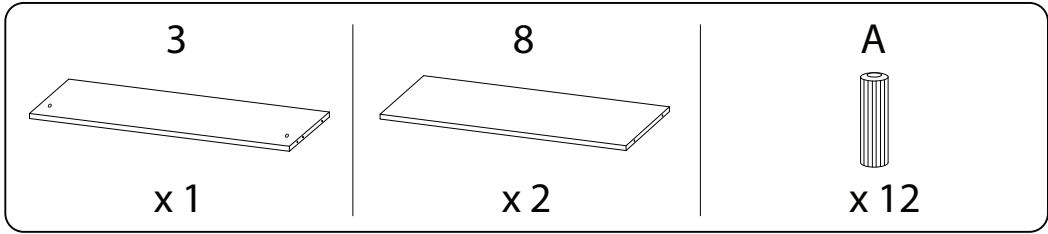
x 1

Y

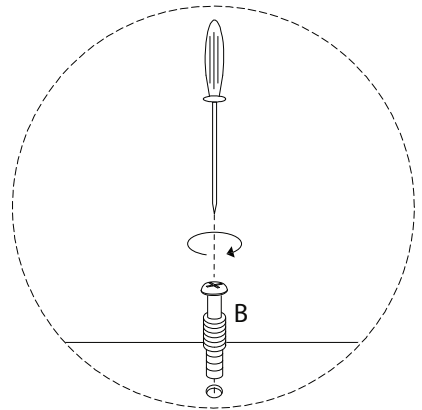
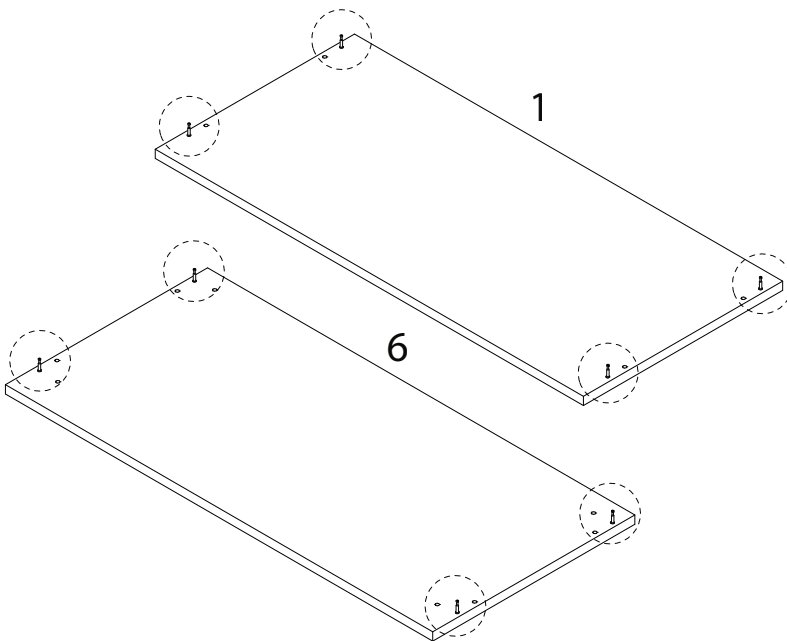
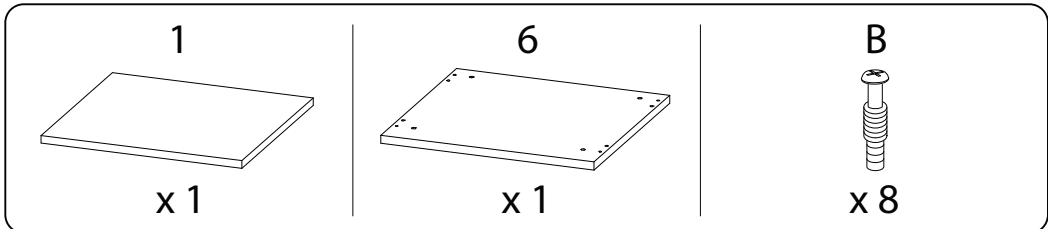


x 1

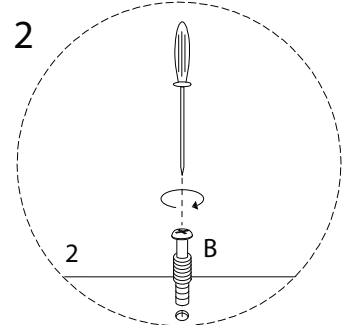
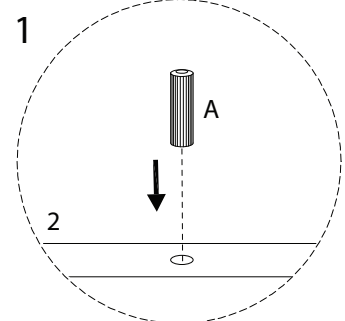
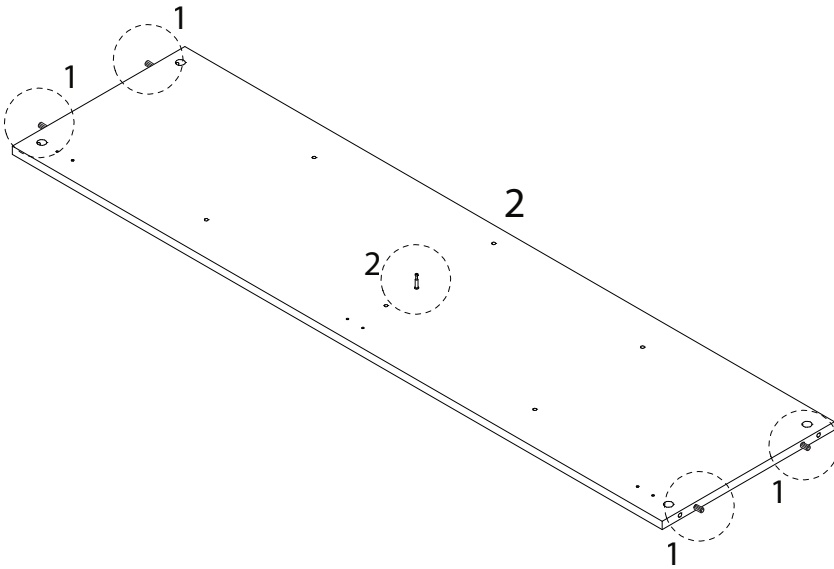
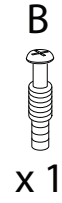
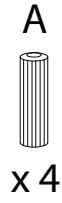
1



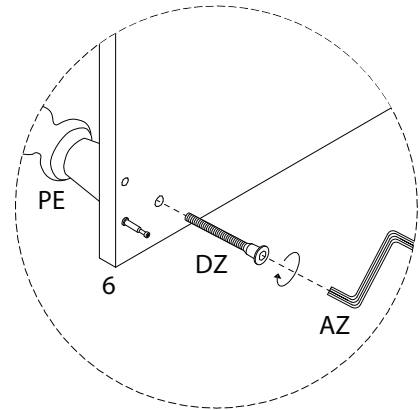
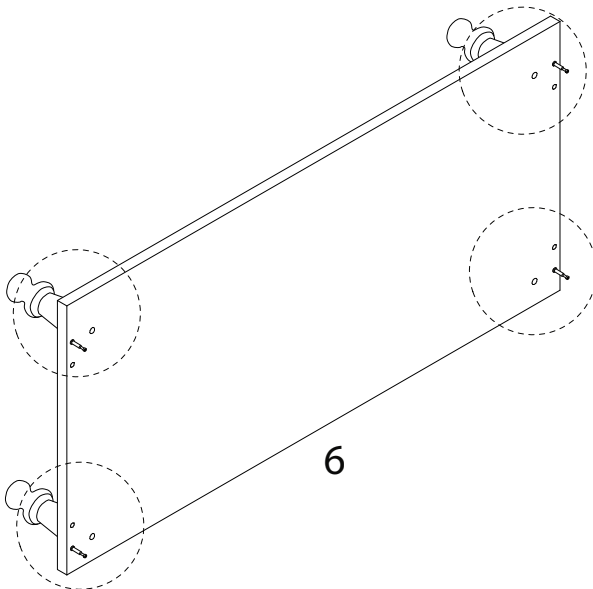
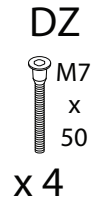
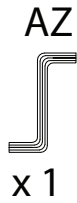
2



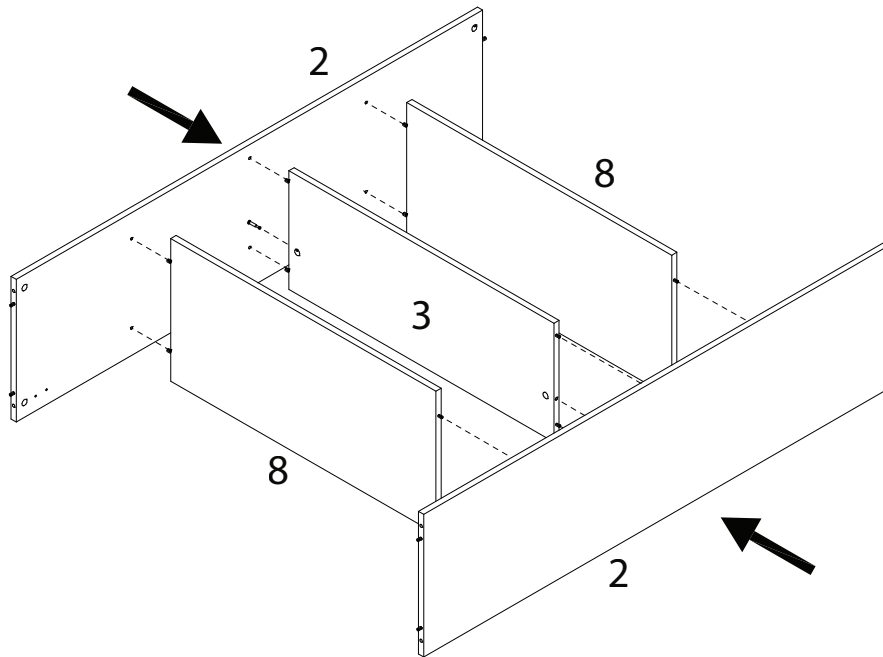
3 x 2



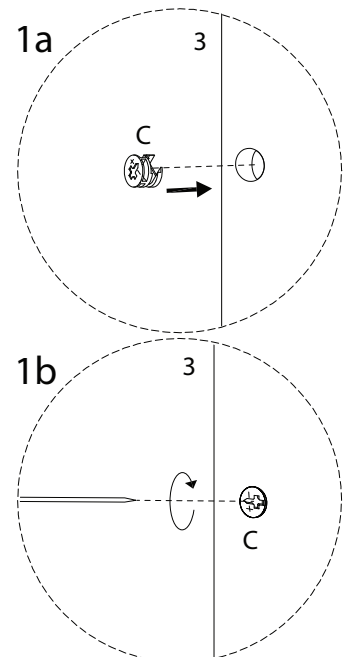
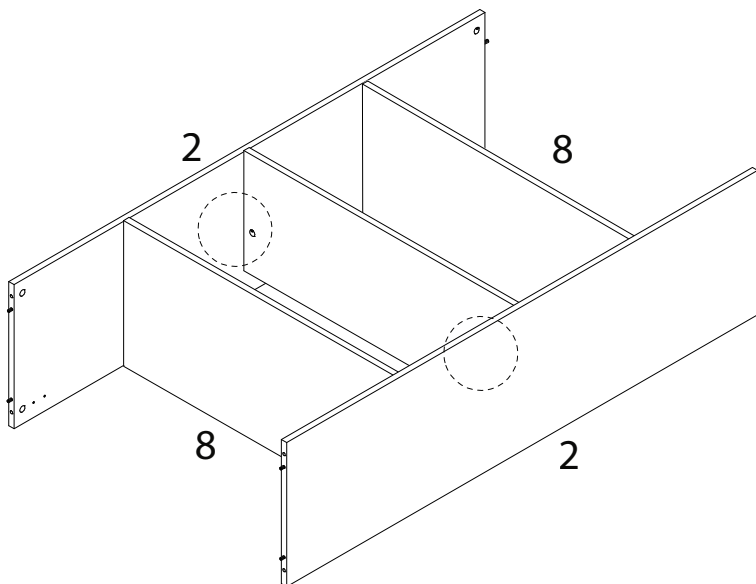
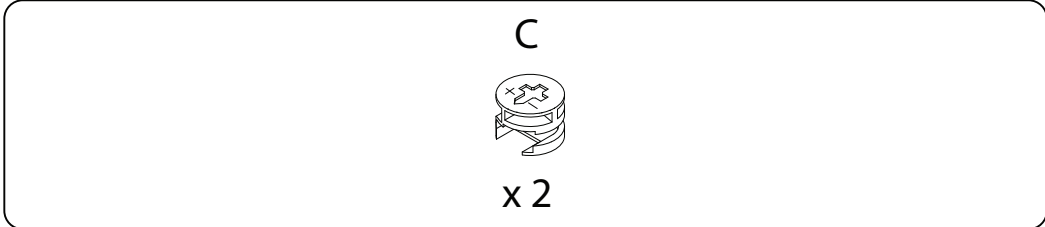
4



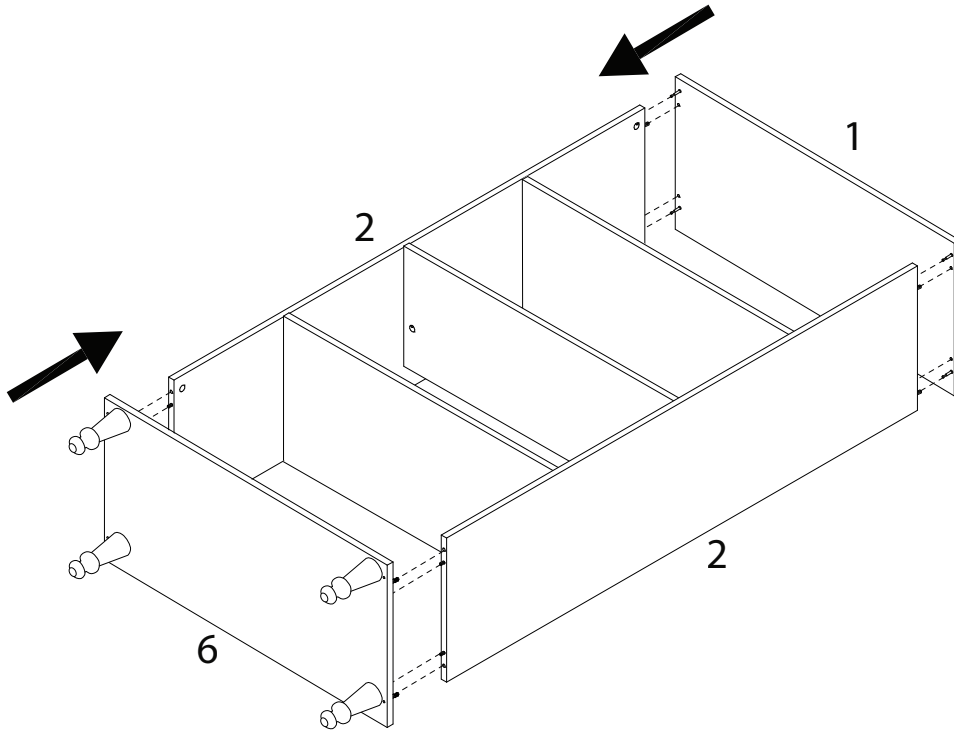
5



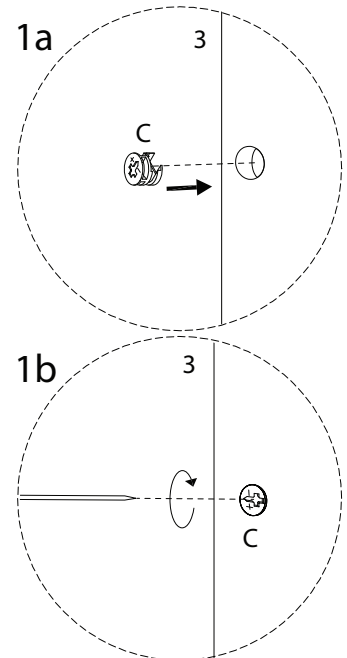
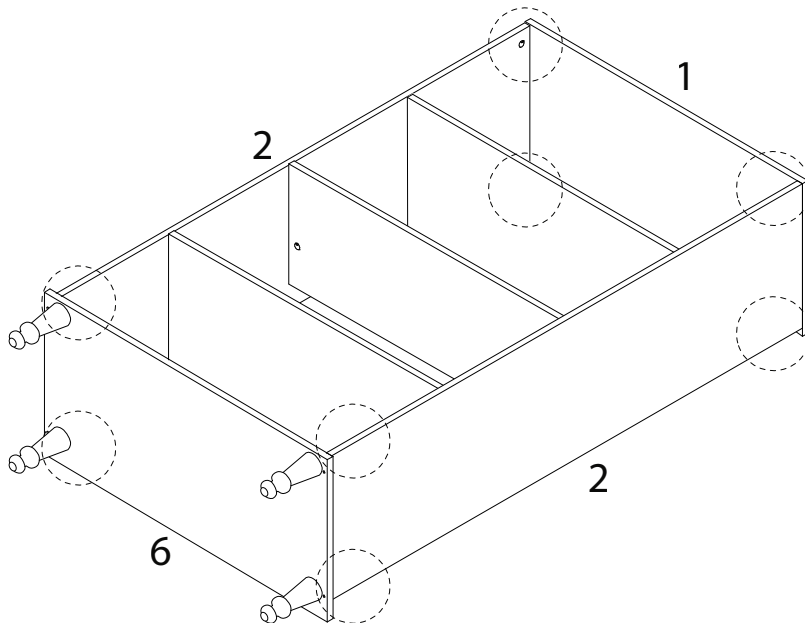
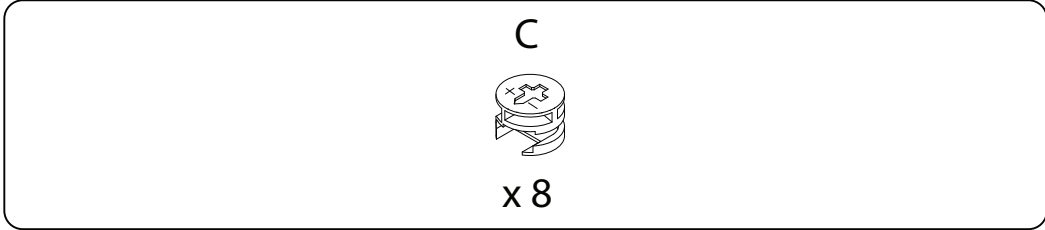
6



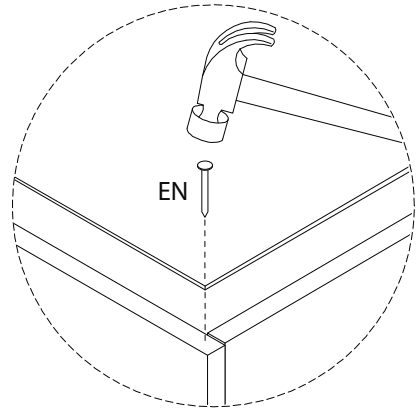
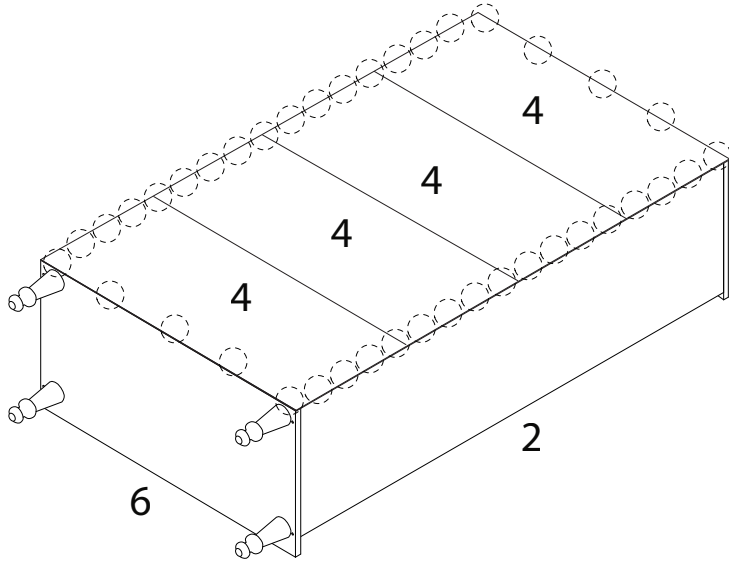
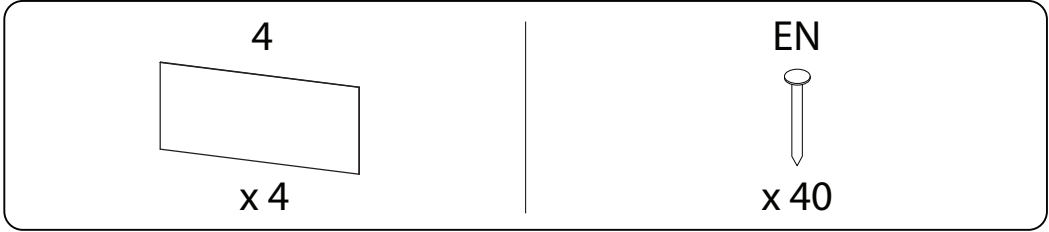
7



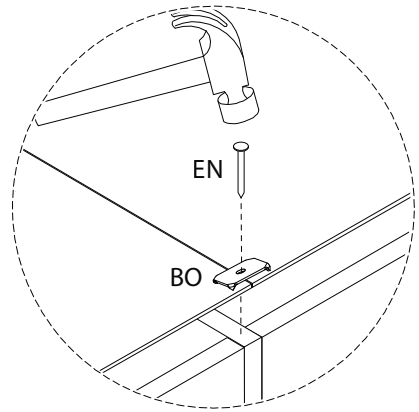
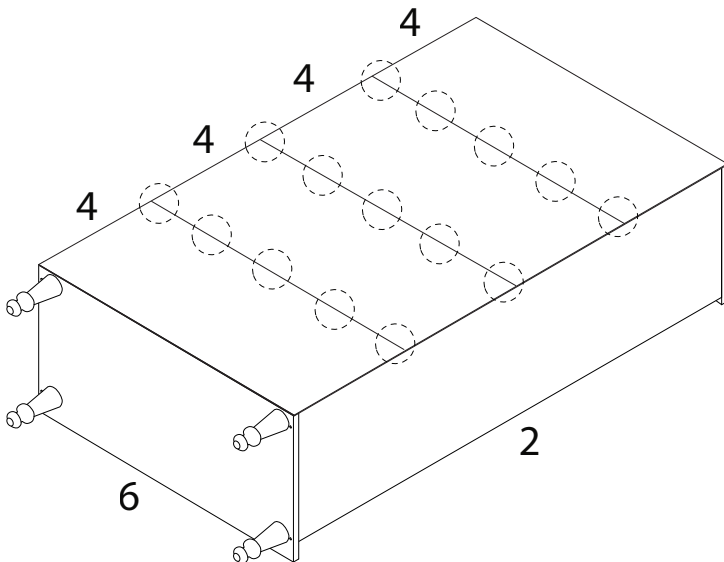
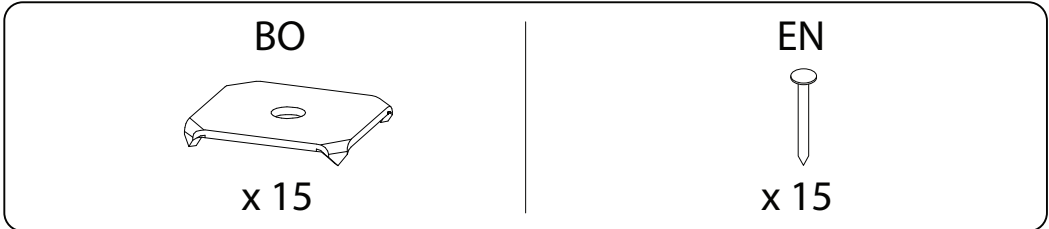
8



9

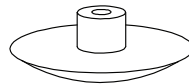


10

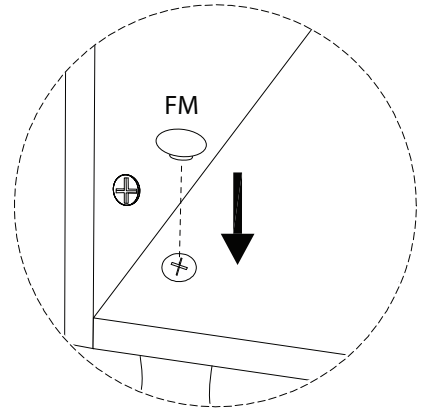
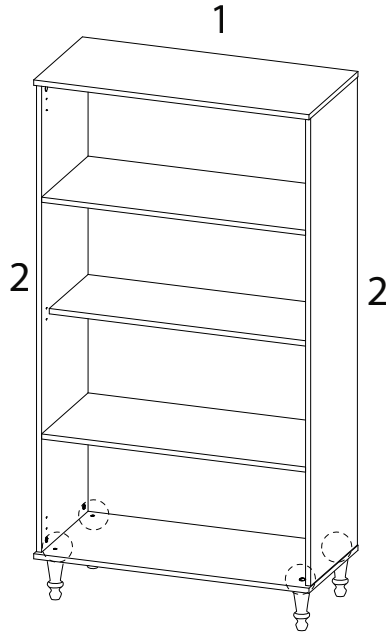


11

FM

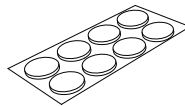


x 4

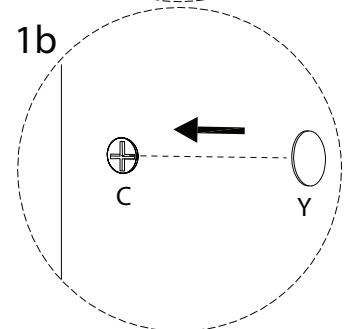
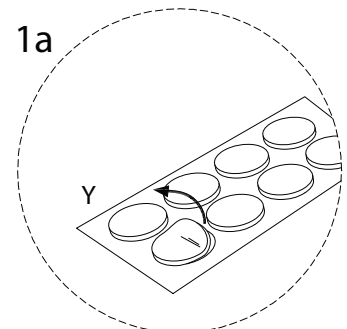
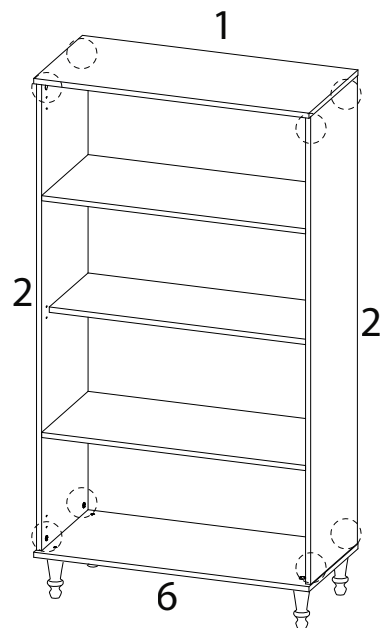


12

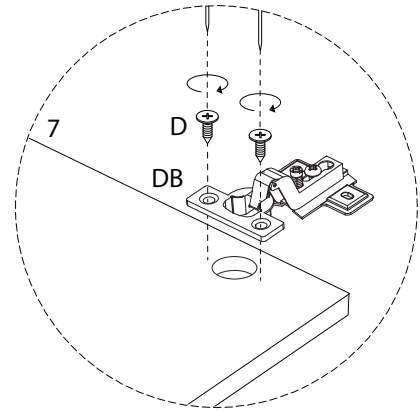
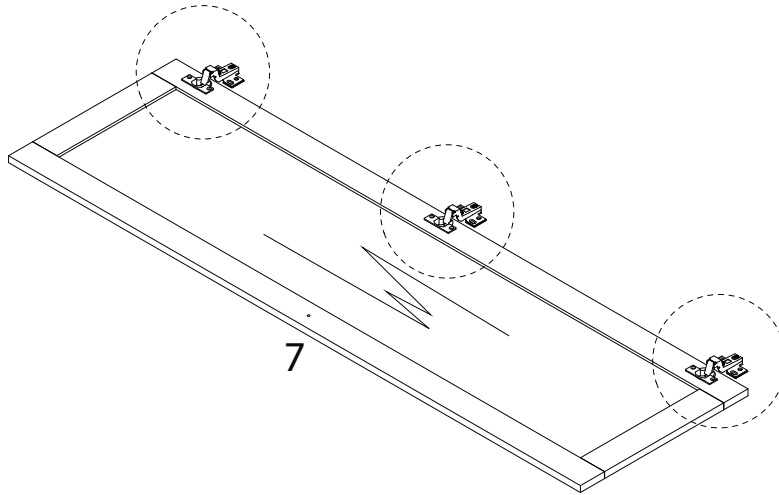
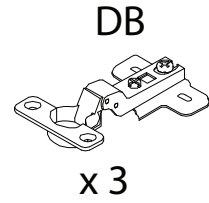
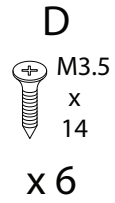
Y



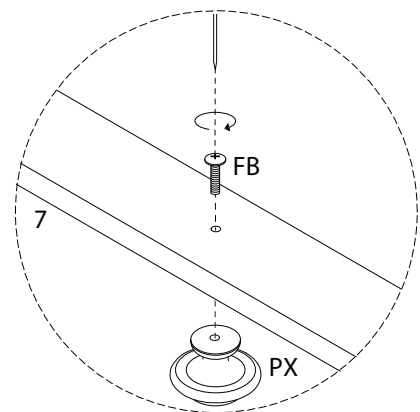
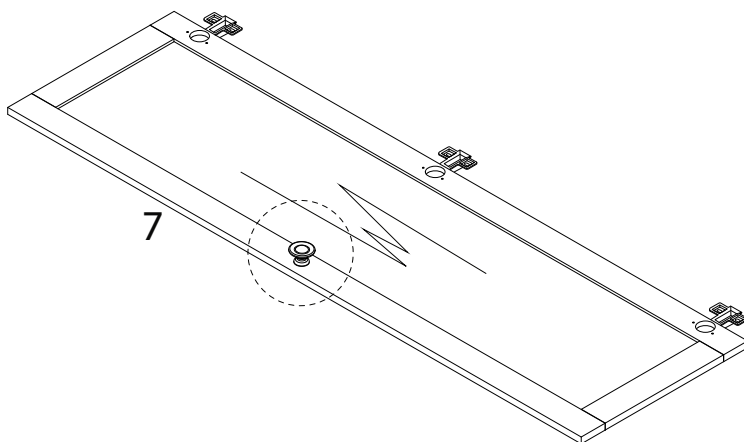
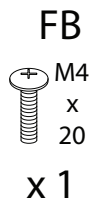
x 1



13 x 2



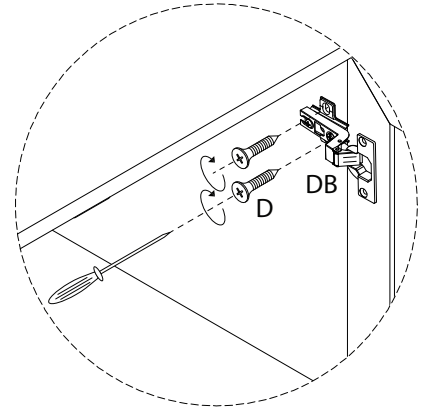
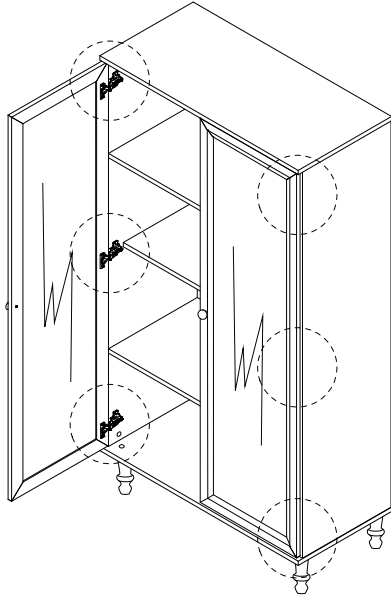
14 x 2



15

D

M3.5
x
14
x 12



16

D

M3.5
x
14
x 2

E

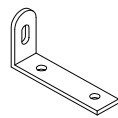
M4
x
40
x 1

L

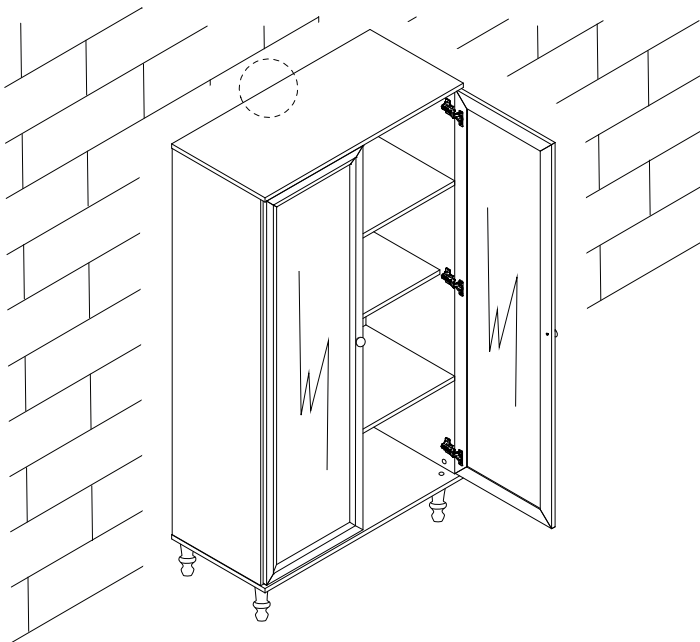


x 1

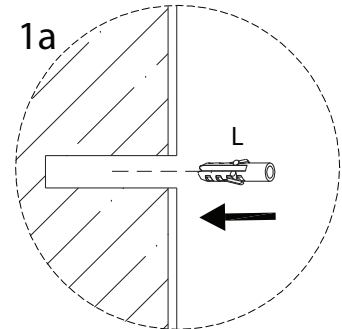
V



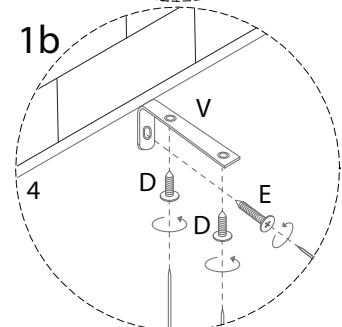
x 1



1a



1b



!

