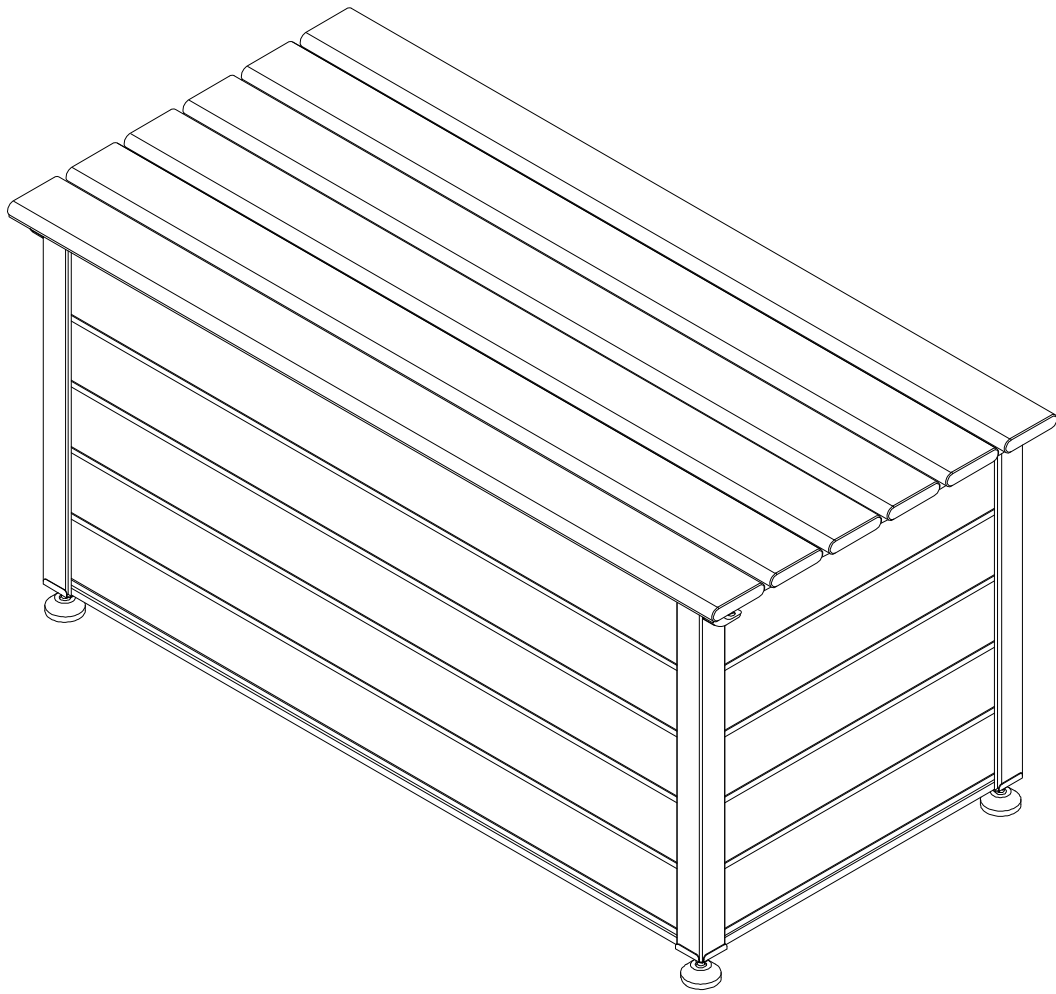
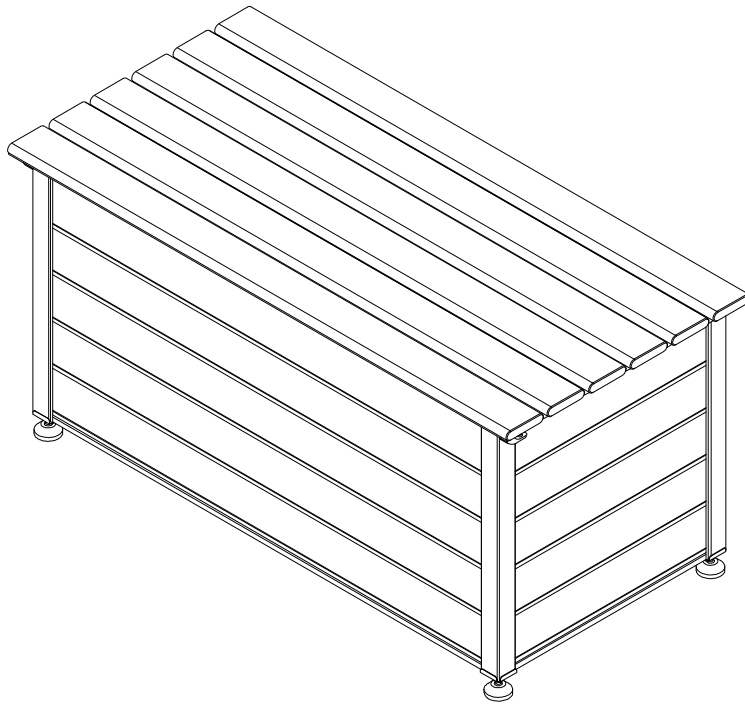


CAMPALTO





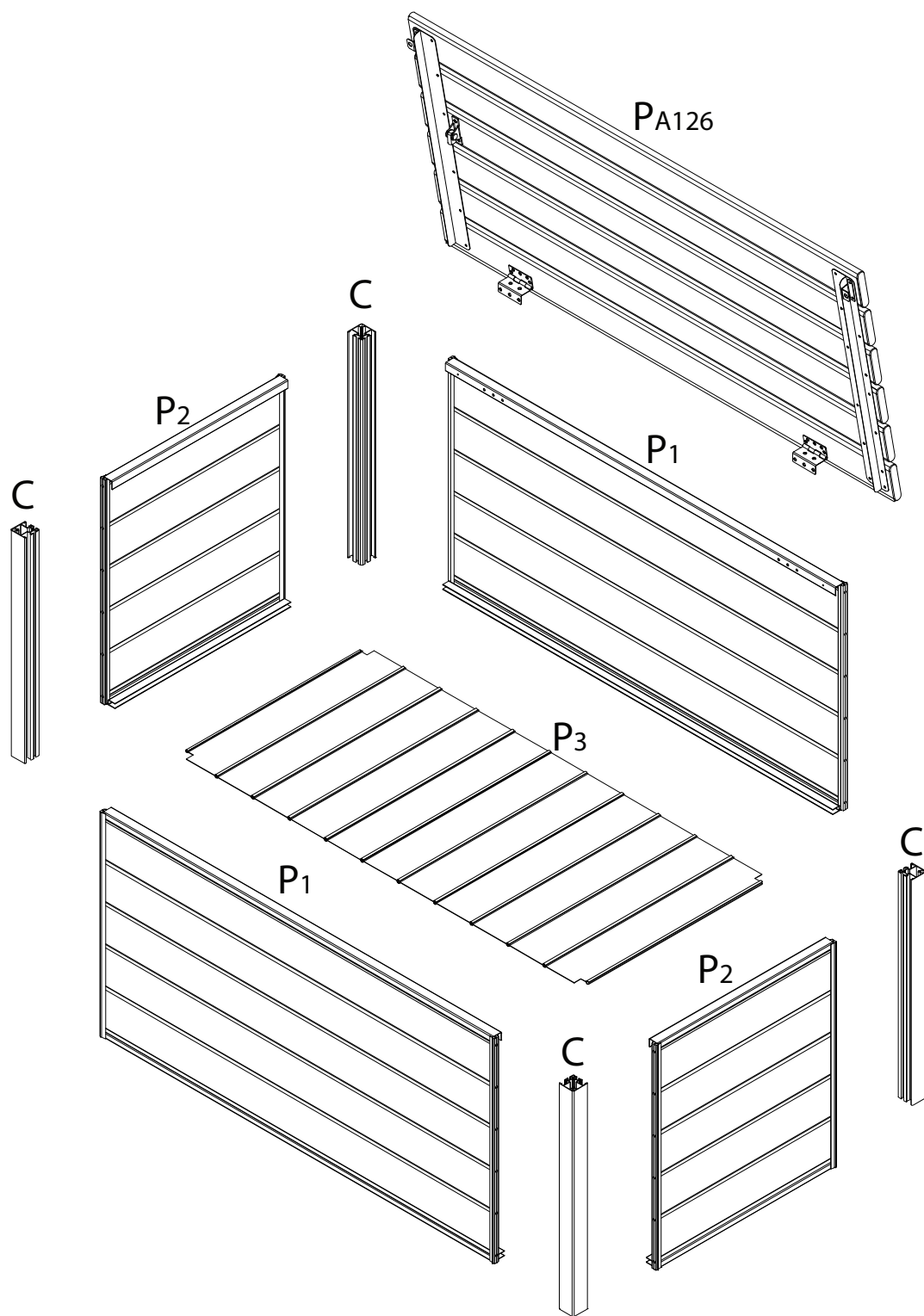
Assembly instructions for the table, including tool requirements, time, and personnel.


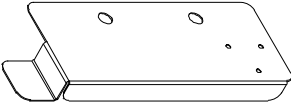


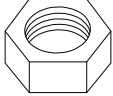
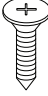
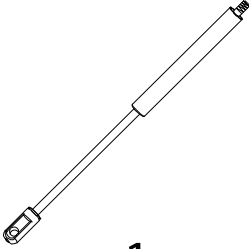
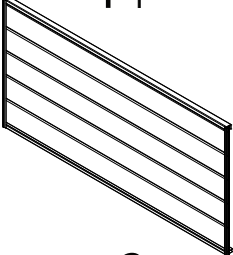
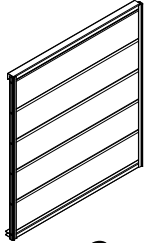
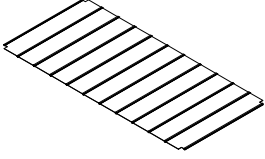
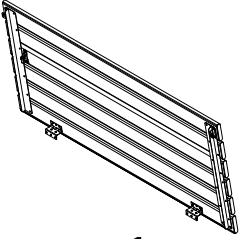
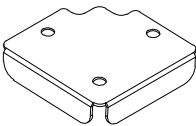
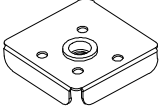
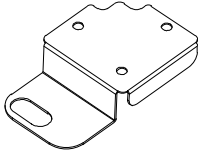
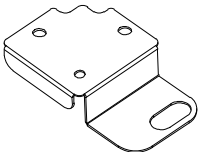
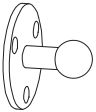
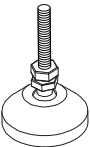
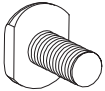
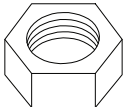
Tools: A circle containing a screwdriver and a wrench, and a crossed-out power drill icon, with a warning triangle above.

Time: A clock icon with the text **45'** below it.

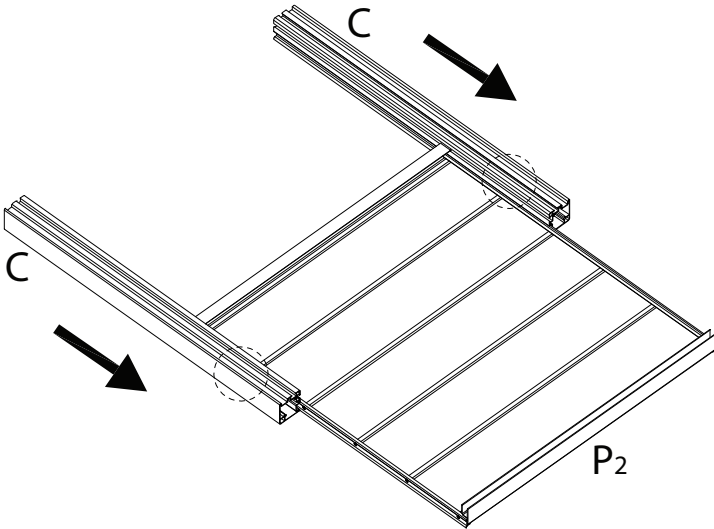
Personnel: A person icon with the number **2** below it.

Material: A circle containing a block of material being placed on a surface, and a crossed-out block of material, with a warning triangle above.

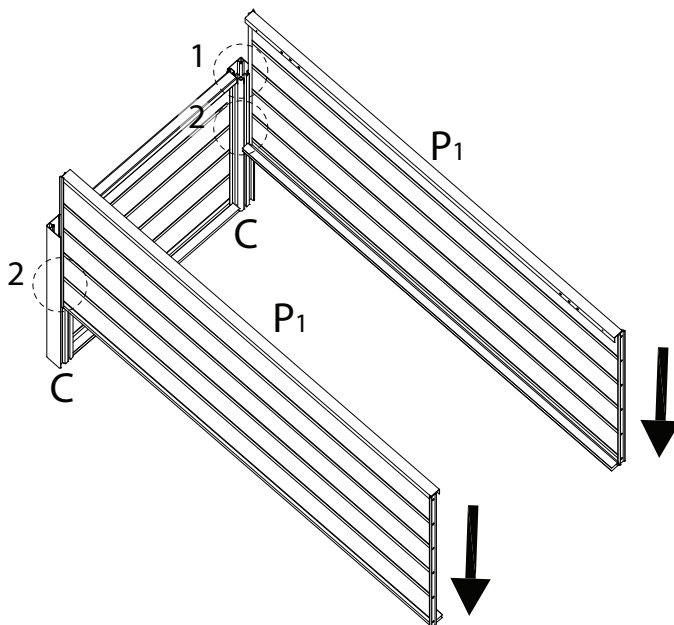
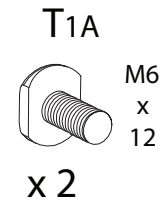
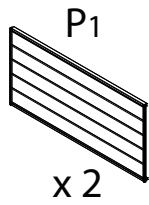


<p>C</p>  <p>x 4</p>	<p>C₉</p>  <p>x 1</p>	<p>F₁</p>  <p>ST4.2 x 10</p> <p>x 31</p>	
<p>F_{3A}</p>  <p>M4 x 10</p> <p>x 6</p>	<p>F_{3B}</p>  <p>M4</p> <p>x 6</p>	<p>F₄</p>  <p>ST4.2 x 15</p> <p>x 4</p>	<p>G₃</p>  <p>x 1</p>
<p>P₁</p>  <p>x 2</p>	<p>P₂</p>  <p>x 2</p>	<p>P₃</p>  <p>x 1</p>	<p>P_{A126}</p>  <p>x 1</p>
<p>S₅</p>  <p>x 2</p>	<p>S_{5A}</p>  <p>x 4</p>	<p>S_{6L}</p>  <p>x 1</p>	<p>S_{6R}</p>  <p>x 1</p>
<p>S₇</p>  <p>x 1</p>	<p>S₈</p>  <p>x 4</p>	<p>T_{1A}</p>  <p>M6 x 12</p> <p>x 2</p>	<p>T_{1B}</p>  <p>M6</p> <p>x 2</p>

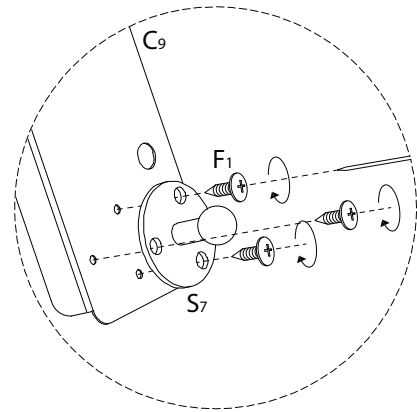
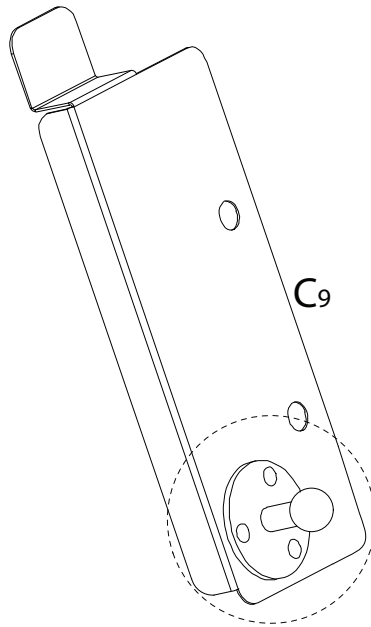
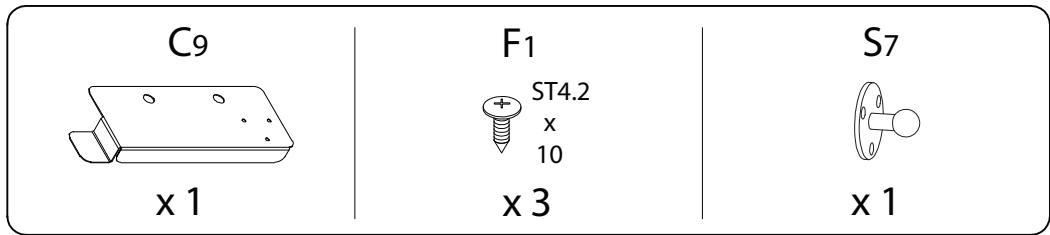
1



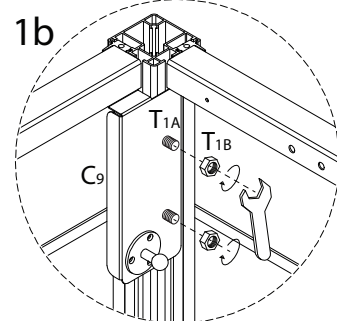
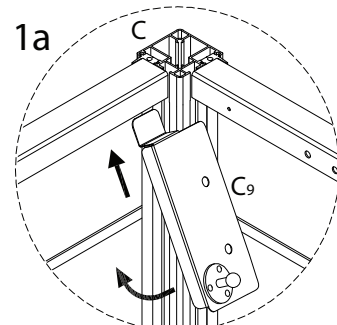
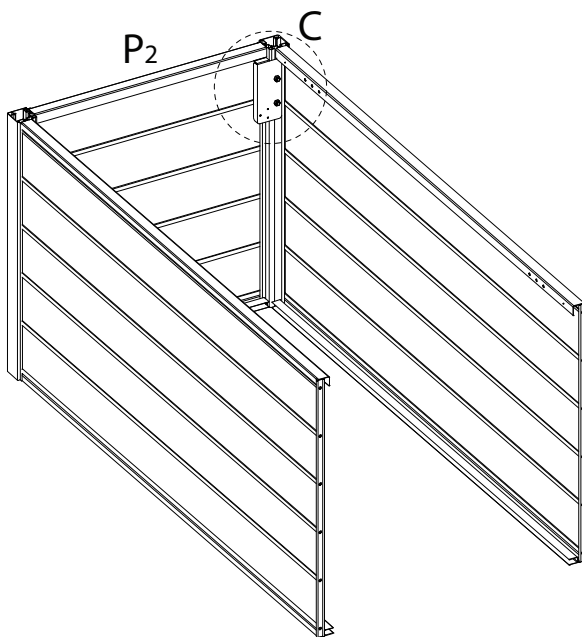
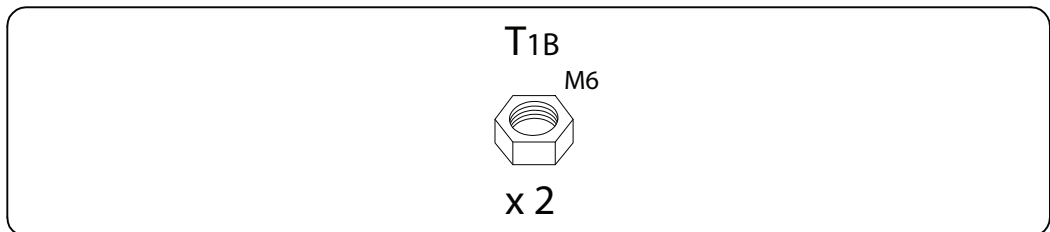
2



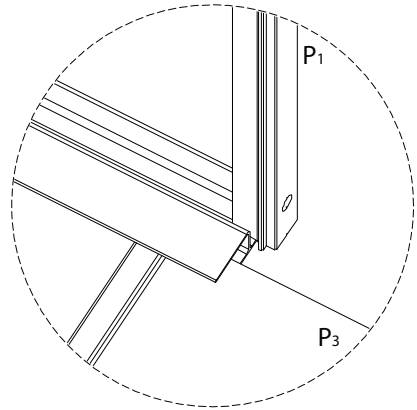
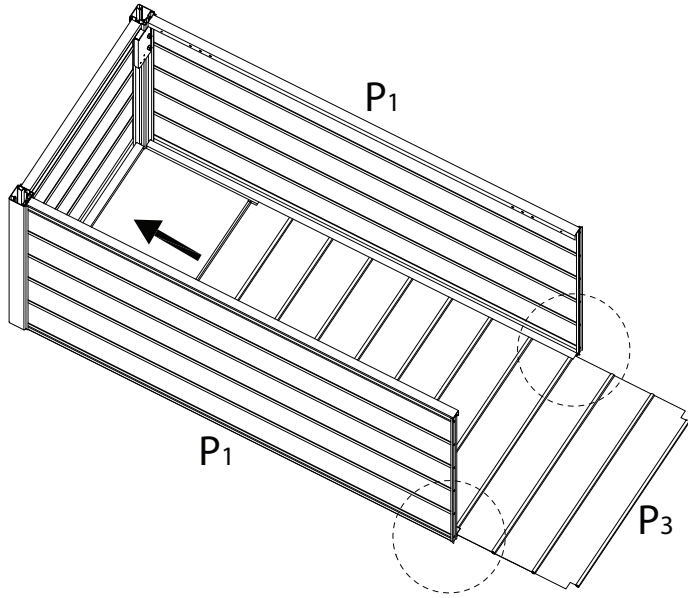
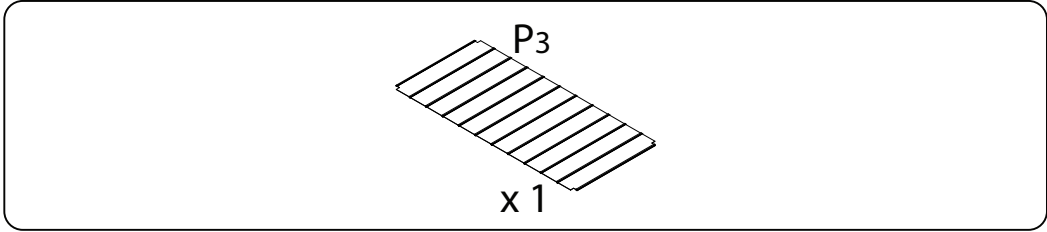
3



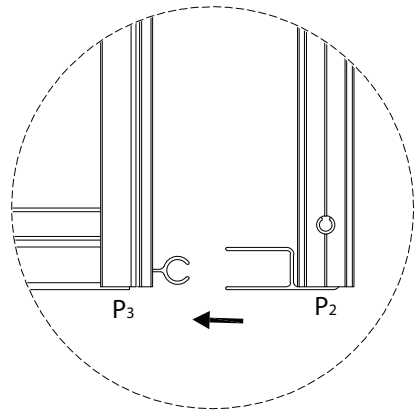
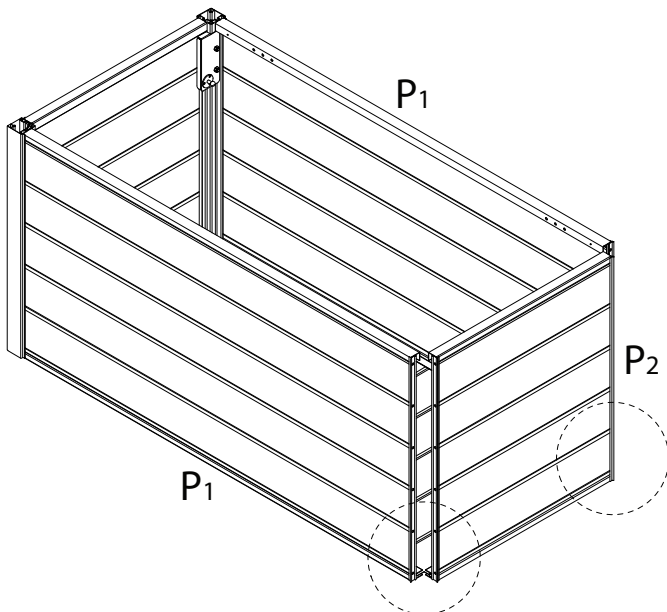
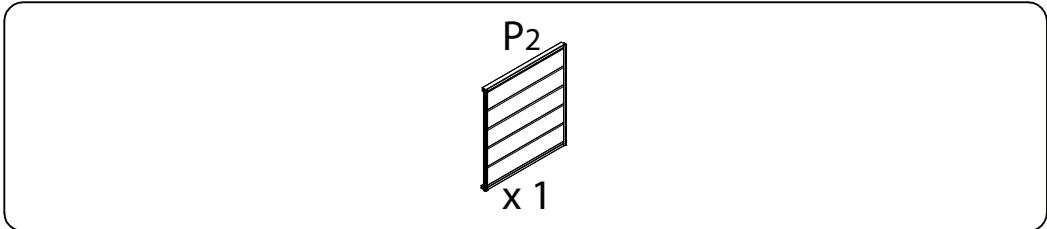
4



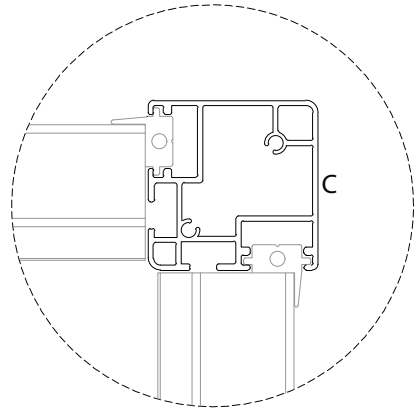
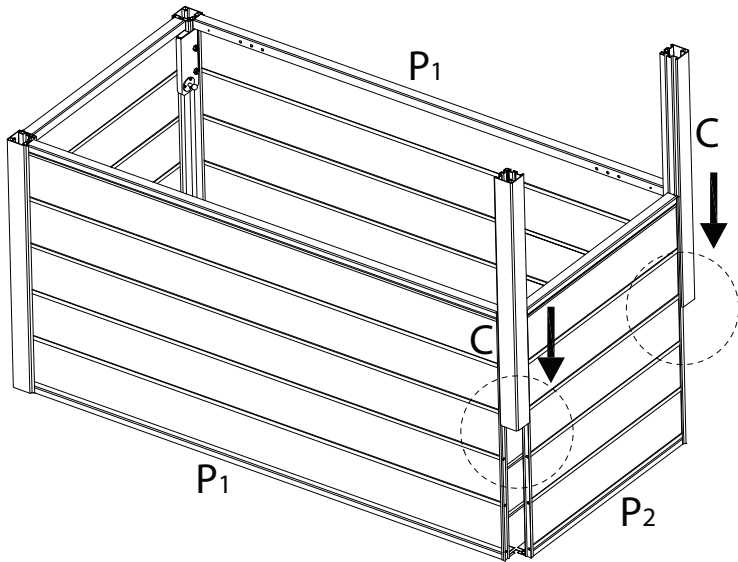
5



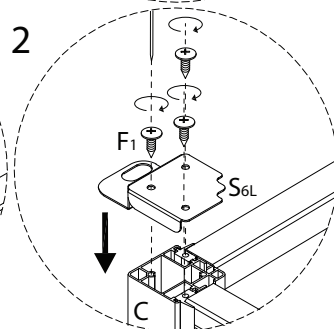
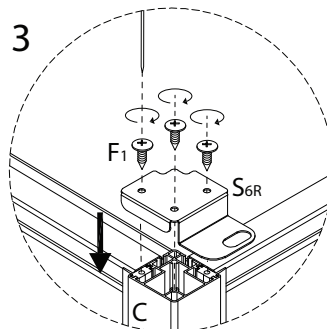
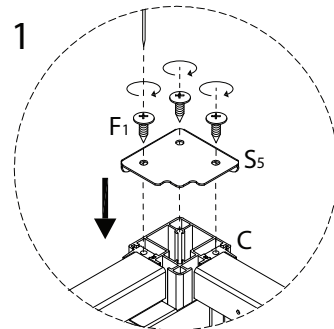
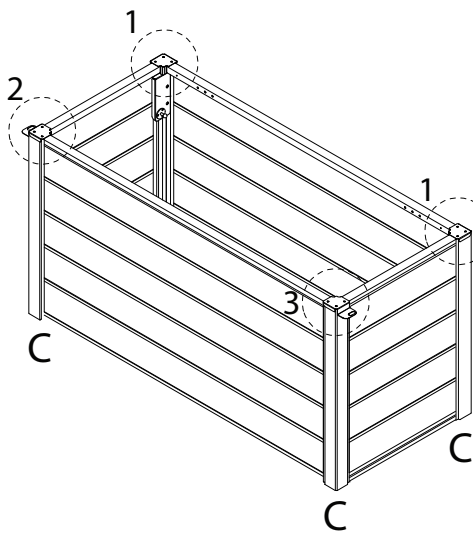
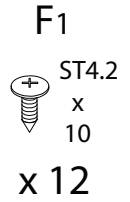
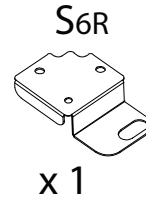
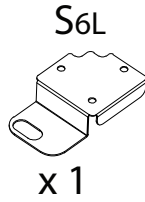
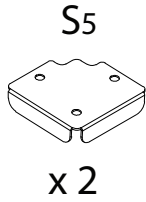
6



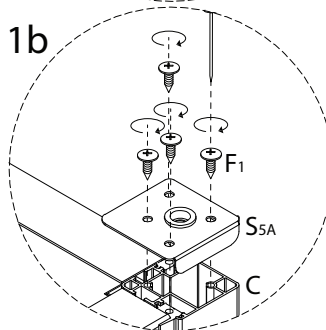
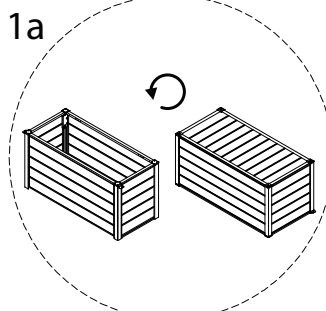
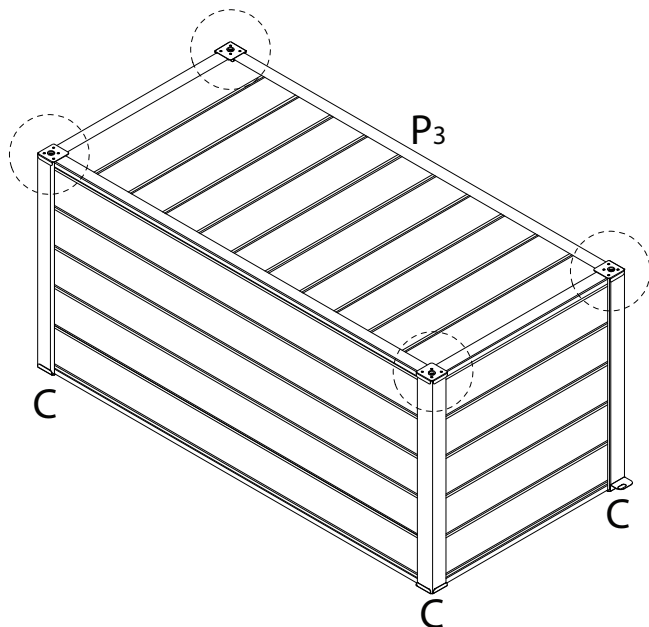
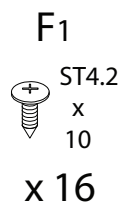
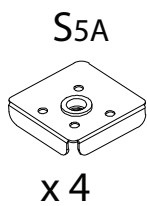
7



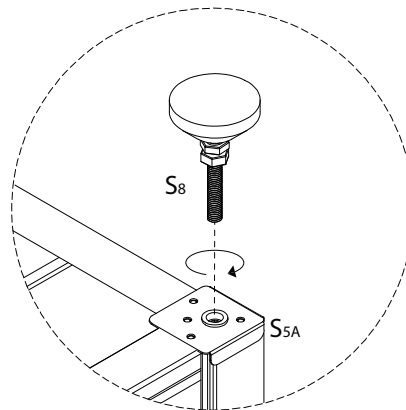
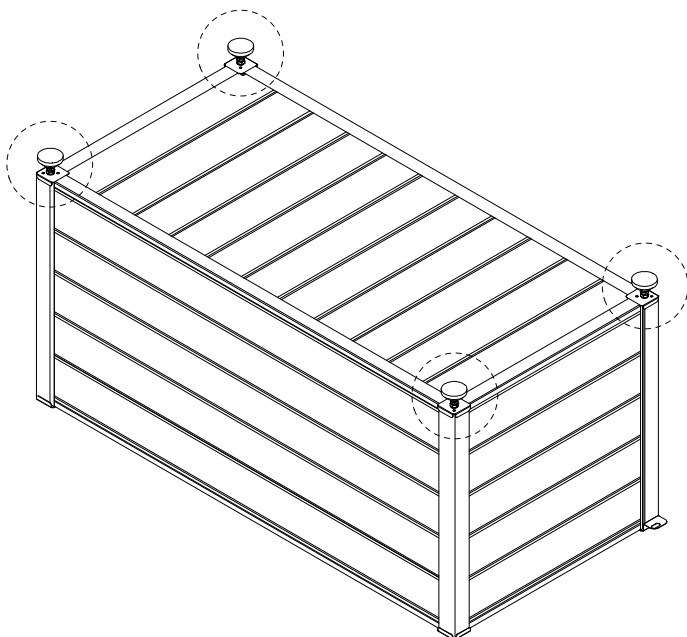
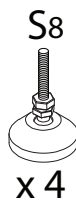
8



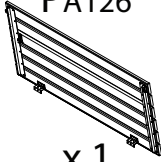



9

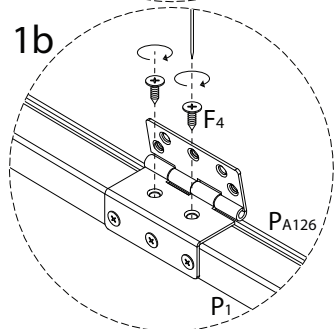
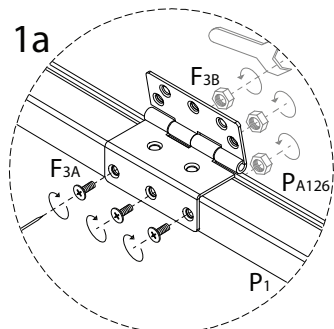
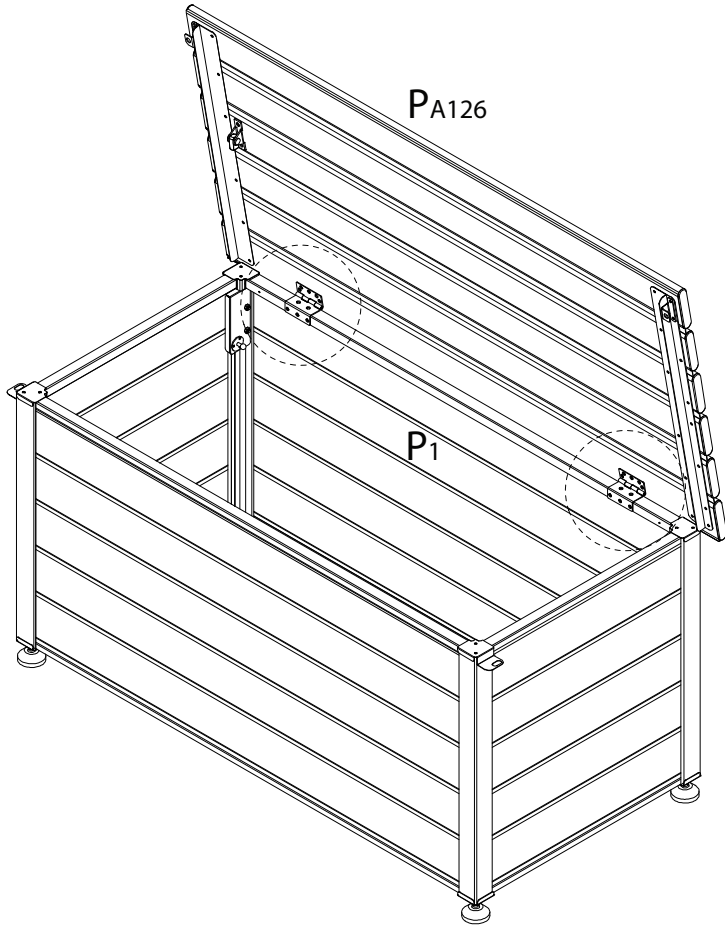


10



11

<p>PA126</p>  <p>x 1</p>	<p>F3A</p>  <p>M4 x 10</p> <p>x 6</p>	<p>F3B</p>  <p>M4</p> <p>x 6</p>	<p>F4</p>  <p>ST4.2 x 15</p> <p>x 4</p>
---	--	--	--



12

