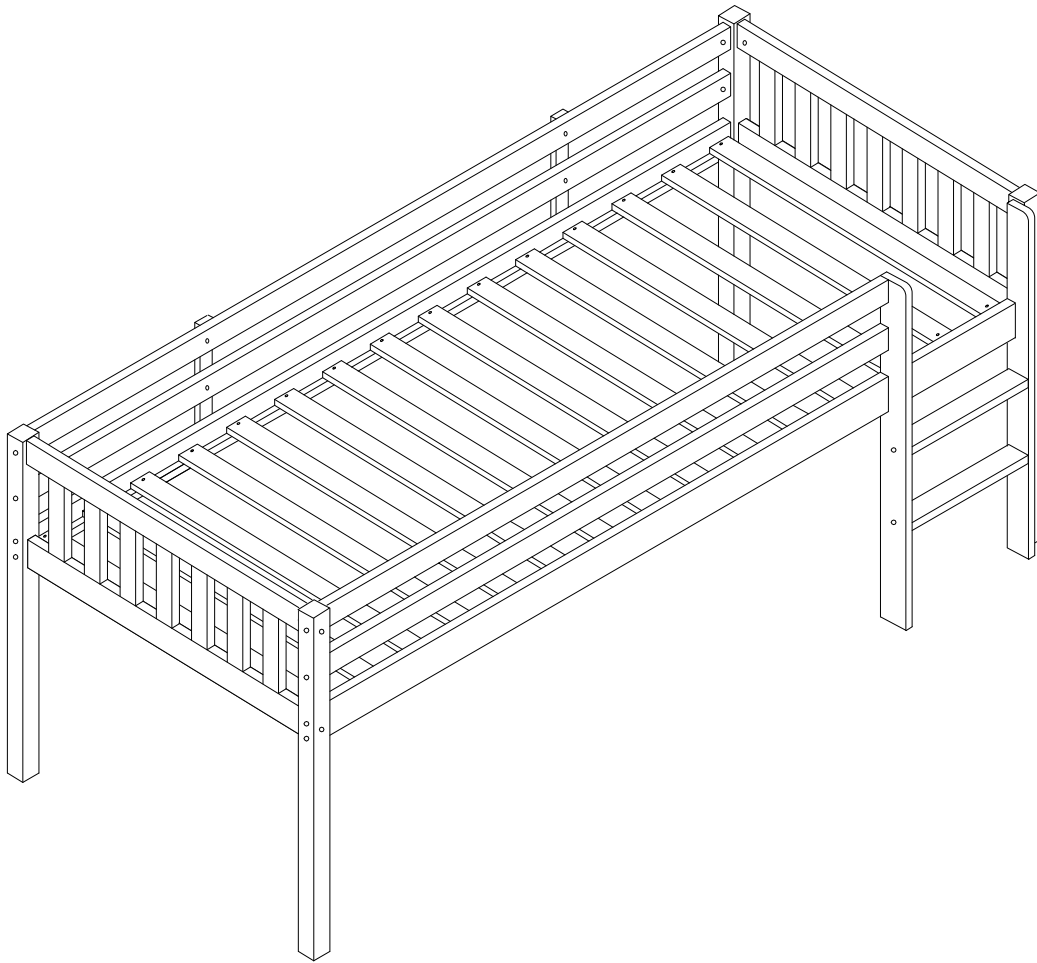
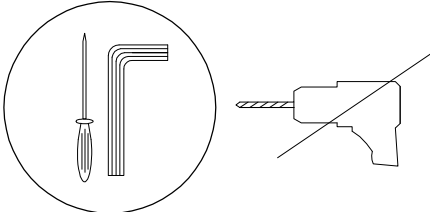

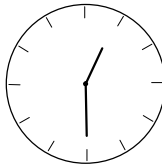
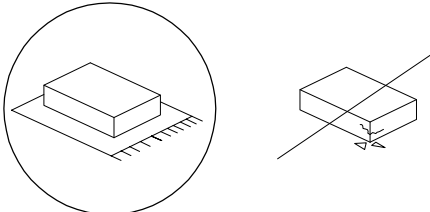


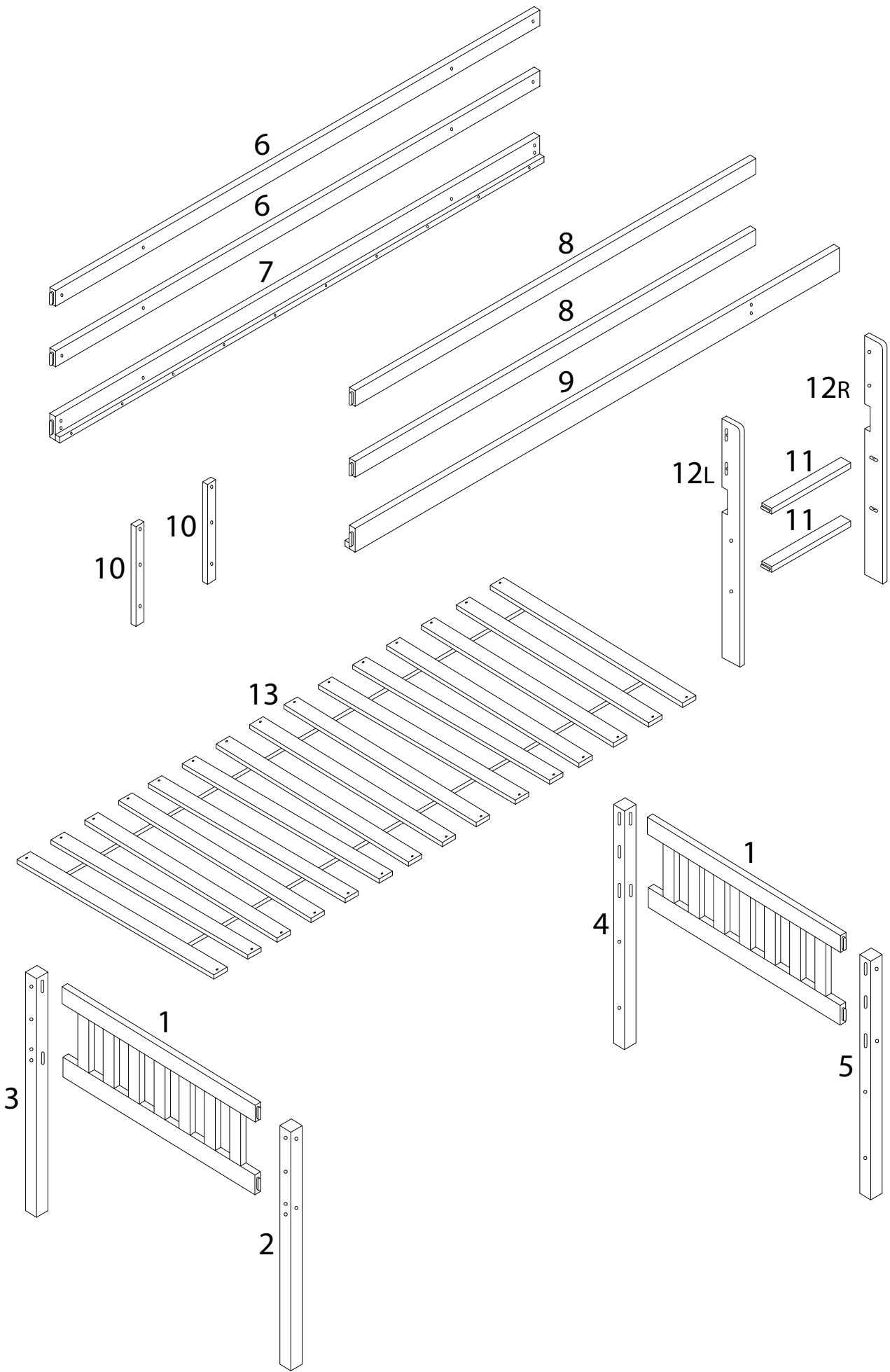


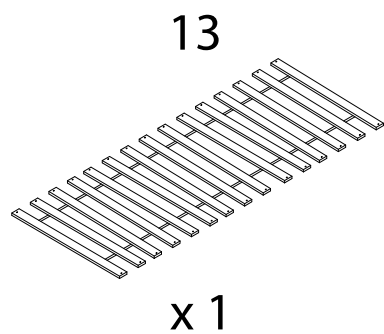
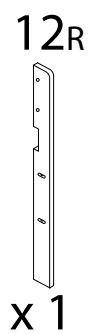
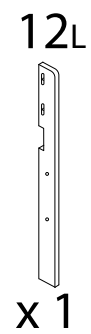
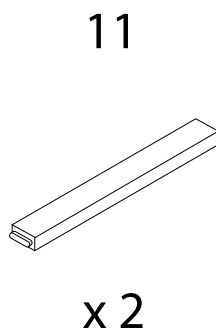
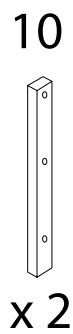
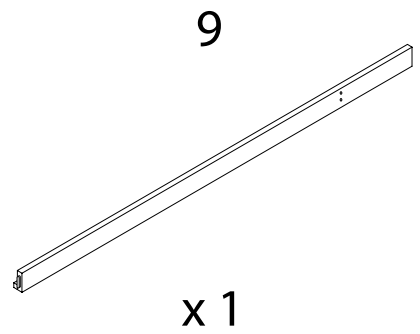
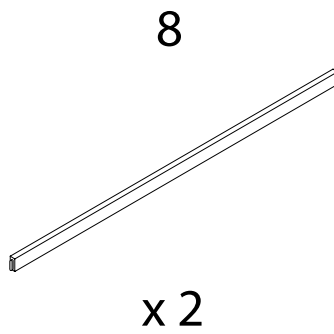
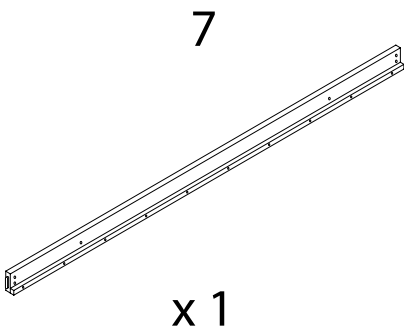
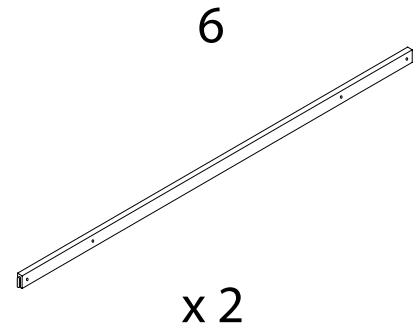
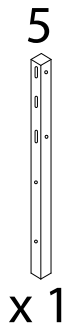
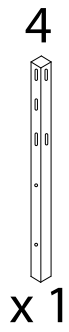
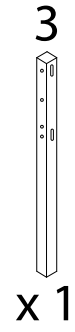
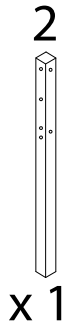
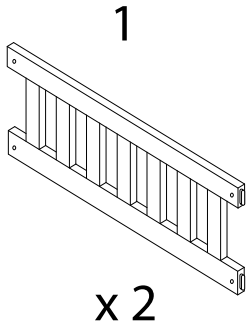
PEIPIN

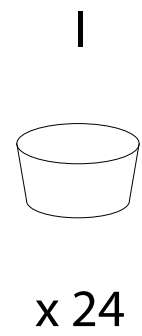
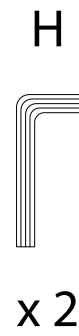
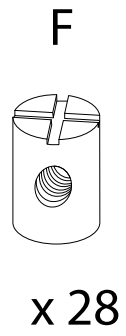
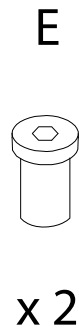
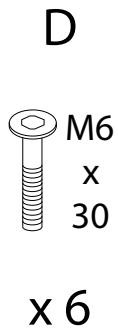
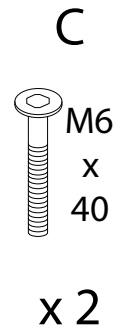
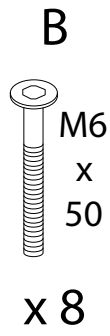
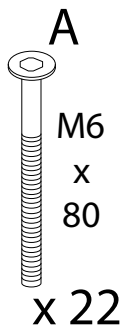




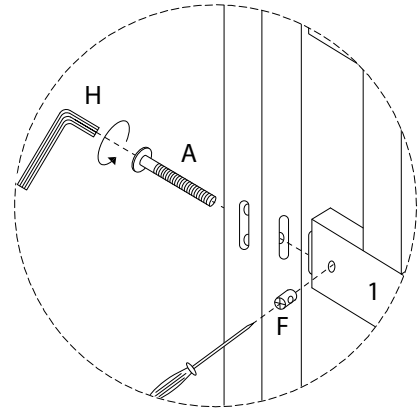
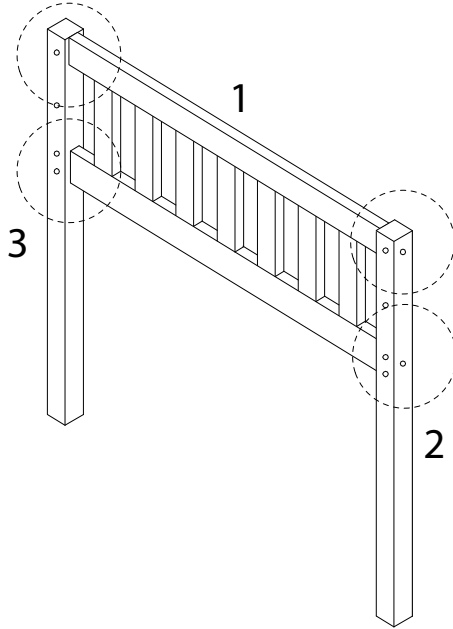
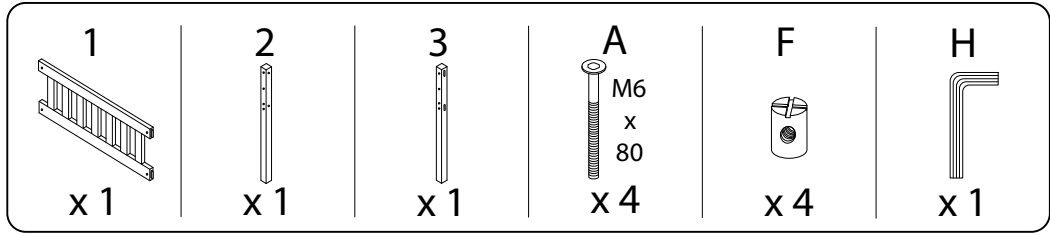
		
		
		2



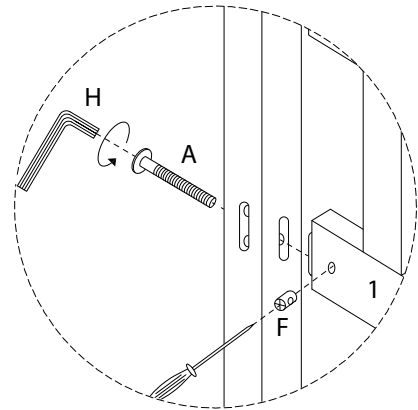
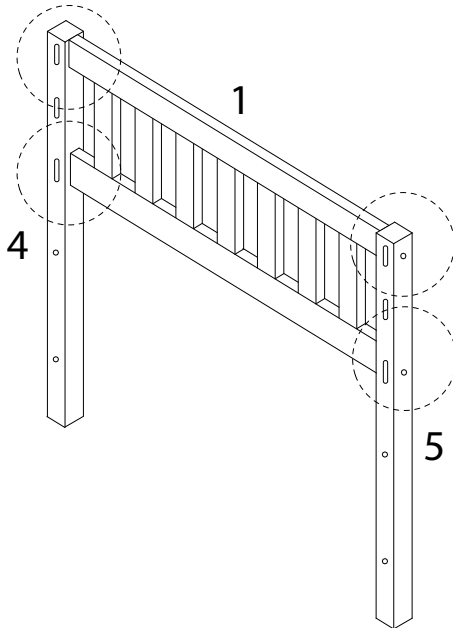
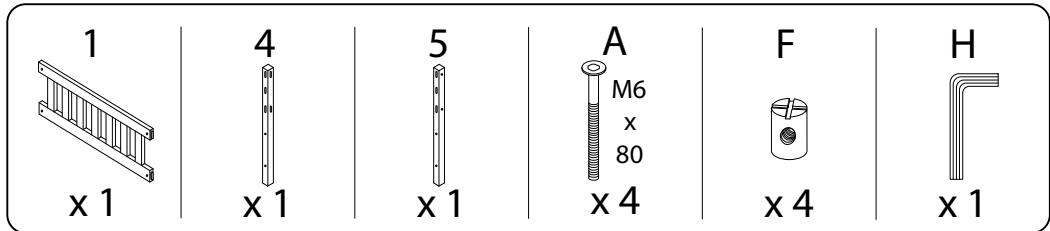




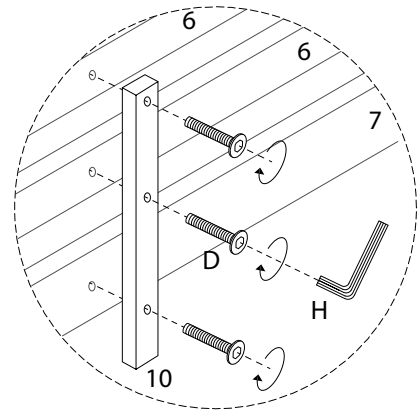
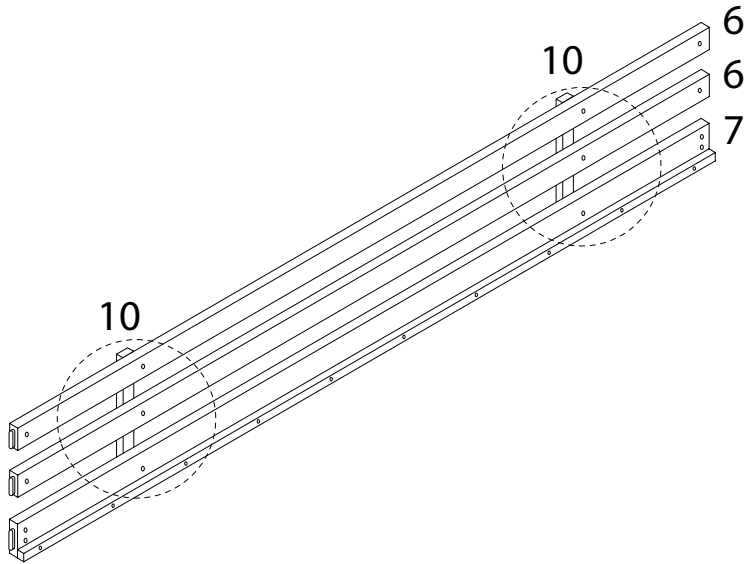
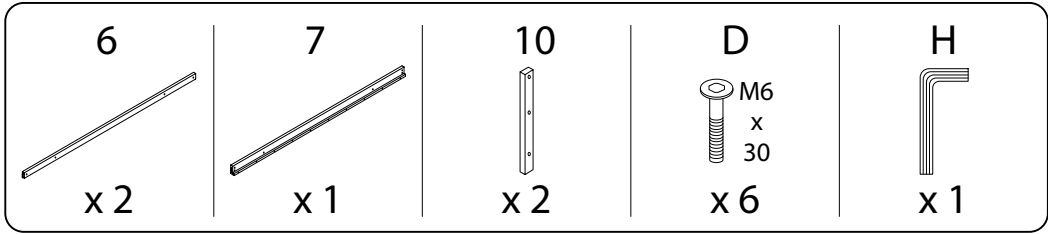
1



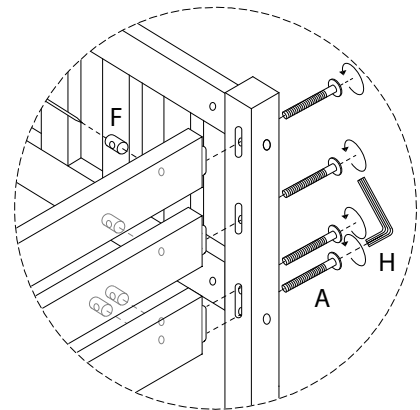
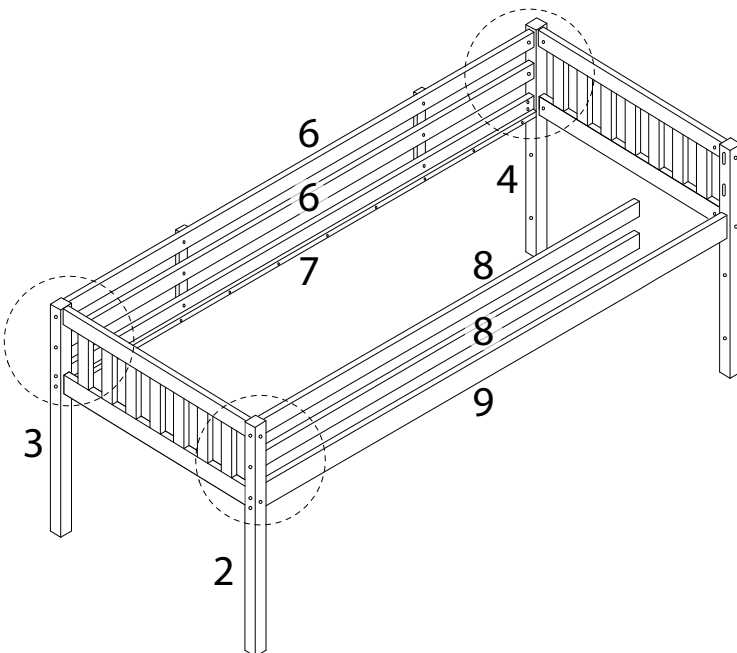
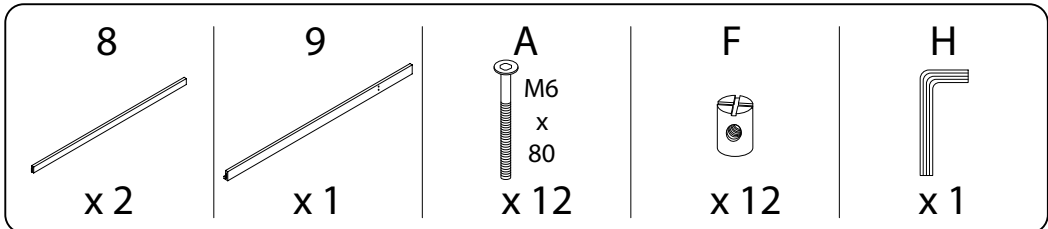
2



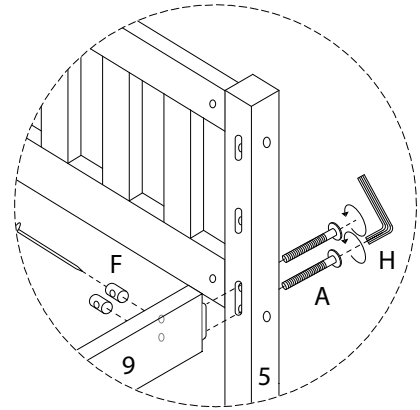
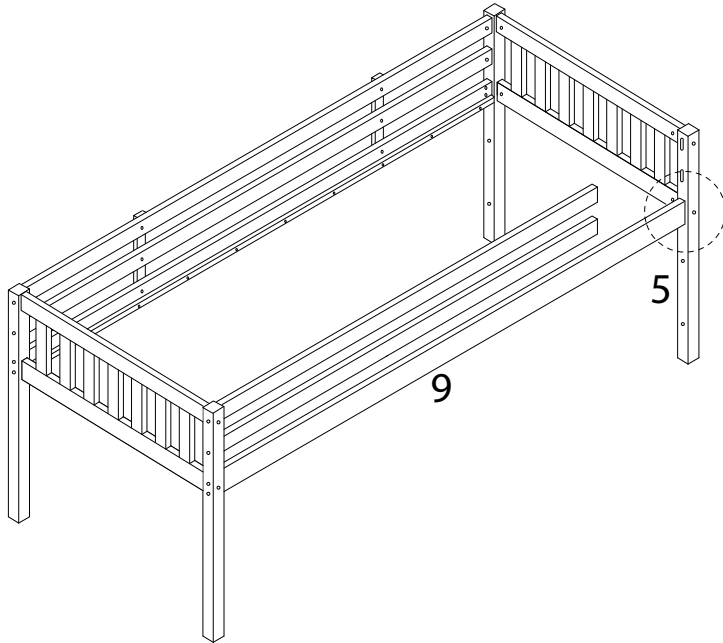
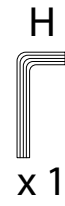
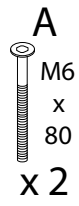
3



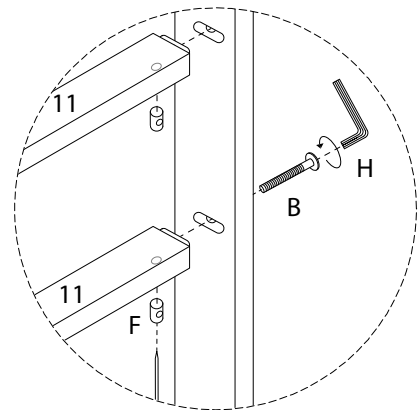
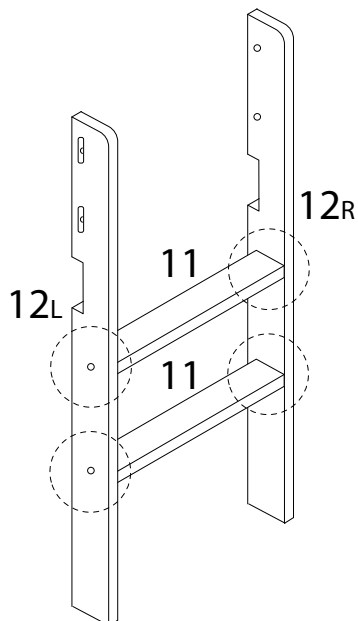
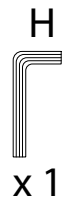
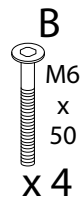
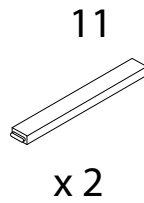
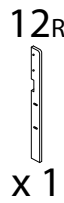
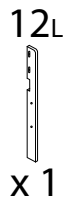
4



5



6

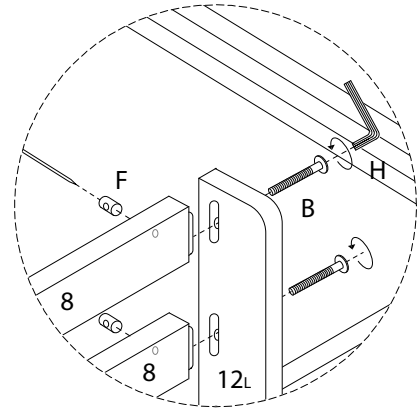
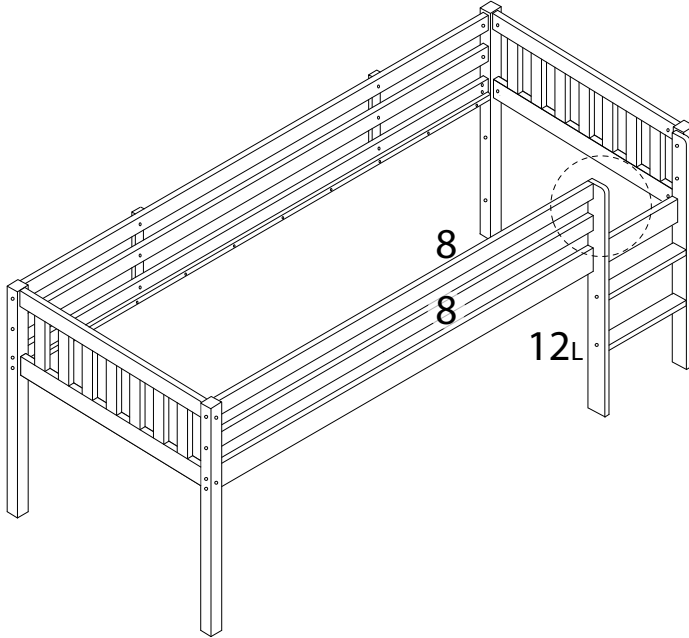


7

B
M6
x
50
x 2

F
x 2

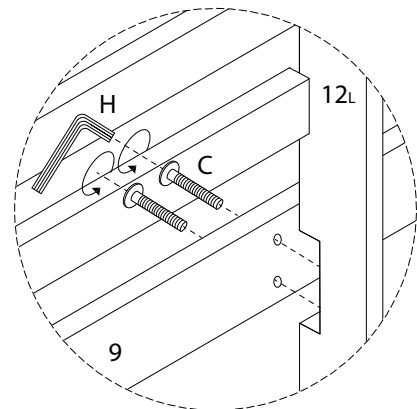
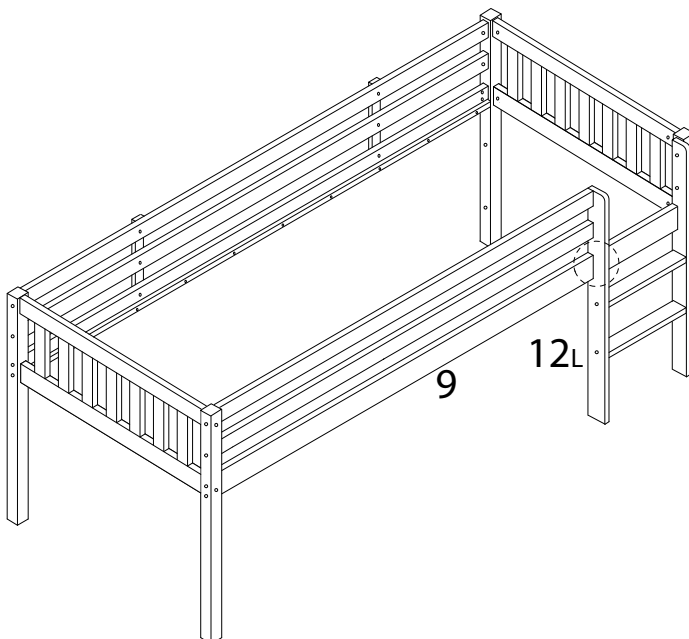
H
x 1



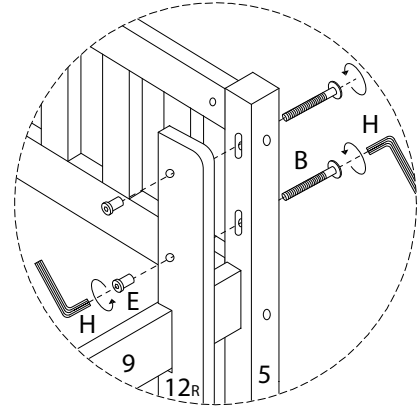
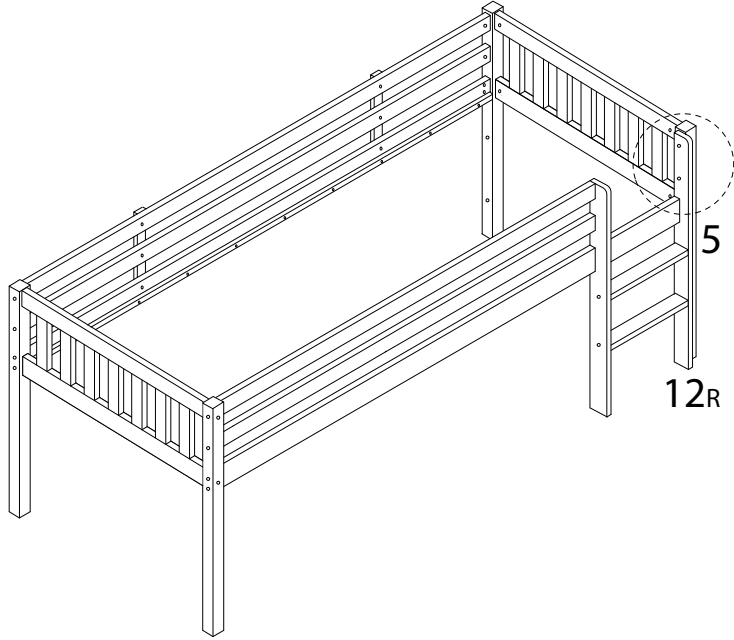
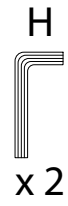
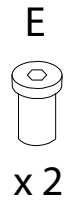
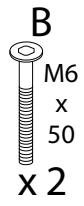
8

C
M6
x
40
x 2

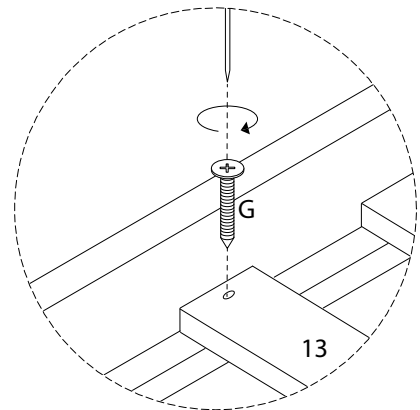
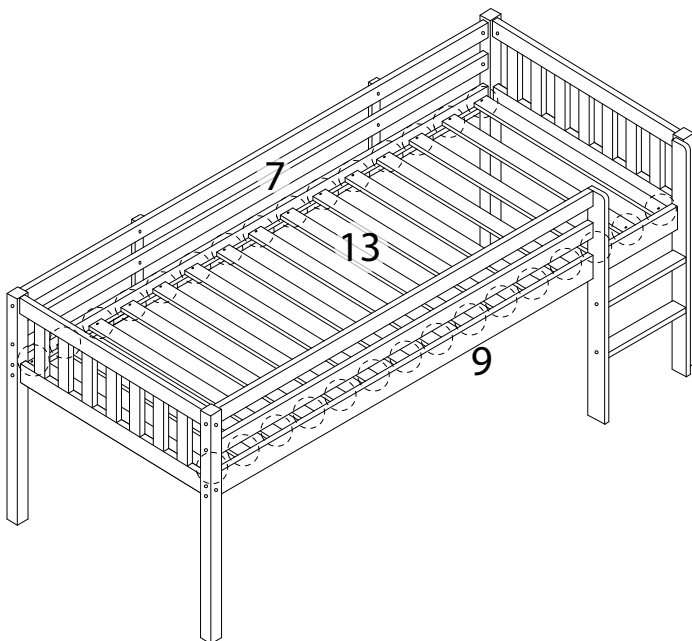
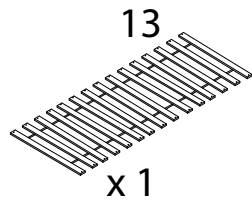
H
x 1



9



10



11

I



x 24

