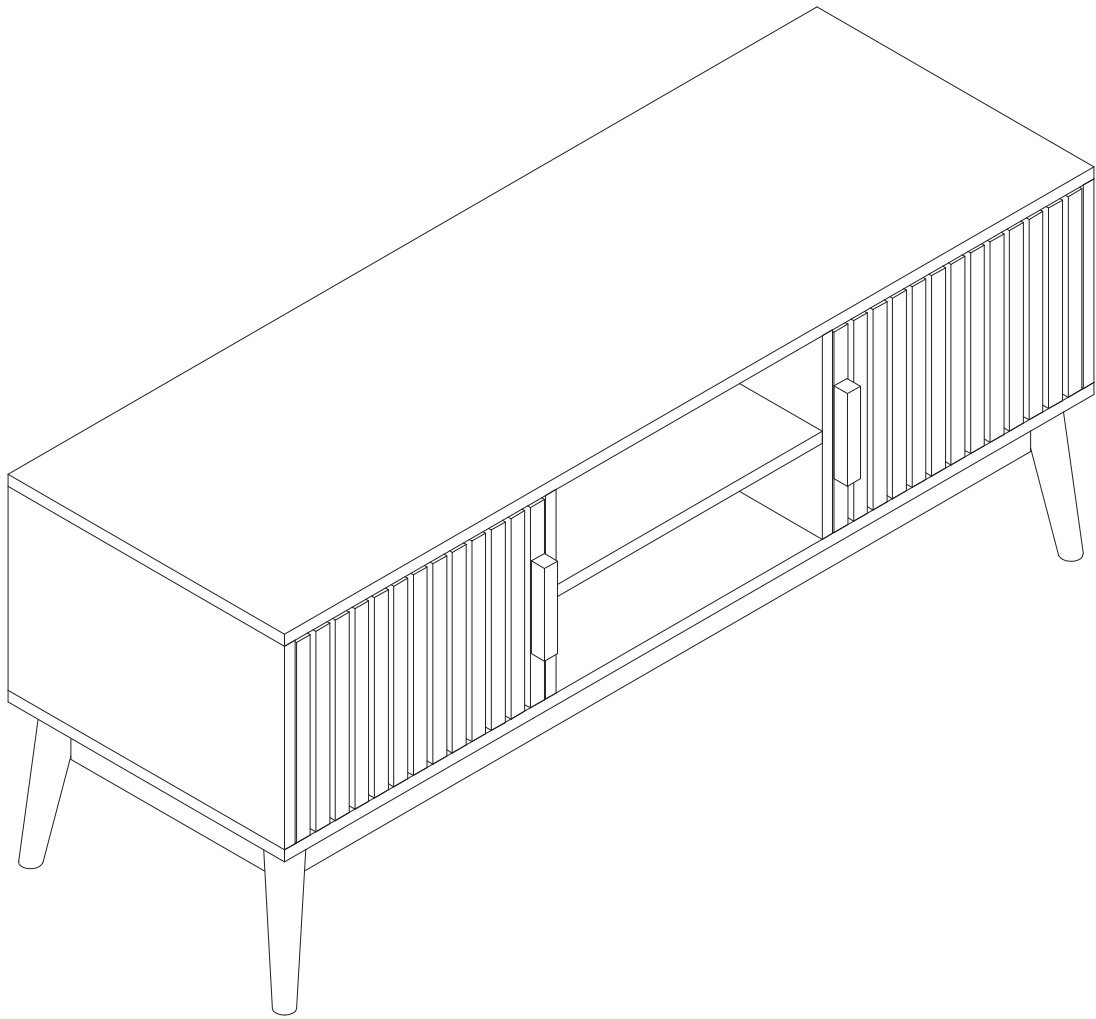
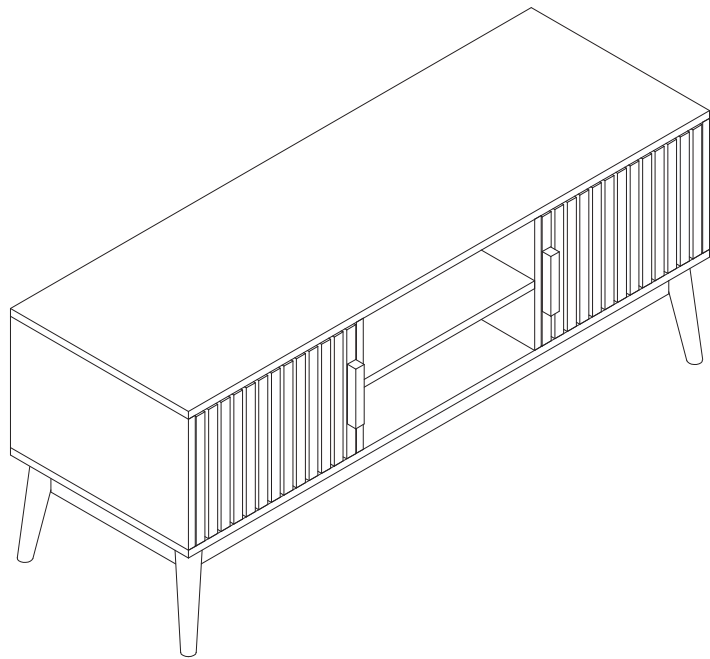


LYNWOOD



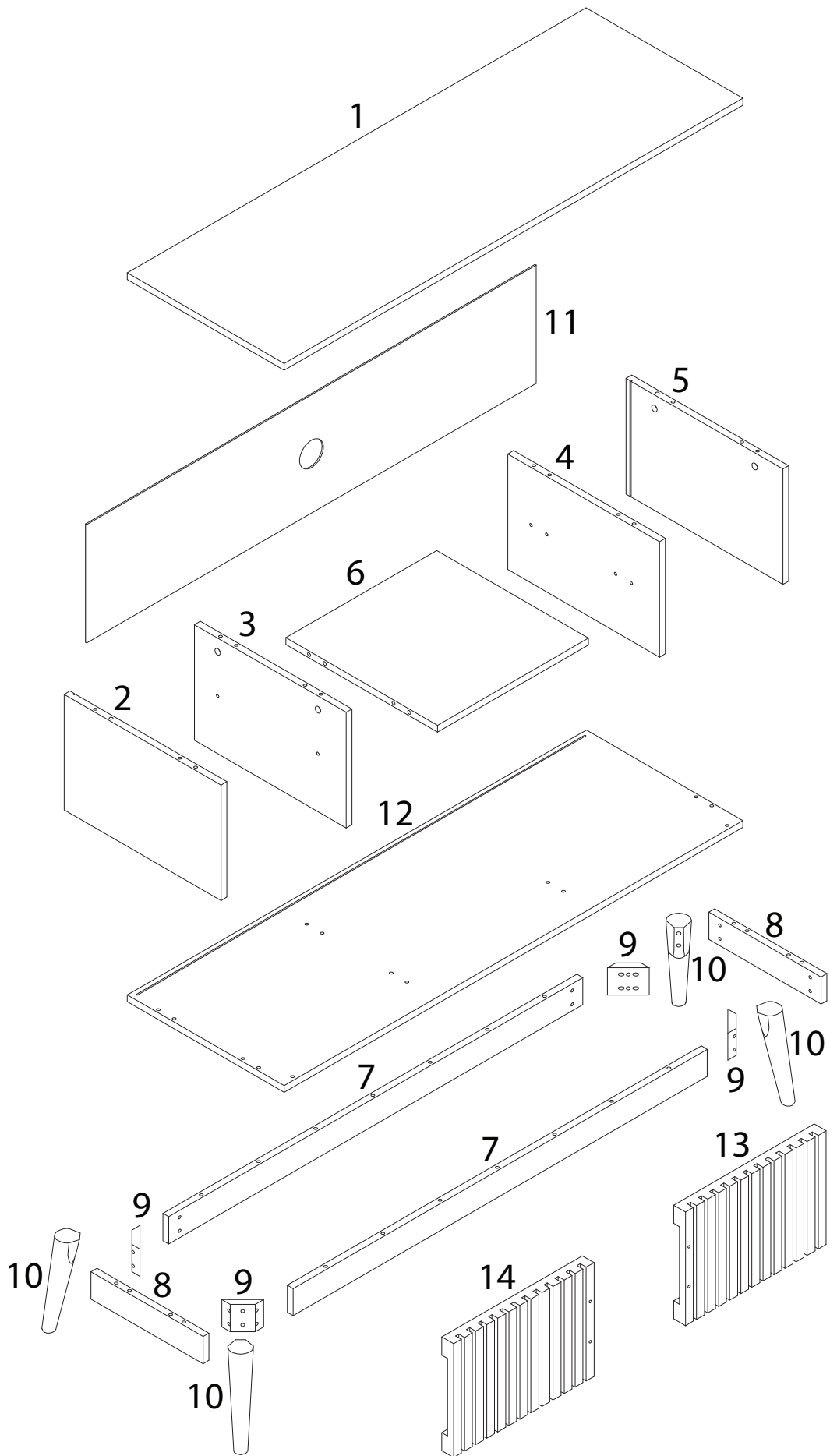


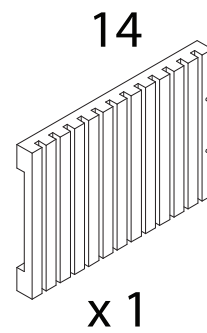
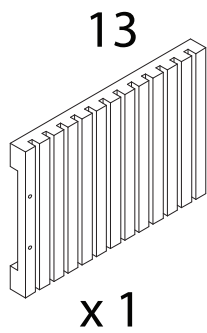
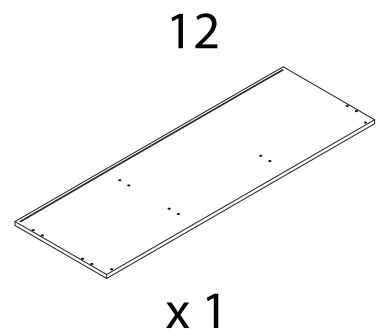
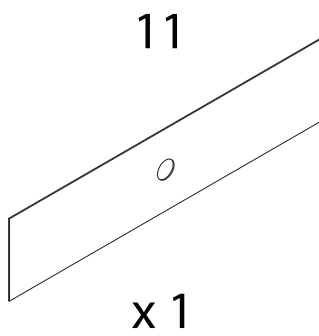
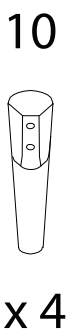
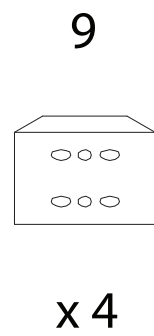
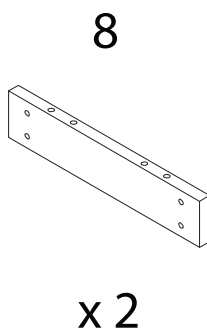
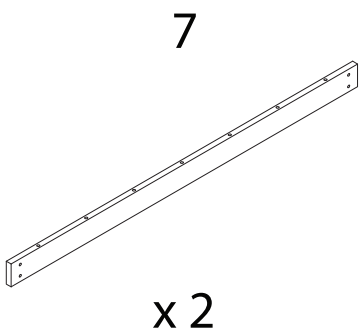
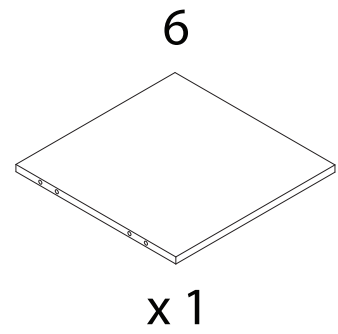
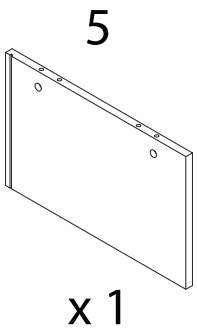
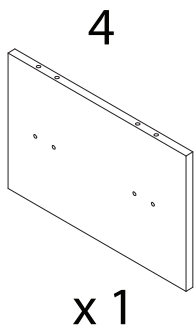
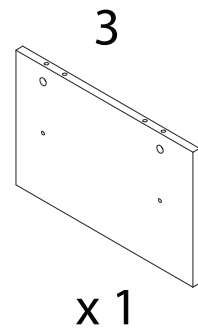
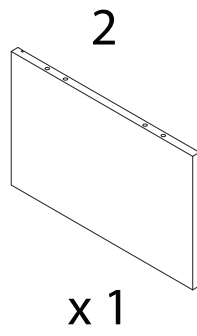
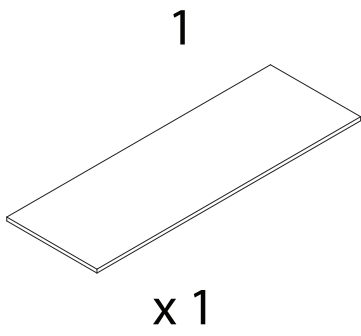
Assembly instructions for the TV console, including tool requirements, time estimate, and personnel needed.

Tools: A circle containing a screwdriver and an Allen key, and a crossed-out power drill icon, with a warning triangle above.

Time: A clock icon with the text "60'" below it.

Personnel: A person icon with the text "2" below it.



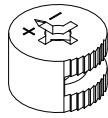


A



x 8

B



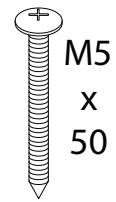
x 8

C



x 30

D



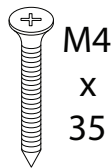
x 12

E



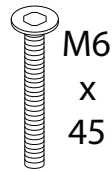
x 4

F



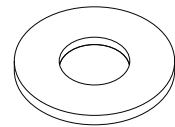
x 12

G



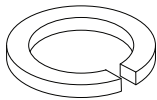
x 8

H



x 8

J



x 8

K



x 16

L



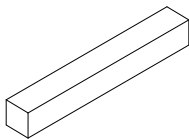
x 8

M



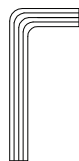
x 8

N



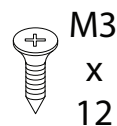
x 2

O



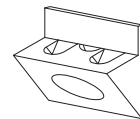
x 1

P



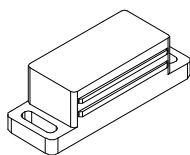
x 4

Q



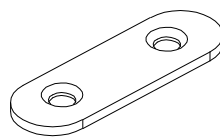
x 4

R



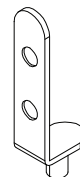
x 2

S



x 2

U



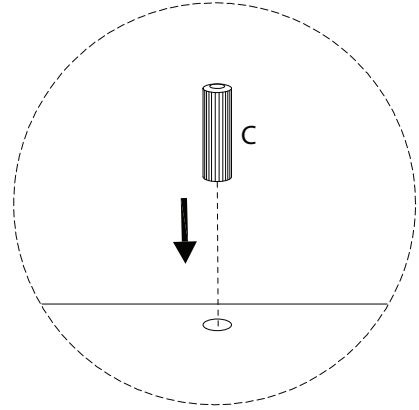
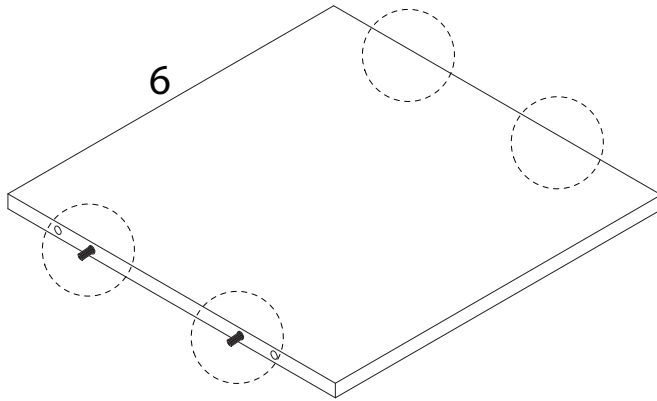
x 4

1

C

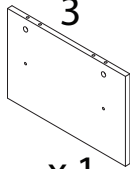


x 4



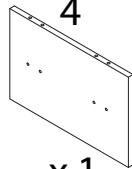
2

3



x 1

4

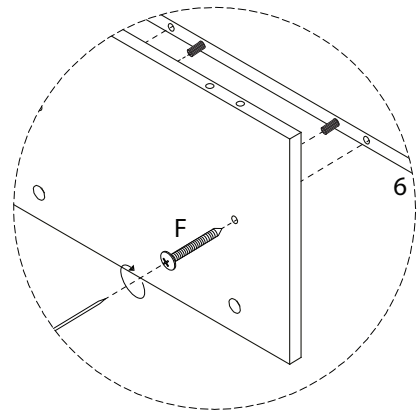
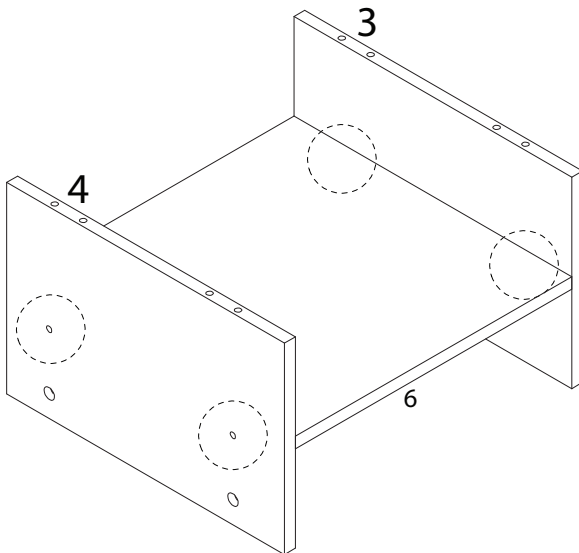


x 1

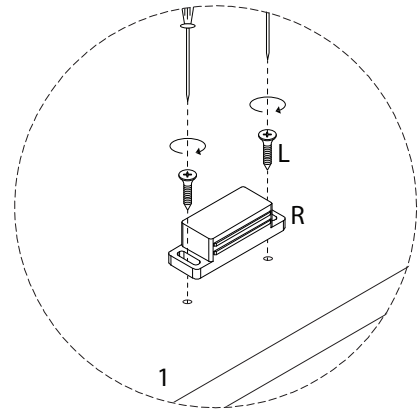
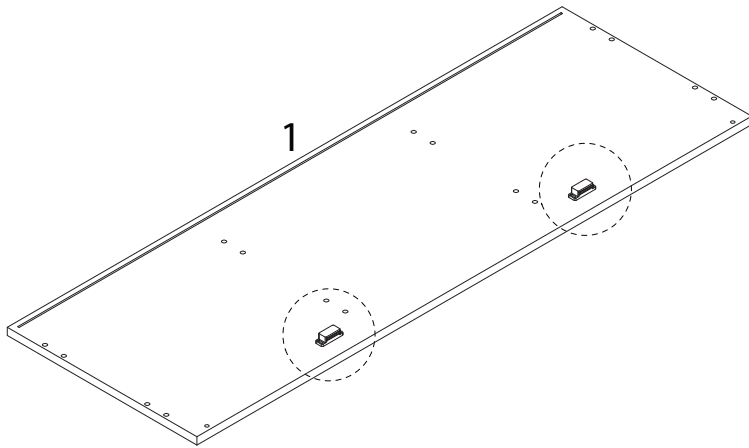
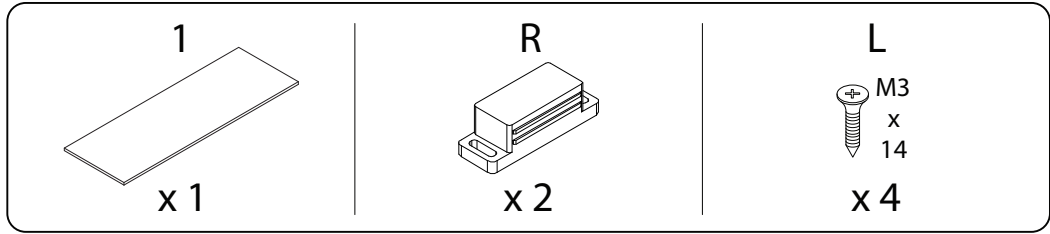
F



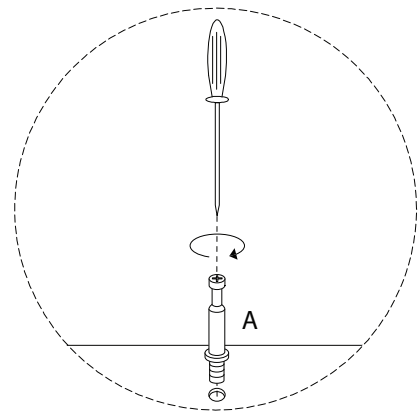
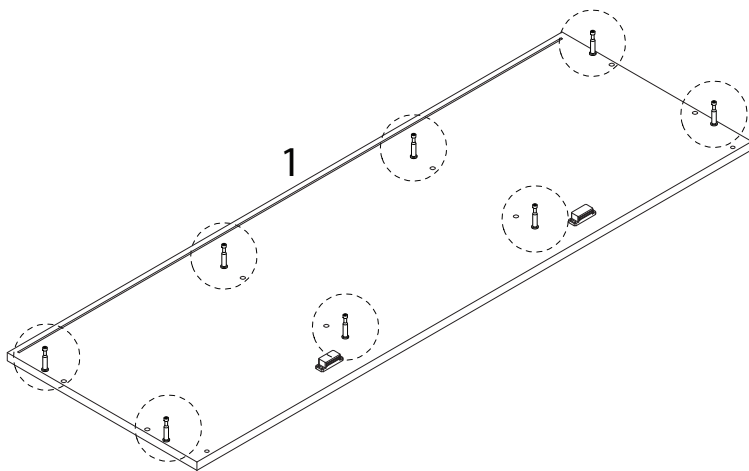
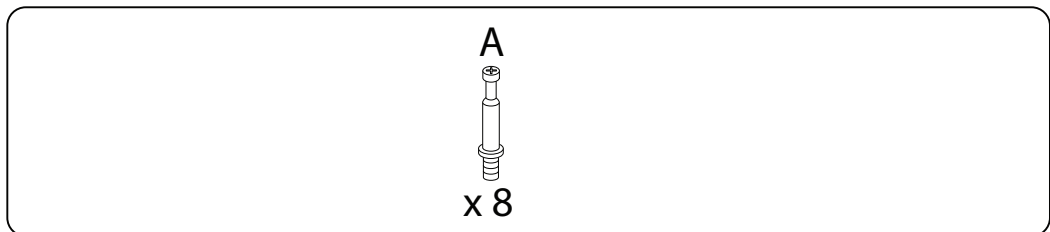
M4
x
35
x 4



3



4

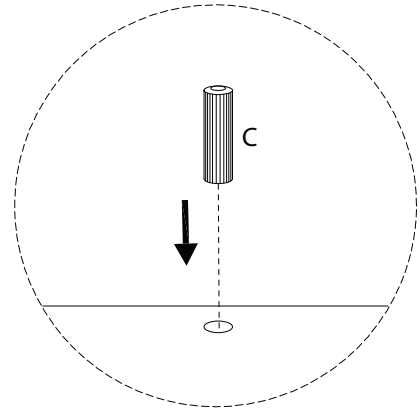
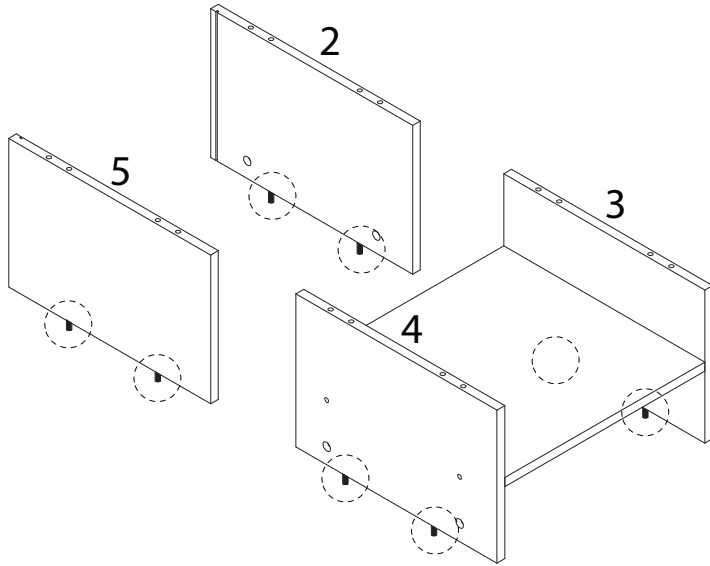


5

C



x 8

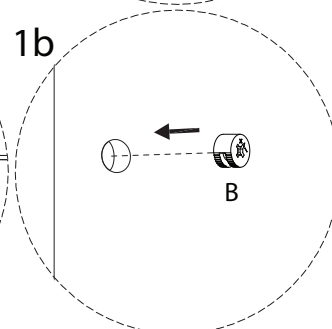
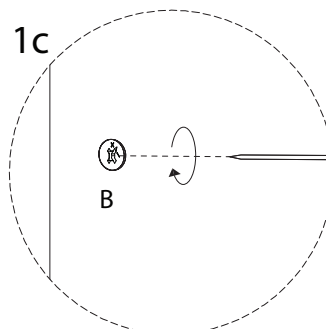
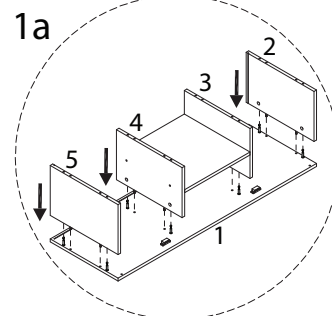
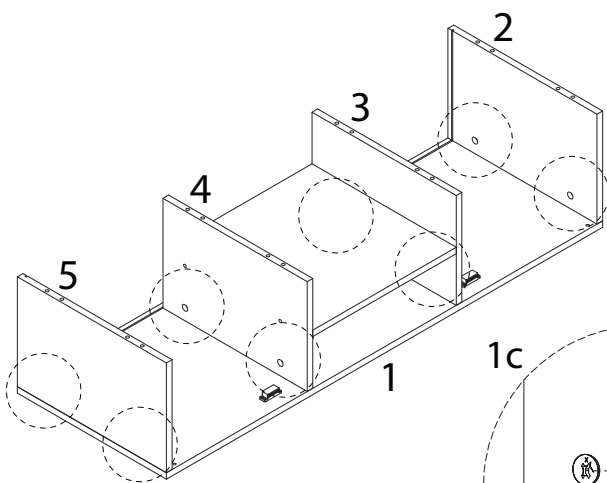


6

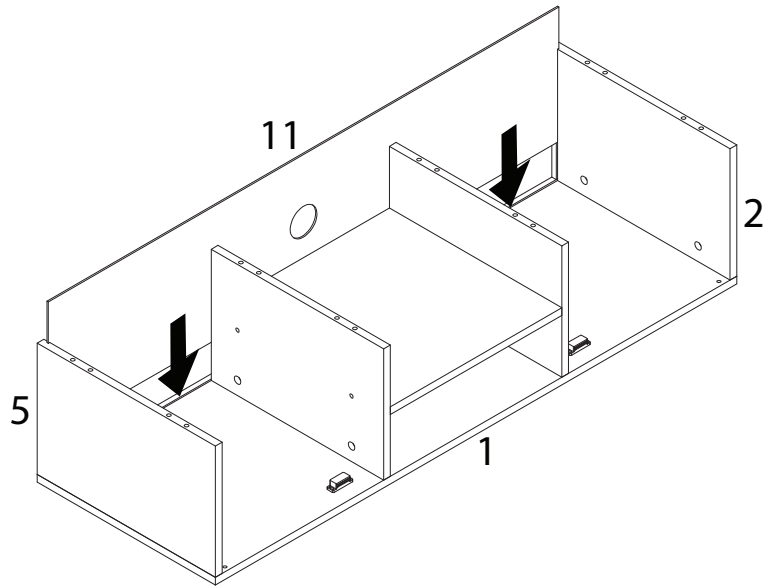
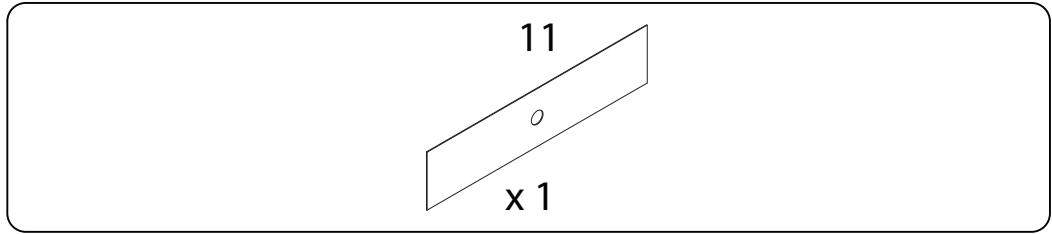
B



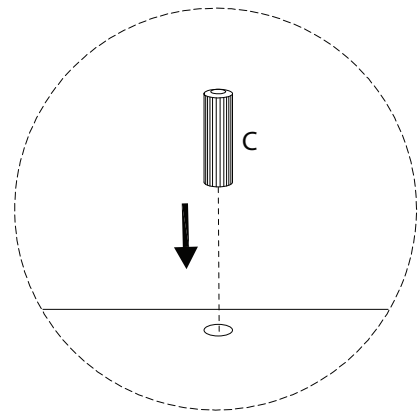
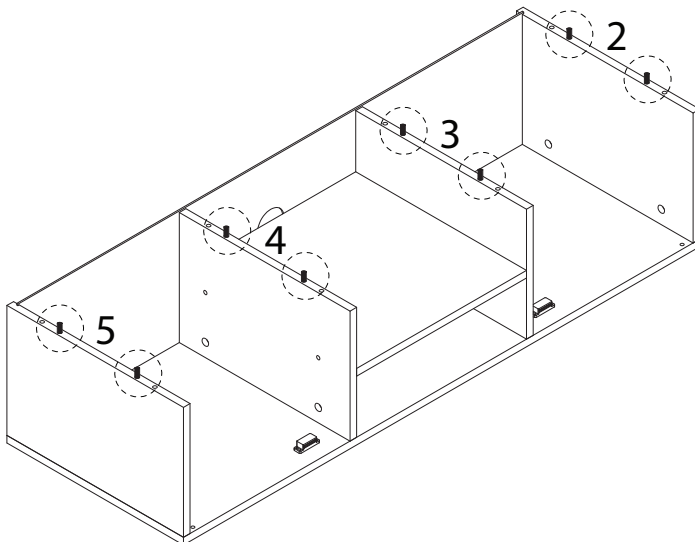
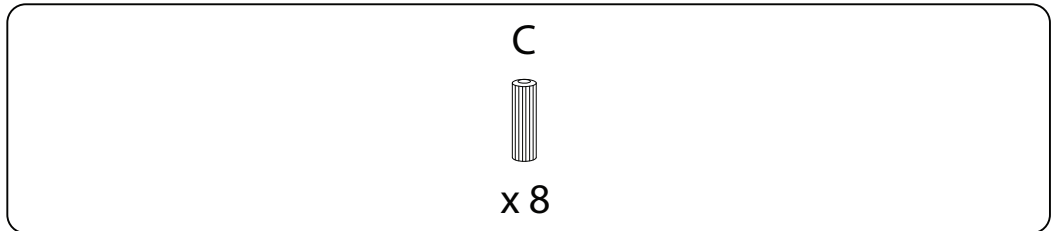
x 8



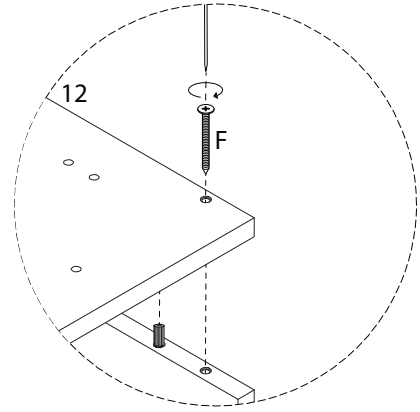
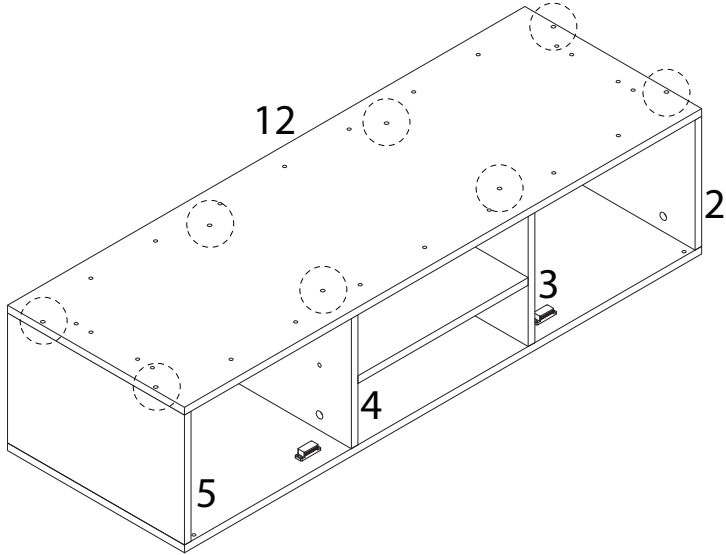
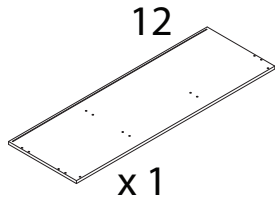
7



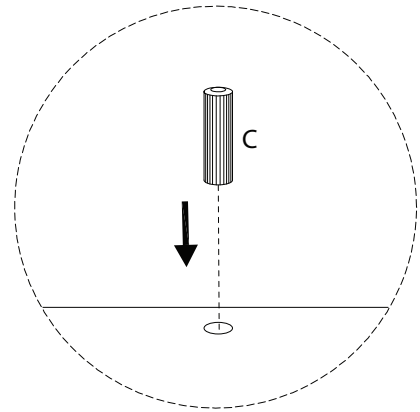
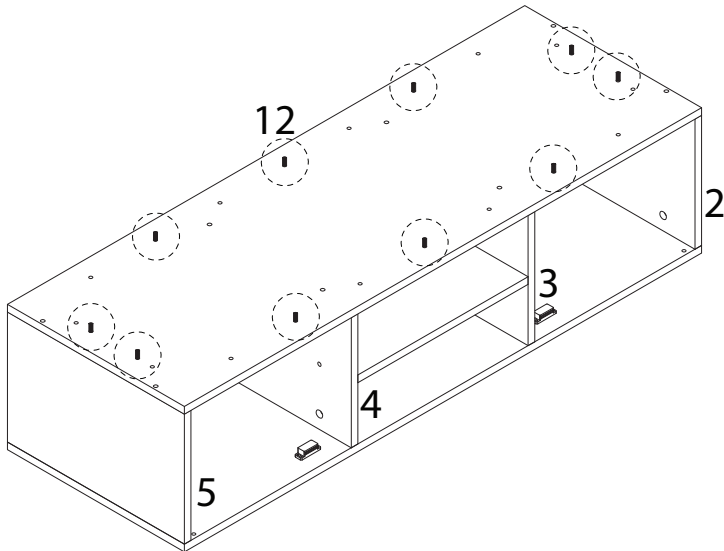
8



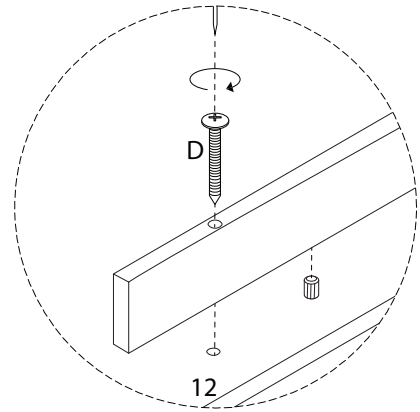
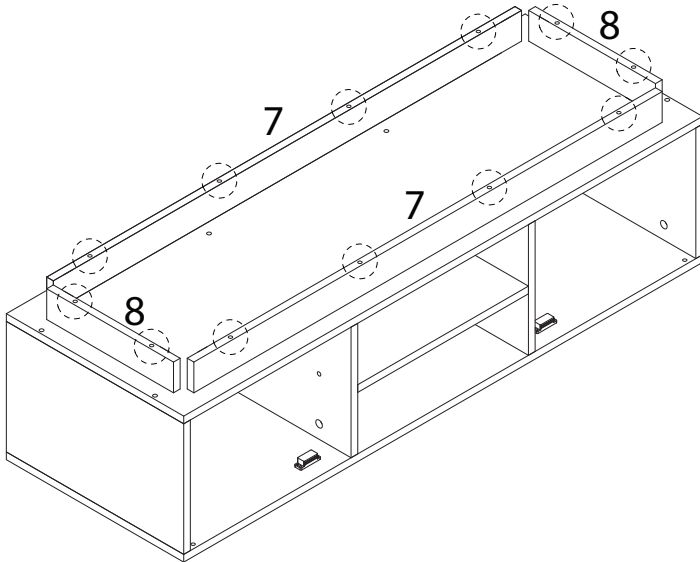
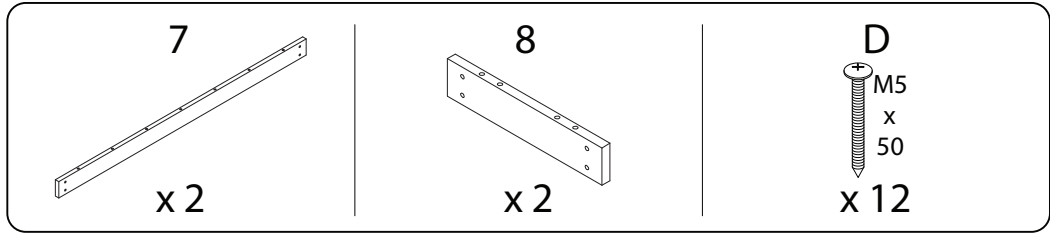
9



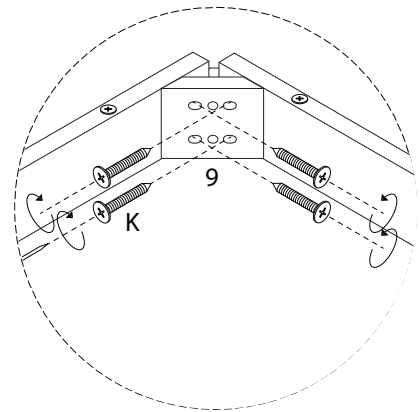
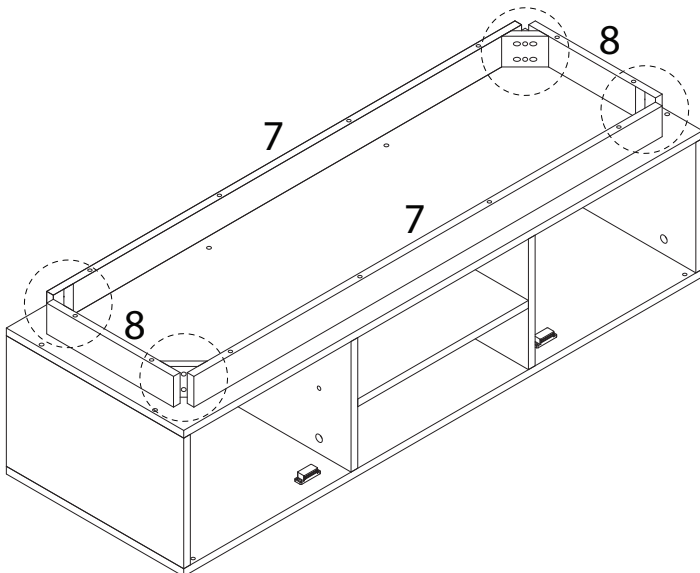
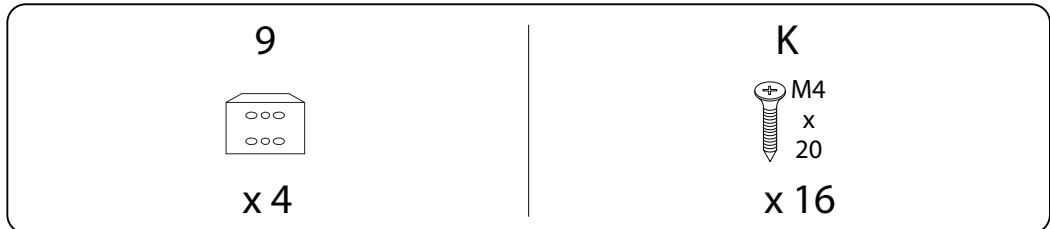
10



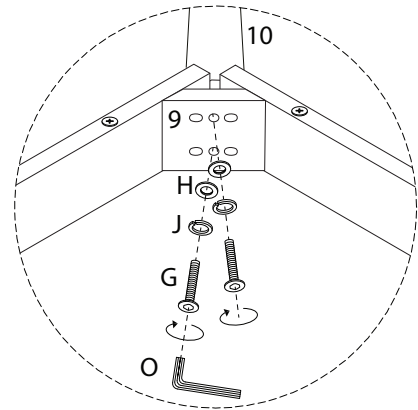
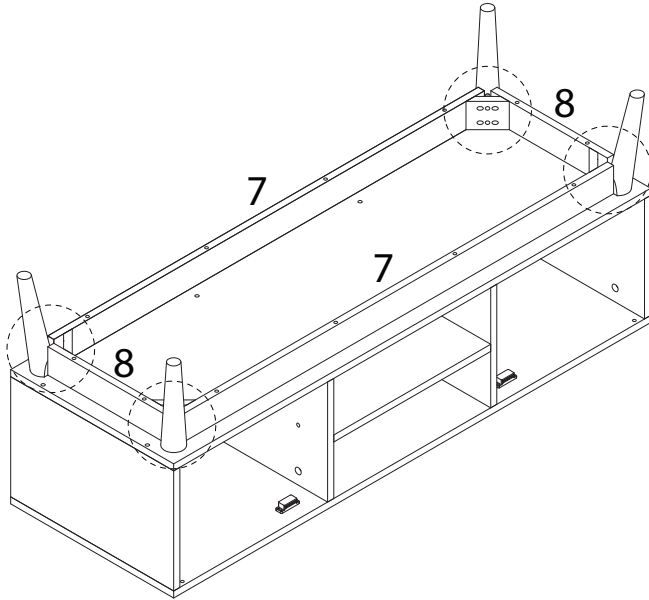
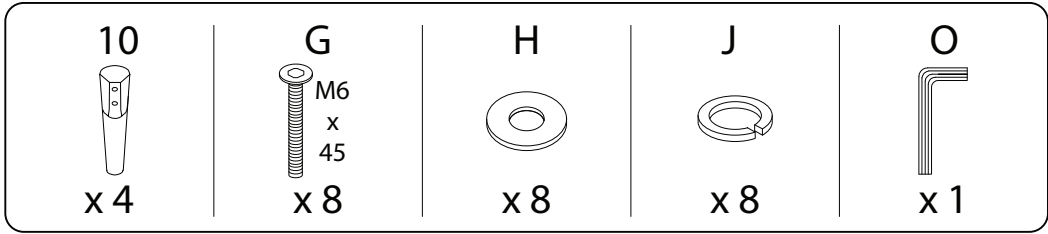
11



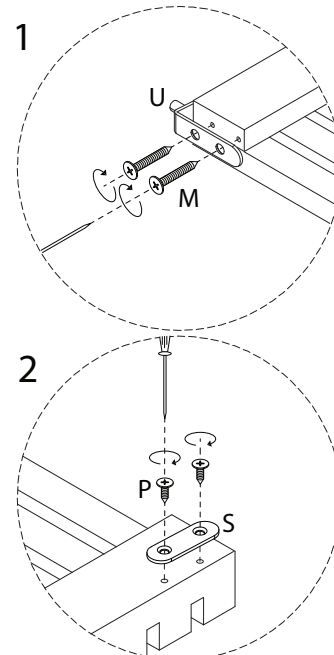
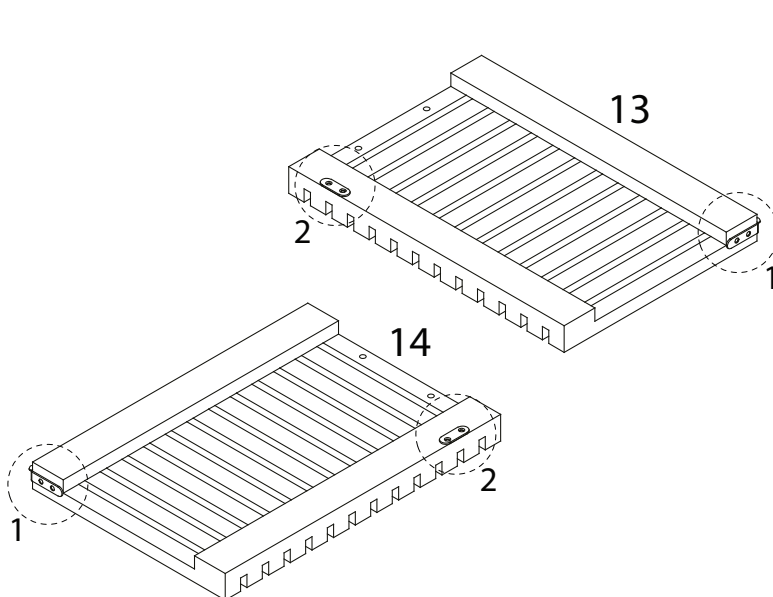
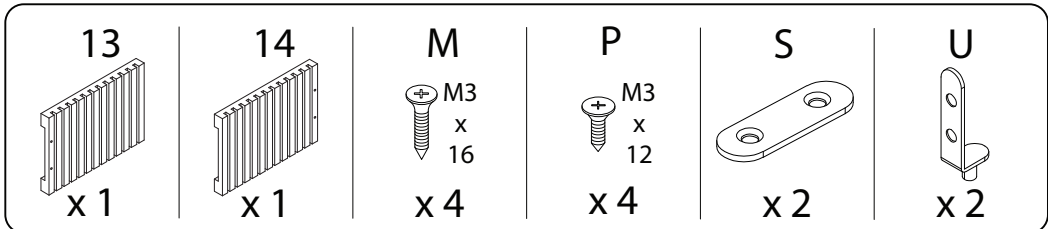
12



13



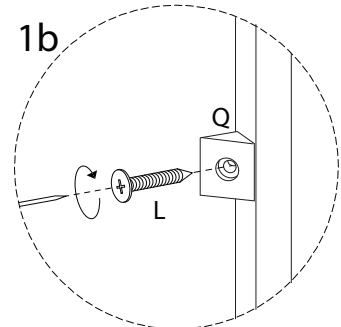
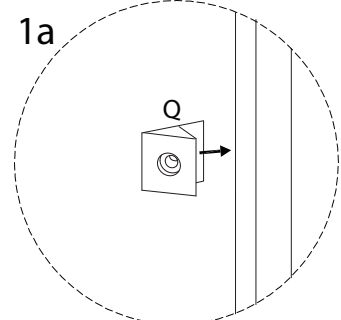
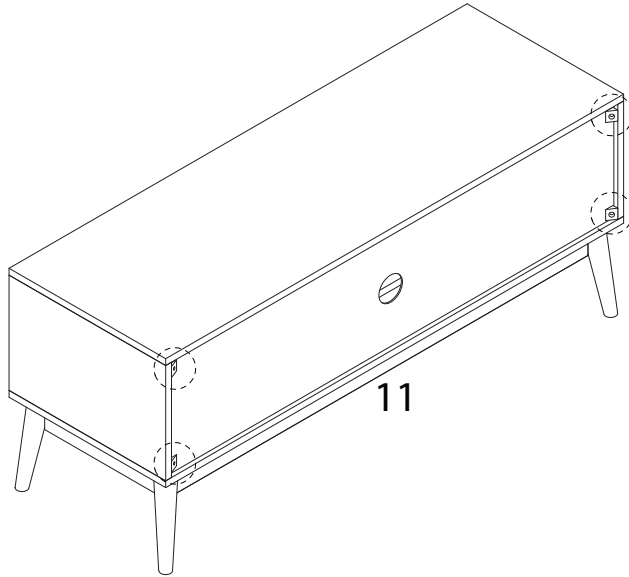
14



15

L
M3
x
14
x 4

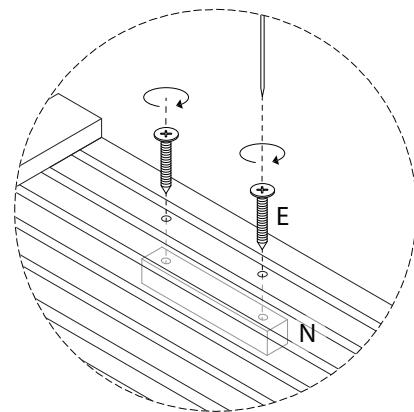
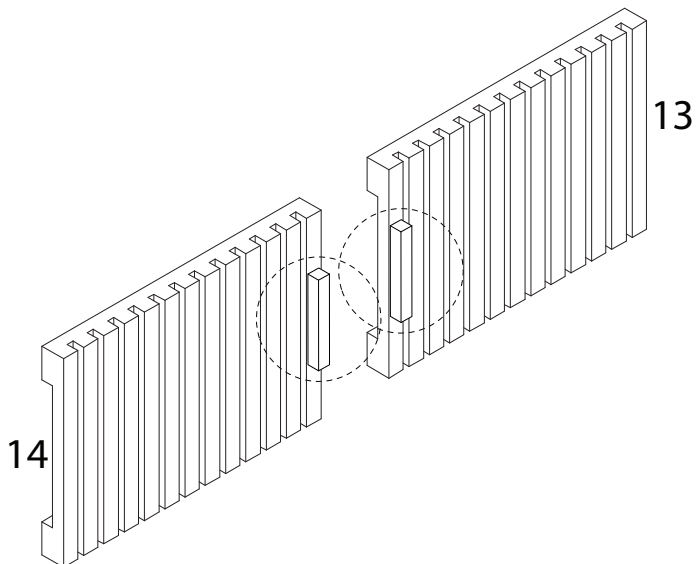
Q
x 4



16

N
x 2

E
M4
x
25
x 4



17

