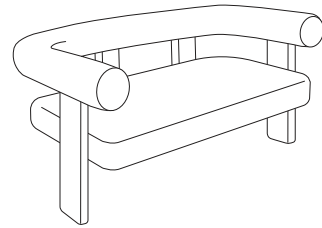
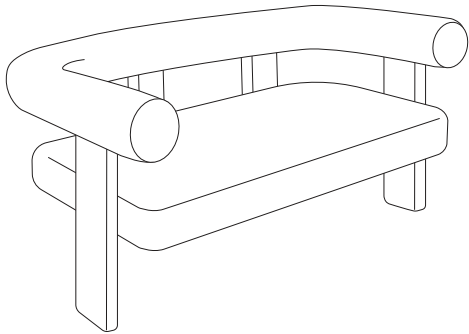


# ILBRO



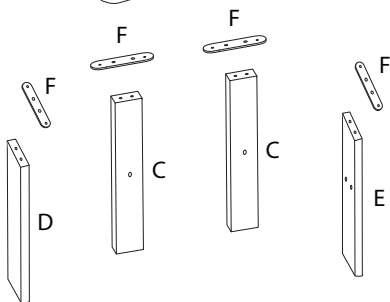
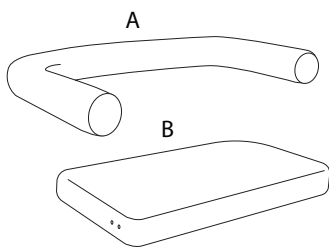
20'

2

1/4

2533/ILBRO/280325/

|          |          |          |          |          |          |
|----------|----------|----------|----------|----------|----------|
| <b>A</b> | <b>B</b> | <b>C</b> | <b>D</b> | <b>E</b> | <b>F</b> |
|          |          |          |          |          |          |
| x 1      | x 1      | x 2      | x 1      | x 1      | x 4      |



|          |          |          |          |          |          |
|----------|----------|----------|----------|----------|----------|
| <b>G</b> | <b>H</b> | <b>I</b> | <b>J</b> | <b>K</b> | <b>L</b> |
|          |          |          |          |          |          |
| x 8      | x 8      | x 6      | x 6      | x 4      | x 1      |

**1**

|          |          |          |          |          |          |
|----------|----------|----------|----------|----------|----------|
| <b>C</b> | <b>D</b> | <b>E</b> | <b>F</b> | <b>G</b> | <b>L</b> |
|          |          |          |          |          |          |
| x 2      | x 1      | x 1      | x 4      | x 8      | x 1      |

**2**

|          |
|----------|
| <b>K</b> |
|          |
| x 4      |

**1a**

**1b**

